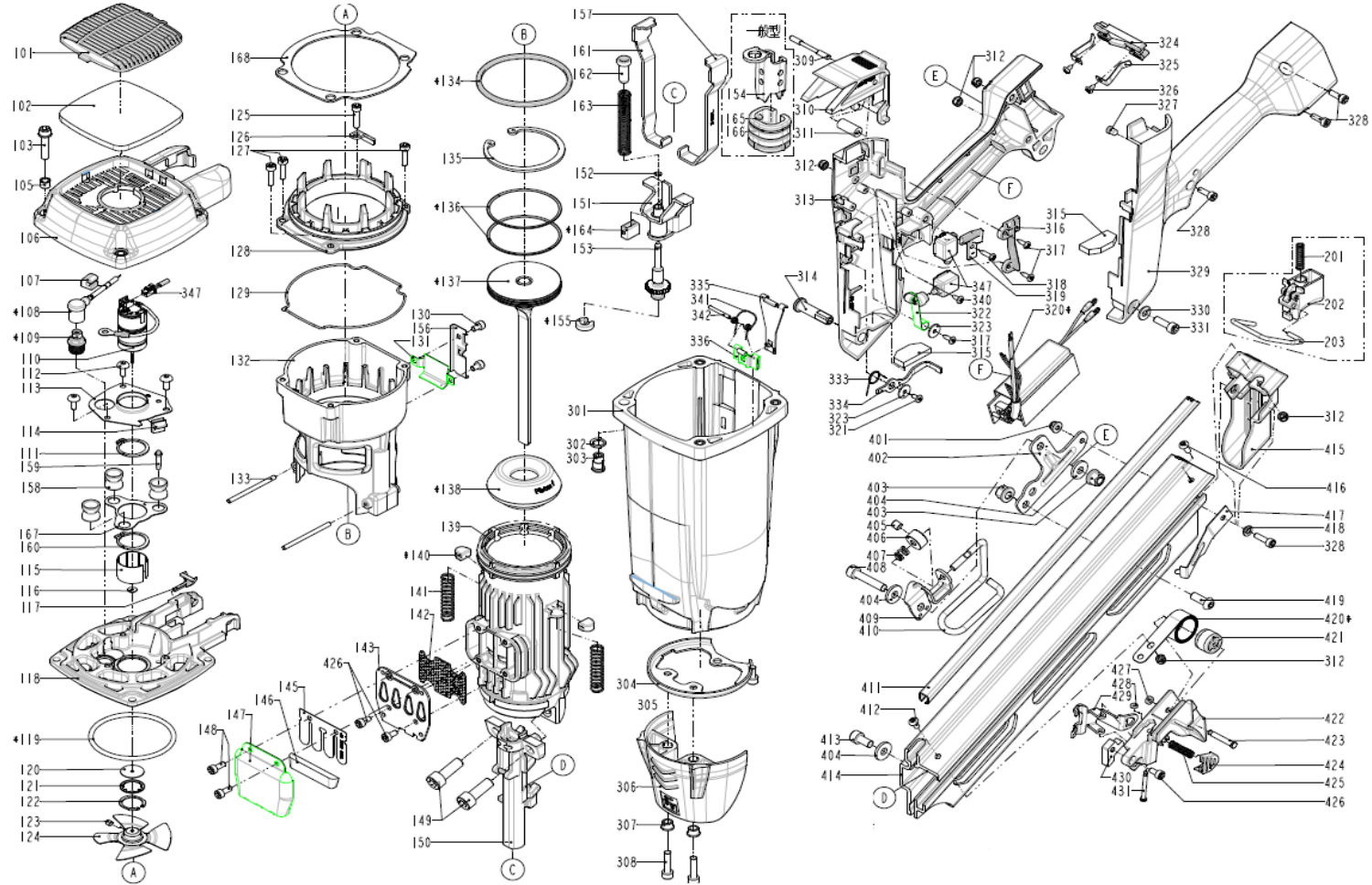


Nail gun ESSVE FNG 34/90 G2



Nail gun ESSVE FNG 34/90 G2

| Pos | Art. Nr. | Name | Pos | Art. Nr. | Name | Pos | Art. Nr. | Name | Pos | Art. Nr. | Name |
|-----|---------------|----------------------------|-----|---------------|----------------------------|-----|---------------|-----------------------------|--------|---------------|------------------------|
| 101 | | DEFLECTOR | 141 | | SAFETY SPRING | 310 | | FUEL ACTUATOR | 410 | | SPRING RETAINER |
| 102 | | FILTER UNIT | 142 | 1139W11500012 | EXHAUST MESH PLATE | 311 | | BUSH-FUEL ACTUATOR | 411 | | STEEL CHANNEL |
| 103 | | BOLT W/FLAT WASHER | 143 | | EXHAUST BAFFLE | 312 | | LOCK NUT | 412 | | HALF ROUND HD.HEX.BOLT |
| 105 | | COLLOR | 145 | 1139X11500012 | REED VALVE | 313 | | HANDLE A UNIT | 413 | | HEX.SOC.HD.BOLT |
| 106 | | CAP | 146 | | CLEANER | 314 | | HANDLE BOLT | 414 | | MAGAZINE A |
| 107 | | RAFT HOOK BRACKET | 147 | | DEFLECTOR | 315 | | SPACER | 415 | | PROTECTING HOOD COVER |
| 108 | 1121611500013 | HIGH VOLTAGE CABLE SET | 148 | | HEX.SOC.HD.BOLT | 316 | | BRACKET UNIT | 416 | | HALF ROUND HD.HEX.BOLT |
| 109 | 1120D11547011 | SPARKLER | 149 | | HEX.SOC.HD.BOLT | 317 | | SELF TAPPING BOLT | 417 | | STOP NAIL PLATE |
| 110 | | MOTOR UNIT | 150 | | NOSE PIECE | 318 | | SELF TAPPING BOLT | 418 | | GASKET |
| 111 | | S - RING | 151 | | SAFETY B UNIT | 319 | | WIRE GUIDE B | 419 | | HALF ROUND HD.HEX.BOLT |
| 112 | | HALF ROUND HD.HEX.BOLT | 152 | | SELF-LOCKING EXTERNAL NUTS | 320 | | PCB ASSEMBLY | 420 | | SPRING |
| 113 | | POSITIONING SHEET | 153 | | ADJUST AXIE UNIT | 321 | | SELF TAPPING BOLT | 421 | | ROLLING ELEMENT |
| 114 | | GROUND WIRE BRACKET | 154 | 1133111547071 | SAFETY A | 322 | | MOTOR FAN SWITCH LEVER UNIT | 422 | | PROTECTING HOOD COVER |
| 115 | | SLEEVE MOTOR | 155 | | RING | 323 | | FLAT WASHER | 423 | | ROLL PIN |
| 116 | | WASHER-MOTOR SHAFT | 156 | | PUSHING | 324 | | BATTERY NODE BRACKET | 424 | | GLOVE |
| 117 | 113A611511013 | FUEL STEM ADAPTER | 157 | | SAFETY C(LEFT) | 325 | | BATTERY NODE | 425 | | SPRING |
| 118 | | END CAP-COMBUSTION CHAMBER | 158 | | FEED BUMPER | 326 | | TAP BOLT | 426 | | HEX.SOC.HD.BOLT |
| 119 | | O - RING | 159 | | POSITIONING SHAFT | 327 | | LED COVER | 427 | 1135H07900011 | PU RETAINER |
| 120 | | SEAL | 160 | | S - RING | 328 | | HEX.SOC.HD.BOLT | 428 | 1131D04600011 | URETHANE RETAINER |
| 121 | | SEAL PLATE-MOTOR | 161 | | SAFETY C(RIGHT) | 329 | | HANDLE B UNIT | 429 | | PUSHER |
| 122 | | IN-CONCENTRIC RING | 162 | | SAFETY ROD | 330 | | FLAT WASHER | 430 | | SQUARE UNITS |
| 123 | 2040104020105 | HEX.SOC.HD.SCREW | 163 | | SAFETY SPRING | 331 | | HEX.SOC.HD.BOLT | 431 | | TRIGGER PIVOT PIN |
| 124 | 1120C11500012 | COOLING FAN ASSEMBLY | 164 | | FEED BUMPER | 333 | | SPRING A | | | |
| 125 | | HEX.SOC.HD.BOLT | 165 | | PROTECTIVE CASING | 334 | | LINK ROD | | | Service kits: |
| 126 | | GUIDE | 166 | | FIXED RING | 335 | | STOPPER | 901091 | | Service kit |
| 127 | | HEX.SOC.HD.BOLT | 167 | | SPACER | 336 | | STOPPER SPRING | 901093 | | Driver kit |
| 128 | | UPPER COMBUSTION CHAMBER | 168 | | SPACER | 340 | | SELF TAPPING BOLT | 901095 | | Feeding kit |
| 129 | | PACKING | 201 | | SPRING | 341 | | SPRING | 901127 | | Motor unit |
| 130 | | HEX.SOC.HD.BOLT | 202 | | TRIGGER UNIT | 342 | | SPRING PIN | 901131 | | No mark set |
| 131 | | WASHER | 203 | | SAFETY | 347 | 1122B11500011 | MOTOR CABLE | 901129 | | Electric unit |
| 132 | | COMBUSTION CHAMBER | 301 | | GUN BODY | 401 | | BOLT CAP | 901133 | | Battery |
| 133 | | PIN | 302 | | WASHER CAP | 402 | | BRACKET UNIT | 901135 | | Charger+adapter |
| 134 | | O-RING | 303 | | CAP NUT | 403 | | BOLT CAP | | | |
| 135 | | C - RING | 304 | | CYLINDER BRACKET | 404 | | FLAT WASHER | | | |
| 136 | | PISTON RING | 305 | | HEX.SOC.HD.BOLT | 405 | | HEX.SOC.HD.SCREW | | | |
| 137 | | DRIVER UNIT | 306 | | SAFETY COVER | 406 | | POSITIONING AXIS | | | |
| 138 | | BUMPER | 307 | | WASHER-NOSE COVER | 407 | | SPRING RETAINER | | | |
| 139 | | CYLINDER | 308 | | HEX.SOC.HD.BOLT | 408 | | HEX.SOC.HD.BOLT | | | |
| 140 | | BUMPER-COMBUSTION CHAMBER | 309 | | PIN-FUEL ACTUATOR | 409 | | RAFT HOOK BRACKET | | | |

