

SPIT wiring accessories



PERFORATED STRIP, TEXTILE STRIP & METAL CLIP

Using only for fixing on floor.

→ Perforated strip

- 12 mm x 10 m: 056562
- 17 mm x 10 m: 056561

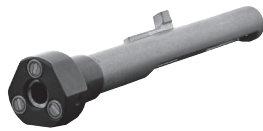


→ Metal P-Clip, Ø 16, Ø 20, Ø 25, Ø 32.



Possible to use with C9 pins

→ Magnetic nose piece

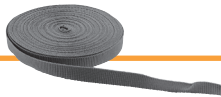


Pin selection guide

PERFORATED STRIP AND METAL CLIP	C6-20	C6-25	C6-30	HC6-15	HC6-17	HC6-22	HC6-27
Concrete C20/25	●	●			●	●	
Concrete C30/37	●				●		
Concrete C40/50				●	●		
Prestressed / Prefabricated concrete				●	●		
Solid brick		●				●	
Hollow brick rendered		●				●	
Hollow concrete block		●				●	
Calcium silicate block		●				●	
Steel				●			

TEXTILE STRIP

- 15 x 1,1 L 10 M



P-CLIP FOR CONDUIT, PIPEWORK, HOT AND COLD PIPING

→ Description for P-CLIP simple:

- Cables: Ø mini 16 – Ø maxi 25
- RNC and rigid conduits: Ø16 – Ø20 – Ø25

→ Description for P-CLIP double:

- Cables: Ø mini 16 – Ø maxi 20
- RNC and rigid conduits: Ø16 – Ø20

→ Raw material: Polypropylen

→ Color: Grey, RAL 7035

→ Burning properties: Incandescent wire test according to CEI 695-2-1/2.: 650 °C passed

→ Installation temperature: T°C: -5 °C / +35 °C

→ Working temperature: T°C: -30 °C / +60 °C

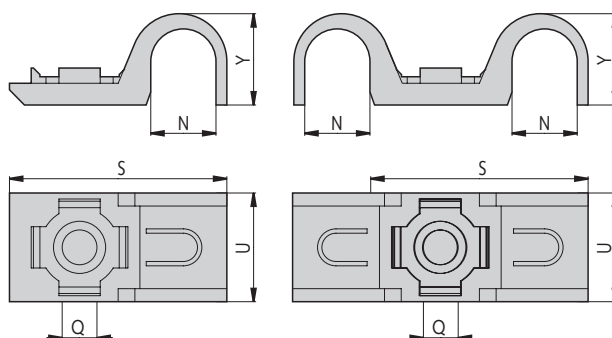


Pin selection guide

P-CLIP	C6-20	C6-25	C6-30	HC6-15	HC6-17	HC6-22	HC6-27
Concrete C20/25		●	●			●	●
Concrete C30/37		●			●	●	
Concrete C40/50					●	●	
Prestressed / Prefabricated concrete					●	●	
Solid brick		●	●			●	●
Hollow brick rendered		●	●			●	●
Hollow concrete block		●	●			●	●
Calcium silicate block		●	●			●	●
Steel				●	●		

Tool: P800E

SPIT P-CLIP	N	S	Y	Q	U	code
P-CLIP 16	16	52	20.5	8	25	567206
P-CLIP 20	20.0	54	25.0			565082
P-CLIP 25	24.7	59.8	30.6			567208
P-CLIP 16x16	16.2	68.3	20.5			567209
P-CLIP 20x20	20.0	78.4	25.0			565086



SPIT wiring accessories



RECOMMENDED LOAD AND DISPLACEMENT

Accessories	Failure load (kN)	Displacement at the failure load (mm)	Recommended load (kN) for a displacement equal to 1 mm for accessories $N_{rec} (d = 1 \text{ mm})$
Metal P-CLIP	0.30	13 mm	0.07
TIE-CLIP	0.30	4 mm	0.10
P-CLIP simple	0.22	10 mm	0.03
P-CLIP double	0.10	9 mm	0.06
CLIPLEC	0.60	22 mm	0.20
E-CLIP	0.04	1 mm	0.04
Single cable bows	0.10	16 mm	0.025
Double cable bows	0.16	16 mm	0.04
Drywall track	1.0	-	0.20
Wood sole plate with thickness 27 mm	1.2	-	0.16

Check that the embedment depth is adapted to the recommended load requested for the accessories.