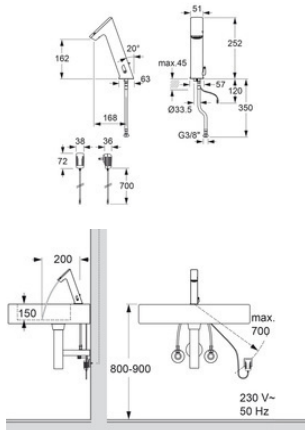


ultra lavatory faucet GH10, EXPERT, IR-sensor, temp. mixing, solar, without drain assembly, chrome



Touchless, electronically controlled lavatory faucet:

- Continuous water flow via integrated piezo button
- Modular single-piece design without separate installation box, sturdy metal housing, chromed
- LCD display: shows the temperature and water flow time
- Dual infrared sensors (with automatic setting feature), microprocessor
- Reliable solenoid valve ROBUST (minimal level of water pressure surge)
- Vandal-resistant aerator (replaceable with integrated tool)
- Hot and cold water supply connection with flexible high-pressure hose
- Check valves and built-in filters
- Adjustable hot water limitation (mechanically)
- Scald protection adjustable (mechanical)
- TwistStop: integrated automatic shut-off for facilitate replacing or cleaning the filter (no shut-off to angle valves required)
- One Tool Service / all system parts accessible from above
- 12 or 24-hour hygienic flush activatable with Touch
- Automatic energy saving function (solar) and safety shutdown
- Integrated battery unit
- Compatible with CNX and Service Monitor: control of stored operational data, settings and control functions

Electronics module: EXPERT, Integrated LCD for displaying temperature and water-flow time

Use: IR-sensor, contact-free activation

Mixture: temp. mixing, with mixing lever for temperature regulation

Power supply: solar, photovoltaic cell in combination with 4 x 1,5V Alkaline AA batteries (support batteries) commercial; life time up to 8 years

Drain assembly: without drain assembly

Colour: chrome

Operating pressure: 0,3-10 bar

Flow rate: Approx. 5,7 l/min / 1,5 gpm (3 bar)

Max. water temperature: 80 °C

Aerator: Aerator RC

Flexible hoses: 350 mm

Angle valve connection: G 3/8

Built-in filters: 0,5 mm mesh size

Sensor-sensitivity: Automatic self-adapting sensor technology

Follow-up time: 1 sec. pre-set (adjustable with Touch 0-10 sec.)

Continuous water flow and hygienic flush time: 2 min. pre-set (adjustable with Touch 0,5-20 min.)

Temporary-off: 2 min. (fixed)

Engineering standards: DIN EN 200;CE

Optional: Valve unit with multi laminar spray head 1,9 l/min / 0,5 gpm (see accessories)