

Overflow- / pressure control valves made of gunmetal, angled type or straight- through type with threaded connections –externally adjustable–

→ Series 617



■ MATERIAL



■ SPECIFICATION



3/8" – 2"



– 60°C to + 225°C  
depending on version



0,2 – 20 bar

■ SUITABLE FOR

Liquids	neutral and non-neutral	
Air, gases and vapours	neutral and non-neutral	
Steam		

■ EXAMPLES OF USE

For the protection of:

- pumps against overloading in closed circuits for neutral / non-neutral, non-sticking liquids

For the control of:

- systems under pressure for neutral / non-neutral gases and vapours and – depending on the sealing material – also for steam

- pump protection
- test rig construction
- process equipment construction
- shipbuilding industry and marine equipment
- de-icing technology
- mechanical engineering
- industrial applications

■ APPROVALS

European Pressure Equipment Directive

TR ZU 032/2013 - TR ZU 010/2011

Requirements

PED 2014/68/EU

Classification society

DNVGL	DNVGL
Lloyd's Register EMEA	LR EMEA
American Bureau of Shipping	ABS
Bureau Veritas	BV
Russian Maritime Register of Shipping	RS

■ MATERIALS

Component	Material	DIN EN	ASME
Inlet body	Gunmetal	CC499K	CC499K
Outlet body	Gunmetal	CC499K	CC499K
Internal parts	Brass	CW617N	CW617N
Spring	Stainless steel	1.4310	302

<b>t</b>	gastight version of spring housing	for neutral and non-neutral media, not counter pressure compensated. The environment is protected from being affected by the medium. Adjustable under operating conditions without medium escaping into the atmosphere.
<b>yt</b>	gastight version of spring housing Straight-through type body	for neutral and non-neutral media, not counter pressure compensated. The environment is protected from being affected by the medium. Adjustable under operating conditions without medium escaping into the atmosphere. <b>Only from DN 10 to DN 25.</b>

Valves can be delivered unset within a pressure range or set and sealed at the factory.

#### ■ MEDIUM

<b>GF</b>	gaseous and liquid	Air, vapours, gases, liquids and - depending on safety valve version and seal - also for steam
-----------	--------------------	--

#### ■ TYPE OF LIFTING MECHANISM

<b>0</b>	without lifting device
----------	------------------------

#### ■ AVAILABLE NOMINAL DIAMETERS AND CONNECTION SIZES

Nominal diameter DN	10		15		20		25		32		40		50	
Inlet	3/8" (10)		1/2" (15)		3/4" (20)		1" (25)		1 1/4" (32)		1 1/2" (40)		2" (50)	
Version	t	yt	t	yt	t	yt	t	yt	t	yt	t	yt	t	yt
<b>Outlet</b>	3/8" (10)	■	■											
	1/2" (15)			■	■									
	3/4" (20)					■	■							
	1" (25)							■	■					
	1 1/4" (32)									■				
	1 1/2" (40)										■			
	2" (50)													■

#### ■ TYPE OF CONNECTION INLET / OUTLET THREADED CONNECTIONS

<b>f / f</b>	Standard	Female thread BSP-P / Female thread BSP-P	DIN EN ISO 228-1 / DIN EN ISO 228-1
--------------	----------	---	-------------------------------------

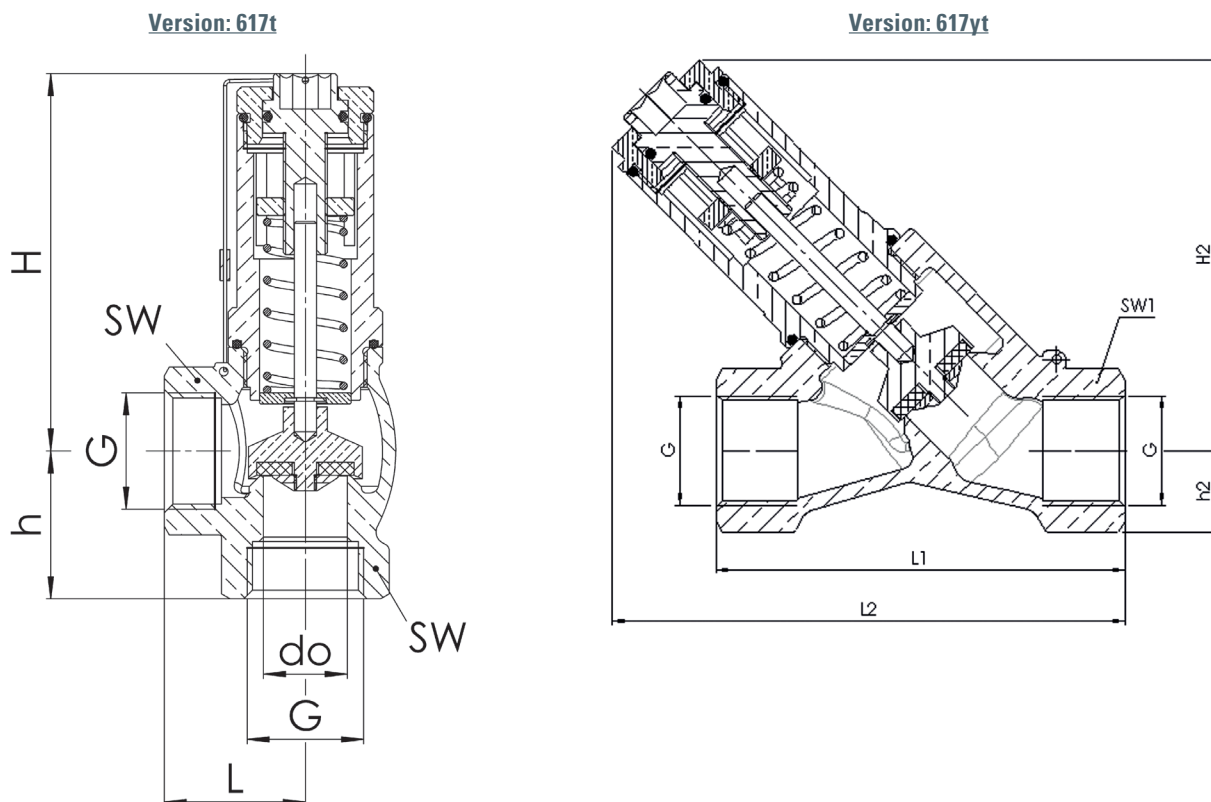
#### ■ SEALS

<b>NBR</b>	Nitrile rubber (standard)	Elastomere flat seal 0,2 – 12 bar	-30°C to +130°C
<b>FKM</b>	Fluorocarbon	Elastomere flat seal 0,2 – 12 bar	-20°C to +200°C
<b>EPDM</b>	Ethylene propylene diene	Elastomere flat seal 0,2 – 12 bar	-50°C to +150°C
<b>PTFE</b>	Polytetrafluoroethylene	Flat seal 0,5 – 12 bar	-60°C to +225°C
If the seat seal is made of PTFE the O-rings of the body and setting spindle seal are made of FPM.			
<b>PTFE</b>	Polytetrafluoroethylene	Flat seal 12 – 20 bar	-60°C to +225°C

■ NOMINAL DIAMETERS, CONNECTIONS, INSTALLATION DIMENSIONS

Series 617: Connection, installation dimensions, ranges of adjustment								
Nominal diameter	DN	10	15	20	25	32	40	50
Connection DIN EN ISO 228	G	3/8" (10)	1/2" (15)	3/4" (20)	1" (25)	1 1/4" (32)	1 1/2" (40)	2" (50)
Outlet DIN EN ISO 228	G	3/8" (10)	1/2" (15)	3/4" (20)	1" (25)	1 1/4" (32)	1 1/2" (40)	2" (50)
Installation dimensions in mm	L	27	30	33	40	45	50	60
	L1	69	72	90	95			
	L2	85	91	116	129			
	H	60	69	86	101	118	139	149
	h	26	30	35	41	45	51	60
	H2	64	68	89	100			
	h2	13,5	15,3	18	22,5			
	SW	24	28	34	41	52	58	70
	SW1	24	27	32	41			
	do	10	13	19	25	30	38	50
Weight	kg	0,3	0,4	0,7	1,2	1,9	2,5	3,8
Set pressure	bar	0,2 - 20	0,2 - 20	0,2 - 20	0,2 - 20	0,2 - 20	0,2 - 20	0,2 - 20
Range of adjustment	bar	0,2-0,8	0,2-0,8	0,2-0,8	0,2-0,8	0,2-0,8	0,2-0,8	0,2-0,8
		0,5-2,5	0,5-2,5	0,5-2,5	0,5-2,5	0,5-2,5	0,5-2,5	0,5-2,5
		2-8	2-8	2-8	2-8	2-8	2-8	2-8
		2-12	2-12	2-12	2-12	2-12	2-12	2-12
		12-20	12-20	12-20	12-20	12-20	12-20	12-20

■ MAIN DIMENSIONS, INSTALLATION DIMENSIONS



Series 617 ■ INDIVIDUAL SELECTION / VALVE CONFIGURATION

Series	Valve version	Medium	Lifting device	Nominal diameter DN	Connection type		Connection size		Seal	Options	Pressure range / set pressure	Quantity
					Inlet	Outlet	Inlet	Outlet				
617	t	GF	0	15	f	f	15	15	NBR	S48	2 - 12	10
617	yt	GF	0	25	f	f	25	25	PTFE		16,0	2
617												
617												

■ TECHNICAL FINISHES, VARIANTS, ACCESSORIES

S3	Auxiliary seals made of FFKM	<input type="checkbox"/>	S85	Auxiliary seals made of PTFE	<input type="checkbox"/>
S24	Auxiliary seals made of EPDM	<input type="checkbox"/>			<input type="checkbox"/>
S48	Set-pressure tamper-proof by means of a sealing cap	<input type="checkbox"/>			<input type="checkbox"/>

■ PROPERTIES

GOX	Especially for gaseous O2 applications by employment of specific materials including oil- and grease free production process	<input type="checkbox"/>	P03	Galvanically nickel-plated finish	<input type="checkbox"/>
P01	Oil- and grease-free production	<input type="checkbox"/>	P04	Chrome-plated finish	<input type="checkbox"/>
P02	Chemically nickel-plated finish	<input type="checkbox"/>			<input type="checkbox"/>

■ CERTIFICATES / APPROVALS

C01	Factory certificate acc. DIN EN 10204 2.2 (WKZ 2.2)	<input type="checkbox"/>	C06	ATEX evaluation acc. to 2014/34/EU	<input type="checkbox"/>
C02-1	Test certificate acc. DIN EN 10204 3.1 (WPZ 3.1) for non TÜV-CE valves marking of individual serial number is required	<input type="checkbox"/>	C10	Certificate of oil- and grease free production	<input type="checkbox"/>
C03	Material test certificate acc. DIN EN 10204 3.1 (MPZ 3.1) (pressure retaining part)	<input type="checkbox"/>	C11	Certification of the production process especially for gaseous oxygen applications by employment of specific materials	<input type="checkbox"/>
C05	Sealing material Manufacturer certification (FDA, USP 3, 3-A,...), Please indicate description of certificate: .....	<input type="checkbox"/>			<input type="checkbox"/>

■ ADMISSIONS / ACCREDITATIONS

AA1	EC Type examination acc. to Directive 2014/68/EU	<input type="checkbox"/>	AK1	DNV-GL (DNVGL) type approval	<input type="checkbox"/>
AA4	EAC - certificate/declaration with passport for the valve and laser marking of the valve	<input type="checkbox"/>	AK2	Lloyd's Register (LR) type approval	<input type="checkbox"/>
	<input type="checkbox"/>		AK3	American Bureau of Shipping (ABS) type approval	<input type="checkbox"/>
	<input type="checkbox"/>		AK4	Bureau Veritas (BV) type approval	<input type="checkbox"/>
	<input type="checkbox"/>		AK5	Russian Maritime Register of Shipping (RMRS) type approval	<input type="checkbox"/>
	<input type="checkbox"/>		AK6	Registro Italiano Navale (RINA) type approval	<input type="checkbox"/>
	<input type="checkbox"/>		AL	Individual inspection by notified body inspector – (body to be indicated): .....	<input type="checkbox"/>

■ ENQUIRY

Copy and send to: [order@goetze-armaturen.de](mailto:order@goetze-armaturen.de).

Order form easily to be found online under the section for each series.

■ CAPACITY TABLE

Series 617: Kv values at 1 bar overpressure																																										
Nominal diameter DN	10						15						20						25						32						40						50					
	Air [Nm³/h]			Air [Nm³/h]			Air [Nm³/h]			Air [Nm³/h]			Air [Nm³/h]			Air [Nm³/h]			Air [Nm³/h]			Air [Nm³/h]			Air [Nm³/h]			Air [Nm³/h]			Air [Nm³/h]											
	0,2-0,8	2-8	12-20	0,2-0,8	2-8	12-20	0,2-0,8	2-8	12-20	0,2-0,8	2-8	12-20	0,2-0,8	2-8	12-20	0,2-0,8	2-8	12-20	0,2-0,8	2-8	12-20	0,2-0,8	2-8	12-20	0,2-0,8	2-8	12-20	0,2-0,8	2-8	12-20												
Set pressure bar																																										
0,2																																										
0,5																																										
0,8																																										
1																																										
1,5																																										
2																																										
2,5																																										
3																																										
4																																										
5																																										
6																																										
7																																										
8																																										
9																																										
10																																										
11																																										
12																																										
13																																										
14																																										
15																																										
16																																										
17																																										
18																																										
19																																										
20																																										

Series 617: Kv values at 1 bar overpressure																																										
Nominal diameter DN	10						15						20						25						32						40						50					
	Water [m³/h]			Water [m³/h]			Water [m³/h]			Water [m³/h]			Water [m³/h]			Water [m³/h]			Water [m³/h]			Water [m³/h]			Water [m³/h]			Water [m³/h]			Water [m³/h]											
	0,2-0,8	2-8	12-20	0,2-0,8	2-8	12-20	0,2-0,8	2-8	12-20	0,2-0,8	2-8	12-20	0,2-0,8	2-8	12-20	0,2-0,8	2-8	12-20	0,2-0,8	2-8	12-20	0,2-0,8	2-8	12-20	0,2-0,8	2-8	12-20	0,2-0,8	2-8	12-20												
Set pressure bar																																										
0,2																																										
0,5																																										
0,8																																										
1																																										
1,5																																										
2																																										
2,5																																										
3																																										
4																																										
5																																										
6																																										
7																																										
8																																										
9																																										
10																																										
11																																										
12																																										
13																																										
14																																										
15																																										
16																																										
17																																										
18																																										
19																																										
20																																										



■ CAPACITY TABLE

Series 617: Kv values at 1 bar overpressure																												
Nominal diameter DN	10			15			20			25			32			40			50									
	Steam [kg/h]			Steam [kg/h]			Steam [kg/h]			Steam [kg/h]			Steam [kg/h]			Steam [kg/h]			Steam [kg/h]									
Pressure range bar	0,2 - 0,8	2-8	12-20	0,2 - 0,8	2-8	12-20	0,2 - 0,8	2-8	12-20	0,2 - 0,8	2-8	12-20	0,2 - 0,8	2-8	12-20	0,2 - 0,8	2-8	12-20	0,2 - 0,8	2-8	12-20							
Set pressure bar	0,2	0,5	0,8	1	1,5	2	2,5	3	4	5	6	7	8	9	10	11	12	13	14	15	16	17	18	19	20			
0,2	18			41			138			156			468			726			1172									
0,5	22	65		47	113		156	163		172	295		531	509		757	665		1265	1100								
0,8	25	70		52	120		172	173		191	305		547	541		820	700		1359	1173								
1		74			125			181			313			553			724			1222								
1,5		81			135			200			345			615			798			1345								
2		86	53	40		143	98	73		221	144	126		373	280	218		642	283	194		862	455	311		1451		
2,5		93	60	45		157	104	79		235	161	141		384	302	244		619	301	218		940	510	349		1535	787	663
3			66	43			111	80			171	156			309	258			297	223			506	387		884	698	
4			79	53			129	79			187	160			339	308			333	244			499	428		876	670	
5			77	66			135	82			186	176			412	322			361	283			579	455		987	740	
6			78	75			132	88			212	200			388	326			441	323			707	518		1145	859	
7			84	81			118	93			225	198			275	298			429	363			740	635		1224	816	
8			89	89			123	96			249	190			254	279			475	402			821	645		1284	916	
9				89				98				193				250				441				707			1015	
10				97				106				192				273				480				770			1002	
11				94				106				189				262				472				833			1090	
12				101	79			105	78			204	183			282	247			406	457			814	570		1179	987
13					84				68			174				189				489				610			1056	
14					90				57			162				201				521				650			1125	
15					95				54			123				213				552				590			1022	
16					94				51			130				180				584				728			1261	
17					99				46			110				142				615				768			1140	
18					96				32			87				150				576				693			1399	
19					101				28			61				105				604				606			1678	
20					105				21			32				165				632				634			1537	