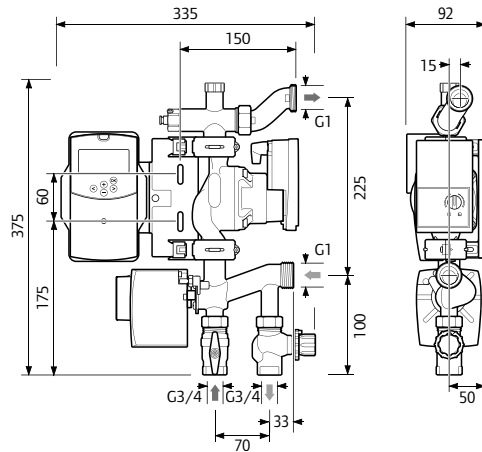


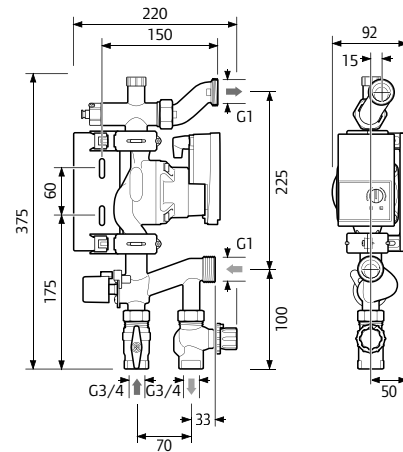
Uponor Fluvia Move Pumpgroup MPG



MPG-10-A



MPG-10-B



$Q_{max} = 10 \text{ kW}$



$\vartheta_{sec} = 15 - 55^\circ\text{C}$



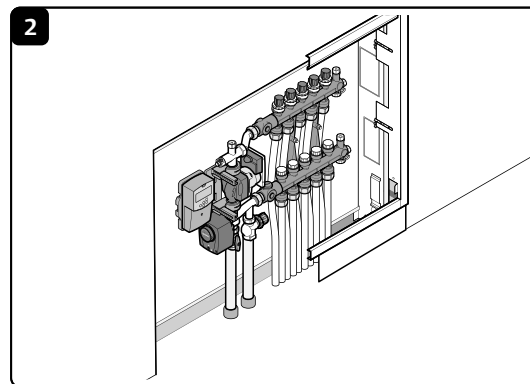
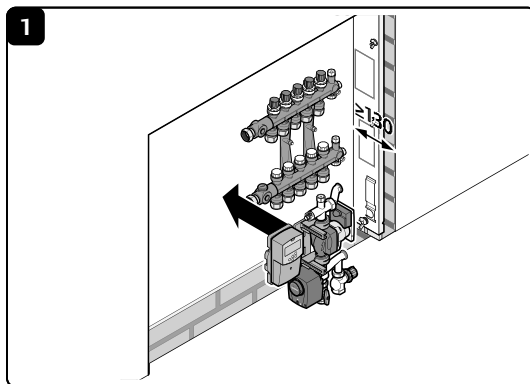
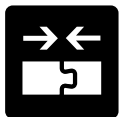
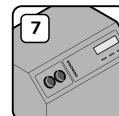
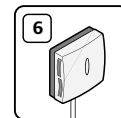
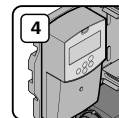
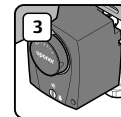
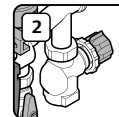
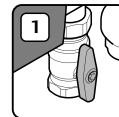
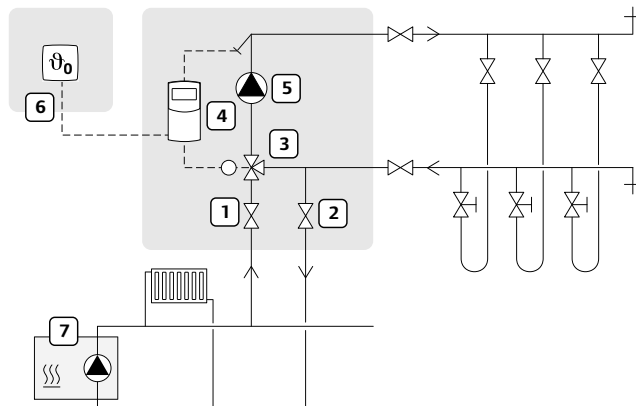
$kvs = 5 \text{ m}^3/\text{h}$

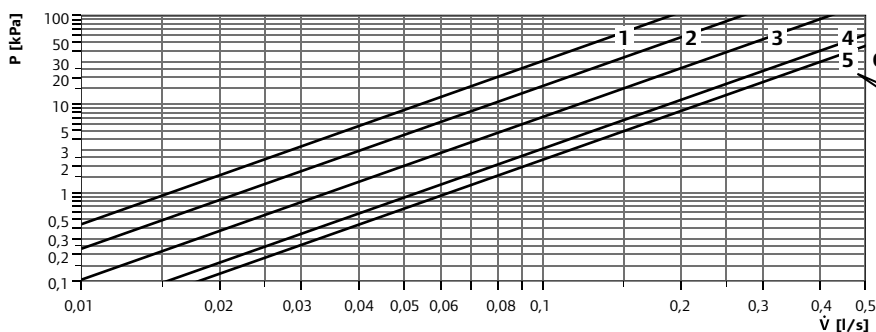
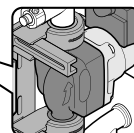
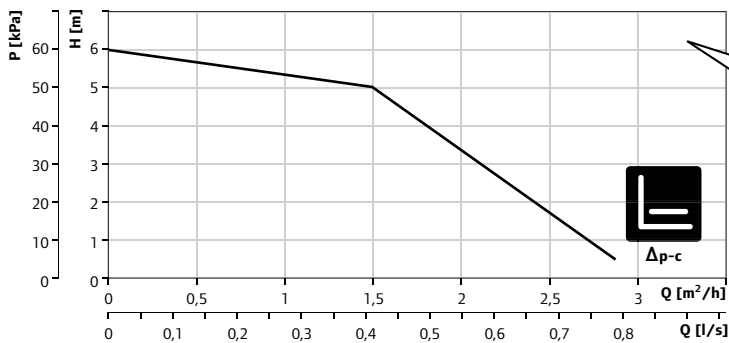
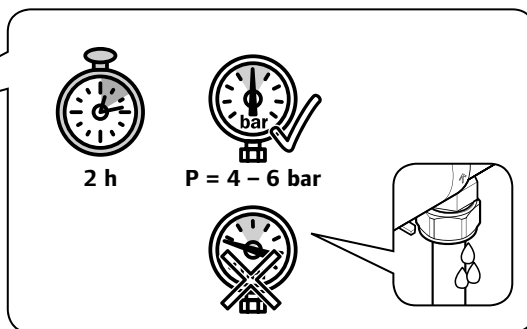
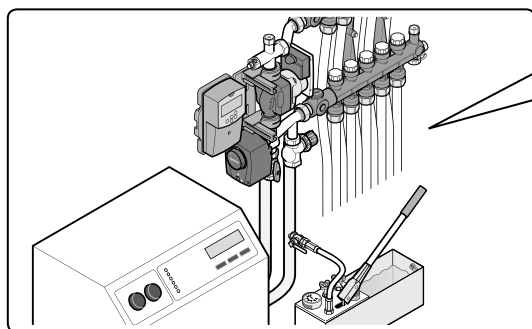


$P_{max} = 6 \text{ bar}$

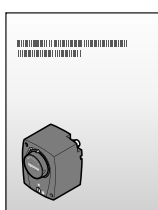
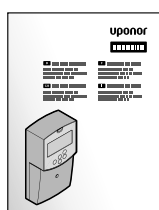
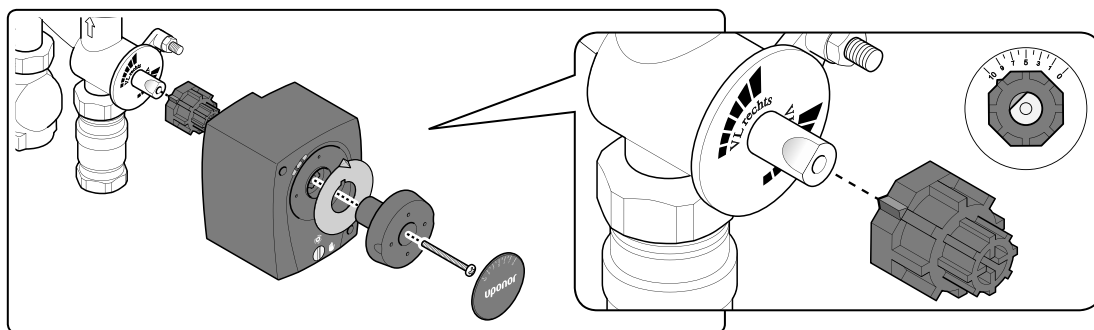
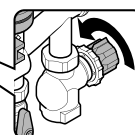


15 Ltr/h





OPEN



Uponor Corporation
www.uponor.com

Uponor reserves the right to make changes, without prior notification, to the specification of incorporated components in line with its policy of continuous improvement and development.

uponor