

## KULEVENTIL – GG25 KOMPAKT / BALL VALVE – GG.25 COMPACT

YSQ41F-16

## ANVENDELSOMRÅDE:

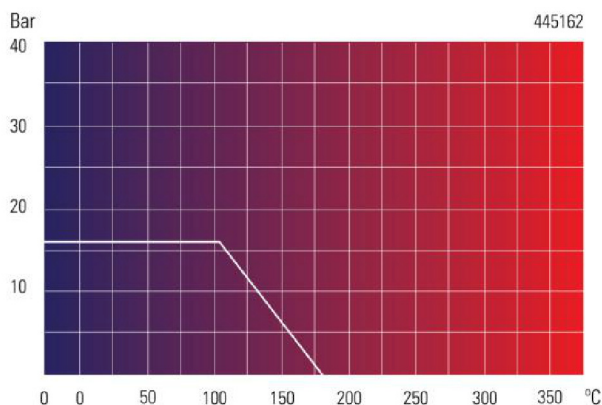
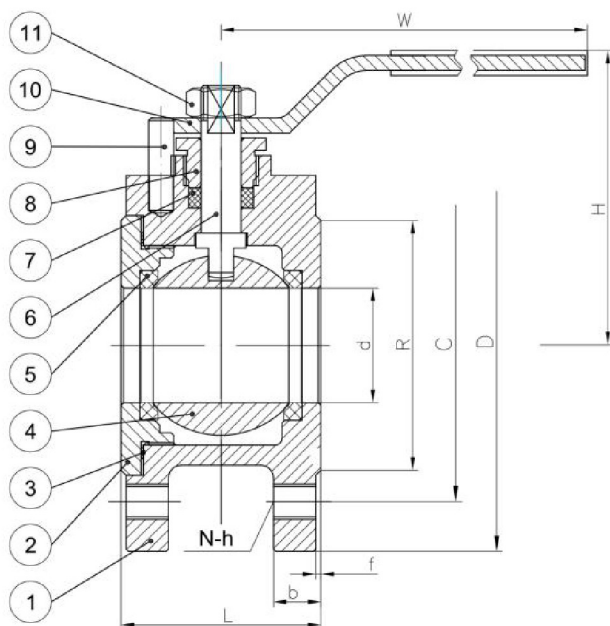
Sanitæranlegg, vann, luft og enkelte gasser.

Flenser i DIN PN10/16.

## APPLICATION:

Sanitary systems, water and gases.

Flanges drilled according to DIN PN 10/16.



Nr	Detalj/Part name	Materiale/Material
1	Hus/Body	GG.25/EN-JL1040
2	Bonnet/Bonnet	GG.25/EN-JL1040
3	Pakning/Gasket	PTFE
4	Kule/Ball	SS304
5	Sete/Seat	PTFE
6	Stem/Stem	SS304
7	Stempakn./Stem packing	PTFE
8	Mutter/Gland nut	Stål/Steel
9	Stopp skruer/Stop pin	Stål/Steel
10	Håndta/Handle	Stål/Steel

HS CODE INT. 8481.80

DN	Vare nr. Part. no.	L mm	D mm	C mm	R mm	b mm	f mm	N mm	h mm	W mm	Torgue Operating	Vekt Weight Kg
20	5670503	40	105	75	58	16	2	4	M12	140	18	0,82
25	5670504	50	115	85	68	16	2	4	M12	150	18	1,25
32	5670505	55	140	100	78	18	2	4	M16	188	18	1,86
40	5670506	65	150	110	88	18	3	4	M16	210	20	2,42
50	5670507	80	165	125	102	20	3	4	M16	210	40	3,10
65	5670508	100	185	145	122	20	3	4	M16	280	70	5,23
80	5670509	120	200	160	138	22	3	8	M16	280	70	8,50
100	5670511	140	220	180	158	24	3	8	M16	354	70	12,40