



Nothing but **HEAVY DUTY.**[®]



M18 BLDD2 **M18 BLPD2**

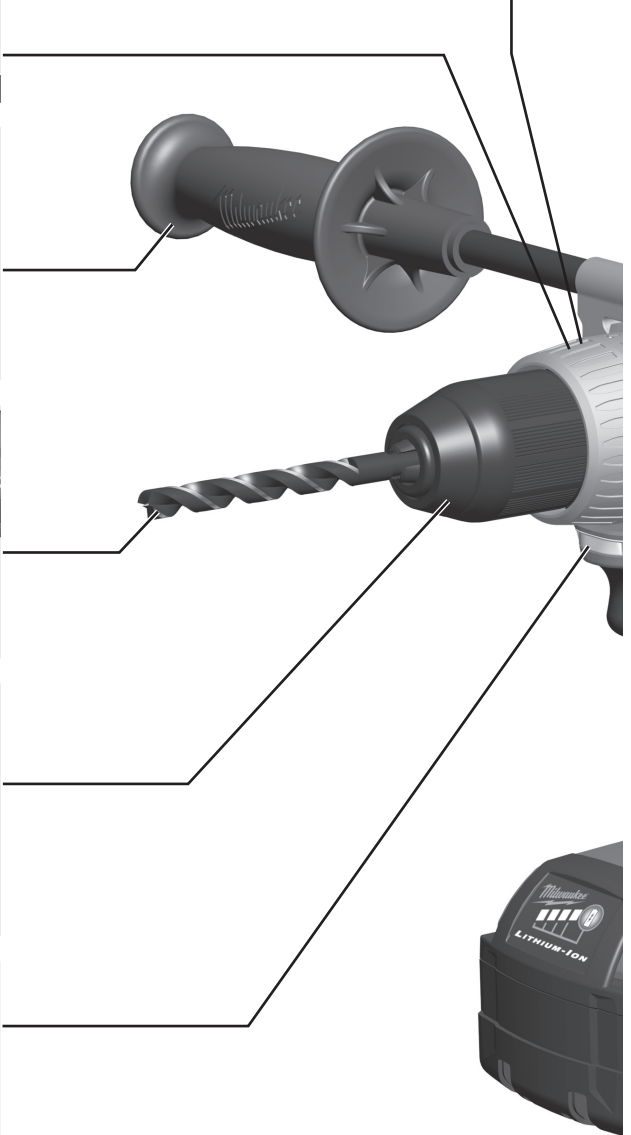
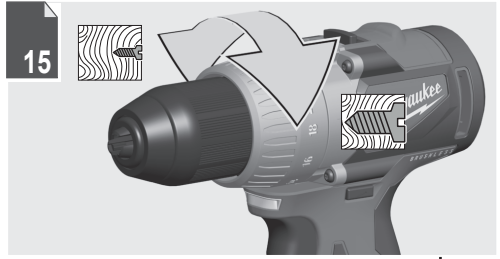
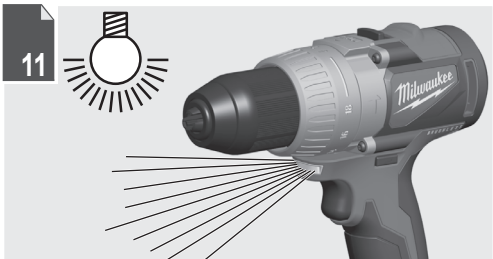
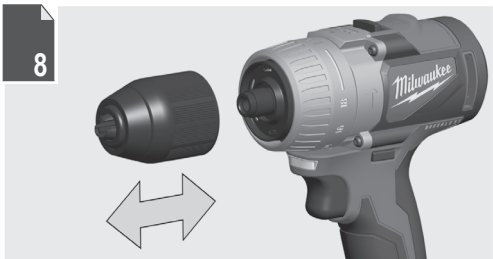
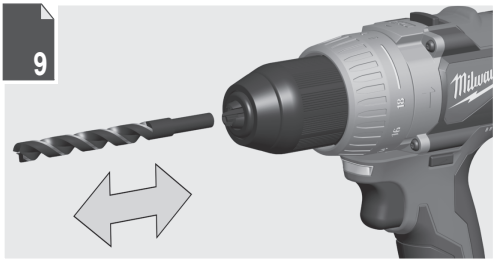
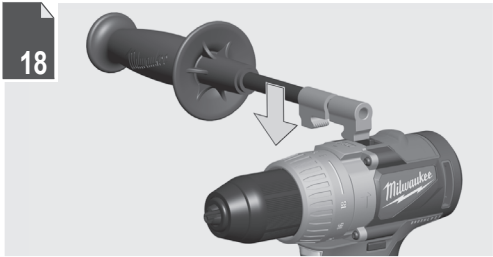
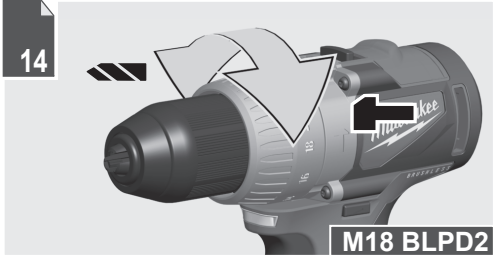
Original instructions
Originalbetriebsanleitung
Notice originale
Istruzioni originali
Manual original
Oorspronkelijke gebruiksaanwijzing
Original brugsanvisning
Original bruksanvisning
Bruksanvisning i original
Alkuperäiset ohjeet

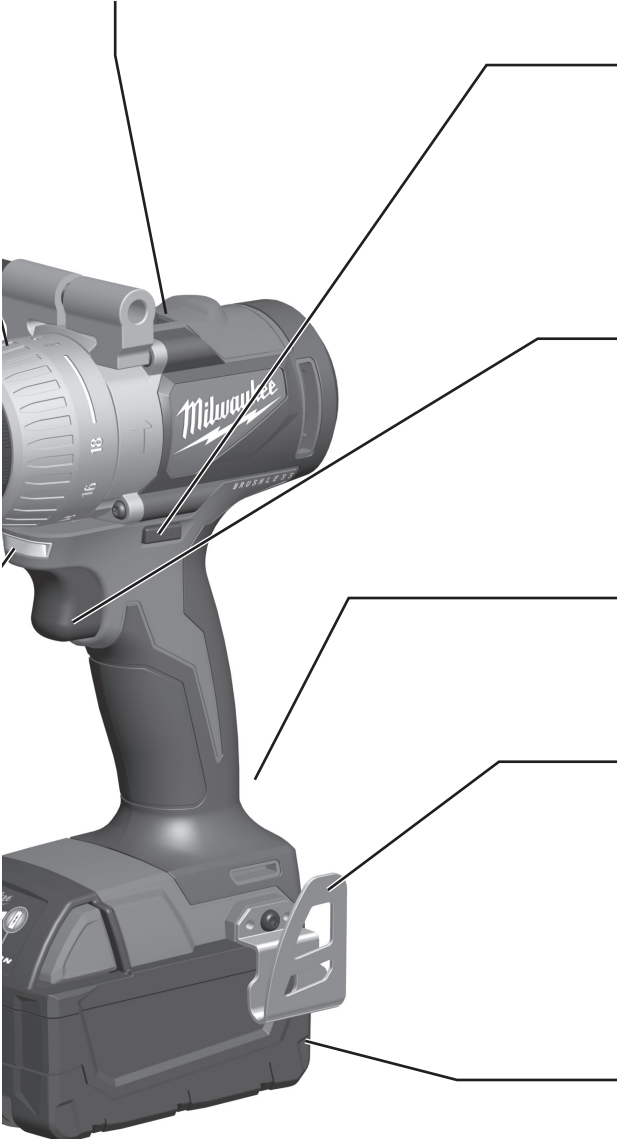
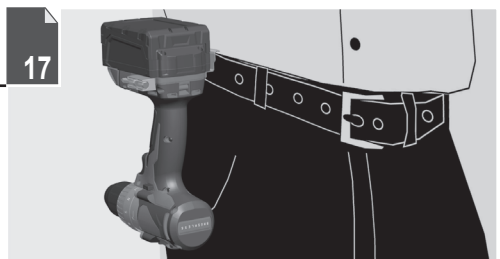
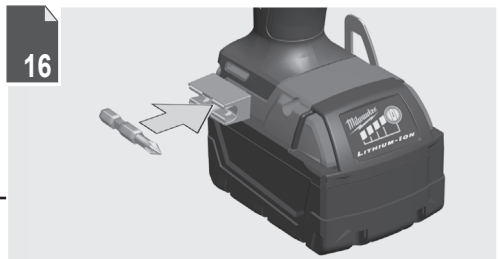
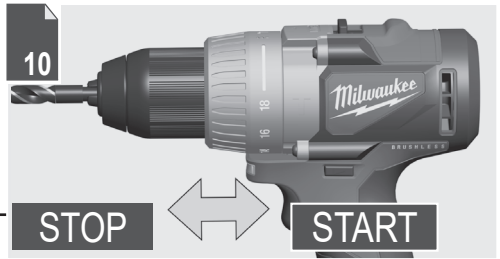
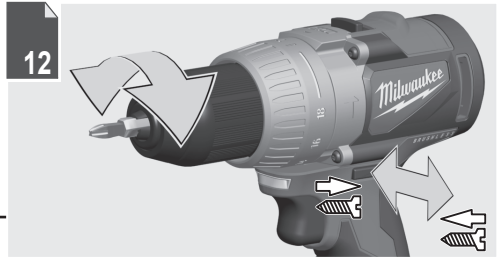
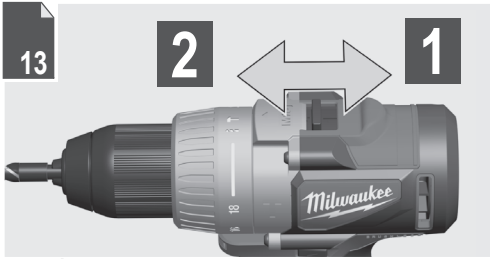
Πρωτότυπο οδηγιών χρήσης
Orijinal işletme talimatı
Původním návodem k používání
Pôvodný návod na použitie
Instrukcja oryginalną
Eredeti használati utasítás
Izvirna navodila
Originalne pogonske upute
Instrukcijām oriģinālvalodā
Originali instrukcija

Algupärane kasutusjuhend
Оригинальное руководство по эксплуатации
Оригинално ръководство за експлоатация
Instrucțiuni de folosire originale
Оригинален прирачник за работа
Оригінал інструкції з експлуатації
التعليمات الأصلية

ENGLISH		Picture section with operating description and functional description	4
DEUTSCH		Bildteil mit Anwendungs- und Funktionsbeschreibungen	4
FRANÇAIS		Partie imagée avec description des applications et des fonctions	4
ITALIANO		Sezione illustrata con descrizione dell'applicazione e delle funzioni	4
ESPAÑOL		Sección de ilustraciones con descripción de aplicación y descripción funcional	4
PORTUGUES		Parte com imagens explicativas contendo descrição operacional e funcional	4
NEDERLANDS		Beeldgedeelte met toepassings- en functiebeschrijvingen	4
DANSK		Billedel med anvendelses- og funktionsbeskrivelser	4
NORSK		Billedel med bruks- og funksjonsbeskrivelse	4
SVENSKA		Bilddel med användnings- och funktionsbeskrivning	4
SUOMI		Kuvasivut käyttö- ja toimintakuvaukset	4
ΕΛΛΗΝΙΚΑ		Τμήμα εικόνων με περιγραφές χρήσης και λειτουργίας	4
TÜRKÇE		Resim bölümü Uygulama ve fonksiyon açıklamaları ile birlikte	4
ČESKY		Obrazová část s popisem aplikací a funkcí	4
SLOVENSKY		Obrazová část s popisom aplikácií a funkcií	4
POLSKI		Część rysunkowa z opisami zastosowania i działania	4
MAGYAR		Képes részalkalmazási- és működési leírásokkal	4
SLOVENSKO		Del slikez opisom uporabe in funkcij	4
HRVATSKI		Dio sa slikama opisima primjene i funkcija	4
LATVISKI		Attēla daļa ar lietošanas un funkciju aprakstiem	4
LIETUVIŠKAI		Paveikslėlio dalis su vartojimo instrukcija ir funkcijų aprašymais	4
EESTI		Pildiosa kasutusjuhendi ja funktsioonide kirjeldusega	4
РУССКИЙ		Раздел иллюстраций с описанием эксплуатации и функций	4
БЪЛГАРСКИ		Част със снимки с описания за приложение и функции	4
ROMÂNIA		Secvența de imagine cu descrierea utilizării și a funcționării	4
МАКЕДОНСКИ		Дел со сликисо описи за употреба и функционирање	4
УКРАЇНСЬКА		Частина з зображеннями з описом робіт та функцій	4
عربي		قسم الصور يوجد به الوصف التشغيلي والوظيفي	4

Text section with Technical Data, important Safety and Working Hints and description of Symbols	20
Textteil mit Technischen Daten, wichtigen Sicherheits- und Arbeitshinweisen und Erklärung der Symbole.	22
Partie textuelle avec les données techniques, les consignes importantes de sécurité et de travail ainsi que l'explication des pictogrammes.	24
Sezione testo con dati tecnici, importanti informazioni sulla sicurezza e sull'utilizzo, spiegazione dei simboli.	26
Sección de texto con datos técnicos, indicaciones importantes de seguridad y trabajo y explicación de los símbolos.	28
Parte com texto explicativo contendo Especificações técnicas, Avisos de segurança e de operação e a Descrição dos símbolos.	30
Tekstgedeelte met technische gegevens, belangrijke veiligheids- en arbeidsinstructies en verklaring van de symbolen.	32
Tekstdel med tekniske data, vigtige sikkerheds- og arbejdsanvisninger og symbolforklaring.	34
Tekstdel med tekniske data, viktige sikkerhets- og arbeidsinstruksjoner og forklaring av symbolene.	36
Textdel med tekniska informationer, viktiga säkerhets- och användningsinstruktioner samt symbolförklaringar.	38
Tekstisivut: tekniset tiedot, tärkeät turvallisuus- ja työskentelyohjeet sekä merkkien selitykset.	40
Τμήμα κειμένου με τεχνικά χαρακτηριστικά, σημαντικές υποδείξεις ασφαλείας και εργασίας και εξήγηση των συμβόλων.	42
Teknik bilgileri, önemli güvenlik ve çalışma açıklamalarını ve de sembollerin açıklamalarını içeren metin bölümü.	44
Textová část s technickými daty, důležitými bezpečnostními a pracovními pokyny a s vysvětlivkami symbolů	46
Textová část s technickými datami, důležitými bezpečnostními a pracovními pokyny a s vysvětlivkami symbolů	48
Część opisowa z danymi technicznymi, ważnymi wskazówkami dotyczącymi bezpieczeństwa i pracy oraz objaśnieniami symboli.	50
Szöveges rész műszaki adatokkal, fontos biztonsági- és munkavégzési útmutatásokkal, valamint a szimbólumok magyarázata.	52
Del besedila s tehničnimi podatki, pomembnimi varnostnimi opozorili in delovnimi navodili in pojasnili simbolov.	54
Dio štiva sa tehničkim podacima, važnim sigurnosnim i radnim uputama i objašnjenjem simbola.	56
Teksta daļa ar tehniskajiem parametriem, svarīgiem drošības un darbības norādījumiem, simbolu atšifrējumiem.	58
Teksto dalis su techniniais duomenimis, svarbiomis saugumo ir darbo instrukcijomis bei simbolių paaiškinimais.	60
Tekstiosa tehniliste näitajate, oluliste ohutus- ja tödjuhenditega ning sümbolite kirjeldustega.	62
Текстовый раздел, включающий технические данные, важные рекомендации по безопасности и эксплуатации, а также описание используемых символов.	64
Част с текст с технически данни, важни указания за безопасност и работа и разяснение на символите.	66
Porțiune de text cu date tehnice, indicații importante privind siguranța și modul de lucru și descrierea simbolurilor.	68
Текстуален дел со Технички карактеристики, важни безбедносни и работни упатства и објаснување на симболите.	70
Текстова частина з техничними даними, важливими вказівками з техніки безпеки та експлуатації і поясненням символів.	72
القسم النصي المزود بالبيانات الفنية والنصائح الهامة للسلامة والعمل ووصف الرموز	75







Remove the battery pack before starting any work on the machine.

Vor allen Arbeiten an der Maschine den Wechselakku herausnehmen

Avant tous travaux sur la machine retirer l'accu interchangeable.

Prima di iniziare togliere la batteria dalla macchina.

Retire la batería antes de comenzar cualquier trabajo en la máquina.

Antes de efectuar qualquer intervenção na máquina retirar o bloco acumulador.

Voor alle werkzaamheden aan de machine de akku verwijderen.

Ved arbejde inden i maskinen, bør batteriet tages ud.

Ta ut vekselbatteriet før du arbeider på maskinen

Drag ur batteripaket innan arbete utföres på maskinen.

Tarkista pistotulppa ja verkkojohto mahdollisilta vaurioilta. Viat saa korjata vain alan erikoismies.

Πριν από κάθε εργασία στη μηχανή αφαιρείτε την ανταλλακτική μπαταρία.

Aletin kendinge bir çalıřma yapmadan önce kartuř aküyü çıkarın.

Před zahájením veřkerých prací na vrtacím řroubovákú vyjmout výměnný akumulátor.

Pred kařdú prácou na stroji výmenný akumulátor vytiahnuť.

Przed przystapieniem do jakichkolwiek prac na elektronarzędziu naleřy wyjáč wkładkę akumulatorową.

Karbantartás, javítás, tisztítás, stb. elótt az akkumulátort ki kell venni a készulékból.

Pred deli na stroju izvlecite izmenljivi akumulator.

Prije svih radova na stroju izvaditi bateriju za zamjenu.

Pirms mařinai veikt jebkádá veida apkopes darbus, ir jāizņem árā akumulátors.

Prieš atlikdami bet kokius darbus įrenginyje, išimkite keičiamą akumuliatorių.

Enne kóiki tóid masina kallal vótké vahetatav aku válja.

Выньте аккумулятор из машины перед проведением с ней каких-либо манипуляций.

Преди започване на каквито е да е работи по машината извадете акумулатора.

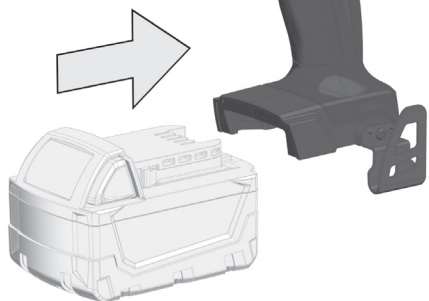
Scoteřej akumulátorul înainte de a începe orice intervenție pe mařină.

Отстранете ја батеријата пред да започнете да ја користите машината.

Перед будь-якими роботами на машині ви́няти змінну акумуляторну батарею.

قم بإزالة حزمة البطارية قبل البدء في أي أعمال على الجهاز.

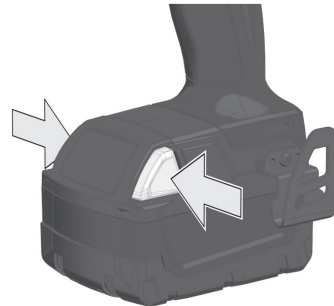
1



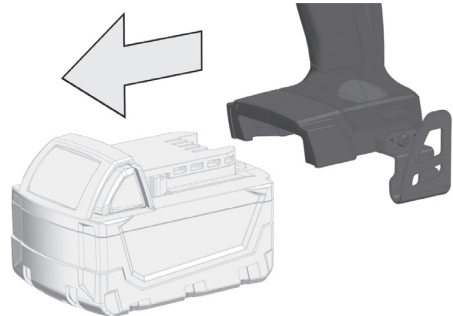
2

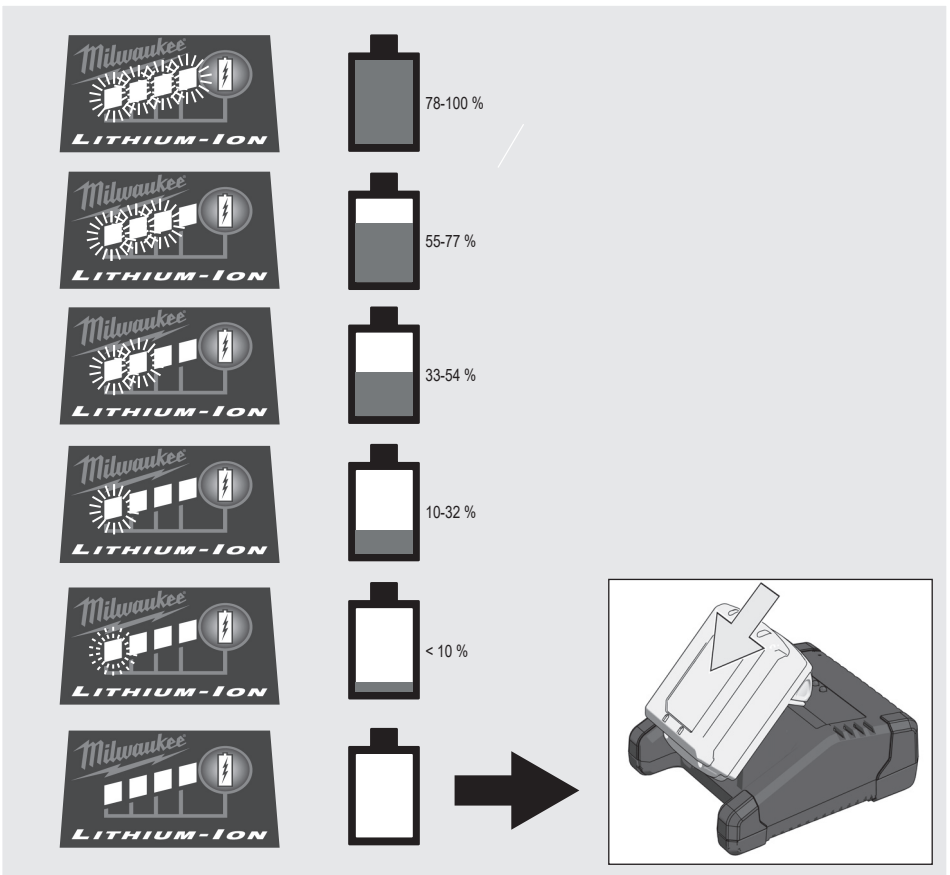
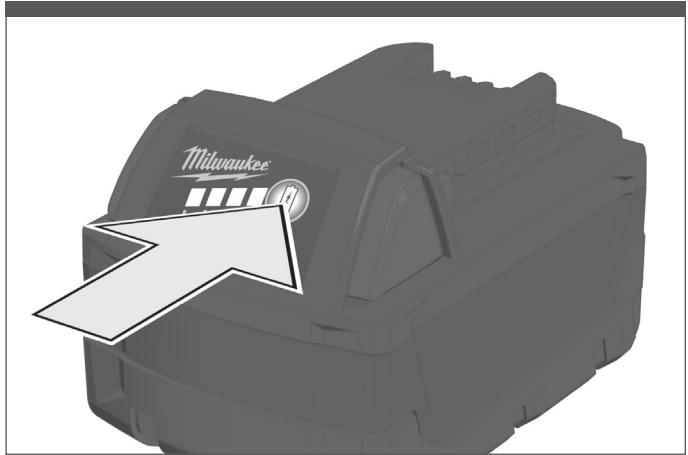


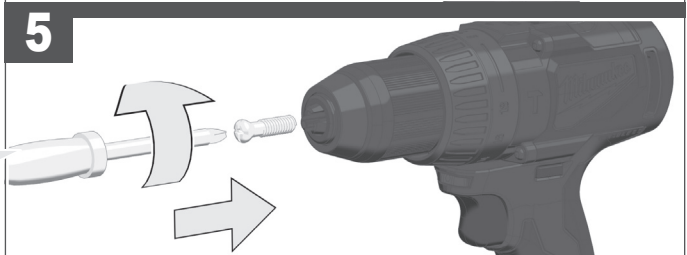
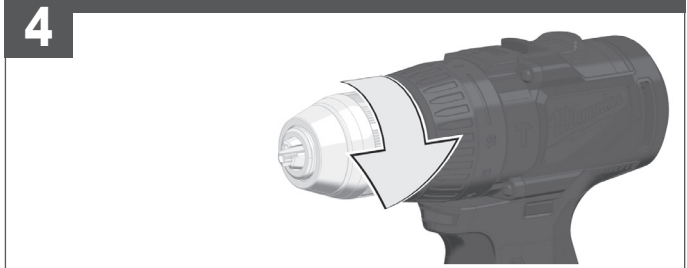
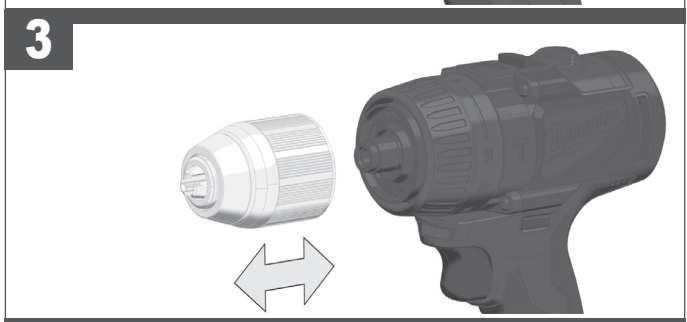
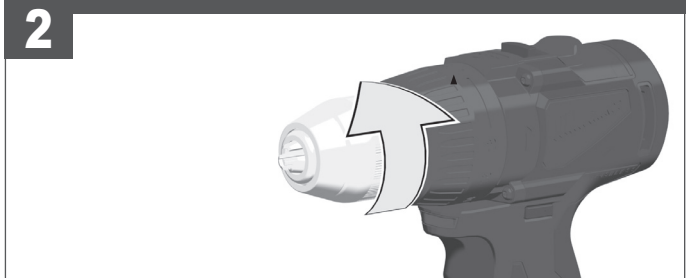
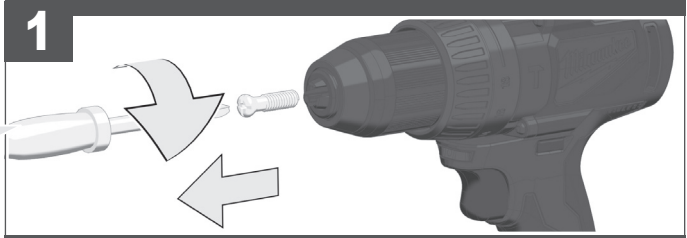
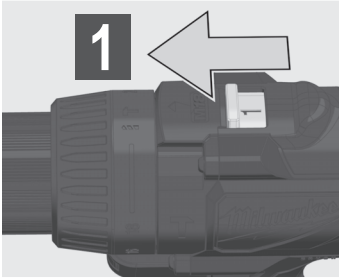
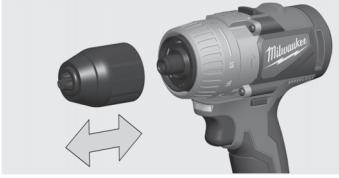
1

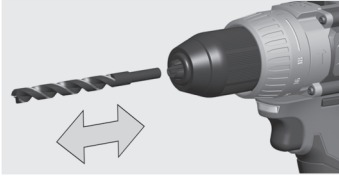


2

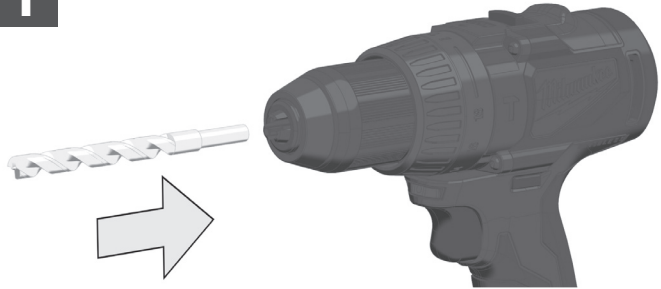




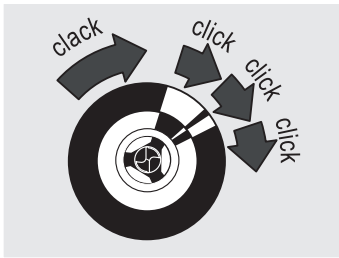
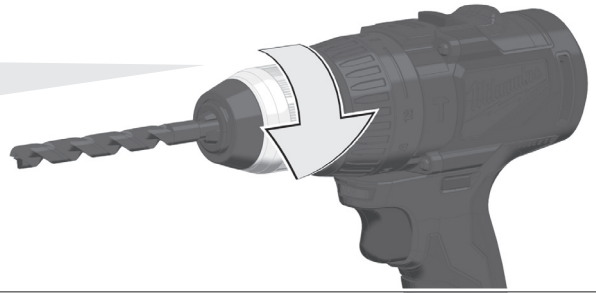




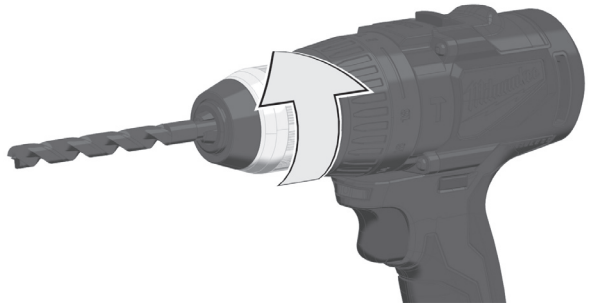
1



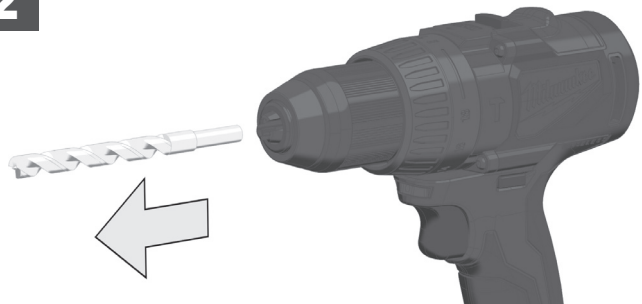
2



1



2





Handle (insulated gripping surface)

Handgriff (isolierte Grifffläche)

Poignée (surface de prise isolée)

Impugnatura (superficie di presa isolata)

Empuñadura (superficie de agarre con aislamiento)

Manípulo (superficie de pega isolada)

Handgriep (geïsoleerd)

Håndtag (isolerede gribeflader)

Håndtak (isolert gripeflate)

Handtag (isolerad greppyta)

Kahva (eristetty tarttumapinta)

Χειρολαβή (μονωμένη επιφάνεια λαβής)

El kulpu (izolasyonlu tutma yüzeyi)

Rukojeť (izolovaná uchopovací plocha)

Rukovät' (izolovaná úchopná plocha)

Uchwyť (z izolowaną powierzchnią)

Fogantyú (szigetelt fogófelület)

Ročaj (izolirana prijemalna površina)

Rukohvat (izolirana površina za držanje)

Rokturis (izolēta satveršanas virsma)

Rankena (izoliuotas rankenos paviršius)

Käepide (isoleeritud pideme piirkond)

Рукотка (изолированная поверхность ручки)

Ръкохватка (изолирана повърхност за хващане)

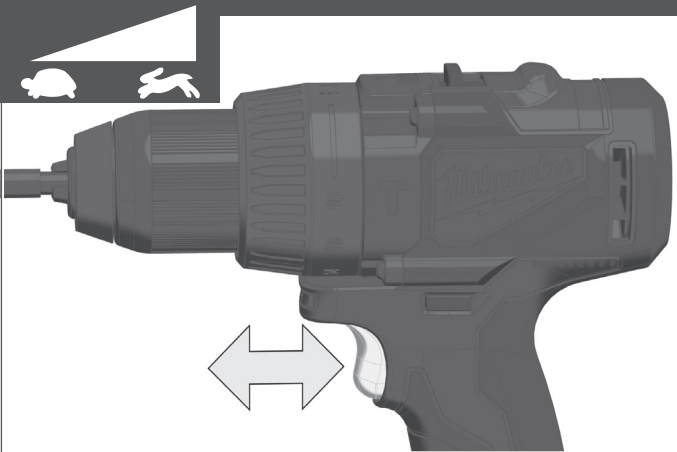
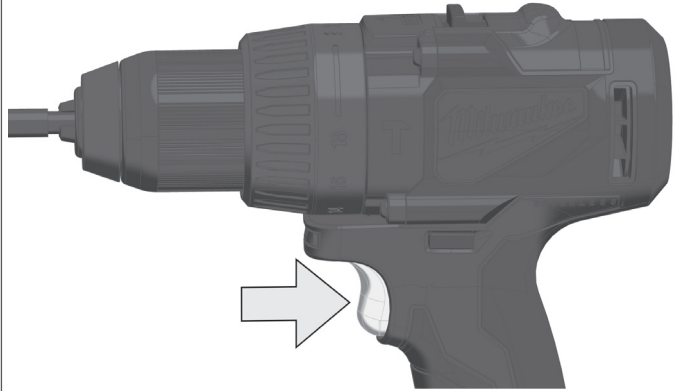
Måner (suprafață de prindere izolată)

Дршка (изолирана површина)

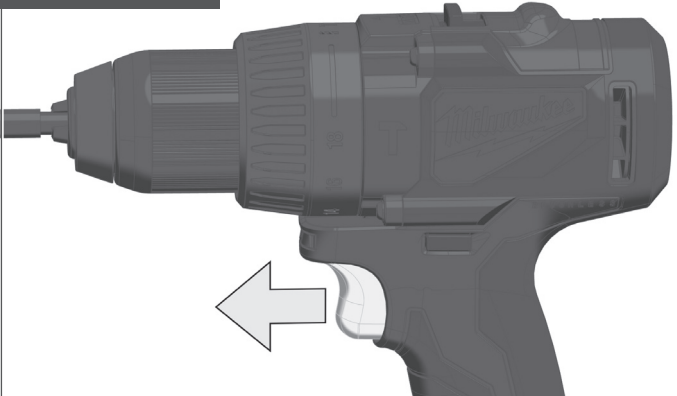
Ручка (ізольована поверхня ручки)

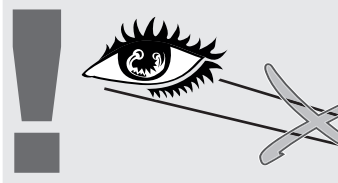
المقبض (مساحة المقبض معزولة)

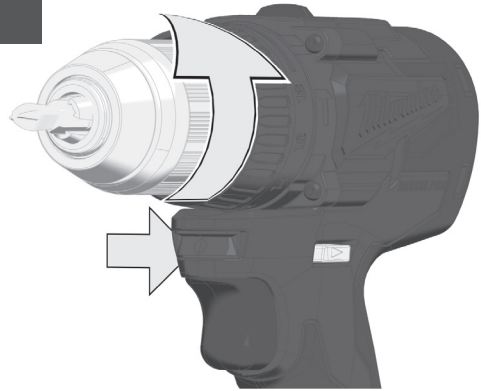
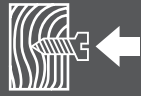
START



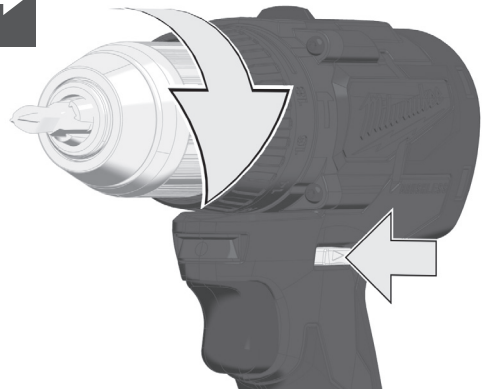
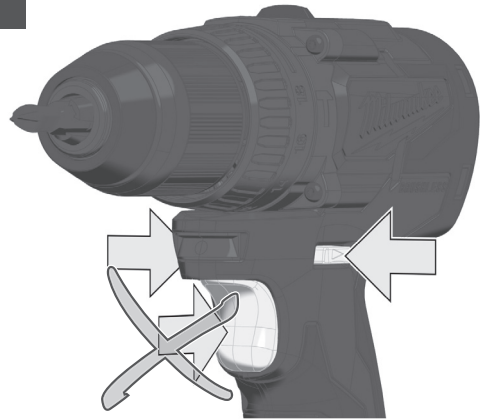
STOP

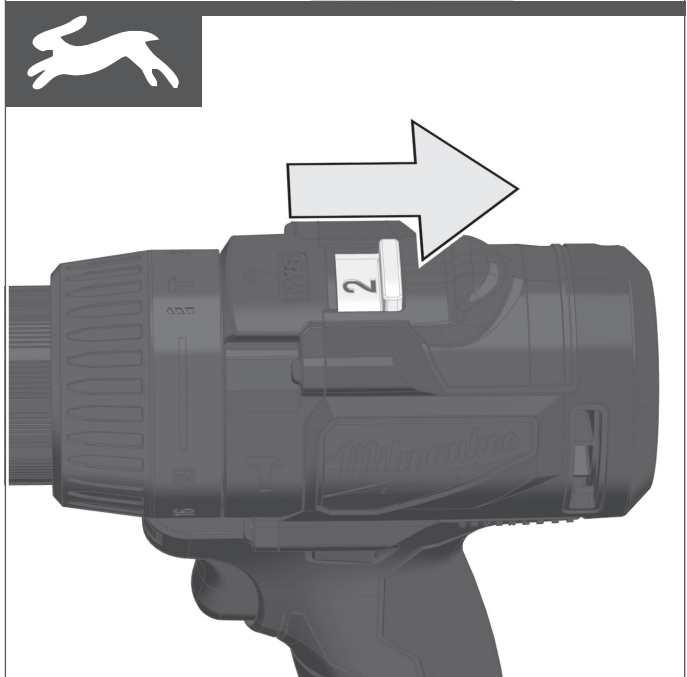
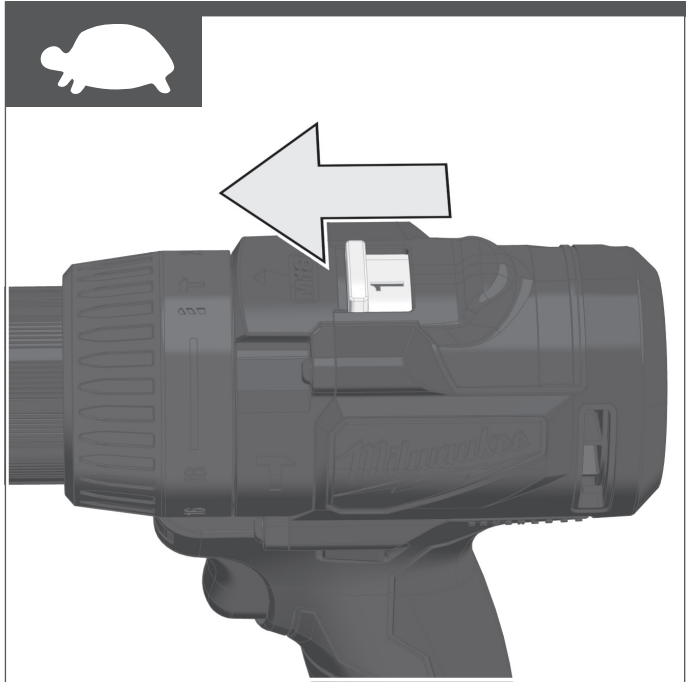




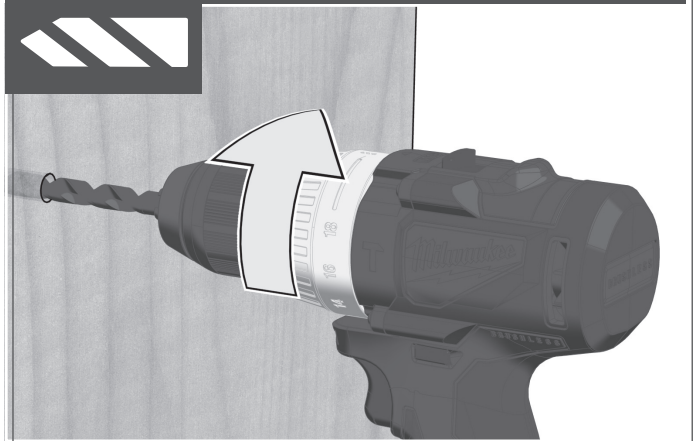
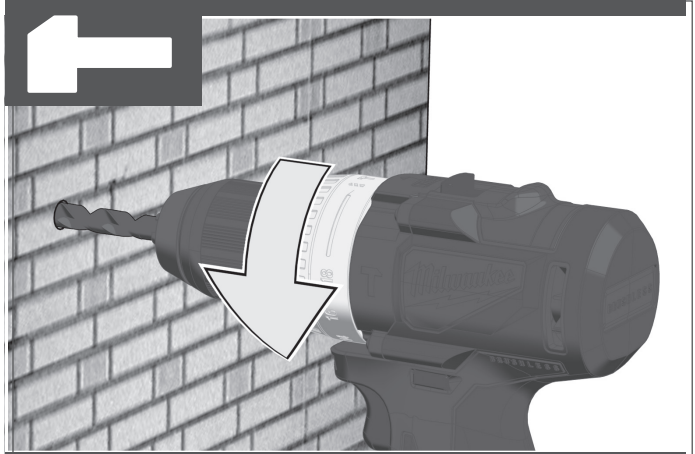
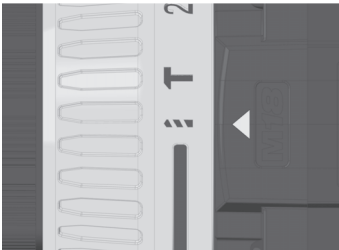
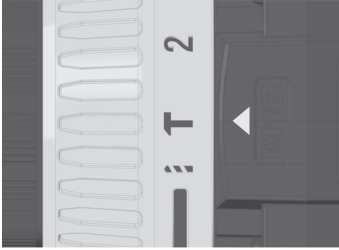
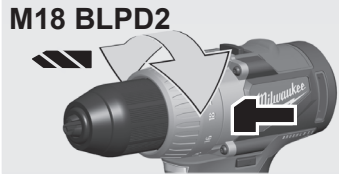


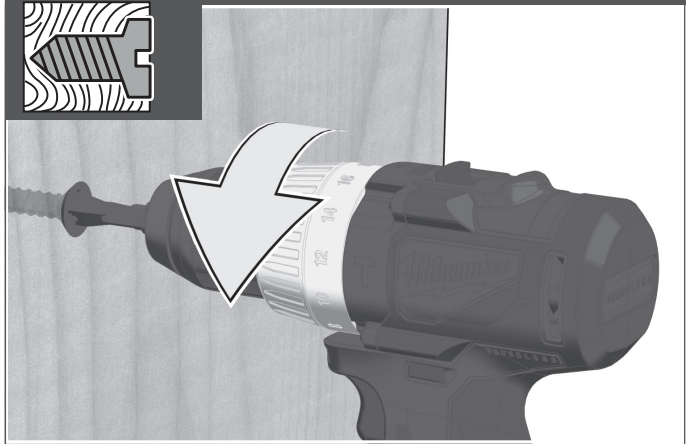
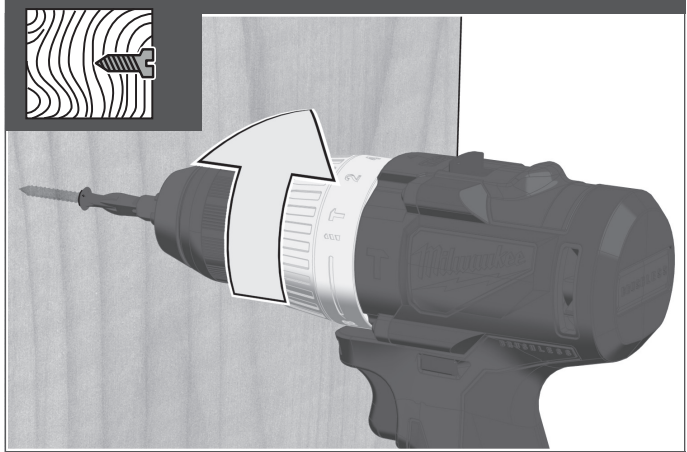
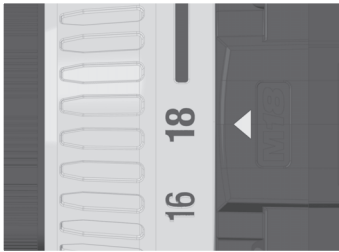
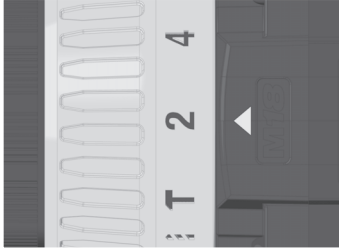
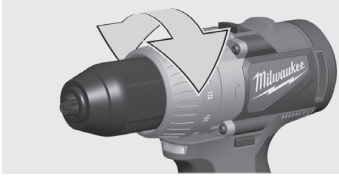
LOCK

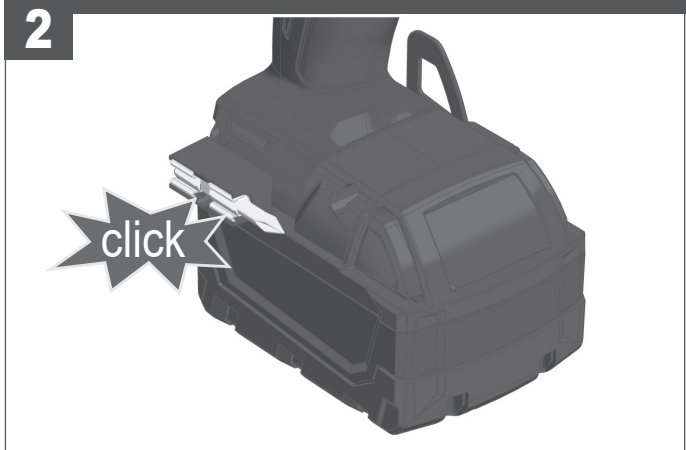
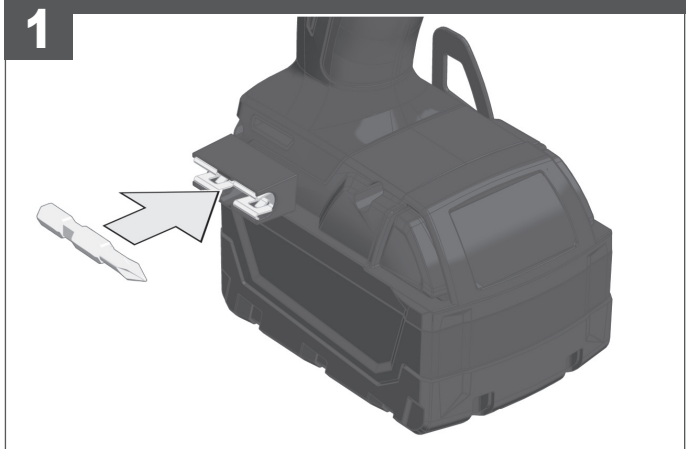
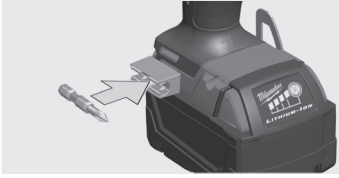


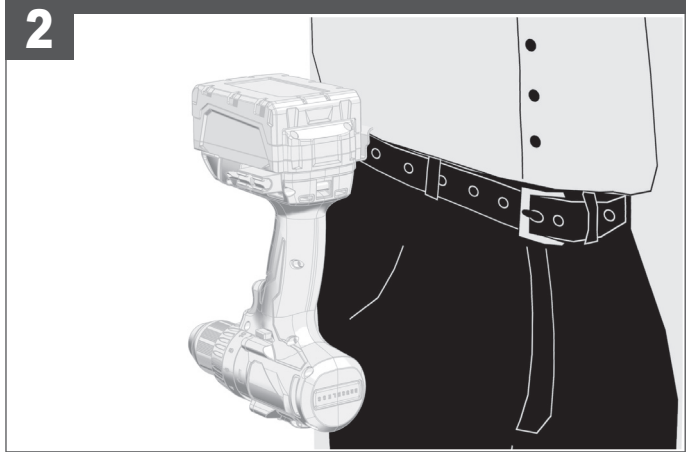
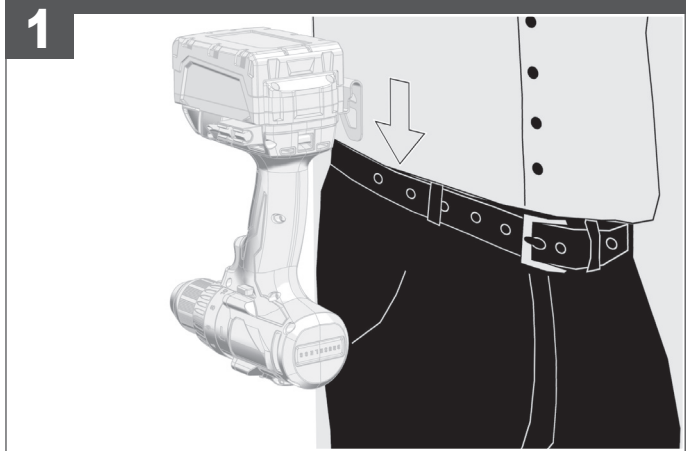
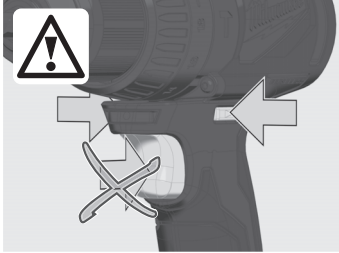
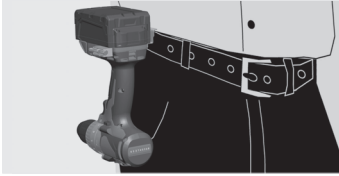


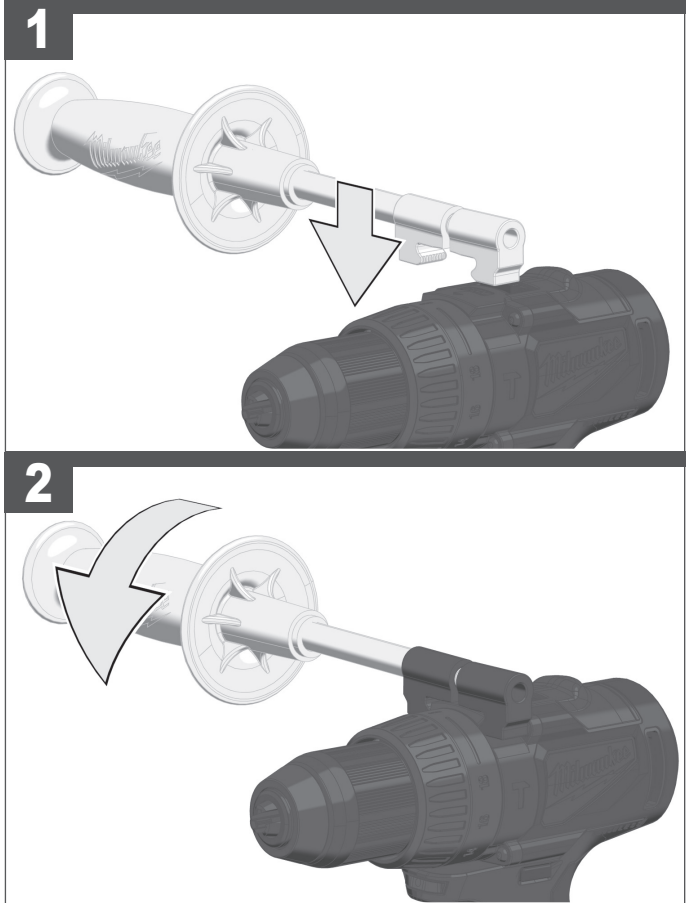
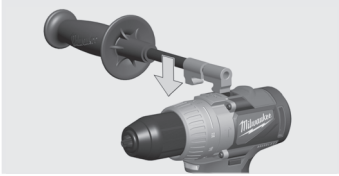
M18 BLPD2













TECHNICAL DATA	CORDLESS PERCUSSION DRILL/DRIVER	M18 BLDD2	M18 BLPD2
Production code	4691 61 01	4691 72 01	4691 72 01
	..000001-999999	..000001-999999	..000001-999999
Drilling capacity in steel	13 mm	13 mm	13 mm
Drilling capacity in wood			
with flat bit	32 mm	32 mm	32 mm
with auger bit	26 mm	26 mm	26 mm
with hole saw	89 mm	89 mm	89 mm
with selffeed bit	65 mm	65 mm	65 mm
Drilling capacity in brick and tile	16 mm	16 mm	16 mm
Wood screws (without pre-drilling)	6 mm	6 mm	6 mm
No-load speed 1st gear	0-550 min ⁻¹	0-550 min ⁻¹	0-550 min ⁻¹
No-load speed 2nd gear	0-1800 min ⁻¹	0-1800 min ⁻¹	0-1800 min ⁻¹
Impact rate 1st gear	- min ⁻¹	0-8800 min ⁻¹	0-8800 min ⁻¹
Impact rate 2nd gear	- min ⁻¹	0-28800 min ⁻¹	0-28800 min ⁻¹
Torque with battery (5.0 Ah)	82 Nm	82 Nm	82 Nm
Battery voltage	18 V	18 V	18 V
Drill chuck range	1.5-13 mm	1.5-13 mm	1.5-13 mm
Weight according EPTA-Procedure 01/2014 (2.0 Ah)	1.74 kg	1.79 kg	1.79 kg
Weight according EPTA-Procedure 01/2014 (5.0 Ah)	2.02 kg	2.07 kg	2.07 kg
Recommended ambient operating temperature		-18...+50 °C	-18...+50 °C
Recommended battery types		M18B...M18HB	M18B...M18HB
Recommended charger		M12-18C, M12-18AC, M12-18FC, M1418C6	M12-18C, M12-18AC, M12-18FC, M1418C6

Noise/vibration information

Measured values determined according to EN 60745.

Typically, the A-weighted noise levels of the tool are:

Sound pressure level (Uncertainty K=3dB(A))	80 dB (A)	92 dB (A)
Sound power level (Uncertainty K=3dB(A))	91 dB (A)	103 dB (A)

Always wear ear protectors!

Total vibration values (vector sum in the three axes) determined according to EN 60745.

Vibration emission value a_h

Percussion drilling into concrete a _{h,10}	11,85 m/s ²
Uncertainty K=	1,5 m/s ²
Drilling into metal a _{h,10}	1,86 m/s ²
Uncertainty K=	1,5 m/s ²
Screwing a _h	2,18 m/s ²
Uncertainty K=	1,5 m/s ²

WARNING

The vibration emission level given in this information sheet has been measured in accordance with a standardised test given in EN 60745 and may be used to compare one tool with another. It may be used for a preliminary assessment of exposure.

The declared vibration emission level represents the main applications of the tool. However if the tool is used for different applications, with different accessories or poorly maintained, the vibration emission may differ. This may significantly increase the exposure level over the total working period.

An estimation of the level of exposure to vibration should also take into account the times when the tool is switched off or when it is running but not actually doing the job. This may significantly reduce the exposure level over the total working period.

Identify additional safety measures to protect the operator from the effects of vibration such as: maintain the tool and the accessories, keep the hands warm, organisation of work patterns.

⚠ WARNING Read all safety warnings, instructions, illustrations and specifications provided with this power tool. Failure to follow all instructions listed below may result in electric shock, fire and/or serious injury.

Save all warnings and instructions for future reference.

⚠ DRILL SAFETY WARNINGS

Wear ear protectors when impact drilling. Exposure to noise can cause hearing loss.

Use auxiliary handle(s), if supplied with the tool. Loss of control can cause personal injury.

Hold the power tool by insulated gripping surfaces, when performing an operation where the cutting accessory may contact hidden wiring. Cutting accessory contacting a "live" wire may make exposed metal parts of the power tool "live" and could give the operator an electric shock.

Never operate at higher speed than the maximum speed rated of the drill bit. At higher speeds, the bit is likely to bend if allowed to rotate freely without contacting the workpiece, resulting the personal injury.

Always start drilling at low speed and with the bit tip in contact with the workpiece. At higher speeds, the bit is likely to bend if allowed to rotate freely without contacting the workpiece, resulting the personal injury.

Apply pressure only in direct line with the bit and do not apply excessive pressure. Bits can bend causing breakage or loss of control, resulting in personal injury.

⚠ SCREWDRIIVER SAFETY WARNINGS

Hold the power the tool by insulated gripping surfaces, when performing an operation where the fastener may contact hidden wiring. Fasteners contacting a "live" wire may make exposed metal parts of the power tool "live" and could give the operator an electric shock.

ADDITIONAL SAFETY AND WORKING INSTRUCTIONS

Use protective equipment. Always wear safety glasses when working with the machine. The use of protective clothing is recommended, such as dust mask, protective gloves, sturdy non-slip footwear, helmet and ear defenders.

The dust produced when using this tool may be harmful to health. Do not inhale the dust. Wear a suitable dust protection mask.

Do not machine any materials that present a danger to health (e.g. asbestos).

Switch the device off immediately if the insertion tool stalls! Do not switch the device on again while the insertion tool is stalled, as doing so could trigger a sudden recoil with a high reactive force. Determine why the insertion tool stalled and rectify this, paying heed to the safety instructions.

The possible causes may be:

- it is tilted in the workpiece to be machined
- it has pierced through the material to be machined
- the power tool is overloaded

Do not reach into the machine while it is running.

The insertion tool may become hot during use.

- when changing tools
- when setting the device down

Sawdust and splinters must not be removed while the machine is running.

When working in walls ceiling, or floor, take care to avoid electric cables and gas or waterpipes.

Clamp your workpiece with a clamping device. Unclamped workpieces can cause severe injury and damage.

Remove the battery pack before starting any work on the machine.

Do not dispose of used battery packs in the household refuse or by burning them. Milwaukee Distributors offer to retrieve old batteries to protect our environment.

Do not store the battery pack together with metal objects (short circuit risk). Use only System M18 chargers for charging System M18 battery packs. Do not use battery packs from other systems.

Never break open battery packs and chargers and store only in dry rooms. Keep dry at all times.

Battery acid may leak from damaged batteries under extreme load or extreme temperatures. In case of contact with battery acid wash it off immediately with soap and water. In case of eye contact rinse thoroughly for at least 10 minutes and immediately seek medical attention.

ALWAYS USE A SIDE HANDLE when using a 9.0 Ah or higher capacity battery pack; the output torque of some tools may increase. If your drill/driver did not come with a side handle, use the spare part side handle (see explosion drawing of the tool).

Do not insert the bit on tool when the tool is running, and switch is lock on status, the bit will be run and may hurt the user

Warning! To reduce the risk of fire, personal injury, and product damage due to a short circuit, never immerse your tool, battery pack or charger in fluid or allow a fluid to flow inside them. Corrosive or conductive fluids, such as seawater, certain industrial chemicals, and bleach or bleach containing products, etc., can cause a short circuit.

SPECIFIED CONDITIONS OF USE

The electronic battery percussion drill/screwdriver may be used for drilling, percussion drilling, as well as screwdriving for independent use away from mains supply.

Do not use this product in any other way as stated for normal use.

EC-DECLARATION OF CONFORMITY

We declare under our sole responsibility that the product described under "Technical Data" fulfills all the relevant provisions of the directives 2011/65/EU (RoHS), 2014/30/EU, 2006/42/EC and the following harmonized standards have been used:

EN 60745-1:2009 + A11:2010
 EN 60745-2-1:2010
 EN 60745-2-2:2010
 EN 55014-1:2017
 EN 55014-2:2015
 EN 50581:2012

Winnenden, 2018-04-30



Alexander Krug
 Managing Director



Authorized to compile the technical file.
 Techtronic Industries GmbH
 Max-Eyth-Straße 10
 71364 Winnenden
 Germany

BATTERIES

Battery packs which have not been used for some time should be recharged before use.

Temperatures in excess of 50°C (122°F) reduce the performance of the battery pack. Avoid extended exposure to heat or sunshine (risk of overheating).

The contacts of chargers and battery packs must be kept clean.

For an optimum life-time, after use, the battery packs have to be fully charged.

To obtain the longest possible battery life remove the battery pack from the charger once it is fully charged.

For battery pack storage longer than 30 days:

Store the battery pack where the temperature is below 27°C and away from moisture

Store the battery packs in a 30% - 50% charged condition

Every six months of storage, charge the pack as normal.

BATTERY PACK PROTECTION

In extremely high torque, binding, stalling and short circuit situations that cause high current draw, the tool will vibrate for about 2 seconds and then the tool will turn OFF.

To reset, release the trigger.

Under extreme circumstances, the internal temperature of the battery could become too high. If this happens, the battery will shut down.

Place the battery on the charger to charge and reset it.

TRANSPORTING LITHIUM BATTERIES

Lithium-ion batteries are subject to the Dangerous Goods Legislation requirements.

Transportation of those batteries has to be done in accordance with local, national and international provisions and regulations.

- The user can transport the batteries by road without further requirements.
- Commercial transport of Lithium-Ion batteries by third parties is subject to Dangerous Goods regulations. Transport preparation and transport are exclusively to be carried out by appropriately trained persons and the process has to be accompanied by corresponding experts.

When transporting batteries:









- Ensure that battery contact terminals are protected and insulated to prevent short circuit.
- Ensure that battery pack is secured against movement within packaging.
- Do not transport batteries that are cracked or leak.

Check with forwarding company for further advice

MAINTENANCE

Use only Milwaukee accessories and spare parts. Should components need to be replaced which have not been described, please contact one of our Milwaukee service agents (see our list of guarantees/service addresses). If needed, an exploded view of the tool can be ordered. Please state the machine type printed as well as the six-digit No. on the label and order the drawing at your local service agents or directly at: Techtronic Industries GmbH, Max-Eyth-Straße 10, 71364 Winnenden, Germany.

SYMBOLS

	CAUTION! WARNING! DANGER!
	Remove the battery pack before starting any work on the machine.
	Please read the instructions carefully before starting the machine.
	Do not dispose electric tools, batteries/rechargeable batteries together with household waste material. Electric tools and batteries that have reached the end of their life must be collected separately and returned to an environmentally compatible recycling facility. Check with your local authority or retailer for recycling advice and collection point.
n_0	No-load speed
V	Volts
	Direct current
	European Conformity Mark
	Ukraine Conformity Mark
	EurAsian Conformity Mark

TECHNISCHE DATEN	AKKU-SCHLAGBOHRSCHRAUBER	M18 BLDD2	M18 BLPD2
Produktionsnummer	4691 61 01	4691 72 01	4691 72 01
	..000001-999999	..000001-999999	..000001-999999
Bohr-Ø in Stahl	13 mm	13 mm	13 mm
Bohr-Ø in Holz			
mit Flachfräsbohrer	32 mm	32 mm	32 mm
mit Schlangenbohrer	26 mm	26 mm	26 mm
mit Lochkreissäge	89 mm	89 mm	89 mm
mit Forstnerbohrer	65 mm	65 mm	65 mm
Bohr-Ø in Ziegel und Kalksandstein	16 mm	16 mm	16 mm
Holzschrauben (ohne Vorbohren)	6 mm	6 mm	6 mm
Leerlaufdrehzahl 1. Gang	0-550 min ⁻¹	0-550 min ⁻¹	0-550 min ⁻¹
Leerlaufdrehzahl 2. Gang	0-1800 min ⁻¹	0-1800 min ⁻¹	0-1800 min ⁻¹
Schlagzahl 1. Gang	- min ⁻¹	0-8800 min ⁻¹	0-8800 min ⁻¹
Schlagzahl 2. Gang	- min ⁻¹	0-28800 min ⁻¹	0-28800 min ⁻¹
Drehmoment (5,0 Ah)	82 Nm	82 Nm	82 Nm
Spannung Wechselakku	18 V	18 V	18 V
Bohrfutterspannbereich	1,5-13 mm	1,5-13 mm	1,5-13 mm
Gewicht nach EPTA-Prozedur 01/2014 (2,0 Ah)	1,74 kg	1,79 kg	1,79 kg
Gewicht nach EPTA-Prozedur 01/2014 (5,0 Ah)	2,02 kg	2,07 kg	2,07 kg
Empfohlene Umgebungstemperatur beim Arbeiten		-18...+50 °C	
Empfohlene Akkutypen		M18B, M18HB	
Empfohlene Ladegeräte		M12-18C, M12-18AC, M12-18FC, M1418C6	

Geräusch/Vibrationsinformation

Messwerte ermittelt entsprechend EN 60745.

Der A-bewertete Geräuschpegel des Gerätes beträgt typischerweise:

Schalldruckpegel (Unsicherheit K=3dB(A))	80 dB (A)	92 dB (A)
Schalleistungspegel (Unsicherheit K=3dB(A))	91 dB (A)	103 dB (A)

Gehörschutz tragen!

Schwingungsgesamtwerte (Vektorsumme dreier Richtungen) ermittelt entsprechend EN 60745.

Schwingungsemissionswert a_{h}

Schlagbohren in Beton a_{hD}	11,85 m/s ²
Unsicherheit K =	1,5 m/s ²
Bohren in Metall a_{hD}	1,86 m/s ²
Unsicherheit K =	1,5 m/s ²
Schrauben a_{hD}	2,18 m/s ²
Unsicherheit K =	1,5 m/s ²

WARNUNG

Der in diesen Anweisungen angegebene Schwingungspegel ist entsprechend einem in EN 60745 genannten Messverfahren gemessen worden und kann für den Vergleich von Elektrowerkzeugen miteinander verwendet werden. Er eignet sich auch für eine vorläufige Einschätzung der Schwingungsbelastung.

Der angegebene Schwingungspegel repräsentiert die hauptsächlichsten Anwendungen des Elektrowerkzeugs. Wenn allerdings das Elektrowerkzeug für andere Anwendungen, mit abweichenden Einsatzwerkzeugen oder ungenügender Wartung eingesetzt wird, kann der Schwingungspegel abweichen. Dies kann die Schwingungsbelastung über den gesamten Arbeitszeitraum deutlich erhöhen.

Für eine genaue Abschätzung der Schwingungsbelastung sollten auch die Zeiten berücksichtigt werden, in denen das Gerät abgeschaltet ist oder zwar läuft, aber nicht tatsächlich im Einsatz ist. Dies kann die Schwingungsbelastung über den gesamten Arbeitszeitraum deutlich reduzieren.

Legen Sie zusätzliche Sicherheitsmaßnahmen zum Schutz des Bedieners vor der Wirkung von Schwingungen fest wie zum Beispiel: Wartung von Elektrowerkzeug und Einsatzwerkzeugen, Warmhalten der Hände, Organisation der Arbeitsabläufe.

⚠️ WARNUNG! Lesen Sie alle Sicherheitshinweise, Anweisungen, Darstellungen und Spezifikationen für dieses Elektrowerkzeug. Versäumnisse bei der Einhaltung der nachstehenden Anweisungen können elektrischen Schlag, Brand und/oder schwere Verletzungen verursachen.
Behalten Sie alle Sicherheitshinweise und Anweisungen für die Zukunft auf.

⚠️ SICHERHEITSHINWEISE FÜR BOHRMASCHINEN

Tragen Sie Gehörschutz beim Schlagbohren. Die Einwirkung von Lärm kann Gehörverlust bewirken.

Benutzen Sie die mit dem Gerät gelieferten Zusatzhandgriffe, wenn diese mitgeliefert werden. Der Verlust der Kontrolle kann zu Verletzungen führen.

Halten Sie das Gerät an den isolierten Griffflächen, wenn Sie Arbeiten ausführen, bei denen das Einsatzwerkzeug verborgene Stromleitungen oder das eigene Netzkabel treffen kann.

Der Kontakt mit einer spannungsführenden Leitung kann metallene Geräteteile unter Spannung setzen und zu einem elektrischen Schlag führen.

Verwenden Sie niemals eine höhere Drehzahl als die maximale Drehzahl, die für den Bohreinsatz angegeben ist. Bei höheren Drehzahlen kann sich der Bohreinsatz verbiegen, wenn er ohne Kontakt zum Werkstück dreht, was zu Verletzungen führen kann.

Starten Sie immer mit einer niedrigen Drehzahl und während sich der Bohreinsatz in Kontakt mit dem Werkstück befindet. Bei höheren Drehzahlen kann sich der Bohreinsatz verbiegen, wenn er ohne Kontakt zum Werkstück dreht, was zu Verletzungen führen kann.

Üben Sie Druck immer nur in direkter Ausrichtung zum Bohreinsatz aus und drücken Sie nicht zu fest. Bohreinsätze können verbiegen und brechen oder zu einem Verlust der Kontrolle über das Gerät führen, wodurch es wiederum zu Verletzungen kommen kann.

⚠️ SICHERHEITSHINWEISE FÜR SCHRAUBER

Halten Sie das Gerät an den isolierten Griffflächen, wenn Sie Arbeiten ausführen, bei denen die Schraube verborgene Stromleitungen treffen kann. Der Kontakt der Schraube mit einer spannungsführenden Leitung kann metallene Geräteteile unter Spannung setzen und zu einem elektrischen Schlag führen.

WEITERE SICHERHEITS- UND ARBEITSHINWEISE

Schutzrüstung verwenden. Beim Arbeiten mit der Maschine stets Schutzbrille tragen. Schutzkleidung wie Staubschutzmaske, Schutzhandschuhe, festes und rutschsicheres Schuhwerk. Helm und Gehörschutz werden empfohlen.

Beim Arbeiten entstehender Staub ist oft gesundheitsschädlich und sollte nicht in den Körper gelangen. Geeignete Staubschutzmaske tragen.

Es dürfen keine Materialien bearbeitet werden, von denen eine Gesundheitsgefährdung ausgeht (z.B. Asbest).

Beim Blockieren des Einsatzwerkzeuges bitte das Gerät sofort ausschalten! Schalten Sie das Gerät nicht wieder ein, solange das Einsatzwerkzeug blockiert ist; hierbei könnte ein Rückschlag mit hohem Reaktionsmoment entstehen. Ermitteln und beheben Sie die Ursache für die Blockierung des Einsatzwerkzeuges unter Berücksichtigung der Sicherheitshinweise.

Mögliche Ursachen dafür können sein:

- Verkranten im zu bearbeitenden Werkstück
- Durchbrechen des zu bearbeitenden Materials
- Überlasten des Elektrowerkzeuges

Greifen Sie nicht in die laufende Maschine.

Das Einsatzwerkzeug kann während der Anwendung heiß werden.

WARNUNG! Verbrennungsgefahr

- bei Werkzeugwechsel

- bei Ablegen des Gerätes

Späne oder Splitter dürfen bei laufender Maschine nicht entfernt werden.

Beim Arbeiten in Wand, Decke oder Fußboden auf elektrische Kabel, Gas- und Wasserleitungen achten.

Sichern Sie Ihr Werkstück mit einer Spannvorrichtung. Nicht gesicherte Werkstücke können schwere Verletzungen und Beschädigungen verursachen.

Vor allen Arbeiten an der Maschine den Wechselakku herausnehmen

Verbrauchte Wechselakkus nicht ins Feuer oder in den Hausmüll werfen. Milwaukee bietet eine umweltgerechte Alt-Wechselakku-Entsorgung an; bitte fragen Sie Ihren Fachhändler.

Wechselakkus nicht zusammen mit Metallgegenständen aufbewahren (Kurzschlussgefahr).

Wechselakkus des Systems M18 nur mit Ladegeräten des Systems M18 laden. Keine Akkus aus anderen Systemen laden.

Wechselakkus und Ladegeräte nicht öffnen und nur in trockenen Räumen lagern. Vor Nässe schützen.

Unter extremer Belastung oder extremer Temperatur kann aus beschädigten Wechselakkus Batterieflüssigkeit auslaufen. Bei Berührung mit Batterieflüssigkeit sofort mit Wasser und Seife abwaschen. Bei Augenkontakt sofort mindestens 10 Minuten gründlich spülen und unverzüglich einen Arzt aufsuchen.

IMMER EINEN ZUSATZHANDGRIFF VERWENDEN, wenn ein Akku mit einer Kapazität von 9,0 Ah oder höher verwendet wird; das Drehmoment einiger Elektrowerkzeuge kann sich erhöhen. Wurde Ihr Bohrschrauber oder Schlagbohrschrauber ohne Zusatzhandgriff geliefert, verwenden Sie bitte das Ersatzteil des Zusatzhandgriffs (siehe Explosionszeichnung des Elektrowerkzeuges). Setzen Sie keinen Bit ein, wenn die Maschine läuft und der Schalterdrücker nicht verriegelt ist. Der drehende Bit kann den Anwender verletzen.

Warnung! Um die durch einen Kurzschluss verursachte Gefahr eines Brandes, von Verletzungen oder Produktbeschädigungen zu vermeiden, tauchen Sie das Werkzeug, den Wechselakku oder das Ladegerät nicht in Flüssigkeiten ein und sorgen Sie dafür, dass keine Flüssigkeiten in die Geräte und Akkus eindringen. Korrodierende oder leitfähige Flüssigkeiten, wie Salzwasser, bestimmte Chemikalien und Bleichmittel oder Produkte, die Bleichmittel enthalten, können einen Kurzschluss verursachen.

BESTIMMUNGSGEMÄSSE VERWENDUNG

Der Akku-Elektronik-Schlagbohrschrauber ist universell einsetzbar zum Bohren, Schlagbohren und Schrauben unabhängig von einem Netzanschluss.

Dieses Gerät darf nur wie angegeben bestimmungsgemäß verwendet werden.

CE-KONFORMITÄTSERKLÄRUNG

Wir erklären in alleiniger Verantwortung, dass das unter „Technische Daten“ beschriebene Produkt mit allen relevanten Vorschriften der Richtlinie 2011/65/EU (RoHS), 2014/30/EU, 2006/42/EG und den folgenden harmonisierten normativen Dokumenten übereinstimmt:

EN 60745-1:2009 + A11:2010

EN 60745-2-1:2010

EN 60745-2-2:2010

EN 55014-1:2017

EN 55014-2:2015

EN 50581:2012

Winnenden, 2018-04-30




Alexander Krug
Managing Director

Bevollmächtigt die technischen Unterlagen zusammenzustellen

Technronic Industries GmbH
Max-Eyth-Straße 10

71364 Winnenden
Germany

AKKUS

Längere Zeit nicht benutzte Wechselakkus vor Gebrauch nachladen.

Eine Temperatur über 50°C vermindert die Leistung des Wechselakkus. Längere Erwärmung durch Sonne oder Heizung vermeiden.

Die Anschlusskontakte an Ladegerät und Wechselakku sauber halten.

Für eine optimale Lebensdauer müssen nach dem Gebrauch die Akkus voll geladen werden.

Für eine möglichst lange Lebensdauer sollten die Akkus nach dem Aufladen aus dem Ladegerät entfernt werden.

Bei Lagerung des Akkus länger als 30 Tage:

Akku bei ca. 27°C und trocken lagern.

Akku bei ca. 30%-50% des Ladezustandes lagern.

Akku alle 6 Monate erneut aufladen.

AKKUÜBERLASTSCHUTZ

Bei Überlastung des Akkus durch sehr hohen Stromverbrauch, z.B. extrem hohe Drehmomente, Verklemmen des Bohrers, plötzlichem Stopp oder Kurzschluss, brummt das Elektrowerkzeug 2 Sekunden lang und schaltet sich selbsttätig ab.

Zum Wiedereinschalten, den Schalterdrücker loslassen und dann wieder einschalten. Unter extremen Belastungen kann sich der Akku stark erhitzen. In diesem Fall schaltet der Akku ab.

Den Akku dann in das Ladegerät stecken um ihn wieder aufzuladen und zu aktivieren.

TRANSPORT VON LITHIUM-IONEN-AKKUS

Lithium-Ionen-Akkus fallen unter die gesetzlichen Bestimmungen zum Gefahrguttransport.

Der Transport dieser Akkus muss unter Einhaltung der lokalen, nationalen und internationalen Vorschriften und Bestimmungen erfolgen.

- Verbraucher dürfen diese Akkus ohne Weiteres auf der Straße transportieren.

- Der kommerzielle Transport von Lithium-Ionen-Akkus durch Speditionsunternehmen unterliegt den Bestimmungen des Gefahrguttransports. Die Versandvorbereitungen und der Transport dürfen ausschließlich von entsprechend geschulten Personen durchgeführt werden. Der gesamte Prozess muss fachmännisch begleitet werden.

Folgende Punkte sind beim Transport von Akkus zu beachten:

- Stellen Sie sicher, dass die Kontakte geschützt und isoliert sind, um Kurzschlüsse zu vermeiden.
- Achten Sie darauf, dass der Akkupack innerhalb der Verpackung nicht verrutschen kann.
- Beschädigte oder auslaufende Akkus dürfen nicht transportiert werden.

Wenden Sie sich für weitere Hinweise an Ihr Speditionsunternehmen.

WARTUNG

Nur Milwaukee Zubehör und Ersatzteile verwenden. Bauteile, deren Austausch nicht beschrieben wurde, bei einer Milwaukee Kundendienststelle auswechseln lassen (Broschüre Garantie/Kundendienstadressen beachten).

Bei Bedarf kann eine Explosionszeichnung des Gerätes unter Angabe der Maschinen Type und der sechsstelligen Nummer auf dem Leistungsschild bei Ihrer Kundendienststelle oder direkt bei Technronic Industries GmbH, Max-Eyth-Straße 10, 71364 Winnenden, Germany angefordert werden.

SYMBOLE



ACHTUNG! WARNUNG! GEFAHR!



Vor allen Arbeiten an der Maschine den Wechselakku herausnehmen



Bitte lesen Sie die Gebrauchsanweisung vor Inbetriebnahme sorgfältig durch.



Elektrogeräte, Batterien/Akkus dürfen nicht zusammen mit dem Hausmüll entsorgt werden. Elektrische Geräte und Akkus sind getrennt zu sammeln und zur umweltgerechten Entsorgung bei einem Verwertungsbetrieb abzugeben. Erkundigen Sie sich bei den örtlichen Behörden oder bei Ihrem Fachhändler nach Recyclinghöfen und Sammelstellen.



Leerlaufdrehzahl



Spannung



Gleichstrom



Europäisches Konformitätszeichen



Ukrainisches Konformitätszeichen



Euroasiatisches Konformitätszeichen

CARACTÉRISTIQUES TECHNIQUES PERCEUSE VISSEUSE À PERCUSSION SANS FI	M18 BLDD2	M18 BLPD2
Numéro de série.....	4691 61 01... ..000001-999999	4691 72 01... ..000001-999999
Ø de perçage dans acier.....	13 mm	13 mm
Ø de perçage dans bois		
avec flat bit.....	32 mm	32 mm
avec mèche à spirale.....	26 mm	26 mm
avec scie cloché.....	89 mm	89 mm
avec mèche à façonner.....	65 mm	65 mm
Ø de perçage dans brique et grès argilo-calcaire.....	16 mm	16 mm
Vis à bois (sans avant trou).....	6 mm	6 mm
Vitesse de rotation 1ère vitesse.....	0-550 min ⁻¹	0-550 min ⁻¹
Vitesse de rotation 2ème vitesse.....	0-1800 min ⁻¹	0-1800 min ⁻¹
Perçage à percussion 1ère vitesse.....	- min ⁻¹	0-8800 min ⁻¹
Perçage à percussion 2ème vitesse.....	- min ⁻¹	0-28800 min ⁻¹
Couple (5,0 Ah).....	82 Nm	82 Nm
Tension accu interchangeable.....	18 V	18 V
Plaque de serrage du mandrin.....	1,5-13 mm	1,5-13 mm
Poids suivant EPTA-Procédure 01/2014 (2,0 Ah).....	1,74 kg	1,79 kg
Poids suivant EPTA-Procédure 01/2014 (5,0 Ah).....	2,02 kg	2,07 kg
Température conseillée lors du travail.....	-18...+50 °C	
Batteries conseillées.....	M18B...M18HB	
Chargeurs de batteries conseillés.....	M12-18C, M12-18AC, M12-18FC, M1418CC	

Informations sur le bruit et les vibrations

Valeurs de mesure obtenues conformément à la EN 60745.

La mesure réelle (A) du niveau de bruit de l'outil est

Niveau de pression acoustique (Incertitude K=3dB(A))	80 dB (A)	92 dB (A)
Niveau d'intensité acoustique (Incertitude K=3dB(A))	91 dB (A)	103 dB (A)

Toujours porter une protection acoustique!

Valeurs totales des vibrations (somme vectorielle de trois sens) établies conformément à EN 60745.

Valeur d'émission vibratoire a_v

Perçage à percussion dans le béton a _{v, ID}	11,85 m/s ²
Incertitude K=.....	1,5 m/s ²
Perçage dans le métal a _{v, D}	1,86 m/s ²
Incertitude K=.....	1,5 m/s ²
Vissage a _v	2,18 m/s ²
Incertitude K=.....	1,5 m/s ²

AVERTISSEMENT

Le niveau vibratoire indiqué dans ces instructions a été mesuré selon un procédé de mesure normalisé dans la norme EN 60745 et peut être utilisé pour comparer des outils électriques entre eux. Il convient aussi à une estimation provisoire de la sollicitation par les vibrations.

Le niveau vibratoire indiqué représente les applications principales de l'outil électrique. Toutefois, si l'outil électrique est utilisé pour d'autres applications, avec des outils rapportés qui diffèrent ou une maintenance insuffisante, il se peut que le niveau vibratoire diverge. Cela peut augmenter nettement la sollicitation par les vibrations sur tout l'intervalle de temps du travail.

Pour une estimation précise de la sollicitation par les vibrations, on devrait également tenir compte des temps pendant lesquels l'appareil n'est pas en marche ou tourne sans être réellement en service. Cela peut réduire nettement la sollicitation par les vibrations sur tout l'intervalle de temps du travail.

Définissez des mesures de sécurité supplémentaires pour protéger l'utilisateur contre l'influence des vibrations, comme par exemple : la maintenance de l'outil électrique et des outils rapportés, le maintien au chaud des mains, l'organisation des déroulements de travail.

⚠ AVERTISSEMENT! Lire tous les avertissements de sécurité, les instructions opérationnelles, les illustrations et les spécifications fournies avec cet outil électrique. La non observance des instructions mentionnées ci-dessous peut causer des chocs électriques, des incendies ou de graves blessures.
Conserver tous les avertissements et toutes les instructions pour pouvoir s'y reporter ultérieurement.

⚠ INSTRUCTIONS DE SÉCURITÉ POUR PERCEUSES

Porter un casque de protection au cours du perçage à percussion. L'exposition au bruit pourrait provoquer une diminution de l'ouïe.

Utilisez les poignées supplémentaires livrées en même temps que l'appareil. La perte de contrôle peut mener à des blessures.

Maintenez l'appareil par les surfaces de poignée isolées lorsque vous exécutez des travaux pendant lesquels l'outil de coupe peut toucher des lignes électriques dissimulées ou le propre câble.

Le contact de l'outil de coupe avec un câble qui conduit la tension peut mettre les pièces métalliques de l'appareil sous tension et mener à une décharge électrique.

N'utilisez jamais une vitesse de rotation plus élevée que la vitesse maximale indiquée pour le foret. Si la vitesse est plus élevée, le foret peut se tordre s'il tourne sans être en contact avec la pièce à usiner, ce qui peut entraîner des blessures.

Commencez toujours à percer avec une vitesse faible lorsque le foret se trouve en contact avec la pièce à usiner. Si la vitesse est plus élevée, le foret peut se tordre s'il tourne sans être en contact avec la pièce à usiner, ce qui peut entraîner des blessures.

Exercez toujours une pression uniquement dans l'orientation directe du foret. N'appuyez pas trop fort. Les forets peuvent se tordre et se rompre ou entraîner une perte de contrôle de l'appareil, ce qui peut entraîner des blessures.

⚠ INSTRUCTIONS DE SÉCURITÉ POUR VISSEUSES

Tenir l'appareil aux surfaces isolées faisant office de poignée pendant les travaux au cours desquels la vis peut toucher des lignes électriques dissimulées. Le contact de la vis avec un câble qui conduit la tension peut mettre des parties d'appareil en métal sous tension et mener à une décharge électrique.

AVIS COMPLÉMENTAIRES DE SÉCURITÉ ET DE TRAVAIL

Utiliser l'équipement de protection. Toujours porter des lunettes de protection pendant le travail avec la machine. Il est recommandé de porter des articles de protection, tels que masque antipoussière, gants de protection, chaussures tenant bien aux pieds et antidérapantes, casque et protection acoustique.

Les poussières qui sont dégagées pendant les travaux sont souvent nocives pour la santé et ne devraient pas pénétrer dans le corps. Porter un masque de protection approprié contre les poussières.

Il est interdit de travailler des matériaux dangereux pour la santé (par ex. amiante).

Désactiver immédiatement le dispositif en cas de blocage ! Ne pas réactiver le dispositif avec l'outil bloqué; il y a le risque de provoquer un contrecoup avec moment de réaction élevé. Établir et éliminer la cause du blocage de l'outil en prêtant attention aux consignes de sécurité.

Les causes possibles sont :

- Encastrement dans la pièce à travailler.
- Le dispositif a traversé le matériau à travailler en le cassant.
- Le dispositif électrique a été surchargé.

Ne pas approcher les mains de la partie en mouvement de la machine.

Durant l'utilisation, l'outil peut se surchauffer.

AVERTISSEMENT! Danger de brûlures

- durant le remplacement de l'outil
- durant la dépose de l'outil

Ne jamais enlever les copeaux ni les éclats lorsque la machine est en marche.
Lors du perçage dans les murs, les plafonds ou les planchers, toujours faire attention aux câbles électriques et aux conduites de gaz et d'eau.
Fixer fermement la pièce en exécution à l'aide d'un dispositif de serrage. Des pièces en exécution non fermement fixées peuvent provoquer des dommages et des lésions graves.

Avant tous travaux sur la machine retirer l'accu interchangeable.
Ne pas jeter les accus interchangeables usés au feu ou avec les déchets ménagers. Milwaukee offre un système d'évacuation écologique des accus usés.
Ne pas conserver les accus interchangeables avec des objets métalliques (risque de court-circuit)
Ne charger les accus interchangeables du système M18 qu'avec le chargeur d'accus du système M18. Ne pas charger des accus d'autres systèmes.

Ne pas ouvrir les accus interchangeables et les chargeurs et ne les stocker que dans des locaux secs. Les protéger contre l'humidité.
En cas de conditions ou températures extrêmes, du liquide caustique peut s'échapper d'un accu interchangeable endommagé. En cas de contact avec le liquide caustique de la batterie, laver immédiatement avec de l'eau et du savon. En cas de contact avec les yeux, rincer soigneusement avec de l'eau et consulter immédiatement un médecin.

En cas d'utilisation d'une batterie avec capacité de 9,0 Ah ou supérieure, TOUJOURS EMPLOYER UNE POIGNÉE SUPPLÉMENTAIRE ; le couple de certains outils électriques pourrait augmenter. Si votre perceuse-visseuse ou perceuse-visseuse à percussion n'est pas équipée de poignée supplémentaire, veuillez utiliser la poignée supplémentaire de rechange (voir le dessin éclaté de l'outil électrique).

Ne pas insérer la pointe lors du fonctionnement de la machine et lorsque l'interrupteur n'est pas bloqué. La pointe tournante peut blesser l'utilisateur.

Avertissement! Pour réduire le risque d'incendie, de blessures corporelles et de dommages causés par un court-circuit, ne jamais immerger l'outil, le bloc-piles ou le chargeur dans un liquide ou laisser couler un fluide à l'intérieur de celui-ci. Les fluides corrosifs ou conducteurs, tels que l'eau de mer, certains produits chimiques industriels, les produits de blanchiment ou de blanchiment, etc., peuvent provoquer un court-circuit.

UTILISATION CONFORME AUX PRESCRIPTIONS

La perceuse-visseuse à percussion électronique à accu est conçue pour un travail universel de perçage à percussion, de perçage et de vissage sans être branchée sur le secteur.

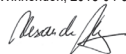
Comme déjà indiqué, cette machine n'est conçue que pour être utilisée conformément aux prescriptions.

DÉCLARATION CE DE CONFORMITÉ

Nous déclarons sous notre seule responsabilité que le produit décrit sous « Caractéristiques techniques » concorde avec toutes les consignes pertinentes de la directive 2011/65 EU (RoHS), 2014/30/UE, 2006/42/CE et les documents normatifs harmonisés suivants :

EN 60745-1:2009 + A11:2010
EN 60745-2-1:2010
EN 60745-2-2:2010
EN 55014-1:2017
EN 55014-2:2015
EN 50581:2012

Winnenden, 2018-04-30



Alexander Krug
Managing Director
Autorisé à compiler la documentation technique.
Techtronic Industries GmbH
Max-Eyth-Straße 10
71364 Winnenden
Germany



ACCUS

Recharger les accus avant utilisation après une longue période de non utilisation. Une température supérieure à 50°C amoindrit la capacité des accus. Éviter les expositions prolongées au soleil ou au chauffage.

Tenir propres les contacts des accus et des chargeurs.

Après l'usage, les accus doivent être chargés entièrement pour une durée de vie optimale.

Pour une plus longue durée de vie, enlever les batteries du chargeur de batterie quand celles-ci seront chargées.

En cas d'entreposage de la batterie pour plus de 30 jours:

Entreposer la batterie à 27°C environ dans un endroit sec.

Entreposer la batterie avec une charge d'environ 30% - 50%.

Recharger la batterie tous les 6 mois.

PROTECTION DE L'ACCU CONTRE LES SURCHARGES

En cas de surcharge de l'accu suite à une consommation de courant très élevée, par exemple des couples extrêmement hauts, un coincement du forêt, un arrêt soudain ou un court-circuit, l'outil électrique se met à bourdonner pendant 2 secondes et s'éteint

automatiquement.

Pour le remettre en marche, il faut relâcher le poussoir de commutateur, puis l'enclencher à nouveau.

Il se peut que l'accu s'échauffe fortement s'il est soumis à des sollicitations extrêmes. Dans ce cas, il se déconnecte.

Mettre alors l'accu en place dans le chargeur pour le recharger et l'activer.

TRANSPORT DE BATTERIES LITHIUM-ION

Les batteries lithium-ion sont soumises aux dispositions législatives concernant le transport de produits dangereux.

Le transport de ces batteries devra s'effectuer dans le respect des dispositions et des normes locales, nationales et internationales.

- Les utilisateurs peuvent transporter ces batteries sans restrictions.
- Le transport commercial de batteries lithium-ion est réglé par les dispositions concernant le transport de produits dangereux. La préparation au transport et le transport devront être effectués uniquement par du personnel formé de façon adéquate. Tout le procédé devra être géré d'une manière professionnelle.

Durant le transport de batteries il faut respecter les consignes suivantes :

- S'assurer que les contacts soient protégés et isolés en vue d'éviter des courts-circuits.
- S'assurer que le groupe de batteries ne puisse pas se déplacer à l'intérieur de son emballage.
- Des batteries endommagées ou des batteries perdant du liquide ne devront pas être transportées.









Pour tout renseignement complémentaire veuillez vous adresser à votre transporteur professionnel.

ENTRETIEN

Utiliser uniquement les accessoires Milwaukee et les pièces détachées Milwaukee. Faire remplacer les composants dont le remplacement n'a pas été décrit, par un des centres de service après-vente Milwaukee (observer la brochure avec les adresses de garantie et de service après-vente).

En cas de besoin il est possible de demander un dessin éclaté du dispositif en indiquant le modèle de la machine et le numéro de six chiffres imprimé sur la plaquette de puissance et en s'adressant au centre d'assistance technique ou directement à Techtronic Industries GmbH, Max-Eyth-Straße 10, 71364 Winnenden, Germany.

SYMBOLES

	ATTENTION! AVERTISSEMENT! DANGER!
	Avant tous travaux sur la machine retirer l'accu interchangeable.
	Veuillez lire avec soin le mode d'emploi avant la mise en service
	Les dispositifs électriques, les batteries et les batteries rechargeables ne sont pas à éliminer dans les déchets ménagers. Les dispositifs électriques et les batteries sont à collecter séparément et à remettre à un centre de recyclage en vue de leur élimination dans le respect de l'environnement. S'adresser aux autorités locales ou au détaillant spécialisé en vue de connaître l'emplacement des centres de recyclage et des points de collecte.
n	Vitesse de rotation à vide
V	Tension (V c.a.)
	Courant continu
	Marque de conformité européenne
	Marque de conformité ukrainienne
	Marque de conformité d'Eurasie

DATI TECNICI	TRAPANO AVVITATORE A BATTERIA	M18 BLDD2	M18 BLPD2
Numero di serie	4691 61 01.....	4691 72 01...	4691 72 01...
	..000001-999999	..000001-999999	..000001-999999
Ø Foratura in acciaio.....	13 mm	13 mm	13 mm
Ø Foratura in legno			
con flat bit.....	32 mm	32 mm	32 mm
con punta a spirale	26 mm	26 mm	26 mm
con sega a tazza.....	89 mm	89 mm	89 mm
con punta Forstner.....	65 mm	65 mm	65 mm
Ø Foratura in mattone e in arenaria calcarea			
Avvitatore nel legno (senza preforatura)	6 mm	6 mm	6 mm
Numero di giri a vuoto in 1. velocità	0-550 min ⁻¹	0-550 min ⁻¹	0-550 min ⁻¹
Numero di giri a vuoto in 2. velocità	0-1800 min ⁻¹	0-1800 min ⁻¹	0-1800 min ⁻¹
Percussione a pieno in 1. velocità	- min ⁻¹	0-8800 min ⁻¹	0-8800 min ⁻¹
Percussione a pieno in 2. velocità	- min ⁻¹	0-28800 min ⁻¹	0-28800 min ⁻¹
Momento torcente (5,0 Ah).....	82 Nm	82 Nm	82 Nm
Tensione batteria	18 V	18 V	18 V
Capacità mandrino	1,5-13 mm	1,5-13 mm	1,5-13 mm
Peso secondo la procedura EPTA 01/2014 (2,0 Ah)	1,74 kg	1,79 kg	1,79 kg
Peso secondo la procedura EPTA 01/2014 (5,0 Ah)	2,02 kg	2,07 kg	2,07 kg
Temperatura consigliata durante il lavoro		-18, +50 °C	
Batterie consigliate		M18B, M18HB	
Caricatori consigliati		M12-18C, M12-18AC, M12-18FC, M1418C6	

Informazioni sulla rumorosità/sulle vibrazioni

Valori misurati conformemente alla norma EN 60745.

La misurazione A della pressione del livello sonoro di un utensile di solito deve essere

Livello di rumorosità (Incertezza della misura K=3dB(A)).....	80 dB (A)	92 dB (A)
Potenza della rumorosità (Incertezza della misura K=3dB(A)).....	91 dB (A)	103 dB (A)

Utilizzare le protezioni per l'udito

Valori totali delle oscillazioni (somma di vettori in tre direzioni) misurati

conformemente alla norma EN 60745

Valore di emissione dell'oscillazione a_{hD}

Perforazione a percussione a _{hD}		11,85 m/s ²
Incertezza della misura K=.....		1,5 m/s ²
Perforazione in metallo l a _{hD}	1,86 m/s ²	1,86 m/s ²
Incertezza della misura K=.....	1,5 m/s ²	1,5 m/s ²
Avvitatura a _{hD}	2,18 m/s ²	2,18 m/s ²
Incertezza della misura K=.....	1,5 m/s ²	1,5 m/s ²

AVVERTENZA

Il livello di vibrazioni indicato nelle presenti istruzioni è stato misurato in conformità con un procedimento di misurazione codificato nella EN 60745 e può essere utilizzato per un confronto tra attrezzi elettrici. Inoltre si può anche utilizzare per una valutazione preliminare della sollecitazione da vibrazioni.

Il livello di vibrazioni indicato rappresenta le applicazioni principali dell'attrezzo elettrico. Se viceversa si utilizza l'attrezzo elettrico per altri scopi, con accessori differenti o con una manutenzione insufficiente, il livello di vibrazioni può risultare diverso. E questo può aumentare decisamente la sollecitazione da vibrazioni lungo l'intero periodo di lavorazione.

Ai fini di una valutazione precisa della sollecitazione da vibrazioni si dovrebbero tenere presente anche i periodi in cui l'apparecchio rimane spento oppure, anche se acceso, non viene effettivamente utilizzato. Ciò può ridurre notevolmente la sollecitazione da vibrazioni lungo l'intero periodo di lavorazione.

Stabilite misure di sicurezza supplementari per la tutela dell'operatore dall'effetto delle vibrazioni, come ad esempio: manutenzione dell'attrezzo elettrico e degli accessori, riscaldamento delle mani, organizzazione dei processi di lavoro.

⚠ AVVERTENZA! Leggere tutte le avvertenze di sicurezza, istruzioni operative, illustrazioni e specifiche fornite con questo elettroutensile.

Il mancato rispetto delle istruzioni di seguito riportate può causare scosse elettriche, incendi e/o lesioni gravi.

Conservare tutte le avvertenze di pericolo e le istruzioni operative per ogni esigenza futura.

⚠ INDICAZIONI DI SICUREZZA PER TRAPANI

Indossare cuffie protettive durante la trapanatura a percussione.

L'esposizione al rumore potrebbe comportare una riduzione dell'udito.

Utilizzare l'utensile con la sua impugnatura supplementare. La perdita di controllo potrebbe causare danneggiamenti all'utilizzatore.

Impugnare l'apparecchio sulle superfici di tenuta isolate mentre si eseguono lavori durante i quali l'utensile da taglio potrebbe entrare in contatto con cavi di corrente o con il proprio cavo d'alimentazione.

L'eventuale contatto dell'utensile da taglio con un cavo sotto tensione potrebbe mettere sotto tensione le parti metalliche dell'apparecchio e provocare una folgorazione.

Non usare mai un numero di giri superiore a quello massimo indicato per la punta da trapano. Lavorando con un numero di giri superiore, la punta potrebbe piegarsi quando gira senza contatto con il pezzo in lavorazione e potrebbe causare lesioni.

Iniziare sempre con un numero di giri basso e con la punta in contatto con il pezzo in lavorazione. Lavorando con un numero di giri superiore, la punta potrebbe piegarsi quando gira senza contatto con il pezzo in lavorazione e potrebbe causare lesioni.

Esercitare pressione soltanto nella stessa direzione della punta e non premere troppo. Le punte potrebbero piegarsi e rompersi o potrebbero causare la perdita di controllo sul dispositivo, il che a sua volta potrebbe causare lesioni.

⚠ INDICAZIONI DI SICUREZZA PER AVVITATORI

Quando si svolge un'operazione in cui la vite potrebbe entrare in contatto con conduttori elettrici nascoste impugnare l'apparecchio afferrandolo per le superfici isolate. La vite che entra in contatto con una conduttura in tensione può mettere sotto tensione le parti metalliche dell'apparecchio e causare scosse elettriche.

ULTERIORI AVVISI DI SICUREZZA E DI LAVORO

Usare dispositivi di protezione. Durante il lavoro con la macchina bisogna sempre portare occhiali di protezione. Si consiglia di indossare indumenti di protezione come maschera antipolvere, guanti di protezione, scarpe antiscivolo robuste, casco e cuffie di protezione acustica.

La polvere che si produce durante il lavoro è spesso dannosa per la salute e non dovrebbe essere aspirata. Portare un'adeguata mascherina protettiva.

E' vietato lavorare materiali che possono costituire pericoli alla salute (ad es. amianto).

Spegnerne immediatamente il dispositivo in caso di bloccaggio! Non riaccendere il dispositivo fino a quando l'utensile ad inserto resta bloccato; esiste il rischio di causare un contraccolpo con elevato momento di reazione. Rilevare ed eliminare la causa del bloccaggio dell'utensile ad inserto tenendo conto delle indicazioni di sicurezza.

Le possibili cause sono:

- Incastro nel pezzo in lavorazione
- Il dispositivo ha attraversato il materiale da lavorare rompendolo
- Il dispositivo elettrico è stato sovraccaricato

Non avvicinare le mani alla parte della macchina in movimento.

Durante l'uso l'utensile ad inserto può surriscaldarsi.

AVVERTENZA! Pericolo di ustioni

- durante la sostituzione dell'utensile

- durante il deposito dell'utensile

Non rimuovere trucioli o schegge mentre l'utensile è in funzione.

Forando pareti, soffitti o pavimenti, si faccia attenzione ai cavi elettrici e alle condutture dell'acqua e del gas.

Fissare in sicurezza il pezzo in lavorazione con un dispositivo di serraggio. Pezzi in lavorazione che non siano fissati in sicurezza possono causare gravi lesioni e danni.

Prima di iniziare togliere la batteria dalla macchina.

Non gettare le batterie esaurite sul fuoco o nella spazzatura di casa. La Milwaukee offre infatti un servizio di recupero batterie usate.

Nel vano d'innesto per la batteria del caricatore non devono entrare parti metalliche (pericolo di cortocircuito).

Le batterie del System M18 sono ricaricabili esclusivamente con i caricatori del System M18. Le batterie di altri sistemi non possono essere ricaricate.

Non aprire né la batteria né il caricatore e conservarli solo in luogo asciutto. Proteggerli dalla umidità.

Nel caso di batterie danneggiate da un carico eccessivo o da temperature alte, l'acido di queste potrebbe fuoriuscire. In caso di contatto con l'acido delle batterie lavarsi immediatamente con acqua e sapone. In caso di contatto con gli occhi risciacquare immediatamente con acqua per almeno 10 minuti e contattare subito un medico.

USARE SEMPRE UN'IMPUGNATURA AGGIUNTIVA se si usa una batteria con capacità di 9,0 Ah o superiore; la coppia di alcuni utensili elettrici potrebbe aumentare. Se il vostro trapano avvitatore o trapano avvitatore a percussione è sprovvisto di impugnatura aggiuntiva, si prega di utilizzare l'impugnatura aggiuntiva di ricambio (vedi il disegno esploso dell'utensile elettrico).

Non inserire la punta quando la macchina è in funzione e quando l'interruttore a pressione non è bloccato. La punta rotante può ferire l'utilizzatore.

Attenzione! Per ridurre il rischio d'incendio, di lesioni o di danni al prodotto causati da corto circuito, non immergere mai l'utensile, la batteria ricaricabile o il carica batterie in un liquido e non lasciare mai penetrare alcun liquido all'interno dei dispositivi e delle batterie. I fluidi corrosivi o conduttori come acqua salata, alcuni agenti chimici, agenti candeggianti o prodotti contenenti agenti candeggianti potrebbero provocare un corto circuito.

UTILIZZO CONFORME

Il trapano a percussione-avvitatore Accu è indicato per forare a rotazione, a percussione, per avvitare, indipendentemente dal collegamento elettrico. Utilizzare il prodotto solo per l'uso per cui è previsto.

DICHIARAZIONE DI CONFORMITÀ CE

Dichiariamo sotto la nostra esclusiva responsabilità che il prodotto descritto ai "Dati tecnici" corrisponde a tutte le disposizioni delle direttive 2011/65/EU (RoHS), 2014/30/UE, 2006/42/CE e successivi documenti normativi armonizzati:

EN 60745-1:2009 + A11:2010

EN 60745-2-1:2010

EN 60745-2-2:2010

EN 55014-1:2017

EN 55014-2:2015

EN 50581:2012

Winnenden, 2018-04-30



Alexander Krug
Managing Director

Autonizzato alla preparazione della documentazione tecnica
Techtronic Industries GmbH
Max-Eyth-Straße 10
71364 Winnenden
Germany



BATTERIE

Batterie non utilizzate per molto tempo devono essere ricaricate prima dell'uso. A temperature superiori ai 50°C, la potenza della batteria si riduce.

Evitare di esporre l'accumulatore a surriscaldamento prolungato, dovuto ad esempio ai raggi del sole o ad un impianto di riscaldamento.

Per una durata di vita ottimale, dopo l'uso le batterie devono essere completamente ricaricate.

Per una più lunga durata, rimuovere le batterie dal caricabatterie quando saranno cariche.

In caso di immagazzinaggio della batteria per più di 30 giorni:

Immagazzinare la batteria a circa 27°C in ambiente asciutto.

Immagazzinare la batteria con carica di circa il 30% - 50%.

Ricaricare la batteria ogni 6 mesi.

DISPOSITIVO ANTISOVRACCARICO ACCUMULATORE

In caso di sovraccarico dell'accumulatore dovuto a consumo molto elevato di corrente, ad es. coppie di serraggio estremamente elevate, bloccaggio della punta, arresto improvviso o cortocircuito, l'elettrodotensile romba per 2 secondi

poi si spegne automaticamente.

Per riaccenderlo, rilasciare l'interruttore e poi riaccenderlo.

Se sottoposto a carichi estremi, l'accumulatore può surriscaldarsi. In questo caso l'accumulatore si spegne.

Inserire l'accumulatore nell'apparecchio carica-batterie per ricaricarlo e attivarlo.

TRASPORTO DI BATTERIE AGLI IONI DI LITIO

Le batterie agli ioni di litio sono soggette alle disposizioni di legge sul trasporto di merce pericolosa.

Il trasporto di queste batterie deve avvenire rispettando le disposizioni e norme locali, nazionali ed internazionali.

- Gli utilizzatori possono trasportare queste batterie su strada senza alcuna restrizione.
- Il trasporto commerciale di batterie agli ioni di litio è regolato dalle disposizioni sul trasporto di merce pericolosa. Le preparazioni al trasporto ed il trasporto stesso devono essere svolti esclusivamente da persone idoneamente istruite. Tutto il processo deve essere gestito in maniera professionale.

Durante il trasporto di batterie occorre tenere conto di quanto segue:

- Assicurarsi che i contatti siano protetti ed isolati per evitare corto circuiti.
- Accertarsi che il gruppo di batterie non possa spostarsi all'interno dell'imballaggio.
- Batterie danneggiate o batterie che perdono liquido non devono essere trasportate.

Per ulteriori informazioni si prega di contattare il proprio trasportatore.

MANUTENZIONE

Usare solo accessori Milwaukee e pezzi di ricambio Milwaukee. Gruppi costruttivi la cui sostituzione non è stata descritta, devono essere fatti cambiare da un punto di servizio di assistenza tecnica al cliente Milwaukee (vedi depliant garanzia/indirizzi assistenza tecnica ai clienti).

In caso di necessità è possibile richiedere un disegno esploso del dispositivo indicando il modello della macchina ed il numero a sei cifre sulla targa di potenza rivolgendosi al centro di assistenza tecnica o direttamente a Techtronic Industries GmbH, Max-Eyth-Straße 10, 71364 Winnenden, Germany.

SIMBOLI



ATTENZIONE! AVVERTENZA! PERICOLO!



Prima di iniziare togliere la batteria dalla macchina.



Leggere attentamente le istruzioni per l'uso prima di mettere in funzione l'elettrodotensile.



I dispositivi elettrici, le batterie e le batterie ricaricabili non devono essere smaltiti con i rifiuti domestici. I dispositivi elettrici e le batterie devono essere raccolti separatamente e devono essere conferiti ad un centro di riciclaggio per lo smaltimento rispettoso dell'ambiente. Chiedere alle autorità locali o al rivenditore specializzato dove si trovano i centri di riciclaggio e i punti di raccolta.



Numero di giri a vuoto



Volt

Corrente continua



Marchio di conformità europeo



Marchio di conformità ucraino



Marchio di conformità euroasiatico

DATOS TÉCNICOS	TALADRO COMBI A BATERIA	M18 BLDD2	M18 BLPD2
Número de producción	4691 61 01	4691 72 01	4691 72 01
	..000001-999999	..000001-999999	..000001-999999
Diámetro de taladrado en acero	13 mm	13 mm	13 mm
Diámetro de taladrado en madera			
con flat bit	32 mm	32 mm	32 mm
con broca salomónica	26 mm	26 mm	26 mm
con sierra de corona	89 mm	89 mm	89 mm
con broca selffeed	65 mm	65 mm	65 mm
Diámetro de taladrado ladrillo y losetas	16 mm	16 mm	16 mm
Tornillos para madera (sin pretaladrar)	6 mm	6 mm	6 mm
Velocidad en vacío 1ª velocidad	0-550 min ⁻¹	0-550 min ⁻¹	0-550 min ⁻¹
Velocidad en vacío 2ª velocidad	0-1800 min ⁻¹	0-1800 min ⁻¹	0-1800 min ⁻¹
Frecuencia de impactos	- min ⁻¹	0-8800 min ⁻¹	0-8800 min ⁻¹
Frecuencia de impactos	- min ⁻¹	0-28800 min ⁻¹	0-28800 min ⁻¹
Par (2,0 Ah)	82 Nm	82 Nm	82 Nm
Voltaje de batería	18 V	18 V	18 V
Gama de apertura del portabrocas	1,5-13 mm	1,5-13 mm	1,5-13 mm
Peso de acuerdo con el procedimiento EPTA 01/2014 (2,0 Ah)	1,74 kg	1,79 kg	1,79 kg
Peso de acuerdo con el procedimiento EPTA 01/2014 (5,0 Ah)	2,02 kg	2,07 kg	2,07 kg
Temperatura ambiente recomendada durante el trabajo		-18...+50 °C	
Tipos de acumulador recomendados		M18B...M18HB	
Cargadores recomendados		M12-18C, M12-18AC, M12-18FC, M1418C6	

Información sobre ruidos / vibraciones

Determinación de los valores de medición según norma EN 60745.

La presión acústica se eleva normalmente

Presión acústica (Tolerancia K=3dB(A))	80 dB (A)	92 dB (A)
Resonancia acústica (Tolerancia K=3dB(A))	91 dB (A)	103 dB (A)

Usar protectores auditivos!

Nivel total de vibraciones (suma vectorial de tres direcciones) determinado según EN 60745.

Valor de vibraciones generadas $a_{h,v}$

taladrado de percusión $a_{h,v,PD}$	11,85 m/s ²
Tolerancia K =	1,5 m/s ²
taladrado en metal I $a_{h,v,MI}$	1,86 m/s ²
Tolerancia K =	1,5 m/s ²
tornillos $a_{h,v,TI}$	2,18 m/s ²
Tolerancia K =	1,5 m/s ²

ADVERTENCIA

El nivel vibratorio indicado en estas instrucciones ha sido medido conforme a un método de medición estandarizado en la norma EN 60745, y puede utilizarse para la comparación entre herramientas eléctricas. También es apropiado para una estimación provisional de la carga de vibración.

El nivel vibratorio indicado representa las aplicaciones principales de la herramienta eléctrica. Si, pese a ello, se utiliza la herramienta eléctrica para otras aplicaciones, con útiles adaptables diferentes o con un mantenimiento insuficiente, el nivel vibratorio puede diferir. Esto puede incrementar sensiblemente la carga de vibración durante todo el periodo de trabajo.

Para una estimación exacta de la carga de vibración deberían tenerse en cuenta también los tiempos durante los que el aparato está apagado o, pese a estar en funcionamiento, no está siendo realmente utilizado. Esto puede reducir sustancialmente la carga de vibración durante todo el periodo de trabajo.

Adopte medidas de seguridad adicionales para la protección del operador frente al efecto de las vibraciones, como por ejemplo: mantenimiento de la herramienta eléctrica y de los útiles adaptables, mantener las manos calientes, organización de los procesos de trabajo.

ADVERTENCIA: Lea todas las advertencias de peligro, instrucciones, ilustraciones y especificaciones suministradas con esta herramienta eléctrica. En caso de no atenderse a las instrucciones siguientes, ello puede ocasionar una descarga eléctrica, un incendio y/o lesión grave.
Guardar todas las advertencias de peligro e instrucciones para futuras consultas.

INSTRUCCIONES DE SEGURIDAD PARA TALADRADORAS

Utilice protectores de oídos al taladrar con percusión. La exposición a niveles de ruido excesivos puede causar la pérdida de audición.

¡Utilice las empuñaduras auxiliares suministradas con la herramienta! La pérdida de control de la herramienta puede causar accidentes

Sujete el aparato de las superficies aisladas de agarre al efectuar trabajos en los cuales la perforadora de percusión pueda entrar en contacto con conductores de corriente ocultos o con el propio cable.

El contacto de la perforadora de percusión con un conducto con energía aplicada también podrá poner bajo tensión partes metálicas del aparato y causar un choque eléctrico.

No lo utilice nunca con una velocidad de giro superior a la velocidad de giro máxima indicada para la broca de taladro. A velocidades de giro más elevadas, la broca de taladro se puede doblar cuando esta taladra sin tener contacto con la pieza de trabajo, lo cual puede provocar lesiones.

Comience siempre con una velocidad de giro baja y siempre que la broca de taladro esté en contacto con la pieza de trabajo. A velocidades de giro más elevadas, la broca de taladro se puede doblar cuando esta taladra sin tener contacto con la pieza de trabajo, lo cual puede provocar lesiones.

Ejere siempre presión solo si lo hace en línea directa respecto de la broca de taladro y no apriete demasiado fuertemente. Las brocas de taladro pueden doblarse y romperse o provocar la pérdida de control del aparato, lo cual a su vez puede ocasionar lesiones.

INSTRUCCIONES DE SEGURIDAD PARA ATORNILLADORES

Sujete el aparato por las superficies de sujeción aisladas cuando realice trabajos en los que el tornillo puede alcanzar líneas de corriente eléctrica ocultas. El contacto del tornillo con una línea conductora de corriente puede poner las partes metálicas del aparato bajo tensión y provocar un choque eléctrico.

INSTRUCCIONES ADICIONALES DE SEGURIDAD Y LABORALES

Utilice el equipamiento de protección. Mientras trabaje con la máquina lleve siempre gafas protectoras. Se recomienda utilizar ropa de protección como máscara protectora contra el polvo, guantes protectores, calzado resistente y antideslizante, casco y protección para los oídos.

El polvo que se produce durante estos trabajos puede ser nocivo a la salud; es por ello es aconsejable que no penetre al cuerpo. Utilice por ello una máscara protectora contra polvo.

No se deben trabajar materiales que conlleven un riesgo para la salud (por ej. amianto).
 ¡En caso de que se bloquee el útil, el aparato se debe desconectar inmediatamente! No vuelva a conectar el aparato, mientras el útil esté bloqueado; se podría producir un rechazo debido a la reacción de retroceso brusca. Averigüe y elimine la causa del bloqueo del útil, teniendo en cuenta las indicaciones de seguridad.

Causas posibles para ello pueden ser:

- Atascamiento o bloqueo en la pieza de trabajo
- Rotura del material con el que está trabajando
- Sobrecarga de la herramienta eléctrica

No introduzca las manos en la máquina mientras ésta se encuentra en funcionamiento.

El útil se puede calentar durante el uso.

ADVERTENCIA! Peligro de quemaduras

- en caso de cambiar la herramienta
- en caso de depositar el aparato

Nunca se debe intentar limpiar el polvo o viruta procedente del taladrado con la máquina en funcionamiento.

Para trabajar en paredes, techo o suelo, tenga cuidado para evitar los cables eléctricos y tuberías de gas o agua.

Fije la pieza de trabajo con un dispositivo de fijación. Las piezas de trabajo no fijadas pueden causar lesiones graves y deterioros.

Retire la batería antes de comenzar cualquier trabajo en la máquina.

No tire las baterías usadas a la basura ni al fuego. Los Distribuidores Milwaukee ofrecen un servicio de recogida de baterías antiguas para proteger el medio ambiente.

No almacene la batería con objetos metálicos (riesgo de cortocircuito).

Recargar solamente los acumuladores del Sistema M18 en cargadores M18. No intentar recargar acumuladores de otros sistemas.

No abra nunca las baterías ni los cargadores y guárdelos sólo en lugares secos.

Protéjalos de la humedad en todo momento.

En caso de sobrecarga o alta temperatura, pueden llegar a producirse escapes de ácido provenientes de la batería. En caso de contacto con éste, limpie inmediatamente la zona con agua y jabón. Si el contacto es en los ojos, límpiense concienzudamente con agua durante 10 minutos y acuda inmediatamente a un médico.

UTILICE SIEMPRE UN ASA ADICIONAL, cuando se usa un acumulador con una capacidad de 9,0 Ah o superior; el par de torsión de algunas herramientas eléctricas puede aumentar. Si su taladro atornillador o su atornillador de impacto se entregó sin asa adicional, por favor, utilice la pieza de recambio del asa adicional (véase el plano de despiece de la herramienta eléctrica).

No coloque ninguna broca cuando la máquina esté en funcionamiento y el interruptor pulsador no esté bloqueado. Al girar, la broca puede provocar lesiones al usuario.

Advertencia! Para reducir el riesgo de incendio, lesión personal y daños al producto debido a un cortocircuito, no sumerja nunca la herramienta, el paquete de baterías o el cargador en líquido ni permita que fluya un fluido dentro de ellos. Los fluidos corrosivos o conductivos, como el agua de mar, ciertos productos químicos industriales y blanqueadores o lejías que contienen, etc., Pueden causar un cortocircuito.

APLICACIÓN DE ACUERDO A LA FINALIDAD

El taladro-atornillador electrónico por acumulador es utilizable en todo tipo de trabajos taladrar, con y sin percusión, atornillar sin depender de una toma de corriente.

No utilice este producto para ninguna otra aplicación que no sea su uso normal.

DECLARACION DE CONFORMIDAD CE

Declaramos bajo nuestra responsabilidad que el producto descrito bajo "Datos técnicos" está en conformidad con todas las normas relevantes de la directiva 2011/65/EU (RoHS), 2014/30/UE, 2006/42/CE y con las siguientes normas o documentos normalizados:

EN 60745-1:2009 + A11:2010

EN 60745-2-1:2010

EN 60745-2-2:2010

EN 55014-1:2017

EN 55014-2:2015

EN 50581:2012

Winnenden, 2018-04-30



Alexander Krug
Managing Director



Autorizado para la redacción de los documentos técnicos.

Techtronic Industries GmbH
Max-Eyth-Straße 10
71364 Winnenden
Germany

BATERIA

Las baterías no utilizadas durante cierto tiempo deben ser recargadas antes de usar.

Las temperaturas superiores a 50°C reducen el rendimiento de la batería. Evite una exposición excesiva a fuentes de calor o al sol (riesgo de sobrecalentamiento).

Los puntos de contacto de los cargadores y las baterías se deben mantener limpios.

Para un tiempo de vida óptimo, deberán cargarse completamente las baterías después de su uso.

Para garantizar la máxima capacidad y vida útil, las baterías recargables se deberían retirar del cargador una vez finalizada la carga.

En caso de almacenar la batería recargable más de 30 días:

Almacenar la batería recargable en un lugar seco a una temperatura de aproximadamente 27°C.

Almacenar la batería recargable con un estado de carga del 30% y 50% aproximadamente.

Recargar la batería cada 6 meses.

PROTECCIÓN CONTRA SOBRECARGA DE LA BATERÍA

En caso de sobrecarga del acumulador por consumo muy elevado de corriente, por ej. debido a pares muy elevados, agarrotamiento del taladro, parada repentina o cortocircuito, la herramienta eléctrica zumbará durante 2 segundos y se desconectará automáticamente.

Para reconectarla, libere primero el gatillo interruptor y después conéctala de nuevo. Bajo cargas extremas, el acumulador se puede calentar mucho. En este caso desconecte el acumulador.

Meta entonces la batería en el cargador para recargarla otra vez y activarla.

TRANSPORTE DE BATERÍAS DE IONES DE LITIO

Las baterías de iones de litio caen bajo las disposiciones legales relativas al transporte de mercancías peligrosas.

El transporte de estas baterías recargables debe llevarse a cabo, observando las normas y disposiciones locales, nacionales e internacionales.

- Los consumidores pueden transportar estas baterías recargables sin el menor reparo en la calle.
- El transporte comercial de baterías recargables de iones de litio por empresas de transportes está sometido a las disposiciones del transporte de mercancías peligrosas. Las preparaciones para el envío y el transporte deben ser llevados a cabo exclusivamente por personas instruidas adecuadamente. El proceso completo debe ser supervisado por personal competente.

Los siguientes puntos se deben observar para el transporte de las baterías recargables:

- Se debe asegurar que los contactos estén protegidos y aislados para evitar que se produzcan cortocircuitos.
- Preste atención a que el conjunto de baterías recargables no se pueda desplazar dentro del envase.
- Las baterías recargables deterioradas o derramadas no se deben transportar.






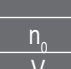

Rogamos que para cualquier información adicional se dirija a su empresa de transportes.

MANTENIMIENTO

Utilice solamente accesorios y repuestos Milwaukee. En caso de necesitar reemplazar componentes no descritos, contacte con cualquiera de nuestras estaciones de servicio Milwaukee (consultar lista de servicio técnicos)

Puede solicitar, en caso necesario, una vista despiezada del aparato bajo indicación del tipo de máquina y el número de seis dígitos en la placa indicadora de potencia en su Servicio de Postventa o directamente en Techtronic Industries GmbH, Max-Eyth-Straße 10, 71364 Winnenden, Germany.

SÍMBOLOS

	¡ATENCIÓN! ¡ADVERTENCIA! ¡PELIGRO!
	Retire la batería antes de comenzar cualquier trabajo en la máquina.
	Lea las instrucciones detenidamente antes de conectar la herramienta
	Los electrodomésticos y las baterías/acumuladores no se deben eliminar junto con la basura doméstica. Los aparatos eléctricos y los acumuladores se deben recoger por separado y se deben entregar a una empresa de reciclaje para una eliminación respetuosa con el medio ambiente. Infórmese en las autoridades locales o en su tienda especializada sobre los centros de reciclaje y puntos de recogida.
n_0	Velocidad en vacío
V	Voltios de CA
— — —	Corriente continua
	Marcado de conformidad europeo
	Marcado de conformidad ucraniano
	Marcado de conformidad euroasiático

CARACTERÍSTICAS TÉCNICAS	BERBEQUIM COM PERCUSSÃO A BATERIA	M18 BLDD2	M18 BLPD2
Número de produção		4691 61 01... ...000001-999999	4691 72 01... ...000001-999999
Ø de furo em aço		13 mm	13 mm
Ø de furo em madeira			
com flat bit		32 mm	32 mm
com broca com haste hexagonal		26 mm	26 mm
com serra-copo		89 mm	89 mm
com broca automática		65 mm	65 mm
Ø de furo em tijolo e calcário			16 mm
Parafusos para madeira (sem furo prévio)		6 mm	6 mm
Nº de rotações em vazio na 1ª velocidade		0-550 min ⁻¹	0-550 min ⁻¹
Nº de rotações em vazio na 2ª velocidade		0-1800 min ⁻¹	0-1800 min ⁻¹
Frequência de percussão na 1ª velocidade		- min ⁻¹	0-8800 min ⁻¹
Frequência de percussão na 2ª velocidade		- min ⁻¹	0-28800 min ⁻¹
Binário (5,0 Ah)		82 Nm	82 Nm
Tensão do acumulador		18 V	18 V
Capacidade da bucha		1,5-13 mm	1,5-13 mm
Peso nos termos do procedimento-EPTA 01/2014 (2,0 Ah)		1,74 kg	1,79 kg
Peso nos termos do procedimento-EPTA 01/2014 (5,0 Ah)		2,02 kg	2,07 kg
Temperatura ambiente recomendada ao trabalhar			-18...+50 °C
Tipos de baterias recomendadas			M18B...M18HB
Carregadores recomendados		M12-18C, M12-18AC, M12-18FC, M1418C6	

Informações sobre ruído/vibração

Valores de medida de acordo com EN 60745.

Normalmente o nível de pressão de ruído da ferramenta é

Nível da pressão de ruído (Incertez K=3dB(A))	80 dB (A)	92 dB (A)
Nível da potência de ruído (Incertez K=3dB(A))	91 dB (A)	103 dB (A)

Use protectores auriculares!

Valores totais de vibração (soma dos vectores das três direcções)

determinadas conforme EN 60745.

Valor de emissão de vibração a_{hD}

Furar de impacto em betão a_{hD}		11,85 m/s ²
Incerteza K=		1,5 m/s ²
Furar em metal I a_{hD}	1,86 m/s ²	1,86 m/s ²
Incerteza K=	1,5 m/s ²	1,5 m/s ²
Parafusos a_{hD}	2,18 m/s ²	2,18 m/s ²
Incerteza K=	1,5 m/s ²	1,5 m/s ²

ATENÇÃO

O nível vibratório indicado nestas instruções foi medido em conformidade com um procedimento de medição normalizado na EN 60745 e pode ser utilizado para comparar entre si ferramentas eléctricas. O mesmo é também adequado para avaliar provisoriamente o esforço vibratório.

O nível vibratório indicado representa as principais aplicações da ferramenta eléctrica. Se, no entanto, a ferramenta eléctrica for utilizada para outras aplicações, com outras ferramentas adaptadas ou uma manutenção insuficiente, o nível vibratório poderá divergir. Isto pode aumentar consideravelmente o esforço vibratório ao longo de todo o período do trabalho.

Para uma avaliação exacta do esforço vibratório devem também ser considerados os tempos durante os quais o aparelho está desligado ou está a funcionar, mas não está efectivamente a ser utilizado. Isto pode reduzir consideravelmente o esforço vibratório ao longo de todo o período do trabalho.

Defina medidas de segurança suplementares para proteger o operador do efeito das vibrações, como por exemplo: manutenção da ferramenta eléctrica e das ferramentas adaptadas, manter as mãos quentes, organização das seqüências de trabalho.

⚠ ADVERTÊNCIA Devem ser lidas todas as advertências de segurança, instruções, ilustrações e especificações fornecidas com esta ferramenta eléctrica. O desrespeito das advertências e instruções apresentadas abaixo pode causar choque eléctrico, incêndio e/ou graves lesões.
Guarde bem todas as advertências e instruções para futura referência.

⚠ INSTRUÇÕES DE SEGURANÇA PARA BERBEQUINS

Use uma protecção dos ouvidos ao usar o berbequim de percussão. Os ruídos podem causar surdez.

Sempre use os punhos adicionais fornecidos com o aparelho. A perda de controlo pode causar feridas.

Segure o aparelho nas superfícies de punho isoladas se estiver a executar trabalhos, nos quais a ferramenta de corte pode tocar em linhas eléctricas escondidas ou no próprio cabo.

O contacto da ferramenta de corte com uma linha sob tensão também pode colocar peças metálicas do aparelho sob tensão e levar a um choque eléctrico.

Nunca use uma velocidade maior do que a velocidade máxima indicada para a broca. Em caso de maiores velocidades a broca pode deformar-se ao girar sem contacto com a peça e isso pode causar feridas.

Sempre comece com uma velocidade baixa e com a broca em contacto direto com a peça. Com velocidades mais altas a broca pode deformar-se ao girar sem contacto com a peça e isso pode causar feridas.

Sempre só exerça pressão em direcção direta à broca e não aperte demais. As brocas podem deformar-se e quebrar ou isso pode causar uma perda do controlo sobre o aparelho, o que também pode causar feridas.

⚠ INSTRUÇÕES DE SEGURANÇA PARA APARAFUSADORAS

Segure o aparelho pela superfície isoladora do punho, se executar trabalhos nos quais o parafuso possa tocar em linhas eléctricas ocultas. O contacto do parafuso com uma linha sob tensão pode também colocar peças metálicas do aparelho sob tensão e provocar um choque eléctrico.

INSTRUÇÕES DE SEGURANÇA E TRABALHO SUPLEMENTARES

Utilizar equipamento de protecção. Durante os trabalhos com a máquina, usar sempre óculos de protecção. Vestuário de protecção, bem como máscara de pó, sapatos fechados e antiderrapante, capacete e protecção auditiva são recomendados.

O pó que resulta ao trabalhar pode ser nocivo para a saúde, por isso não devendo penetrar no corpo. Use uma máscara de protecção contra pó apropriada. Não devem ser processados materiais que representem um perigo para a saúde (p. ex. asbesto).

Desligue o aparelho imediatamente, quando a ferramenta de inserção bloquear! Não ligue o aparelho novamente durante o bloqueio da ferramenta de inserção, pois isso pode levar a um recuo repentino com uma alta força reactiva. Verifique e elimine a causa do bloqueio da ferramenta de inserção, observando as instruções de segurança.

Causas possíveis podem ser:

- Emperramento na peça a trabalhar
- Material a processar rompido
- Sobrecarga da ferramenta eléctrica

Não toque na máquina em operação.

A ferramenta de inserção pode ficar quente durante a operação.

ATENÇÃO! Perigo de queimar-se

- na troca das ferramentas

- ao depositar o aparelho

Não remover aparas ou lascas enquanto a máquina trabalha.

Ao trabalhar em paredes, tectos e soalhos prestar atenção a que não sejam atingidos cabos eléctricos e canalizações de gás e água.

Fixe a peça a trabalhar com um dispositivo de fixação. Peças a trabalhar não fixadas podem levar a feridas graves e danos sérios.

Antes de efectuar qualquer intervenção na máquina retirar o bloco acumulador.

Não queimar acumuladores gastos nem deitá-los no lixo doméstico. A Milwaukee possui uma eliminação de acumuladores gastos que respeita o meio ambiente.

Não guardar acumuladores junto com objectos metálicos (perigo de curto-circuito).

Use apenas carregadores do Sistema M18 para recarregar os acumuladores do Sistema M18. Não utilize acumuladores de outros sistemas.

Carregadores só devem ser utilizados em recintos secos.

Em caso de cargas ou temperaturas extremas, um acumulador de substituição danificado poderá verter líquido de bateria. Se entrar em contacto com este líquido, deverá lavar-se imediatamente com água e sabão. Em caso de contacto com os olhos, enxágue-os bem e de imediato durante pelo menos 10 minutos e consulte um médico o mais depressa possível.

SEMPRE USE UM MANIPULO SUPLEMENTAR, se você usar uma bateria com uma capacidade de 9,0 Ah ou maior; o torque de algumas ferramentas elétricas pode aumentar-se. Se o seu berbequim/berbequim com percussão foi fornecido com seu manipulador, por favor, use a peça de reposição do manipulador suplementar (veja o desenho de explosão da ferramenta elétrica).

Não insira um bit quando a máquina estiver operando e o botão do interruptor não estiver travado. O bit em rotação pode ferir o utilizador.

Advertência! Para evitar o risco de incêndio, de feridas ou de danificação do produto causado por um curto-circuito, não imerja a bateria intercambiável ou o carregador em líquidos e assegure-se de que líquidos não penetrem nos aparelhos ou nas baterias. Líquidos corrosivos ou condutivos como água salgada, determinadas substâncias químicas o produtos que contenham branqueadores podem causar um curto-circuito.

UTILIZAÇÃO AUTORIZADA

O berbequim aparafusador electrónico com percussão e sem fio pode ser aplicado universalmente para furar, furar com percussão e aparafusar sem necessidade de ligar a máquina à rede.

Não use este produto de outra maneira sem ser a normal para o qual foi concebido.

DECLARAÇÃO DE CONFORMIDADE CE

Declaramos sob responsabilidade exclusiva, que o produto descrito sob "Dados técnicos" corresponde com todas as disposições relevantes da diretiva 2011/65/UE (RoHS), 2014/30/UE, 2006/42/CE e dos seguintes documentos normativos harmonizados.

EN 60745-1:2009 + A11:2010

EN 60745-2-1:2010

EN 60745-2-2:2010

EN 55014-1:2017

EN 55014-2:2015

EN 50581:2012

Winnenden, 2018-04-30



Alexander Krug
Managing Director

Autorizado a reunir a documentação técnica.

Techtronic Industries GmbH

Max-Eyth-Straße 10

71364 Winnenden

Germany



ACUMULADOR

Acumuladores não utilizados durante algum tempo devem ser recarregados antes da sua utilização.

Temperaturas acima de 50°C reduzem a capacidade do bloco acumulador. Evitar exposição prolongada ao sol ou a caloríferos.

Manter limpos os contactos eléctricos no carregador e no bloco acumulador.

Para uma vida útil óptima dos acumuladores, terá que carregá-los plenamente após a sua utilização.

Para assegurar uma vida útil longa, o pacote de bateria deve ser removido da carregadora depois do carregamento.

Se o pacote de bateria for armazenado por mais de 30 dias:

Armazene o pacote de bateria com aprox. 27°C em um lugar seco.

Armazene o pacote de bateria com aprox. 30%-50% da carga completa.

Carregue o pacote de bateria novamente de 6 em 6 meses.

PROTECÇÃO DE SOBRECARGA DE BATERIA

No caso de sobrecarga da bateria devido a um consumo de corrente demasiado elevado, por exemplo um binário de rotação extremamente elevado, um bloqueio da broca, uma paragem repentina ou um curto-circuito, a ferramenta eléctrica vibra

durante 2 segundos e desliga-se automaticamente.

Para a ligar novamente, desligar e voltar a ligar o interruptor. Sob condições extremas, a bateria pode aquecer demasiado. Neste caso a bateria desliga-se. Voltar então a colocar o acumulador no carregador para o carregar de novo e para assim o activar.

TRANSPORTE DE BATERIAS DE IÃO-LÍLIO

Baterias de ião-lítio estão sujeitas às disposições da legislação relativa às substâncias perigosas.

O transporte destas baterias deve ser efectuado de acordo com as disposições e os regulamentos locais, nacionais e internacionais.

- O utilizador pode efectuar o transporte rodoviário destas baterias sem restrições.
- O transporte comercial de baterias de ião-lítio por terceiros está sujeito aos regulamentos relativos às substâncias perigosas. A preparação do transporte e o processo devem ser executados exclusivamente por pessoas instruídas e o processo deve ser acompanhado pelos especialistas correspondentes.

Observe o seguinte no transporte de baterias:

- Assegure-se de que os contactos terminais estejam protegidos e isolados para evitar um curto-circuito.
- Assegure-se de que o bloco da bateria esteja protegido contra movimentos na embalagem.
- Não transporte baterias danificadas ou que tenham fuga.








Para instruções mais detalhadas consulte a companhia de transportes

MANUTENÇÃO

Utilizar apenas acessórios Milwaukee e peças sobresselentes Milwaukee. Os componentes cuja substituição não esteja descrita devem ser substituídos num serviço de assistência técnica Milwaukee (consultar a brochura relativa à garantia/moradas dos serviços de assistência técnica).

Se for necessário, um desenho de explosão do aparelho pode ser solicitado do seu posto de assistência ao cliente ou directamente da Techtronic Industries GmbH, Max-Eyth-Straße 10, 71364 Winnenden, Alemanha, indicando o tipo da máquina e o número de seis posições na chapa indicadora da potência.

SYMBOLS

	ATENÇÃO! PERIGO!
	Antes de efectuar qualquer intervenção na máquina retirar o bloco acumulador.
	Leia atentamente o manual de instruções antes de colocar a máquina em funcionamento.
	Aparelhos eléctricos, baterias/acumuladores não devem ser jogados no lixo doméstico. Os aparelhos eléctricos e as baterias devem ser colectados separadamente e entregues a uma empresa de reciclagem para a eliminação correcta. Solicite informações sobre empresas de reciclagem e postos de colecta de lixo das autoridades locais ou do seu vendedor autorizado.
n_0	Velocidade em vazio
V	Volts de CA
— — —	Corrente contínua
	Marca de Conformidade Europeia
	Marca de Conformidade Ucraniana
	Marca de Conformidade Eurasiática

TECHNISCHE GEGEVENEN	ACCU-SLAGBOORMACHINE	M18 BLDD2	M18 BLPD2
Productienummer	4691 61 01	4691 72 01	000001-999999
Boor-Ø in staal	13 mm	13 mm	
Boor-Ø in hout			
met flat bit	32 mm	32 mm	
met slangboor	26 mm	26 mm	
met gatenboor	89 mm	89 mm	
met cilinderboor	65 mm	65 mm	
Boor-Ø in tegel en kalkzandsteen	16 mm	16 mm	
Houtschroeven (zonder voorboren)	6 mm	6 mm	
Onbelast toerental in stand 1	0-550 min ⁻¹	0-550 min ⁻¹	
Onbelast toerental in stand 2	0-1800 min ⁻¹	0-1800 min ⁻¹	
Aantal slagen in stand 1	- min ⁻¹	0-8800 min ⁻¹	
Aantal slagen in stand 2	- min ⁻¹	0-28800 min ⁻¹	
Draaimoment (5,0 Ah)	82 Nm	82 Nm	
Spanning wisselakku	18 V	18 V	
Spanwijdte boorhouder	1,5-13 mm	1,5-13 mm	
Gewicht volgens de EPTA-procedure 01/2014 (2,0 Ah)	1,74 kg	1,79 kg	
Gewicht volgens de EPTA-procedure 01/2014 (5,0 Ah)	2,02 kg	2,07 kg	
Aanbevolen omgevingstemperatuur tijdens het werken		-18...+50 °C	
Aanbevolen accutypes		M18B, M18HB	
Aanbevolen laadtoestellen		M12-18C, M12-18AC, M12-18FC, M1418C6	

Geluids-/trillingsinformatie

Meetwaarden vastgesteld volgens EN 60745.

Het kenmerkende A-gewaardeerde geluidsdruk niveau van de machine bedraagt

Geluidsdruk niveau (Onzekerheid K=3dB(A))	80 dB (A)	92 dB (A)
Geluidsvermogen niveau (Onzekerheid K=3dB(A))	91 dB (A)	103 dB (A)

Draag oorschermers!

Totale trillingswaarden (vectorsom van drie richtingen) bepaald volgens EN 60745.

Trillingsemissiewaarde a_h

Slagboren in beton a _{h,10}		11,85 m/s ²
Onzekerheid K=		1,5 m/s ²
Boren in metaal a _{h,10}	1,86 m/s ²	1,86 m/s ²
Onzekerheid K=	1,5 m/s ²	1,5 m/s ²
Schroeven a _h	2,18 m/s ²	2,18 m/s ²
Onzekerheid K=	1,5 m/s ²	1,5 m/s ²

WAARSCHUWING

De in deze aanwijzingen vermelde trillingsdruk is gemeten volgens een in EN 60745 genormeerde meetmethode en kan worden gebruikt voor de onderlinge vergelijking van apparaten. Hij is ook geschikt voor een voorlopige inschatting van de trillingsbelasting.

De aangegeven trillingsdruk geldt voor de meest gebruikelijke toepassingen van het elektrische apparaat. Wanneer het elektrische gereedschap echter voor andere doeleinden, met andere dan de voorgeschreven hulpstukken gebruikt of niet naar behoren onderhouden wordt, kan de trillingsdruk afwijken. Dit kan de waarde van de trillingsdruk over de hele werkperiode aanzienlijk verhogen.

Voor een nauwkeurige inschatting van de trillingsdruk moeten ook de tijden in aanmerking worden genomen dat het apparaat uitgeschakeld is of weliswaar loopt, maar niet werkelijk in gebruik is. Dit kan de waarde van de trillingsdruk over de hele werkperiode aanzienlijk verminderen.

Bepaal extra veiligheidsmaatregelen ter bescherming van de bediener tegen de inwerking van trillingen, bijvoorbeeld: onderhouden van elektrische gereedschappen en apparaten, warmhouden van de handen, organisatie van de werkprocessen.

⚠ WAARSCHUWING! Lees alle veiligheidswaarschuwingen, voorschriften, afbeeldingen en specificaties voor dit elektrische gereedschap. Als de onderstaande waarschuwingen niet worden opgevolgd, kan dit een elektrische schok, brand of ernstig letsel tot gevolg hebben.

Bewaar alle waarschuwingen en voorschriften voor toekomstig gebruik.

⚠ VEILIGHEIDSLINSTRUCTIES VOOR BOORMACHINES

Draag gehoorbescherming tijdens het klopboren. Lawaai kan gehoorverlies veroorzaken.

Gebruik de bij de machine geleverde zijhandgreep. Verlies aan controle kan tot persoonlijk letsel leiden.

Houd het apparaat alléén aan de geïsoleerde grijpvakken vast, wanneer u werkzaamheden uitvoert waarbij het snijgereedschap verborgen stroomleidingen of de eigen apparaatkabel zou kunnen raken.

Het contact van het snijgereedschap met een spanningvoerende leiding kan de metalen apparaatdelen onder spanning zetten en zo tot een elektrische schok leiden.

Gebruik nooit een hoger toerental dan het maximale toerental dat voor de boor is aangegeven. Bij hogere toerentallen kan de boor verbuigen als hij draait zonder contact te maken met het werkstuk, hetgeen kan leiden tot persoonlijk letsel.

Start het apparaat altijd met een lager toerental en alleen als de boor contact maakt met het werkstuk. Bij hogere toerentallen kan de boor verbuigen als hij draait zonder contact te maken met het werkstuk, hetgeen kan leiden tot persoonlijk letsel.

⚠ Oefen alleen in een directe lijn druk uit op de boor en druk niet te hard tijdens het boren. Door te hoge druk kunnen boren verbuigen en breken of kunt u de controle over het apparaat verliezen, hetgeen wederom kan leiden tot persoonlijk letsel.

⚠ VEILIGHEIDSLINSTRUCTIES VOOR SCHROEVENDRAAIERS

Houd het apparaat alléén vast aan de geïsoleerde grijpvakken als u werkzaamheden uitvoert waarbij de schroef verborgen stroomleidingen zou kunnen raken. Het contact van de schroef met een spanningvoerende leiding kan de metalen apparaatdelen onder spanning zetten en zo tot een elektrische schok leiden.

VERDERE VEILIGHEIDS- EN WERKINSTRUCTIES

Draag veiligheidssuïtusting. Bij werkzaamheden met de machine dient u altijd een veiligheidsbril te dragen. Veiligheidskleding zoals stofmasker, veiligheidshandschoenen, stevig en slipvast schoeisel, helm en gehoorbescherming worden aanbevolen.

Het gedurende het werken vrijkomende stof is doorgaans schadelijk voor de gezondheid en mag niet met het lichaam in aanraking komen. Draag derhalve een geschikt stofbeschermsmasker.

Het is niet toegestaan, materialen te bewerken waarvan een gezondheidsgevaar uitgaat (bijv. asbest).

Schakel het apparaat onmiddellijk uit als het gereedschap blokkeert! Schakel het apparaat niet in zolang het gereedschap geblokkeerd is; dit zou een terugslag met een hoog reactiemoment kunnen veroorzaken. Achterhaal en verhelp de oorzaak voor de blokkering van het gereedschap met inachtneming van de veiligheidsinstructies.

Mogelijke oorzaken voor de blokkering:

- kantelen in het te bewerken werkstuk

- doorbreken van het te bewerken materiaal
- overbelasting van het elektrische gereedschap

Grijp niet in de lopende machine.

Het gereedschap kan heet worden tijdens het gebruik.

WAARSCHUWING! Gevaar voor verbranding

- bij het vervangen van het gereedschap
- bij het neerleggen van het apparaat

Spanen of splinters mogen bij draaiende machine niet worden verwijderd.

Bij het werken in wanden, plafonds of vloeren oppassen voor elektriciteitsdraden, gas- of waterleidingen.

Borg uw werkstuk met behulp van een spaninrichting. Niet geborgde werkstukken kunnen ernstig letsel en grote schade veroorzaken.

Voor alle werkzaamheden aan de machine de accu verwijderen.

Verbruikte accu's niet in het vuur of bij het huisvuil werpen. Milwaukee biedt namelijk een milieuvriendelijke recyclingmethode voor uw oude accu's.

Wisselakku's niet bij metalen voorwerpen bewaren (kortsluitingsgevaar!).

Wisselakku's van het Akku-Systeem M18 alléén met laadapparaten van het Akku-Systeem M18 laden. Geen accu's van andere systemen laden.

Wisselakku's en laadapparaten niet openen en alleen in droge ruimtes opslaan. Tegen vocht beschermen.

Onder extreme belasting of extreme temperaturen kan uit de accu accu-vloeistof lopen. Na contact met accu-vloeistof direct afwassen met water en zeep. Bij oogcontact direct minstens 10 minuten grondig spoelen en onmiddellijk een arts raadplegen.

GEBRUIK ALTIJD EEN EXTRA HANDGREEP als u een accu met een capaciteit van 9,0 Ah of hoger gebruikt; het koppel van een aantal gereedschappen kan hierdoor hoger worden. Als uw schroefmachine of slagshoofdmachine zonder extra handgreep werd geleverd, kunt u het reserveonderdeel van de extra handgreep (zie explosietekening van dit elektrische gereedschap) gebruiken. Plaats geen bit als de machine draait en de drukschakelaar niet vergrendeld is. De gebruiker kan gewond raken door de draaiende bit.

Waarschuwing! Voorkom brand, persoonlijk letsel of materiële schade door kortsluiting en dompel het gereedschap, de wisselaccu en het laadtoestel niet onder in vloeistoffen en waarborg dat geen vloeistoffen in de apparaten en accu's kunnen dringen. Corrosieve of geleidende vloeistoffen zoals zout water, bepaalde chemicaliën, bleekmiddelen of producten die bleekmiddelen bevatten, kunnen een kortsluiting veroorzaken.

VOORGESCHREVEN GEBRUIK VAN HET SYSTEEM

De accu elektronisch slagboorschroevendraaier is te gebruiken om te boren, slagboren en te schroeven, onafhankelijk van een metaansluiting. Dit apparaat uitsluitend gebruiken voor normaal gebruik, zoals aangegeven.

EC - VERKLARING VAN OVEREENSTEMMING

Wij verklaren in uitsluitende verantwoording dat het onder 'Technische gegevens' beschreven product overeenstemt met alle relevante voorschriften van de richtlijn 2011/65/EU (RoHS), 2014/30/EU, 2006/42/EG en de volgende geharmoniseerde normatieve documenten:

EN 60745-1:2009 + A11:2010

EN 60745-2-1:2010

EN 60745-2-2:2010

EN 55014-1:2017

EN 55014-2:2015

EN 50581:2012

Winnenden, 2018-04-30



Alexander Krug
Managing Director



Gemachtigd voor samenstelling van de technische documenten

Techtronic Industries GmbH

Max-Eyth-Str. 10

71364 Winnenden

Germany

AKKU

Langere tijd niet toegepaste wisselakku's vóór gebruik altijd naladen.

Een temperatuur boven de 50°C vermindert de capaciteit van de accu.

Langdurige verwarming door zon of hitte vermijden.

De aansluitcontacten aan het laadapparaat en de accu schoonhouden.

Voor een optimale levensduur moeten de accu's na het gebruik volledig opgeladen worden.

Voor een zo lang mogelijke levensduur van de accu's dienen deze na het opladen uit het laadtoestel te worden verwijderd.

Bij een langere opslag van de accu dan 30 dagen:

accu bij ca. 27 °C droog bewaren.

accu bij ca. 30 % - 50 % van de laadtoestand bewaren.

accu om de 6 maanden opnieuw opladen.

OVERBELASTINGSBEVEILIGING VAN DE ACCU

Bij overbelasting van de accu door een zeer hoog stroomverbruik, bijv. extreem hoge draaimomenten, klemmen van de boor, plotseling stoppen of kortsluiting, vibreert het elektrische gereedschap gedurende 2 seconden en schakelt dan automatisch uit.

Om het gereedschap weer in te schakelen, moet u de drukschakelaar loslaten en vervolgens weer inschakelen.

Onder extreme belastingen wordt de accu te heet. In dit geval schakelt hij uit. Steek de accu in het laadtoestel om hem weer op te laden en te activeren.

TRANSPORT VAN LITHIUM-IONEN-ACCUS

Lithium-ionen-accu's vallen onder de wettelijke bepalingen inzake het transport van gevaarlijke goederen.

Voor het transport van deze accu's moeten de lokale, nationale en internationale voorschriften en bepalingen in acht worden genomen.

- Verbruikers mogen deze accu's zonder meer over de weg transporteren.
- Het commerciële transport van lithium-ionen-accu's door expeditiebedrijven is onderhevig aan de bepalingen inzake het transport van gevaarlijke goederen. De verzendingsvoorbereidingen en het transport mogen uitsluitend worden uitgevoerd door dienovereenkomstig opgeleide personen. Het complete proces moet vakkundig worden begeleid.

Onderstaande punten moeten bij het transport van accu's in acht worden genomen:

- Waarborg ter vermindering van kortsluitingen dat de contacten beschermd en geïsoleerd zijn.
- Let op dat het accupack in de verpakking niet kan verschuiven.
- Beschadigde of lekkende accu's mogen niet worden getransporteerd.









Neem voor meer informatie contact op met uw expeditiebedrijf.

ONDERHOUD

Gebruik uitsluitend Milwaukee toebehoren en onderdelen. Indien componenten die moeten worden vervangen niet zijn beschreven, neem dan contact op met een officieel Milwaukee servicecentrum (zie onze lijst met servicecentra).

Zo nodig kan een explosietekening van het apparaat worden aangevraagd bij uw klantenservice of direct bij Techtronic Industries GmbH, Max-Eyth-Str. 10, 71364 Winnenden, Duitsland onder vermelding van het machinetype en het zescijferige nummer op het typeplaatje.

SYMBOLEN

	OPGELET! WAARSCHUWING! GEVAAR!
	Voor alle werkzaamheden aan de machine de accu verwijderen.
	Graag instructies zorgvuldig doorlezen vóórdat u de machine in gebruik neemt.
	Elektrische apparaten, batterijen en accu's mogen niet via het huisafval worden afgevoerd. Elektrische apparaten en accu's moeten gescheiden worden verzameld en voor een milieuvriendelijke afvoer worden afgegeven bij een recyclingbedrijf. Informeer bij uw gemeente of bij uw vakhandelaar naar recyclingbedrijven en inzamelpunten.
n	Onbelast toerental
$V \sim$	V ~
	Gelijkstroom
	Europees symbool van overeenstemming
	Oekraïens symbool van overeenstemming
	Euro-Aziatisch symbool van overeenstemming

TEKNISKE DATA	AKKU SLAGBØRE-/SKRUEMASKINE	M18 BLDD2	M18 BLPD2
Produktionsnummer		4691 61 01...	4691 72 01...
		..000001-999999	..000001-999999
Bor-ø i stål		13 mm	13 mm
Bor-ø i træ			
med flat bit		32 mm	32 mm
med sneglebor		26 mm	26 mm
med hulsv		89 mm	89 mm
med førstnerbor		65 mm	65 mm
Bor-ø i tegl og kalksandsten			16 mm
Træskruer (uden forboring)		6 mm	6 mm
Omdrejningstal, ubelastet i 1. gear		0-550 min ⁻¹	0-550 min ⁻¹
Omdrejningstal, ubelastet i 2. gear		0-1800 min ⁻¹	0-1800 min ⁻¹
Slagantal i 1. gear		- min ⁻¹	0-8800 min ⁻¹
Slagantal i 2. gear		- min ⁻¹	0-28800 min ⁻¹
Drejningsmoment (5,0 Ah)		82 Nm	82 Nm
Udskiftningsbatteriets spænding		18 V	18 V
Borepatronspændevide		1,5-13 mm	1,5-13 mm
Vægt svarer til EPTA-procedure 01/2014 (2,0 Ah)		1,74 kg	1,79 kg
Vægt svarer til EPTA-procedure 01/2014 (5,0 Ah)		2,02 kg	2,07 kg
Anbefalet temperatur under arbejdet		-18...+50 °C	
Anbefalede batterityper		M18B...M18HB	
Anbefalede opladere		M12-18C, M12-18AC, M12-18FC, M1418C6	

Støj/Vibrationsinformation

Måleværdier beregnes iht. EN 60745.

Værktøjets A-vægtede lydtrykniveau er typisk

Lydtrykniveau (Usikkerhed K=3dB(A)) 80 dB (A) 92 dB (A)

Lyd effekt niveau (Usikkerhed K=3dB(A)) 91 dB (A) 103 dB (A)

Brug høreværn!

Samlede vibrationsværdier (værdisum for tre retninger) beregnet iht. EN 60745.

Vibrationseksponering $a_{h,v}$

Slagboring i beton $a_{h,v}$	11,85 m/s ²
Usikkerhed K=	1,5 m/s ²
Boring i metal I $a_{h,v}$	1,86 m/s ²
Usikkerhed K=	1,5 m/s ²
Skruining $a_{h,v}$	2,18 m/s ²
Usikkerhed K=	1,5 m/s ²

ADVARSEL

Svingningsniveauet, som er angivet i disse anvisninger, er målt i henhold til standardiseret måleprocedure ifølge EN 60745 og kan anvendes til indbyrdes sammenligning mellem el-værktøjer. Svingningsniveauet er ligeledes egnet som foreløbigt skøn over svingningsbelastningen.

Det angivne svingningsniveau er baseret på el-værktøjets primære anvendelsesformål. Hvis el-værktøjet benyttes til andre formål, med andet indsatsværktøj eller ikke vedligeholdes tilstrækkeligt, kan svingningsniveauet afvige. Dette kan øge svingningsbelastningen over den samlede arbejdsperiode betydeligt.

For en nøjagtig vurdering af svingningsbelastningen skal der også tages højde for de tidsperioder, hvor apparatet er slukket, eller hvor apparatet kører, men uden at være i anvendelse. Dette kan reducere svingningsbelastningen over den samlede arbejdsperiode betydeligt.

Supplerende sikkerhedsforanstaltninger til beskyttelse af brugeren mod påvirkninger fra svingninger skal iværksættes, f.eks.: Vedligeholdelse af el-værktøj og indsatsværktøj, varmholdelse af hænder, organisering af arbejdsprocesser.

⚠ ADVARSEL Læs alle advarselsinformationer, anvisninger, figurer og specifikationer, som følger med dette el-værktøj. En manglende overholdelse af alle nedenstående anvisninger kan medføre elektrisk stød, brand og/eller alvorlige kvæstelser.

Opbevar alle advarselshenvisninger og instrukser til senere brug.

⚠ SIKKERHEDSANVISNINGER FOR ARBEJDE MED BØREMASKINER

Brug høreværn under slagboring. Støjen kan føre til nedsat hørelse.

Brug de ekstra håndtag, som følger med apparatet. Hvis kontrollen mistes, kan det medføre personskaade.

Hold maskinen fast i de isolerede gribeflader, når du udfører arbejde, hvor der er risiko for, at skæreværktøjet kan ramme skjulte strømledninger eller værktøjets egen ledning.

Kommer skæreværktøjet i kontakt med en strømførende ledning, kan maskinens metaldele komme under spænding og give elektrisk stød.

Brug aldrig en højere omdrejningshastighed end den omdrejningshastighed, som er angivet som den maksimale for borepatronen. Ved højere hastigheder er der risiko for, at borepatronen bøjer, hvis den får lov til at dreje uden at have kontakt til arbejdsområdet, hvilket kan forårsage personskaade.

Start altid med en lav omdrejningshastighed, mens borepatronen får kontakt med arbejdsområdet. Ved højere hastigheder er der risiko for, at borepatronen bøjer, hvis den får lov til at dreje uden at have kontakt til arbejdsområdet, hvilket kan forårsage personskaade.

Læg altid kun pres på i lige linje til borepatronen og pres ikke for hårdt. Borepatroner kan bøje og brække af eller medføre tab af kontrol over værktøjet, hvilket kan forårsage personskaade.

⚠ VEILIGHEIDSLINSTRUCTIES VOOR SCHROEVENDRAAIERS

Houd het apparaat alléén vast aan de geïsoleerde grijpvlakken als u werkzaamheden uitvoert waarbij de schroef verborgen stroomleidingen zou kunnen raken. Het contact van de schroef met een spanningvoerende leiding kan de metalen apparaatdelen onder spanning zetten en zo tot een elektrische schok leiden.

YDERLIGERE SIKKERHEDS- OG ARBEJDSINFORMATIONER

Brug beskyttelsesudstyr. Bær altid sikkerhedsbriller, når du arbejder med maskinen. Vi anbefaler desuden brug af personlig beskyttelsesudrustning, såsom støvmaske, sikkerhedshandsker, fast og skridsikkert skotøj, hjelm og høreværn.

Støv, som opstår under arbejdet, er ofte sundhedsfarligt og bør ikke trænge ind i kroppen. Benyt egnet åndedrætsværn.

Der må ikke bearbejdes nogen materialer, der kan udgøre en sundhedsrisiko (f.eks. asbest).

Sluk straks for maskinen, hvis indsatsværktøjet er blokeret! Tænd ikke for maskinen igen, så længe indsatsværktøjet er blokeret; dette kan føre til et tilbageslag med højt reaktionsmoment. Find frem til og afhjælp årsagen til indsatsværktøjets blokering under hensyntagen til sikkerhedsinstruktionerne.

Mulige årsager hertil kan være:

- at det sidder i klemme i emnet der bearbejdes
- at det har brækket materialet der bearbejdes
- at el-værktøjet er overbelastet

Grib ikke ind i maskinen, når den kører.

Indsatsværktøjet kan blive varmt under brugen.

ADVARSEL! Fare for forbrændinger

- ved værktøjsskift
- når man lægger maskinen fra sig

Spåner eller splinter må ikke fjernes, medens maskinen kører. Ved arbejdsboring i væg, loft eller gulv skal man passe på elektriske kabler, gas- og vandledninger.

Sørg for at sikre dit emne med en spændeanordning. Ikke sikrede emner kan forårsage alvorlige kvæstelser og beskadigelser.

Ved arbejde inden i maskinen, bør batteriet tages ud.

Opbrugte udskiftningsbatterier må ikke brændes eller kasseres sammen med alm. husholdningsaffald. Milwaukee har en miljørigtig bortskaffelse af gamle udskiftningsbatterier, henvend Dem til Deres forhandler.

Opbevar ikke udskiftningsbatterier sammen med metalgenstande af fare for kortslutning.

Brug kun M18 ladeapparater for opladning af System M18 batterier.

Udskiftningsbatterier og opladere må ikke åbnes og skal opbevares i tørre rum. Beskyt dem mod fugtighed.

I tilfælde af en ekstrem belastning eller ekstrem temperatur kan der flyde batterivæske ud af et beskadiget batteri. Hvis De kommer i berøring med batterivæsken, skal den vaskes godt og grundigt af med vand og sæbe. I tilfælde af øjenkontakt, skal man mindst skylle øjnene godt og grundigt igennem i 10 minutter og omgående opsøge en læge.

BRUG ALTID ET EKSTRAHÅNDTAG, når der bruges et batteri med en kapacitet på 9,0 Ah eller større; nogle el-værktøjers drejningsmoment kan tiltage. Hvis din borskruemaskine eller slagboremaskine blev leveret uden ekstrahåndtag, bedes du bruge ekstrahåndtagets reservedel (se el-værktøjets eksplosionstegning).

Sæt ikke bits i, mens maskinen kører og afbryderknappen ikke er låst. Brugeren kan komme til skade pga. den roterende bit.

Advarsel! For at undgå risiko for brand, kvæstelser eller beskadigelse af produktet forårsaget af kortslutning må værktøjet, batteripakken eller opladeren ikke nedsænkes i vand. Sørg ligeledes for, at der ikke trænger væske ind i enhederne og batterierne. Korroderende eller ledende væsker, f.eks. saltvand, bestemte kemikalier, blegestoffer eller produkter, som indeholder blegestoffer, kan forårsage kortslutning.

TILTÆNKT FORMÅL

Akku slagboremaskinen kan anvendes til alm. boreopgaver, slagboring og som skruemaskine uden tilslutning til stikkontakt. Produktet må ikke anvendes på anden måde og til andre formål end foreskrevet.

CE-KONFORMITETSERKLÆRING

Vi erklærer som eneansvarlig, at det under "Tekniske data" beskrevne produkt stemmer overens med alle relevante forskrifter, der følger af direktiv 2011/65/EU (RoHS), 2014/30/EU, 2006/42/EF samt af følgende harmoniserede normative dokumenter:

EN 60745-1:2009 + A11:2010
 EN 60745-2-1:2010
 EN 60745-2-2:2010
 EN 55014-1:2017
 EN 55014-2:2015
 EN 50581:2012

Winnenden, 2018-04-30



Alexander Krug
 Managing Director
 Autoriseret til at udarbejde de tekniske dokumenter.
 Techtronic Industries GmbH
 Max-Eyth-Straße 10
 71364 Winnenden
 Germany

BATTERI

Udskiftningsbatterier, der ikke har været brugt i længere tid, efterlades inden brug.

Ved temperaturer over 50°C formindskes batteriets effekt. Undgå direkte sollys og stærk varme.

Tilslutningskontakterne på oplader og udskiftningsbatterier skal holdes rene. For at opnå en optimal levetid skal de genopladelige batterier oplades fuldt efter brug.

For at sikre en så lang levetid som muligt skal batterierne tages ud af ladeaggregatet efter opladning.

Skal batterierne opbevares længere end 30 dage:

Temperatur ca. 27°C i tørre omgivelser.

Opbevares ved ca. 30%-50% af ladetilstanden.

Batteri skal genoplades hver 6. måned.

OVERBELASTNINGSSIKRING FOR BATTERI

Overbelastes batteriet på grund af meget højt strømforbrug, f.eks. som følge af ekstremt høje drejningsmomenter, fastklemning af bor, pludseligt stop eller kortslutning, brummer el-værktøjet i 2 sekunder og slukker så af sig selv.

For at tænde igen slipper du trykknappen og tænder el-værktøjet på ny. Under ekstreme belastninger kan batteriet blive meget varmt. I så fald kobl batteriet fra.

Sæt batteriet i ladeadapteren for at genoplade det og aktivere det.

TRANSPORT AF LITHIUM-BATTERIER

Lithium-batterier er omfattet af lovgivningen om transport af farligt gods. Transporten af disse batterier skal ske under overholdelse af lokale, nationale og internationale regler og bestemmelser.

- Forbrugere må transportere disse batterier på veje uden yderligere krav.
- Den kommercielle transport af lithium-batterier ved speditorsfirmaer er omfattet af reglerne for transport af farligt gods. Forberedelsen af forsendelse og transport må kun udføres af tilsvarende trænedte personer. Den samlede proces skal følges af fagfolk.

Følgende punkter skal overholdes ved transport af batterier:

- Sørg for at kontakterne er beskyttet og isoleret for at forhindre kortslutninger.
- Sørg for at batteripakken ikke kan bevæge sig inden for emballagen.
- Beskadigede eller lækende batterier må ikke transporteres.

Kontakt dit speditorsfirma for at få yderligere oplysninger.

VEDLIGEHOLDELSE

Brug kun Milwaukee-tilbehør og Milwaukee-reservedele. Komponenter, hvor udskiftningsproceduren ikke er beskrevet, skal skiftes ud hos et Milwaukee-servicested (se brochure garanti/kundeserviceadresser). Hvis det er nødvendigt, kan der bestilles en sprængskitse af værktøjet. Angiv herved venligst maskintypen samt det sekscifrede nummer på mærkepladen og bestil tegningen hos din lokale kundeserviceafdeling eller direkte hos Techtronic Industries GmbH, Max-Eyth-Straße 10, 71364 Winnenden, Tyskland.

SYMBOLER

	VIGTIGT! ADVARSEL! FARE!
	Ved arbejde inden i maskinen, bør batteriet tages ud.
	Læs brugsanvisningen nøje før ibrugtagning.
	Elektrisk udstyr eller (genopladelige) batterier må ikke bortskaffes sammen med det almindelige husholdningsaffald. Elektrisk udstyr og genopladelige batterier skal indsamles særskilt og afleveres hos en genbrugsvirksomhed til en miljømæssig forsvarlig bortskaffelse. Spørg de lokale myndigheder eller din forhandler om genbrugsstationer og indsamlingssteder til sådant affald.
n	Omdrejningstal, ubelastet
V	Veksel-spænding
— — —	Jævnstrøm
	Europæisk konformitetsmærke
	Ukrainsk konformitetsmærke
	Eurasisk konformitetsmærke

TEKNISKE DATA	BATTERIDREVT SLAGBORMASKIN/SKRUTREKKE	M18 BLDD2	M18 BLPD2
Produksjonsnummer		4691 61 01...	4691 72 01...
		..000001-999999	..000001-999999
Bor-ø i stål		13 mm	13 mm
Bor-ø i treverk=			
med flat bit		32 mm	32 mm
med spiralbor		26 mm	26 mm
med hullsag		89 mm	89 mm
med selvbor		65 mm	65 mm
Bor-ø i tegl og kalksandstein			16 mm
Treskruer (uten forboring)		6 mm	6 mm
Tomgangsturtall i 1. gir		0-550 min ⁻¹	0-550 min ⁻¹
Tomgangsturtall i 2. gir		0-1800 min ⁻¹	0-1800 min ⁻¹
Slagtall i 1. gir		min ⁻¹	0-8800 min ⁻¹
Slagtall i 2. gir		min ⁻¹	0-28800 min ⁻¹
Dreiemoment (5,0 Ah)		82 Nm	82 Nm
Spenning vekselbatteri		18 V	18 V
Chuckspenområde		1,5-13 mm	1,5-13 mm
Vekt i henhold til EPTA-Prosedyren 01/2014 (2,0 Ah)		1,74 kg	1,79 kg
Vekt i henhold til EPTA-Prosedyren 01/2014 (5,0 Ah)		2,02 kg	2,07 kg
Anbefalt omgivelsestemperatur under arbeid			-18...+50 °C
Anbefalte batterityper			M18B...M18HB
Anbefalte ladere		M12-18C, M12-18AC, M12-18FC, M1418C6	

Støy-/vibrasjonsinformasjon

Måleverdier fastslått i samsvar med EN 60745.

Det A-bedømte lydnivået til maskinen er:

Lydtrykknivå (Usikkerhet K=3dB(A))	80 dB (A)	92 dB (A)
Lydeffektnivå (Usikkerhet K=3dB(A))	91 dB (A)	103 dB (A)

Bruk hørselsvern!

Totalt svingningsverdi (vektorsum fra tre retninger) beregnet jf. EN 60745.

Svingningsemisjonsverdi $a_{h,10}$

Slagboring i betong $a_{h,10}$		11,85 m/s ²
Usikkerhet K=		1,5 m/s ²
Boring i metall $a_{h,10}$	1,86 m/s ²	1,86 m/s ²
Usikkerhet K=	1,5 m/s ²	1,5 m/s ²
Skruing $a_{h,10}$	2,18 m/s ²	2,18 m/s ²
Usikkerhet K=	1,5 m/s ²	1,5 m/s ²

ADVARSEL

Svingningsnivået som er angitt i denne instruksjonen er målt i overensstemmelse med målemetoden normert i direktiv EN 60745 og kan brukes til å sammenligne elektromaskiner med hverandre. Den egner seg også for en foreløpig vurdering av svingningsbelastningen.

Det angitte svingningsnivået representerer de hovedsakelige bruk av elektroverktøyet. Men anvendes elektroverktøyet for andre bruk med avvikende utskiftbare verktøy eller vedlikeholdet er utilstrekkelig, kan svingningsnivået være avvikende.

Dette kan forhøye svingningsbelastning betydelig over hele arbeidsperioden. For en nøyaktig vurdering av svingningsbelastningen må også det tas hensyn til tiden apparatet er avslått eller står på, men ikke er i bruk. Dette kan redusere svingningsbelastningen betydelig over hele arbeidsperioden.

Innfør også ekstra sikkerhetstiltak for å beskytte bruker mot utvirkingen av svingningene. Disse kan f.eks. være: vedlikehold av elektroverktøyet og det utskiftbare verktøyet, holde hendene varme, organisasjon av arbeidsforløpet.

⚠ ADVARSEL! Les gjennom alle sikkerhets advarsler, anvisninger, illustrasjoner og spesifikasjoner for dette elektroverktøyet. Feil ved overholdelsen av advarslene og nedenstående anvisninger kan medføre elektriske støt, brann og/eller alvorlige skader.

Ta godt vare på alle advarslene og informasjonene.

⚠ SIKKERHETSINSTRUKSER FOR BOREMASKINER

Bruk hørselsvern ved bruk av slagboret. Støy kan føre til tap av hørselen.

Bruk de med apparatet medleverte tileggshandtak. Tap av kontrollen kan føre til skader.

Hold apparatet i de isolerte holdeflatene, når det arbeides på steder hvor elektroverktøyet kan treffe skjulte strømledninger eller verktøyet egen kabel.

Kontakt med en ledning som er under spenning, kan også sette metalldele til apparatet under spenning og føre til et elektrisk slag.

Bruk aldri et høyere turtall enn maksimalt turtall som er angitt for borekronen. Ved høyere turtall kan borekronen bli bøyd når den roterer uten kontakt med arbeidsstykket, noe som igjen kan føre til personskaade.

Start alltid med et lavt turtall og mens borekronen er i kontakt med arbeidsstykket. Ved høyere turtall kan borekronen bli bøyd når den roterer uten kontakt med arbeidsstykket, noe som igjen kan føre til personskaade.

Utøv trykk bare i direkte posisjon mot borekronen, og ikke trykk for hardt. Borekroner kan bøye seg og brykke, og dette kan igjen føre til at du mister kontrollen over apparatet, slik at det kan oppstå personskaade.

⚠ SIKKERHETSINSTRUKSER FOR SKRUTREKERE

Hold apparatet i de isolerte holdeflatene, når arbeid utføres hvor skruen kan treffe skjulte strømledninger. Kontakt av skruen med en strømførende ledning kan sette apparatets metalldele under spenning og føre til elektrisk slag.

YTERLIGE SIKKERHETS- OG ARBEIDSSINSTRUKSJONER

Bruk vernebekledning. Ta alltid på vernebrille ved bruk av maskinen. Vernebekledning så vel som støvmaske, vernehansker, fast og sklissikkert skotøy, hjem og hørselsvern er anbefalt.

Støvet som oppstår ved arbeidet er ofte helsefarlig og skal ikke komme i kontakt med kroppen. Bruk derfor verneemaske som er egnet for støv.

Materialer som er helsefarlig skal ikke bearbeides (f.eks. asbest)

Slå av apparatet med en gang dersom det isatte verktøyet er blokkert! Ikke slå apparatet på igjen så lenge det isatte verktøyet er blokkert; her kan det oppstå et tilbakeslag med høyt reaksjonsmoment. Finn ut hvorfor det isatte verktøyet blokkerer og fjern årsaken til dette. Ta herved hensyn til sikkerhets instruksene.

Mulige årsaker til dette kan være:

- det har forkantet seg i arbeidsemnet som bearbeides
- det har brekt igjennom materialet som bearbeides
- elektroverktøyet er overbelastet

Ikke grip inn i maskinen når den står på og går.

Isatt verktøy kan i bruk bli veldig varmt.

ADVARSEL! Fare for forbrenning

- ved skifting av verktøy
- når apparatet legges ned

Spon eller fliser må ikke fjernes mens maskinen er i gang.

Pass på kabler, gass- og vannledninger når du arbeider i vegger, tak eller gulv.

Klem fast arbeidselementet med en spenninnetring. Ikke sikre arbeidselementer kan ha alvorlige helseskader og skader av material til følge.

Ta ut vekselbatteriet før du arbeider på maskinen

Ikke kast brukte vekselbatterier i varmen eller husholdningsavfallet. Milwaukee tilbyr en miljøriktig deponering av gamle vekselbatterier; vennligst spør din fagforhandler.

Ikke oppbevar vekselbatterier sammen med metallgjenstander (kortslutningsfare).

Vekselbatterier av systemet M18 skal kun lades med lader av systemet M18. Ikke lad opp batterier fra andre systemer.

Ikke åpne vekselbatterier og ladere, de skal oppbevares i tørre rom. Beskyttes mot fuktighet.

Under ekstreme belastninger og ekstreme temperaturer kan det lekke ut batterivæske fra utskiftbare batterier. Ved berøring med batterivæske, vask umiddelbart med såpe og vann. Ved kontakt med øynene må øynene skylles grundig i rennende vann i minst 10 minutter. Oppsøk lege umiddelbart.

BRUK ALLTID ET TILLEGGSHÅNDTAK, når det brukes et batteri med en kapasitet på 9,0 Ah eller høyere; dreiemomentet til noen elektroverktøy kan forhøye seg. Ble din drill eller slagborskrutrekker levert uten tilleggshåndtak, så bruk tilleggshåndtakets reservedel (se eksplosjonstegningen til elektroverktøyet).

Ikke sett inn et bor mens maskinen er i gang og bryteren ikke er låst fast. Dersom boret dreier seg, kan brukeren bli skadet.

Advarsel! For å unngå fare for en brann forårsaket av en kortslutning, av personskafer eller skader av produktet, må det forhindres at batteripakken eller laderen dypes i væsker og også sørges for at ingen væsker kan komme inn i apparatene eller batteriene. Korroderende og ledende væsker som saltvann, visse kjemikalier og blekemidler eller produkt som inneholder blekemidler kan forårsake en kortslutning.

FORMÅLSMESSIG BRUK

Batteri-elektronikk-slagboreskrutrekkeren kan brukes universelt til boring, slagboring og skruing uavhengig av netttilkopling. Dette apparatet må kun brukes til de oppgitte formål.

CE-SAMSVARERKLÆRING

Vi erklærer i alene ansvar at produktet beskrevet i "Teknisk data" overensstemmer med alle relevante forskrifter til Eu direktiv 2011/65/EU (RoHS), 2014/30/EU, 2006/42/EF og de følgende harmoniserte normative dokumentene.

EN 60745-1:2009 + A11:2010
EN 60745-2-1:2010
EN 60745-2-2:2010
EN 55014-1:2017
EN 55014-2:2015
EN 50581:2012

Winnenden, 2018-04-30

Alexander Krug
Managing Director
Autorisert til å utarbeide den tekniske dokumentasjonen
Techtronic Industries GmbH
Max-Eyth-Straße 10
71364 Winnenden
Germany



BATTERIER

Vekselbatterier som ikke er brukt over lengre tid skal etterlades før bruk. En temperatur over 50°C reduserer vekselbatteriets kapasitet. Unngå oppvarming i sol eller ved varmeovner (fyring) i lengre tid.

Hold tilkopplingskontaktene på lader og vekselbatteri rene.

For en optimal levetid må batteriene etter bruk lades helt opp.

For å sikre en lengst mulig brukstid av batteriene skal disse etter oppladning taes ut av laderen.

Ved lagring av batteriene lengre enn 30 dager:

Lagre batteriet tørt ved ca. 27°C.

Lagre batteriet ved en oppladningsstilstand på ca. 30%-50%.

Lade opp batteriet igjen etter 6 måneder.

OVERBELASTNINGSVERN FOR OPPLADBARE BATTERIER

Ved overbelastning av det oppladbare batteriet p.g.a. svært høy strømforbruk, for eksempel ved ekstrem høye dreiemoment, fastklemming av boret, plusselig stopp eller kortslutning, brummer elektroverktøyet 2 sekunder og slår seg så automatisk av.

For å slå det på igjen, må man slippe trykkbryteren og så slå på igjen. Ved ekstreme belastninger kan det oppladbare batteriet bli sterkt opphett. I slike tilfeller kobler batteriet seg ut. Sett batteriet da i laderen for å få det oppladet og aktivert igjen.

TRANSPORT AV LITUM-ION-BATTERI

Litium-ion-batterier faller under de lovfestede forskriftene om transport av farlig gods.

Transporten av disse batteriene må rette seg etter lokale, nasjonale og internasjonale forskrifter og bestemmelser.

- Forbruker har lov å transportere disse batteriene på gaten uten reglementering.
- Den kommersielle transport av Litium-ion-batterier av spedisjonsfirma faller under bestemmelsene om transport av farlig gods. Forberedningene av forsendelsen og transport skal utelukkende gjennomføres av personer som har blitt skolert til dette. Hele prosessen skal følges opp av fagfolk.

Følgende punkter skal tas hensyn til ved transport:

- Kontroller at kontaktene er beskyttet og isolert for å unngå kortslutninger.
- Pass på at batteripakken i forpakningen ikke kan skli fram og tilbake.
- Skadede eller batterier som lekker er det ikke lov å transportere.

Ta kontakt med spedisjonsfirma for ytterlige henvisninger.

VEDLIKEHOLD

Bruk kun Milwaukee tilbehør og Milwaukee reservedeler. Komponenter der utskifting ikke er beskrevet skal skiftes ut hos Milwaukee kundeservice (se brosjyre garanti/kundeserviceadresser).

Ved behov kan det fås en eksplosjonstegning av apparatet hos kundeservice eller direkte hos Techtronic Industries GmbH, Max-Eyth-Straße 10, 71364 Winnenden, Germany ved angivelse av maskinens type og det sekstallige nummeret på maskinens skilt.

SYMBOLER

	OBS! ADVARSEL! FARE!
	Ta ut vekselbatteriet før du arbeider på maskinen
	Les nøye gjennom bruksanvisningen før maskinen tas i bruk.
	Elektriske apparater, batterier/oppladbare batterier skal ikke kastes sammen med vanlig husholdningsavfall. Elektriske og elektroniske apparater og oppladbare batterier skal samles separat og leveres til miljøvennlig deponering hos en avfallsbedrift. Informer deg hos myndighetene på stedet eller hos din fagforhandler hvor det finnes recycling bedrifter og oppsamlingssteder.
n_n	Tomgangsturtall
V	Volt
	Likestrøm
	Europeisk samsvarsmerke
	Ukrainsk samsvarsmerke
	Euroasiatisk samsvarsmerke

TEKNISKA DATA BATTERIDRIVEN SLAGBORRMASKIN/SKRUVDRAGARE	M18 BLDD2	M18 BLPD2
Produktionsnummer	4691 61 01 ..000001-999999	4691 72 01... ..000001-999999
Borrdiam. in stål	13 mm	13 mm
Borrdiam. in trä		
med flat bit	32 mm	32 mm
med spiralbör	26 mm	26 mm
med hälcirkelsåg	89 mm	89 mm
med förstnerbör	65 mm	65 mm
Borrdiam. tegel, kalksten		16 mm
Tråskruvning (utan förborring)	6 mm	6 mm
Obelastat varvtal 1:a växel	0-550 min ⁻¹	0-550 min ⁻¹
Obelastat varvtal 2:a växel	0-1800 min ⁻¹	0-1800 min ⁻¹
Slagtal 1:a växel	min ⁻¹	0-8800 min ⁻¹
Slagtal 2:a växel	min ⁻¹	0-28800 min ⁻¹
Vridmoment (5,0 Ah)	82 Nm	82 Nm
Batterispänning	18 V	18 V
Chuckens spännområde	1,5-13 mm	1,5-13 mm
Vikt enligt EPTA 01/2014 (2,0 Ah)	1,74 kg	1,79 kg
Vikt enligt EPTA 01/2014 (5,0 Ah)	2,02 kg	2,07 kg
Rekommenderad omgivningstemperatur vid arbete		-18...+50 °C
Rekommenderade batterityper		M18B...M18HB
Rekommenderade laddare		M12-18C, M12-18AC, M12-18FC, M1418C6

Buller-/vibrationsinformation

Mätvärdena har tagits fram baserade på EN 60745.

A-värdet av maskinens ljudtrycksnivå är

Ljudtrycksnivå (Onoggrannhet K=3dB(A))	80 dB (A)	92 dB (A)
Ljudeffektsnivå (Onoggrannhet K=3dB(A))	91 dB (A)	103 dB (A)

Använd hörselskydd!

Totala vibrationsvärden (vektorsumma ur tre riktningar) framtaget enligt EN 60745.

Vibrationsemissionsvärde a_h

Slagborrning i betong a _{h, ID}	11,85 m/s ²
Onoggrannhet K=	1,5 m/s ²
Borrning i metall I a _{h, ID}	1,86 m/s ²
Onoggrannhet K=	1,5 m/s ²
Skruvning a _h	2,18 m/s ²
Onoggrannhet K=	1,5 m/s ²

VARNING

Den i de här anvisningarna angivna vibrationsnivån har uppmätts enligt ett i EN 60745 normerat mätförfarande och kan användas vid jämförelse mellan olika elverktyg. Nivån är även lämplig att använda vid en preliminär bedömning av vibrationsbelastningen.

Den angivna vibrationsnivån representerar den huvudsakliga användningen av det aktuella elverktyget. Men om elverktyget ska användas i andra användningsområden, tillsammans med avvikande insatsverktyg eller efter otillräckligt underhåll, kan vibrationsnivån skilja sig. Det kan öka vibrationsbelastningen betydligt under hela arbetstiden.

För att få en exaktare bedömning av vibrationsbelastningen ska även den tid beaktas, under vilken elverktyget är avstängt eller är påslaget, utan att det verkligen används. Det kan reducera vibrationsbelastningen betydligt under hela arbetstiden.

Lägg som skydd för användaren fast extra säkerhetsåtgärder mot vibrationernas verkan, som till exempel: underhåll av elverktyg och insatsverktyg, varmhållning av händer och organisering av arbetsförlopp.

⚠ VARNING! Läs noga igenom alla säkerhetsanvisningar, illustrationer och specifikationer som medföljer detta elverktyg. Fel som uppstår till följd av att anvisningarna nedan inte följs kan orsaka elstöt, brand och/eller allvarliga kroppsskador.
Förvara alla varningar och anvisningar för framtida bruk.

⚠ SÄKERHETSINSTRUKTIONER FÖR BORRMASKINER

Använd alltid hörselskydd när du använder en slagborrmaskin. Buller kan leda till att du förlorar hörseln.

Använd de extrahandtag som levereras tillsammans med maskinen. Förlost av kontrollen kan leda till personskador.

Håll fast apparaten med hjälp av de isolerade greppytorna när du utför arbeten där arbetsverktyget skulle kunna träffa på dölda elledningar eller kablar.

Om man kommer i kontakt med en spänningsförande ledning, så kan även de delar på verktyget som är av metall bli spänningsförande och leda till att man får en elektrisk stöt.

Använd aldrig ett högre varvtal än det maximala varvtalet som är angivet för borrsatsen. Vid högre varvtal kan borrsatsen krökas om den roterar utan kontakt mot arbetsstycket, vilket kan leda till personskador.

Starta alltid med ett lågt varvtal och medan borrsatsen har kontakt med arbetsstycket. Vid högre varvtal kan borrsatsen krökas om den roterar utan kontakt mot arbetsstycket, vilket kan leda till personskador.

Utöva alltid tryck bara i direkt inriktning mot borrsatsen och tryck inte alltför hårt. Borrsatser kan krökas och brytas av eller leda till att användare förlorar kontrollen över apparaten, vilket kan leda till personskador.

⚠ SÄKERHETSINSTRUKTIONER FÖR SKRUVARE

Håll apparaten i de isolerade greppytorna när ni utför arbeten där skruven kan träffa dölda elkablar. Skruvens kontakt med en strömförande ledning kan sätta apparatdelar av metall under spänning och leda till elektrisk stöt.

ÖVRIGA SÄKERHETS- OCH ANVÄNDNINGSSINSTRUKTIONER

Använd skyddsutrustning. Använd alltid skyddsglasögon när du använder maskinen. Som skyddsutrustning rekommenderar vi t.ex. en dammskyddsmask, skyddshandskar, stabila och halksäkra skor, hjälm och hörselskydd.

Det damm som bildas under arbetets gång är ofta hälsofarligt och det ska inte komma in i kroppen. Bär därför lämplig skyddsmask. Det är inte tillåtet att bearbeta material som kan vara hälsovärdigt (t.ex. asbest).

Stäng av maskinen omedelbart om ett verktyg som används sitter fast! Sätt sedan inte på maskinen igen så länge som verktyget som används fortfarande sitter fast; risk för okontrollerade slag med högt reaktionsmoment. Ta reda på orsaken varför verktyget fastnade och åtgärda orsaken med hänsyn till säkerhetsanvisningarna.

Möjliga orsaker kan vara:

- Verktyget sitter snett i arbetsstycket
- Verktyget går igenom materialet som bearbetas
- Elverktyget är överbelastat

Gå aldrig med händerna in i en maskin som är igång.

Verktyget som används kan bli mycket varmt under användningen.

VARNING! Risk för brännskador
• vid verktygsbyte

- när man lägger ifrån sig maskinen

Avlägsna aldrig spån eller flisor när maskinen är igång.

Vid arbetenborring i vägg, tak eller golv, var alltid observant på befintliga el-, gas- eller vattenledningar.

Säkra arbetsstycket med en fastspänningsanordning. Arbetsstycken som inte är ordentligt fastspända kan leda till allvarlig kroppsskada eller annan skada.

Drag ur batteripaket innan arbete utföres på maskinen.

Kasta inte förbrukade batterier. Lämna dem till Milwaukee Tools för återvinning.

Förvara ej batteriet ihop med metallföremål, kortslutning kan uppstå.

System M18 batterier laddas endast i System M18 laddare. Ladda inte batterier från andra system.

Batterier lagras torrt och skyddas för fukt.

Under extrem belastning eller extrem temperatur kan batterivätska tränga ut ur skadade utbytesbatterier. Vid beröring med batterivätska tvätta genast av med vatten och tvål. Vid ögonkontakt spola genast i minst 10 minuter och kontakta genast läkare.

ANVÄND ALLTID ETT EXTRA HANDTAG när ett batteri med en kapacitet på 9,0 Ah eller mer används, vridmomentet hos vissa elverktyg kan ökas. Om din skruvdragare eller slagskruvdragare levererades utan extra handtag, använd extrahandtagets reservdel (se elverktygets explosionsritning).

Bits får inte sättas in när maskinen är igång och strömbrytaren inte är låst. Roterande bits kan skada användaren.

Varning! För att undvika den fara för brand, personskador eller produktskador som orsakas av en kortslutning, doppa inte ner verktyget, utbytesbatteriet eller laddaren i vätskor och se till att ingen vätska kan tränga in i apparaterna eller batterierna. Korroderande eller ledande vätskor, som saltvatten, vissa kemikalier, blekningsmedel eller produkter som innehåller blekmedel, kan orsaka en kortslutning.

ANVÄND MASKINEN ENLIGT ANVISNINGARNA

Denna Akku-elektronikmaskin är användbar för både borring, slagborring och skruvning.

Maskinen får endast användas för angiven tillämpning.

CE-FÖRSÄKRAN

Vi intygar och ansvarar för att den produkt som beskrivs under "Tekniska data" överensstämmer med alla relevanta bestämmelser i direktiv 2011/65/EU (RoHS), 2014/30/EU, 2006/42/EG och följande harmoniserade normerande dokument:

EN 60745-1:2009 + A11:2010
EN 60745-2-1:2010
EN 60745-2-2:2010
EN 55014-1:2017
EN 55014-2:2015
EN 50581:2012

Winnenden, 2018-04-30

Alexander Krug
Managing Director



Befullmäktigad att sammanställa teknisk dokumentation.
Techtronic Industries GmbH
Max-Eyth-Straße 10
71364 Winnenden
Germany

BATTERIER

Batten som ej använts på länge måste laddas före nytt bruk.

En temperatur över 50°C reducerar batteriets effekt. Undvik längre uppvärmning tex i solen eller nära ett element.

Se till att anslutningskontaktarna i laddaren och på batteriet är rena.

För en optimal livslängd ska batterierna laddas helt igen efter användningen.

För att få en så lång livslängd som möjligt bör laddningsbara batterier avlägsnas från laddaren när de är laddade.

Om laddningsbara batterier lagras längre än 30 dagar:

Lagra batteriet torrt och vid ca 27°C.

Lagra batteriet vid ca 30%-50% av laddningskapaciteten.

Ladda batterierna på nytt var 6:e månad.

BATTERI-ÖVERBELASTNINGSSKYDD

Om det uppladdningsbara batteriet överbelastas på grund av mycket hög strömförbrukning, till exempel vid extremt höga vridmoment, fastklämning av borrar, plötsligt stopp eller kortslutning, brummar elverktyget i 2 sekunder och stängs sedan av automatiskt.

Släpp därefter först upp tryckknappen och slå sedan på elverktyget igen, om du vill fortsätta bearbetningen.

Vid extrem belastning kan batteriet bli väldigt varmt. I ett sådant fall stängs batteriet av automatiskt.

Sätt då batteriet i laddaren för att ladda upp och aktivera det igen.

TRANSPORTERA LITIJUMJON-BATTERIER

För litiumjon-batterier gäller de lagliga föreskrifterna för transport av farligt gods på väg.

Därför får dessa batterier endast transporteras enligt gällande lokala, nationella och internationella föreskrifter och bestämmelser.

- Konsumenter får transportera dessa batterier på allmän väg utan att behöva beakta särskilda föreskrifter.
- För kommersiell transport av litiumjon-batterier genom en speditorsfirma gäller emellertid bestämmelserna för transport av farligt gods på väg. Endast personal som känner till alla tillämpliga föreskrifter och bestämmelser får förbereda och genomföra transporten. Hela processen ska följas upp på fackmässigt sätt.

Följande ska beaktas i samband med transporten av batterier:

- Säkerställ att alla kontakter är skyddade och isolerade för att undvika kortslutning.
- Se till att batteripacken inte kan glida fram och tillbaka i förpackningen.
- Transportera aldrig batterier som läcker, har runnit ut eller är skadade.

För mer information vänligen kontakta din speditorsfirma.

SKÖTSEL

Använd endast Milwaukee-tillbehör och Milwaukee-reservdelar. Komponenter, för vilka inget byte beskrivs, skall bytas ut hos Milwaukee-kundtjänst (se broschyren garanti-/kundtjänstadresser).

Vid behov kan du rekommendera apparatens sprängskiss antingen hos kundservicen eller direkt hos Techtronic Industries GmbH, Max-Eyth-Straße 10, 71364 Winnenden, Germany. Du ska då ange maskintypen och numret på sex siffror som står på effektskylten.

SYMBOLER

	OBSERVERA! VARNING! FARA!
	Drag ur batteripaket innan arbete utföres på maskinen.
	Läs instruktionen noga innan du startar maskinen.
	Elektriska maskiner, batterier/uppladdningsbara batterier och får inte slängas tillsammans med de vanliga hushållssoporna. Elektriska maskiner och uppladdningsbara batterier ska samlas separat och lämnas till en avfallsstation för miljövänlig avfallshantering. Kontakta den lokala myndigheten respektive kommunen eller fråga återförsäljare var det finns speciella avfallsstationer för elektrisk.
n_h	Tomgångsvarvtal, obelastad
V	Volts Växelström
	Likström
	Europeiskt konformitetsmärke
	Ukrainskt konformitetsmärke
	Euroasiatiskt konformitetsmärke

TEKNISET ARVOT	AKKU-ISKUPORAKONE/RUUVINKIERRIN	M18 BLDD2	M18 BLPD2
Tuotantonumero	4691 61 01	4691 72 01	4691 72 01
Poran ø teräkseen	13 mm	13 mm	13 mm
Poran ø puuhun			
Flat bit kera	32 mm	32 mm	32 mm
kierukaporanterän kera	26 mm	26 mm	26 mm
reikäsaahan kera	89 mm	89 mm	89 mm
itseppoavan poranterän kera	65 mm	65 mm	65 mm
Poran ø tiiliin ja kalkkikiekkakiviin	16 mm	16 mm	16 mm
Puuruuvi (ilman esiporausta)	6 mm	6 mm	6 mm
Kuormittamaton kierrosliku 1. vaihteella	0-550 min ⁻¹	0-550 min ⁻¹	0-550 min ⁻¹
Kuormittamaton kierrosliku 2. vaihde	0-1800 min ⁻¹	0-1800 min ⁻¹	0-1800 min ⁻¹
Iskutaajuus 1. vaihteella	- min ⁻¹	0-8800 min ⁻¹	0-8800 min ⁻¹
Iskutaajuus 2. vaihde	- min ⁻¹	0-28800 min ⁻¹	0-28800 min ⁻¹
Vääntömomentti (5,0 Ah)	82 Nm	82 Nm	82 Nm
Jännite vaihtoakku	18 V	18 V	18 V
Istukan aukeama	1,5-13 mm	1,5-13 mm	1,5-13 mm
Paino EPTA-menettelyn 01/2014 mukaan (2,0 Ah)	1,74 kg	1,79 kg	1,79 kg
Paino EPTA-menettelyn 01/2014 mukaan (5,0 Ah)	2,02 kg	2,07 kg	2,07 kg
Suosittelut ympäristön lämpötila työn aikana		-18, +50 °C	
Suosittelut akkutyytit		M18B, M18HB	
Suosittelut latauslaitteet		M12-18C, M12-18AC, M12-18FC, M1418C6	

Melunpäästö-tärinä tiedot

Mitta-arvot määritetty EN 60745 mukaan.

Yleensä työkalun A-luokan melutaso

Melutaso (Epävarmuus K=3dB(A)) 80 dB (A) 92 dB (A)

Äänenvoimakkuus (Epävarmuus K=3dB(A)) 91 dB (A) 103 dB (A)

Käytä kuulosuojaimia!

Värähtelyn yhteisarvot (kolmen suunnan vektorisumma) mitattuna EN 60745 mukaan.

Värähtelyemissioarvo a_h

Betonin iskuporaaminen a_{h,10} 11,85 m/s²

Epävarmuus K= 1,5 m/s²

Metallin poraaminen l a_{h,D} 1,86 m/s² 1,86 m/s²

Epävarmuus K= 1,5 m/s² 1,5 m/s²

Ruuvinvääntö a_r 2,18 m/s² 2,18 m/s²

Epävarmuus K= 1,5 m/s² 1,5 m/s²

VAROITUS

Näissä ohjeissa mainittu värähtelytaso on mitattu EN 60745 -standardin mukaisella mittausmenetelmällä ja sitä voidaan käyttää sähkötyökalujen vertaamiseen. Sitä voidaan käyttää myös värähtelyrasituksen väliaikaiseen arviointiin.

Mainittu värähtelytaso edustaa sähkötyökalun pääasiallista käyttöä. Jos sähkötyökalua kuitenkin käytetään muihin tehtäviin, poikkeavin työkaluin tai riittämättömästi huoltaan, värähtelytaso voi olla erilainen. Se voi korottaa värähtelyrasitusta koko työajan osalta.

Tarkan värähtelyrasituksen toteamiseen tulee ottaa huomioon aika, jona laite on kytketty pois tai on kylläkin päällä, mutta ei käytössä. Se voi pienentää värähtelyrasitusta koko työajan osalta.

Määrittele lisäturvatoimenpiteitä käyttäjän suojaamiseksi värinöiden vaikutukselta, kuten esimerkiksi: sähkötyökalujen ja käyttötyökalujen huolto, käsien lämpimien pitäminen, työvaihtelun organisaatio.

VAROITUS Lue kaikki turvallisuusmääräykset, ohjeet, kuvitukset ja erittelyt, jotka toimitetaan tämän sähkötyökalun mukana.

Jäljempänä annettujen ohjeiden noudattamisen laiminlyönti saattaa johtaa sähköiskuihin, tulipaloon ja/tai vakavaan loukkaantumiseen.

Säälytä kaikki turvallisuus- ja muut ohjeet tulevaisuutta varten.

VAROITUS Lue kaikki turvallisuusmääräykset, ohjeet, kuvitukset ja erittelyt, jotka toimitetaan tämän sähkötyökalun mukana.

Käytä kuulosuojaimia iskuporattaessa. Melulle altistuminen voi heikentää kuuloa.

Käytä koneen mukana toimitettua apukahvaa. Koneen hallinnan menetykset saattaa aiheuttaa henkivahinkoja.

Pitele laitetta vain eristetyistä tarttumapinnoista, kun suoritat sellaisia töitä, joissa leikkaustyökalu saattaa osua piilossa oleviin sähköjohtoihin tai omaan liitäntäjohtoon.

Leikkaustyökalun yhteys jännitteelliseen johtoon saattaa tehdä laitteen metalliset osat jännitteellisiksi ja aiheuttaa sähköiskun.

Älä koskaan käytä suurempaa kierroslukua kuin suurinta poraustyökalulle sallittua kierroslukua. Suuremmalla kierrosluvulla poraustyökalu saattaa vääntyä, jos se pyörii koskettamatta työstökappaleeseen, ja tästä voi aiheutua tapaturmia.

Aloita työskentely aina alhaisella kierrosluvulla poraustyökalun ollessa kosketuksissa työstökappaleeseen. Suuremmalla kierrosluvulla poraustyökalu saattaa vääntyä, jos se pyörii koskettamatta työstökappaleeseen, ja tästä voi aiheutua tapaturmia.

Paina poraustyökalua aina suorassa suunnassa työstökappaleeseen äläkä paina sitä liian voimakkaasti. Poraustyökalut saattavat vääntyä ja nikkoutua tai aiheuttaa laitteen hallinnan menettämisen, josta voi seurata tapaturmia.

RUUVAAJAN TURVALLISUUSOHJEET

Pitele laitteesta kiinni sen eristetyistä kahvoista suorittaessasi töitä, joiden aikana ruuvi saattaa osua piilossa oleviin sähköjohtoihin. Ruuvien kosketus jännitteelliseen johtoon saattaa tehdä laitteen metalliosat jännitteellisiksi ja aiheuttaa sähköiskun.

TÄYDENTÄVIÄ TURVALLISUUSMÄÄRÄYKSIÄ JA TYÖSKENTELYOHJEITA

Käytä suojavarusteita. Käytä aina suojalaseja käyttäessäsi konetta.

Suosittellemme suojavarusteiden käyttöä, näihin kuuluvat pölysuojanaamari, työkasineet, tukevat, luistamattomat jalkineet, kypärä ja kuulosuojukset.

Koneen käytöstä aiheutuva pöly ja jäte voi olla haitallista terveydelle eikä sen vuoksi tulisi päästä kosketukseen ihon kanssa. Koneella työskennellessä on käytettävä sopivaa suojainta.

Terveydellisiä vaaroja aiheuttavien materiaalien (esim. asbestin) työstäminen on kiellettyä.

Jos käytetty työkalu juuttuu kiinni, sammuta laite heti! Älä kytke laitetta uudelleen päälle työkalun ollessa vielä kiinni juuttuneena, koska tästä saattaa aiheutua voimakas takaisku. Selvitä työkalun juuttumisen syy ja poista syy turvallisuusmääräyksiä noudattaen.

Mahdollisia syitä voivat olla:

- työkalun vinoutuminen työstökappaleessa
- työstetyn materiaalin puhkaiseminen
- sähkötyökalun ylikuormitus

Älä tartu käynnissä olevan koneen työosiin.

Käytetty työkalu saattaa kuumeta käyön aikana.

VAROITUS! Palovamman vaara

- työkalua vaihdettaessa
- laitetta pois laskettaessa

Lastuja tai puruja ei saa poistaa koneen käydessä.

Varo seinään, kattoon tai lattiaan porattaessa osumasta sähköjohtoon, kaasu- ja vesijohtoihin.

Varmista työstökappaleesi kiinnityslaitteella paikalleen. Varmistamattomat työstökappaleet saattavat aiheuttaa vakavia vammoja ja vaurioita.

Ota akku pois ennen kaikkia koneeseen tehtäviä toimenpiteitä.

Käytettyjä vaihtoakkuja ei saa polttaa eikä poistaa normaalin jätehuollon kautta. Milwaukeella on tarjolla vanhoja vaihtoakkuja varten ympäristöystävällinen jätehuoltopalvelu.

Vaihtoakkuja ei saa säilyttää yhdessä metalliesineiden kanssa (oikosulkuvaara). Käytä ainoastaan System M18 latauslaitetta System M18 akkujen lataukseen. Älä käytä muiden järjestelmien akkuja.

Vaihtoakkuja ja latauslaitteita ei saa avata. Säilytys vain kuivissa tiloissa. Suojattava kosteudelta.

Vaurioituneesta akusta saattaa erityisen kovassa käytössä tai poikkeavassa lämpötilassa vuotaa akkuhappoa. Ihonkohta, joka on joutunut kosketukseen akkukahvon kanssa on viipymättä pestävä vedellä ja saippualla. Silmä, johon on joutunut akkuhappoa, on huuhdeltava vedellä vähintään 10 minuutin ajan, jonka jälkeen on viipymättä hakeuduttava lääkärin apuun.

KÄYTÄ AINA TUKIKAHVAA, kun käytetään akkua, jonka teho on 9,0 Ah tai suurempi; joidenkin sähkötyökalujen vääntömomentti saattaa nousta. Jos pora-ruuvinvääntimesi tai iskupora-ruuvinvääntimesi on toimitettu ilman tukikahvaa, ole hyvä ja käytä lisäosana saatavaa tukikahvaa (katso sähkötyökalun räjähdyspiirustus).

Älä pane palaa koneeseen, jos kone käy eikä katkaisinpainiketta ole lukittu. Pyörivä pala voi satuttaa käyttäjää.

Varoituis! Jotta vältetään lyhytsulun aiheuttama tulipalon, loukkaantumisen tai tuotteen vahingoittumisen vaara, älä koskaan upota työkalua, vaihtoakkua tai latauslaitetta nesteeseen ja huolehdi siitä, ettei mitään nesteitä pääse tunkeutumaan laitteiden tai akkujen sisään. Syövyttävät tai sähköä johtavat nesteet, kuten suolavesi, tietyt kemikaalit ja lalkaisuaineet tai valkaisuaineita sisältävät tuotteet voivat aiheuttaa lyhytsulun.

TARKOITUKSEN MUKAINEN KÄYTTÖ

Elektronisella akkuisukuporakoneella voi porata, iskuporata ja ruuvata ilmanverkojohtoa. Koneessa on seuraavat ominaisuudet:
Älä käytä tuotetta ohjeiden vastaisesti.

TODISTUS CE-STANDARDIN MUKAISUUDESTA

Vakuutamme yksinvastuullisesti, että kohdassa "Tekniset tiedot" kuvattu tuote vastaa kaikkia sitä koskevia direktiivien 2011/65/EU (RoHS), 2014/30/EU, 2006/42/EY määräyksiä sekä seuraavia harmonisoituja standardisoivia asiakirjoja:

EN 60745-1:2009 + A11:2010

EN 60745-2-1:2010

EN 60745-2-2:2010

EN 55014-1:2017

EN 55014-2:2015

EN 50581:2012

Winnenden, 2018-04-30

Alexander Krug
Managing Director
Valtuutettu kokoamaan tekniset dokumentit.
Techtronic Industries GmbH
Max-Eyth-Strasse 10
71364 Winnenden
Germany



AKKU

Pitkään käyttämättä olleet vaihtoakut on ladattava ennen käyttöä.

Yli 50°C lämpötilassa akun suorituskyky heikkenee. Vältäthän akkujen säilyttämistä auringossa tai kuumissa tiloissa.

Pidä aina latauslaitteen ja akun kosketuspinnat puhtaina.

Akut on ladattava täyteen käytön jälkeen optimaalisen eliniän säilyttämiseksi. Mahdollisimman pitkän elinajan takaamiseksi akut tulee poistaa laturista lataamisen jälkeen.

Akkuja yli 30 päivää säilytettyinä:

Säilytä akku yli 27 °C:ssä ja kuivassa.

Säilytä akku sen latauksen ollessa 30 % - 50 %.

Lataa akku 6 kuukauden välein uudelleen.

AKUN YLIKUORMITUSSUOJAUS

Jos akku ylikuormittuu erittäin suuren virrankulutuksen vuoksi, esim. erittäin suurten vääntömomenttien, poran terän kiinnijuttumisen, äkillisen pysähtymisen tai lyhytsulun vuoksi, niin sähkötyökalu surisee 2 sekunnin ajan ja sammuu sitten omatoimisesti.

Käynnistä laite uudelleen päästämällä katkaisinpainike irti ja kytkemällä se sitten uudelleen.

Erittäin suuressa kuormituksessa saattaa akku kuumeta liikaa. Tässä

tapauksessa akku kytkeytyy pois.

Työnän akku sitten latauslaitteeseen ja lataa se jälleen, jotta se aktivoituu.

LITIUM-IONIAKKUJEN KULJETTAMINEN

Litium-ioniakut kuuluvat vaarallisten aineiden kuljetuksesta annettujen lakien piiriin.

Näiden akkujen kuljettaminen täytyy suorittaa noudattaen paikallisia, kansallisia ja kansainvälisiä määräyksiä ja säädöksiä.

- Kuluttajat saavat ilman muuta kuljettaa näitä akkuja teitä pitkin.
- Kaupallisessa kuljetuksessa huolintaliikkeiden täytyy kuljettaa litium-ioniakkuja vaarallisten aineiden kuljetuksesta annettujen määräysten mukaisesti. Ainoastaan tähän vastaavasti koulutetut henkilöt saavat suorittaa kuljetuksen valmistelutoimet ja itse kuljetuksen. Koko prosessia tulee valvoa asiantuntevasti.

Seuraavat kohdat tulee huomioida akkuja kuljetettaessa:

- Varmista, että akkujen kontaktit on suojattu ja eristetty, jotta vältetään lyhytsulut.
- Huolehdi siitä, ettei akkusarja voi luiskahtaa paikaltaan pakkauksen sisällä.
- Vahingoittuneita tai vuotavia akkuja ei saa kuljettaa.

Pyydä tarkemmat tiedot huolintaliikkeeltäsi.

HUOLTO

Käytä ainoastaan Milwaukee lisätarvikkeita ja Milwaukee varaosia. Mikäli jokin komponentti, jota ei ole kuvailtu, tarvitsee vaihtoa ota yhteys johonkin Milwaukee palvelupisteistä (kts. listamme takuuhuoltoilikkeiden/ palvelupisteiden osoitteista). Tarvittaessa voit pyytää laitteen räjähdyspiirustuksen ilmoittaan koneyyppin ja tyyppikivessä olevan kuusinumeroisen luvun huoltopalvelustasi tai suoraan osoitteella Techtronic Industries GmbH, Max-Eyth-Strasse 10, 71364 Winnenden, Saksa.

SYMBOLIT

	HUOMIO! VAROITUS! VAARA!
	Ota akku pois ennen kaikkia koneeseen tehtäviä toimenpiteitä.
	Lue käyttöohjeet huolellisesti, ennen koneen käynnistämistä.
	Sähkölaitteita, paristoja/akkuja ei saa hävittää yhdessä kotitalousjätteen kanssa. Sähkölaitteet ja akut tulee kerätä erikseen ja toimittaa kierrätysliikkeeseen ympäristöystävällistä hävittämistä varten. Pyydä paikallisilta viranomaisilta tai alan kauppiailtasi tarkemmat tiedot kierrätyspisteistä ja keräyspaikoista.
	Kuormittamaton kierrosloku
	Jännite AC
	Tasavirta
	Euroopan säännönmukaisuusmerkki
	Ukrainan säännönmukaisuusmerkki
	Euraasian säännönmukaisuusmerkki

ΤΕΧΝΙΚΑ ΣΤΟΙΧΕΙΑ	ΚΡΟΥΣΤΙΚΟ ΔΡΑΠΑΝΟΚΑΤΖΑΒΙΔΟ ΜΠΑΤΑΡΙΑΣ	M18 BLDD2	M18 BLPD2
Αριθμός παραγωγής		4691 61 01	4691 72 01
		..000001-999999	..000001-999999
Ø τρύπας σε χάλυβα		13 mm	13 mm
Ø τρύπας σε ξύλο			
με επίπεδες ασκήσεις φρεζαρίσματος*		32 mm	32 mm
με ελικοειδείς τρυπάνι		26 mm	26 mm
με ποτηροτρίπανο		89 mm	89 mm
με αριδα ξύλου		65 mm	65 mm
Ø τρύπας σε τούβλο και ασβεστόλιθο			16 mm
Ξυλόβιδες (χωρίς προβιδήτση)		6 mm	6 mm
Αριθμός στροφών χωρίς φορτίο στην 1η ταχύτητα		0-550 min ⁻¹	0-550 min ⁻¹
Αριθμός στροφών χωρίς φορτίο στη 2η ταχύτητα		0-1800 min ⁻¹	0-1800 min ⁻¹
Μέγιστος αριθμός κρούσεων 1η ταχύτητα		min ⁻¹	0-8800 min ⁻¹
Μέγιστος αριθμός κρούσεων 2η ταχύτητα		min ⁻¹	0-28800 min ⁻¹
Ροπή στρέψης (5,0 Ah)		82 Nm	82 Nm
Τάση ανταλλακτικής μπαταρίας		18 V	18 V
Περιοχή σύσφιξης του τσοκ		1,5-13 mm	1,5-13 mm
Βάρος σύμφωνα με τη διαδικασία EPTA 01/2014 (2,0 Ah)		1,74 kg	1,79 kg
Βάρος σύμφωνα με τη διαδικασία EPTA 01/2014 (5,0 Ah)		2,02 kg	2,07 kg
Συνιστώμενη θερμοκρασία περιβάλλοντος κατά την εργασία			-18...+50 °C
Συνιστώμενοι τύποι συσσωρευτών			M18B...M18HB
Συνιστώμενες συσκευές φόρτισης		M12-18C, M12-18AC, M12-18FC, M1418C6	

Πληροφορίες θορύβου/δονήσεων

Τιμές μέτρησης εξακριβωμένες κατά EN 60745.

Τυπική Α αξιολογημένη στάθμη θορύβου:

Στάθμη ηχητικής πίεσης (Ανασφάλεια K=3dB(A))	80 dB (A)	92 dB (A)
Στάθμη ηχητικής ισχύος (Ανασφάλεια K=3dB(A))	91 dB (A)	103 dB (A)

Φοράτε προστασία ακοής (ωτοσπίδες)!

Υλικές τιμές κραδασμών (άθροισμα διανυσμάτων τριών διευθύνσεων) εξακριβώθηκαν σύμφωνα με τα πρότυπα EN 60745.

Τιμή εκπομπής δονήσεων a_h

Κρουστικό τρυπάνι σε μπετόν a _{h,IB}		11,85 m/s ²
Ανασφάλεια K=		1,5 m/s ²
Τρύπες σε μέταλλο l a _{h,IB}	1,86 m/s ²	1,86 m/s ²
Ανασφάλεια K=	1,5 m/s ²	1,5 m/s ²
Βίδωμα a _h	2,18 m/s ²	2,18 m/s ²
Ανασφάλεια K=	1,5 m/s ²	1,5 m/s ²

ΠΡΟΕΙΔΟΠΟΙΗΣΗ

Το αναφερόμενο σ' αυτές τις οδηγίες επίπεδο δονήσεων έχει μετρηθεί με μια τυποποιημένη σύμφωνα με το EN 60745 μέθοδο μέτρησης και μπορεί να χρησιμοποιηθεί για τη σύγκριση των ηλεκτρικών εργαλείων μεταξύ τους. Αυτό είναι επίσης κατάλληλο για μια προσωρινή εκτίμηση της επιβάρυνσης των δονήσεων.

Το αναφερόμενο επίπεδο δονήσεων αντιπροσωπεύει τις κύριες χρήσεις του ηλεκτρικού εργαλείου. Εάν όμως το ηλεκτρικό χρησιμοποιείται σε άλλες χρήσεις, με διαφορετικά εργαλεία εφαρμογής ή ανεπαρκή συντήρηση, μπορεί να υπάρξει απόκλιση του επιπέδου δονήσεων. Αυτό μπορεί να αυξήσει σημαντικά την επιβάρυνση των δονήσεων για τη συνολική διάρκεια της εργασίας.

Για μια ακριβή εκτίμηση της επιβάρυνσης των δονήσεων οφείλουν επίσης να λαμβάνονται υπόψη οι χρόνοι, στους οποίους η συσκευή είναι απενεργοποιημένη ή είναι μεν ενεργοποιημένη αλλά δεν χρησιμοποιείται πραγματικά. Αυτό μπορεί να μειώσει σημαντικά την επιβάρυνση των δονήσεων για τη συνολική διάρκεια της εργασίας.

Καθορίστε πρόσθετα μέτρα ασφαλείας για την προστασία του χειριστή από την επίδραση των δονήσεων όπως για παράδειγμα: Συντήρηση του ηλεκτρικού εργαλείου και των εργαλείων εφαρμογής, διαπρέψτε ζεστά τα χέρια, οργάνωση των διαδικασιών εργασίας.

⚠ ΠΡΟΕΙΔΟΠΟΙΗΣΗ! Διαβάστε όλες τις προειδοποιητικές υποδείξεις, οδηγίες, περιγραφές και προδιαγραφές γι' αυτό το ηλεκτρικό εργαλείο. Αμέλειες κατά την τήρηση των προειδοποιητικών υποδείξεων μπορεί να προκαλέσουν ηλεκτροπληξία, κίνδυνο πυρκαγιάς ή και σοβαρούς τραυματισμούς.
Φυλάξτε όλες τις προειδοποιητικές υποδείξεις και οδηγίες για κάθε μελλοντική χρήση.

⚠ ΥΠΟΔΕΙΞΕΙΣ ΑΣΦΑΛΕΙΑΣ ΓΙΑ ΔΡΑΠΑΝΑ

Κατά την κρουστική διάτρηση φοράτε ωτοσπίδες. Η επίδραση του θορύβου μπορεί να προκαλέσει απώλεια ακοής.

Χρησιμοποιείτε με τη συσκευή τις προμηθευόμενες πρόσθετες χειρολαβές. Η απώλεια ελέγχου μπορεί να οδηγήσει σε τραυματισμό.

Να πιάνετε τη συσκευή στις μονωμένες χειρολαβές όταν εκτελείτε εργασίες κατά τις οποίες τα κοπτικά εργαλεία θα μπορούσαν να πέσουν επάνω σε κρυμμένα καλώδια ρεύματος ή στο δικό της καλώδιο.

Η επαφή των κοπτικών εργαλείων με αγωγό τροφοδοσίας τάσης μπορεί να θέσει τα μεταλλικά τμήματα της συσκευής υπ' όταση και να προκαλέσει ηλεκτροπληξία.

Μη χρησιμοποιείτε ποτέ ένα υψηλότερο αριθμό στροφών από τον ανώτατο αριθμό στροφών που ενδείκνυται για το τρυπάνι. Με υψηλότερο αριθμό στροφών μπορεί να λυγίσει το τρυπάνι κατά την περιστροφή άνευ επαφής στο καταγεγραμμένο τεμάχιο* πράγμα που μπορεί να οδηγήσει σε τραυματισμούς.

Να ξεκινάτε πάντα με χαμηλό αριθμό στροφών κι όταν εφάπτεται το τρυπάνι στο καταγεγραμμένο τεμάχιο. Με υψηλότερο αριθμό στροφών μπορεί να λυγίσει το τρυπάνι κατά την περιστροφή άνευ επαφής στο καταγεγραμμένο τεμάχιο* πράγμα που μπορεί να οδηγήσει σε τραυματισμούς.

Να ασκείτε πίεση μόνο σε πλήρη ευθυγράμμιση με το τρυπάνι και να μην πιέζετε υπερβολικά. Στελέγη τρυπανιών θα μπορούσαν να λυγίσουν και να σπάσουν ή να οδηγήσουν σε απώλεια του ελέγχου του εργαλείου, με αποτέλεσμα να προκληθούν τραυματισμοί.

⚠ ΥΠΟΔΕΙΞΕΙΣ ΑΣΦΑΛΕΙΑΣ ΓΙΑ ΚΑΤΖΑΒΙΔΙΑ

Κρατάτε τη συσκευή από τις μονωμένες επιφάνειες συγκράτησης, όταν εκτελείτε εργασίες, στις οποίες η βίδα θα μπορούσε να έρθει σε επαφή με κρυστάλλους αγωγούς ρεύματος. Η επαφή της βίδας μ' ένα ηλεκτροφόρο καλώδιο μπορεί να προκαλέσει τη μεταφορά ρεύματος στα μεταλλικά εξαρτήματα της συσκευής και να οδηγήσει σε ηλεκτροπληξία.

ΠΕΡΑΙΤΕΡΟ ΟΔΗΓΙΕΣ ΑΣΦΑΛΕΙΑΣ ΚΑΙ ΧΡΗΣΕΩΣ

Χρησιμοποιείτε προστατευτικό εξοπλισμό. Κατά την εργασία με τη μηχανή φοράτε πάντα προστατευτικά γυαλιά. Συνιστούμε επίσης προστατευτική ενδυμασία όπως επίσης μάσκα προστασίας αναπνοής, προστατευτικά γάντια, σταθερά και ασφαλή στην ολισθήση υποδήματα, κράνος και ωτοσπίδες.

Η σκόνη που δημιουργείται κατά την εργασία είναι συχνά επιβλαβής για την υγεία και δεν επιτρέπεται να έλθει στο σώμα. Να φοράτε κατάλληλη μάσκα προστασίας από σκόνη. Μην επεξεργάζεστε επικίνδυνα για την υγεία υλικά (π.χ. αμιάντος).

Σε περίπτωση μπλοκαρίσματος της αριδας απενεργοποιείτε αμέσως τη συσκευή! Μην ενεργοποιείτε εκ νέου τη συσκευή όσο η αριδα είναι μπλοκαρισμένη. Σ' αυτή τη περίπτωση θα μπορούσε να προκύψει υψηλή ροπή αντίδρασης. Βρείτε την αιτία του μπλοκαρίσματος της αριδας και ξεμπλοκαρίστε την λαμβάνοντας υπόψη τις οδηγίες ασφαλείας.

Πιθανές αιτίες:

- Η αριδα μάγκικε με το προς καταργασία κομμάτι.
- Στάσιμο του προς καταργασία υλικού.
- Υπερφόρτωση του ηλεκτρικού εργαλείου.

Μην απλώνετε τα χέρια σας στην επικίνδυνη περιοχή της μηχανής όταν είναι σε λειτουργία. Η θερμοκρασία της αριδας μπορεί να φτάσει σε υψηλά επίπεδα κατά τη λειτουργία.

ΠΡΟΕΙΔΟΠΟΙΗΣΗ! Κίνδυνος εγκαυμάτων

- κατά την αλλαγή εργαλείου (αριδας)
- κατά την απόθεση της συσκευής

Τα γρέζια ή οι σκληρές δεν επιτρέπεται να απομακρύνονται όσο η μηχανή βρίσκεται σε λειτουργία.

Κατά τις εργασίες σε τοίχο, οροφή ή δάπεδο προσέχετε για τυχόν ηλεκτρικά καλώδια και για σκληρές αέρια και νερού.

Ασφαλίστε το προς κατεργασία κομμάτι στη μέγερη ή με μια άλλη διάταξη στερέωσης. Μη ασφαλίστε προς κατεργασία κομμάτια μπορεί να προκαλέσουν σοβαρούς τραυματισμούς και ζημιές.

Πριν από κάθε εργασία στη μηχανή αφαιρέτε την ανταλλακτική μπαταρία.

Μην πετάτε τις χρησιμοποιημένες ανταλλακτικές μπαταρίες στη φωτιά ή στα οικιακά απορρίμματα. Η Milwaukee προσφέρει μια απόσυρση των παλιών ανταλλακτικών μπαταριών σύμφωνα με τους κανόνες προστασίας του περιβάλλοντος, ρυθίστε παρακαλώ σχετικά στο ειδικό κατάστημα πώλησης.

Μην αποθηκεύετε τις ανταλλακτικές μπαταρίες μαζί με μεταλλικά αντικείμενα (κίνδυνος βραχυκυκλώματος).

Φορτίστε τις ανταλλακτικές μπαταρίες του συστήματος M18 μόνο με φορτιστές του συστήματος M18. Μη φορτίστε μπαταρίες από άλλα συστήματα.

Μην ανοίγετε τις ανταλλακτικές μπαταρίες και τους φορτιστές και χρησιμοποιείτε για αποθήκευση μόνο στεγνό χώρο. Προστατεύετε τις ανταλλακτικές μπαταρίες και τους φορτιστές από την υγρασία.

Όταν υπάρχει υπερβολική κατάσταση ή υψηλή θερμοκρασία μπορεί να τρέξει υγρό μπαταρίας από τις χαλασμένες επαναφορτιζόμενες μπαταρίες. Αν έρθετε σε επαφή με υγρό μπαταρίας να πλυθείτε αμέσως με νερό και σαπούνι. Σε περίπτωση επαφής με τα μάτια να πλυθείτε σχολαστικά για τουλάχιστον 10 λεπτά και να αναζητήσετε αμέσως ένα γιατρό. ΧΡΗΣΙΜΟΠΟΙΕΙΤΕ ΠΑΝΤΑ ΜΙΑ ΕΠΙΠΡΟΣΘΕΤΗ ΧΕΙΡΟΛΑΒΗ, όταν χρησιμοποιείτε ένα συσσωρευτή με μια χωρητικότητα 9,0Ah ή υψηλότερη ή ροπή στρέψης μερικών ηλεκτρικών εργαλείων μπορεί να αυξάνεται. Εάν παραδόθηκε το δραπανοκατάρτιδο ή το κρουστικό δραπανοκατάρτιδο σας δίχως επιπρόσθετη χειρολαβή, τότε σας παρακαλούμε να χρησιμοποιείτε το εξάρτημα της επιπρόσθετης χειρολαβής (βλέπε διευρυμένη άποψη του ηλεκτρικού εργαλείου).

Μην τοποθετείτε μύτες, όταν το μηχανάκι λειτουργεί και η σκανδάλη δεν είναι ασφαλισμένη. Η περιτρεφόμενη μύτη μπορεί να τραυματίσει το χρήστη.

Προειδοποίηση! Για να αποτρέπεται τον κίνδυνο πυρκαγιάς λόγω βραχυκυκλώματος, τραυματισμούς ή ζημιές του προϊόντος, να μη βυθίζετε το εργαλείο, τον ανταλλακτικό συσσωρευτή ή τη συσκευή φόρτισης σε υγρά και να φορτίζετε, ώστε να μη διεισδύουν υγρά στις συσκευές και τους συσσωρευτές. Διαβρωτικές ή αγνώριμες υγρές ουσίες, όπως αλατόνερο, ορισμένες χημικές ουσίες και λευκαντικά ή προϊόντα που περιέχουν λευκαντικά, μπορεί να προκαλέσουν βραχυκύκλωμα.

ΧΡΗΣΗ ΣΥΜΦΩΝΑ ΜΕ ΤΟ ΣΚΟΠΟ ΠΡΟΟΡΙΣΜΟΥ

Το ηλεκτρονικό κρουστικό δραπανοκατάρτιδο μπαταρίας μπορεί να χρησιμοποιηθεί γενικά για τρύπημα, τρύπημα με κρούση και βίδαμα ανεξάρτητα από μια σύνδεση στο ηλεκτρικό δίκτυο.

Αυτή η συσκευή επιτρέπεται να χρησιμοποιηθεί μόνο σύμφωνα με τον αναφερόμενο σκοπό προορισμού.

ΔΗΛΩΣΗ ΠΙΣΤΟΤΗΤΑΣ ΕΚ

Δηλώνουμε υπεύθυνα ότι το προϊόν που περιγράφεται στο κεφάλαιο «Τεχνικά χαρακτηριστικά» είναι συμβατό με τις διατάξεις της Κοινοτικής Οδηγίας 2011/65/EU (RoHS), 2014/30/EU, 2006/42/ΕΚ και με τα ακόλουθα εναρμονισμένα κανονιστικά έγγραφα:

EN 60745-1:2009 + A11:2010

EN 60745-2-1:2010

EN 60745-2-2:2010

EN 55014-1:2017

EN 55014-2:2015

EN 50581:2012

Winnenden, 2018-04-30

Alexander Krug
Managing Director

Εξουσιοδοτημένος να συντάξει τον τεχνικό φάκελο.

Techtronic Industries GmbH

Max-Eyth-Straße 10

71364 Winnenden

Germany



ΜΠΑΤΑΡΙΣΣΕ

Επαναφορτίστε τις ανταλλακτικές μπαταρίες που δεν έχουν χρησιμοποιηθεί για μεγαλύτερο χρονικό διάστημα πριν τη χρήση.

Μια θερμοκρασία πάνω από 50°C μειώνει την ισχύ της ανταλλακτικής μπαταρίας.

Αποφύγετε τη θέρμανση για μεγαλύτερο χρονικό διάστημα από τον ήλιο ή τις συσκευές θέρμανσης.

Διατηρείτε τις επαφές σύνδεσης στο φορτιστή και στην ανταλλακτική μπαταρία καθαρές.

Για μια άριστη διάρκεια ζωής πρέπει μετά τη χρήση οι μπαταρίες να φορτιστούν πλήρως.

Για μια κατά το δυνατόν μεγάλη διάρκεια ζωής οι μπαταρίες μετά τη φόρτιση οφείλουν να αφαιρεθούν από το φορτιστή.

Για την αποθήκευση της μπαταρίας για διάστημα μεγαλύτερο των 30 ημερών:

Αποθηκεύετε τη μπαταρία περ. στους 27°C σε στεγνό χώρο.

Αποθηκεύετε τη μπαταρία περ. στο 30%-50% της κατάστασης φόρτισης.

Κάθε 6 μήνες φορτίζετε εκ νέου τη μπαταρία.

ΠΡΟΤΑΣΙΑ ΥΠΕΡΦΟΡΤΩΣΗΣ ΤΗΣ ΜΠΑΤΑΡΙΑΣ

Σε υπερφόρτωση της μπαταρίας από πολύ υψηλή κατανάλωση ρεύματος, π. χ. από ακραίες υψηλές ροπές περιστροφής, μπλοκάρισμα του τρυπανιού, ξαφνικό σπασί ή βραχυκύκλωμα, δονείται το ηλεκτρικό εργαλείο για 5 δευτερόλεπτα, αναβοσβήνει η ένδειξη φόρτισης και το ηλεκτρικό εργαλείο απενεργοποιείται αυτόματα.

Για μια νέα ενεργοποίηση, αφήνετε ελεύθερο το διακόπτη και στη συνέχεια ενεργοποιείτε εκ νέου.

Κάτω από ακραίες καταστάσεις θερμαίνεται πάρα πολύ η μπαταρία. Στην περίπτωση αυτή αναβοσβήνουν όλες οι λάμπες της ένδειξης φόρτισης μέχρι να έχει κρυώσει η μπαταρία. Μετά το σβήσιμο της ένδειξης φόρτισης μπορεί να συνεχιστεί η συνεργασία.

ΜΕΤΑΦΟΡΑ ΤΩΝ ΜΠΑΤΑΡΙΑΩΝ ΙΩΝΤΩΝ ΛΙΘΙΟΥ

Οι μπαταρίες ιόντων λιθίου υπόκεινται στις απαιτήσεις των νομικών διατάξεων για την μεταφορά επικινδύνων εμπορευμάτων.

Η μεταφορά τέτοιων μπαταριών πρέπει να πραγματοποιείται τρώνώντας τους τοπικούς, εθνικούς και διεθνείς κανονισμούς και τις αντίστοιχες διατάξεις.

- Επιτρέπεται η μεταφορά τέτοιων μπαταριών στο δρόμο χωρίς περαιτέρω απαιτήσεις.
- Η εμπορική μεταφορά μπαταριών ιόντων λιθίου από εταιρείες μεταφορών υπόκειται στις απαιτήσεις των νομικών διατάξεων για την μεταφορά επικινδύνων εμπορευμάτων. Οι προετοιμασίες αποστολής και η μεταφορά πραγματοποιούνται αποκλειστικά από ειδικά εκπαιδευμένα πρόσωπα. Η συνολική διαδικασία συνοδεύεται από εξειδικευμένο προσωπικό.

Κατά τη μεταφορά μπαταριών ιόντων λιθίου πρέπει να προσέχετε τα εξής:

- Φροντίζετε τα σημεία επαφών να είναι προστατευμένα και μονωμένα ώστε να αποφευχθούν βραχυκυκλώματα.
- Προσέξτε το πακέτο μπαταριών να είναι σταθερό μέσα στη συσκευασία και να μη γλιστρά.
- Η μεταφορά μπαταριών που παρουσιάζουν φθορές ή διαρροές δεν επιτρέπεται.

Για περισσότερες πληροφορίες απευθυνθείτε στην εταιρεία μεταφορών.

ΣΥΝΤΗΡΗΣΗ

Χρησιμοποιείτε μόνο πρόσθ. εξαρτήματα Milwaukee και ανταλλακτικά Milwaukee. Κατασκ. τμήματα, που η αλλαγή τους δεν περιγράφεται, αντικαθιστώνται σε μια τεχνική υποστήριξη της Milwaukee (βλέπε φυλλάδιο εγγύηση/ διευθύνσεις τεχνικής υποστήριξης).

Σε περίπτωση που το χρεαστείτε μπορείτε να παραγγείλετε λεπτομερές σχέδιο της συσκευής αναφέροντας τον τύπο και τον εξωφύλιο αριθμό που βρίσκεται στην πινακίδα τεχνικών χαρακτηριστικών από την εξυπηρέτηση πελατών ή απευθείας από την Techtronic Industries GmbH, διεύθυνση Max-Eyth-Straße 10, 71364 Winnenden, Germany.

ΣΥΜΒΟΛΑ



ΠΡΟΣΟΧΗ! ΠΡΟΕΙΔΟΠΟΙΗΣΗ! ΚΙΝΔΥΝΟΣ!



Πριν από κάθε εργασία στη μηχανή αφαιρέτε την ανταλλακτική μπαταρία.



Παρακαλώ διαβάστε σχολαστικά τις οδηγίες χρήσης πριν από την έναρξη λειτουργίας.



Ηλεκτρικά μηχανήματα, μπαταρίες/συσσωρευτές δεν επιτρέπεται να απορρίπτονται μαζί με τα οικιακά απορρίμματα. Ηλεκτρικά μηχανήματα και συσσωρευτές συλλέγονται ξεχωριστά και παραδίδονται προς ανακύκλωση με τρόπο φιλικό προς το περιβάλλον σε επιχείρηση επεξεργασίας απορριμμάτων. Ενημερωθείτε από τις τοπικές υπηρεσίες ή από ειδικευμένους εμπόρους σχετικά με κέντρα ανακύκλωσης και συλλογής απορριμμάτων.



Αριθμός στροφών χωρίς φορτίο



Bolt AC



Συνεχές ρεύμα



Ευρωπαϊκό σήμα πιστότητας



Ουκρανικό σήμα πιστότητας

Ευρασιατικό σήμα πιστότητας

TEKNİK VERİLER	VURMALI AKÜ MATKAP VIDASI	M18 BLDD2	M18 BLPD2
Üretim numarası	4691 61 01...	4691 72 01...	4691 72 01...
	..000001-999999	..000001-999999	..000001-999999
Delme çapı çelikte	13 mm	13 mm	13 mm
Delme çapı tahta			
flat bit uçlu.....	32 mm	32 mm	32 mm
burgulu matkap uçlu.....	26 mm	26 mm	26 mm
delik testere uçlu.....	89 mm	89 mm	89 mm
kendiliğinden içeri çekilen matkap uçlu.....	65 mm	65 mm	65 mm
Delme çapı tuğla ve kireçli kum taşı	16 mm	16 mm	16 mm
Ağaç vidaları (kılavuz deliksiz)	6 mm	6 mm	6 mm
Boştaki devir sayısı 1. vites.....	0-550 min ⁻¹	0-550 min ⁻¹	0-550 min ⁻¹
Boştaki devir sayısı 2. vites	0-1800 min ⁻¹	0-1800 min ⁻¹	0-1800 min ⁻¹
Maksimum darbe sayısı 1. vites.....	- min ⁻¹	0-8800 min ⁻¹	0-8800 min ⁻¹
Maksimum darbe sayısı 2. vites	- min ⁻¹	0-28800 min ⁻¹	0-28800 min ⁻¹
Tork (5,0 Ah)	82 Nm	82 Nm	82 Nm
Kartuş akü gerilimi	18 V	18 V	18 V
Mandren kapasitesi	1,5-13 mm	1,5-13 mm	1,5-13 mm
Ağırlığı ise EPTA-üretici 01/2014'e göre (2,0 Ah)	1,74 kg	1,79 kg	1,79 kg
Ağırlığı ise EPTA-üretici 01/2014'e göre (5,0 Ah)	2,02 kg	2,07 kg	2,07 kg
Çalışma sırasında tavsiye edilen ortam sıcaklığı		-18...+50 °C	
Tavsiye edilen akü tipleri.....		M18B...M18HB	
Tavsiye edilen şarj aletleri.....		M12-18C, M12-18AC, M12-18FC, M1418C6	

Gürültü/Vibrasyon bilgileri

Ölçüm değerleri EN 60745'e göre belirlenmektedir.

Aletin A değerlendirmeli gürültü seviyesi tipik olarak şu değerdedir:

Ses basıncı seviyesi (Tolerans K=3dB(A)).....	80 dB (A)	92 dB (A)
Akustik kapasite seviyesi (Tolerans K=3dB(A)).....	91 dB (A)	103 dB (A)

Koruyucu kulaklık kullanılması

Toplam titreşim değeri (üç yönün vektör toplamı) EN 60745'e göre belirlenmektedir:

titreşim emisyon değeri a_w

Darbeli beton delme a _{wD}	11,85 m/s ²	11,85 m/s ²
Tolerans K=.....	1,5 m/s ²	1,5 m/s ²
Metal delme l a _{wD}	1,86 m/s ²	1,86 m/s ²
Tolerans K=.....	1,5 m/s ²	1,5 m/s ²
Vida ile tutturma a _w	2,18 m/s ²	2,18 m/s ²
Tolerans K=.....	1,5 m/s ²	1,5 m/s ²

UYARI

Bu talimatlarda belirtilen titreşim seviyesi, EN 60745 standardına uygun bir ölçme metodu ile ölçülmüştür ve elektrikli el aletleri birbiriyle karşılaştırmak için kullanılabilir. Ölçüm sonuçları ayrıca titreşim yükünün geçici değerlendirilmesi için de uygundur.

Belirtilen titreşim seviyesi, elektrikli el aletinin genel uygulamaları için geçerlidir. Ancak elektrikli el aleti başka uygulamalar için, farklı eklenti parçalarıyla ya da yetersiz bakım koşullarında kullanılırsa, titreşim seviyesi farklılık gösterebilir. Bu durumda, titreşim yükü toplam çalışma zamanı aralığı içerisinde belirgin ölçüde yükselebilir.

Titreşim yükünün tam bir değerlendirilmesi için ayrıca cihazın kapalı olduğu süreler ve cihazın çalışır durumda olduğu, ancak gerçek kullanımda bulunmadığı süreler de dikkate alınmalıdır. Böylelikle, toplam çalışma zamanı aralığı boyunca meydana gelen titreşim yükü belirgin ölçüde azaltılabilir.

Kullanıcıyı titreşimlerin etkisinden korumak üzere, örnek elektrikli el aletlerinin ve eklenti parçalarının bakımı, ellerin sıcak tutulması ve iş akışlarının organizasyonu gibi ek güvenlik tedbirleri belirleyiniz.

⚠ UYARI! Bu elektrikli el aletle ilgili bütün uyarıları, talimat hükümlerini, gösterimleri ve spesifikasyonları okuyun. Aşağıda açıklanan talimat hükümlerine uymadığınız takdirde elektrik çarpmalarına, yangınlara ve/veya ağır yaralanmalara neden olabilir.

Bütün uyarıları ve talimat hükümlerini ileride kullanmak üzere saklayın.

⚠ MATKAP MAKİNELERİ İÇİN GÜVENLİK AÇIKLAMALARI

Temel matkap olarak işitme için koruma cihazı taşıyınız. Gürültü etkisi işitme kaybını etkiler.

Aletle birlikte teslim edilen ek tutamakları kullanın. Aletin kontrolden çıkması kazalara neden olabilir.

Kesme aletinin eğrilmiş elektrik kabloları veya kendi kablosuna isabet eden çalışmalar yapılırken cihazı izole edilmiş kollarından tutun.

Kesme aletinin içinden elektrik akımı geçen kablo ile temas etmesi durumunda elektrik akımı cihazın metal kısımlarına geçer ve elektrik çarpmasına sebebiyet verebilir.

Asla matkap ucu için belirtilen maksimum devirden daha yüksek devirler kullanmayınız. Daha yüksek devirlerde matkap ucu, iş parçasına temas etmeden döndüğünde eğilebilir ve bu da yaralanmalara neden olabilir.

Matkap ucu iş parçasına temas ettiğinde daima düşük bir devirle başlayınız. Daha yüksek devirlerde matkap ucu, iş parçasına temas etmeden döndüğünde eğilebilir ve bu da yaralanmalara neden olabilir.

Daima sadece doğrudan matkap ucunun yönüne doğru basınç uygulayınız ve fazla sıkı bastırmayınız. Matkap uçları bükülebilir ve kırılabilir veya cihazın kontrolünün kaybedilmesine neden olabilirler. Bu da yaralanmalara sebebiyet verebilir.

⚠ TORNAVIDALAR İÇİN GÜVENLİK AÇIKLAMASI

Vidayı bükün ve elektrik hattına maruz kalabilen çalışmalar yaparken cihazın izole edilmiş bulunan tutacak kollarından tutun. Voltaj altında kalan vida ile temas edilmesi, metal cihaz parçalarına elektrik akımı verebilir ve bu da elektrik çarpmasına neden olur.

EK GÜVENLİK VE ÇALIŞMA TALİMATLARI

Koruma teçhizatı kullanın.Makinada çalışırken devamlı surette koruyucu gözlük takın. Koruyucu elbise ve tozlardan korunma maskesi, emniyet eldivenleri ve sağlam ve kaymaya mukavim ayakkabı giyin. Başlık ve kulaklık tavsiye edilir.

Çalışma sırasında ortaya çıkan toz genellikle sağlığa zararlıdır ve bedeninize temas etmemelidir. Uygun bir koruyucu toz maskesi kullanın

Sağlık tehlikelerine neden olan malzemelerin işlenmesi yasaktır (örn. asbest).

Uca yerleştirilen takımın bloke olması halinde lüften cihazı hemen kapatın! Uca yerleştirilen takım bloke olduğu sürece cihazı tekrar çalıştırmayın; bu sırada yüksek reaksiyon momentine sahip bir geri tepme meydana gelebilir. Uca yerleştirilen takımın neden bloke olduğuna bakın ve bu durumu güvenlik uyarılarına dikkat ederek gidin.

Olasi nedenler şunlar olabilir:

- İşlenen parça içinde takılma

- İşlenen malzemenin delinmesi

- Elektrikli alete aşırı yük binmesi

Ellerinizi çalışmakta olan makinenin içine uzatmayın.

Uca yerleştirilen takım kullanım sırasında ısınabilir.

UYARI! Yanma tehlikesi

- takım değişirme sırasında

- aletin yere bırakılması sırasında

Alet çalışır durumda iken talaş ve kırpıntıları temizlemeye çalışmayın. Duvar, tavan ve zeminde delik açarken elektrik kablolarına, gaz ve su borularına dikkat edin.

İşlenen parçayı bir germe tertibatıyla emniyete alın. Emniyete alınmayan iş parçaları ağır yaralanmalar ve hasarlara neden olabilir.

Aletin kendinde bir çalışma yapmadan önce kartuş aküyü çıkarın.

Kullanılmış kartuş aküleri ateşe veya ev çöplerine atmayın. Milwaukee, kartuş akülerin çevreye zarar vermeyecek biçimde taşıyılmasına olanak sağlayan hizmet sunar; lütfen bu konuda yetkili satıcınıza bilgi alın.

Kartuş aküleri metal parça veya eşyalarla birlikte saklamayın (kısa devre tehlikesi).

M18 sistemli kartuş aküleri sadece M18 sistemli şarj cihazları ile şarj edin.

Başka sistemli aküleri şarj etmeyin.

Kartuş aküleri ve şarj cihazını açmayın ve sadece kuru yerlerde saklayın. Neme ve ıslanmaya karşı koruyun.

Aşırı zorlanma veya aşırı ısınma sonucu hasar gören kartuş akülerden batarya sıvısı dışarı akabilir. Batarya sıvısı ile temasa gelen yeri hemen bol su ve sabunla yıkayın. Batarya sıvısı gözünüze kaçacak olursa en azından 10 dakika yıkayın ve zaman geçirmeden bir hekime başvurun.

Kapasitesi 9,0 Ah veya daha yüksek olan bir akü kullanıldığında DAİMA EK BİR SAP KULLANINIZ; bazı elektrikli aletlerin torqu yükselebilir. Matkap vidalama veya darbeli matkap vidalama aletiniz yanında ek sap olmadan teslim edildiyse, lütfen yedek parça olan ek sapı kullanınız (elektrikli aletin ayrıntılı çizimine bakınız).

Makine çalışır vaziyetteyken ve basmalı düğme bloke edilmediğinde vida uçları takmayın. Dönen vida ucu kullanıcıya zarar verebilir.

Uyarı! Bir kısa devreden kaynaklanan yangın, yaralanma veya ürün hasarları tehlikesini önlemek için aleti, güç paketini veya şarj cihazını asla sıvıların içine daldırmayın ve cihazların ve pillerin içine sıvı girmesini önleyin. Tuzlu su, belirli kimyasallar, aşartıcı madde veya aşartıcı madde içeren ürünler gibi korozyif veya iletken sıvılar kısa devreye neden olabilir.

KULLANIM

Bu akülü elektronik darbeli matkap şebeke akımından bağımsız olarak delme, darbeli delme ve vidalama işlerinde çok yönlü olarak kullanılabilir. Bu alet sadece belirttiği biçim ve usullere uygun olarak kullanılabilir.

CE UYGUNLUK BEYANI

Tek sorumlu olarak "Teknik Veriler" bölümünde tarif edilen ürünün 2011/65/EU (RoHS), 2014/30/EU, 2006/42/EC sayılı direktifin ve aşağıdaki harmonize temel belgelerin bütün önemli hükümlerine uygun olduğunu beyan etmekteyiz:

EN 60745-1:2009 + A11:2010

EN 60745-2-1:2010

EN 60745-2-2:2010

EN 55014-1:2017

EN 55014-2:2015

EN 50581:2012

Winnenden, 2018-04-30

Alexander Krug

Alexander Krug
Managing Director
Teknik evrakları hazırlamakla görevlendirilmiştir.
Techtronic Industries GmbH
Max-Eyth-Straße 10
71364 Winnenden
Germany



AKÜ

Uzun süre kullanım dışı kalmış kartuş aküleri kullanmadan önce şarj edin. 50°C üzerindeki sıcaklıklar kartuş akünün performansını düşürür. Akünün güneş ışığı veya mekân sıcaklığı altında uzun süre ısınmasına dikkat edin. Şarj cihazı ve kartuş aküdeki bağlantı noktalarını temiz tutun. Akünün ömrünün mükemmel bir şekilde uzun olması için kullandıktan sonra tamamen doldurulması gerekir.

Ömrünün mümkün olduğu kadar uzun olması için akülerin yüklemeye yapıldıktan sonra doldurma cihazından uzaklaştırılması gerekir.

Akünün 30 günden daha fazla depolanması halinde:

Aküyü takriben 27°C'de kuru olarak depolayın.

Aküyü yüklemeye durumunun takriben % 30 - %50 olarak depolayın.

Aküyü her 6 ay yeniden doldurun.

AKÜNÜN AŞIRI YÜKLENMEYE KARŞI KORUNMASI

Pek fazla elektrik tüketimi yapılmak suretiyle aküye fazla yüklenildiğinde, örneğin aşırı devir momentleri, matkap sıkıştırması, aniden durma veya kısa devre, elektrikli alet 2 saniye garip sesler çıkarır ve kendiliğinden durur.

Aleti yeniden çalıştırmak için şalter baskı kolunu serbest bırakın ve bundan sonra tekrar çalıştırın. Aşırı yüklenme durumunda ise akü pek fazla ısınır. Bu

durumda akü kendiliğinden durur.

Aküyü tekrar doldurmak ve aktif hale getirmek amacı ile şarja bağlayın.

LİTYUM İYON PİLLERİN TAŞINMASI

Lityum iyon piller tehlikeli madde taşımacılığı hakkındaki yasal hükümler tabidir. Bu piller, bölgesel, ulusal ve uluslararası yönetmeliklere ve hükümlere uyularak taşınmak zorundadır.

- Tüketiciler bu pilleri herhangi bir özel şart aranmaksızın karayoluyla taşıyabilirler.
- Lityum iyon pillerin nakliye şirketleri tarafından ticari taşımacılığı için tehlikeli madde taşımacılığının hükümleri geçerlidir. Sevki hazırlığı ve taşıma sadece ilgili eğitimi görmüş personel tarafından gerçekleştirilebilir. Bütün süreç uzmanca bir refakatçilik altında gerçekleştirilmelidir.

Pillerin taşınması sırasında aşağıdaki hususlara dikkat edilmesi gerekmektedir:

- Kısa devre oluşmasını önlemek için kontakların korunmuş ve izole edilmiş olmasını sağlayın.
- Pil paketinin ambalajı içinde kaymamasına dikkat edin.
- Hasarlı veya akmış pillerin taşınması yasaktır.

Ayrıca bilgiler için nakliye şirketinize başvurunuz.

BAKIM

Sadece Milwaukee aksesuarı ve yedek parçası kullanın. Nasıl değiştirileceği açıklanmamış olan yapı parçalarını bir Milwaukee müşteri servisinde değiştirin (Garanti ve servis adresi broşürüne dikkat edin).

Gerektiğinde cihazın ayrıntılı çizimini, güç levhası üzerindeki makine modelini ve altı haneli rakamı belirterek müşteri servisimizden veya doğrudan Techtronic Industries GmbH, Max-Eyth-Straße 10, 71364 Winnenden, Germany adresinden isteyebilirsiniz.

SEMBOLLER



DİKKAT! UYARI! TEHLİKE!



Aletin kendinde bir çalışma yapmadan önce kartuş aküyü çıkarın.



Lütfen aleti çalıştırmadan önce kullanma kılavuzunu dikkatli biçimde okuyun.



Elektrikli cihazların, pillerin/akülerin evsel atıklarla birlikte bertaraf edilmesi yasaktır. Elektrikli cihazlar ve aküler ayrılarak biriktirilmeli ve çevreye zarar vermeden bertaraf edilmelidir. Yerel makamlara veya satıcınıza geri dönüşüm tesisleri ve atık toplama merkezlerinin yerlerini danışınız.



Boştaki devir sayısı



Voltaj



Doğru akım



Avrupa uyumluluk işareti



Ukrayna uyumluluk işareti



001



Avrasya uyumluluk işareti

TECHNICKÁ DATA AKU PŘÍKLEPOVÉ VRTAČKY/ŠROUBOVAKY	M18 BLDD2	M18 BLPD2
Výrobní číslo.....	4691 61 01..... ..000001-999999	4691 72 01... ..000001-999999
Vrtací ø v oceli.....	13 mm	13 mm
Vrtací ø v dřevě		
se flat bit.....	32 mm	32 mm
se spirálovým vrtákem.....	26 mm	26 mm
s vykrúžovací pilou.....	89 mm	89 mm
se sukovníkem.....	65 mm	65 mm
Vrtání ø v cihle a vápenopískové cihle		
Vruty do dřeva (bez předvrtání).....	6 mm	6 mm
Počet otáček při běhu naprázdno na 1.st.rychlosti.....	0-550 min ⁻¹	0-550 min ⁻¹
Počet otáček při běhu naprázdno na 2.st.rychlosti.....	0-1800 min ⁻¹	0-1800 min ⁻¹
Počet úderů při zatížení na 1.st.rychlosti.....	- min ⁻¹	0-8800 min ⁻¹
Počet úderů při zatížení na 2.st.rychlosti.....	- min ⁻¹	0-28800 min ⁻¹
Krouticí moment (5,0 Ah).....	82 Nm	82 Nm
Napětí výměnného akumulátoru.....	18 V	18 V
Rozsah upnutí sklíčidla.....	1,5-13 mm	1,5-13 mm
Hmotnost podle prováděcího předpisu EPTA 01/2014 (2,0 Ah).....	1,74 kg	1,79 kg
Hmotnost podle prováděcího předpisu EPTA 01/2014 (5,0 Ah).....	2,02 kg	2,07 kg
Doporučená okolní teplota při práci.....	-18...+50 °C	
Doporučené typy akumulátorů.....	M18B...M18HB	
Doporučené nabíječky.....	M12-18C, M12-18AC, M12-18FC, M1418C6	

Informace o hluku / vibracích

Naměřené hodnoty odpovídají EN 60745.

Typická vážená

Hladina akustického tlaku (Kolisavost K=3dB(A))..... 80 dB (A) 92 dB (A)

Hladina akustického výkonu (Kolisavost K=3dB(A))..... 91 dB (A) 103 dB (A)

Použijte chrániče sluchu !

Celkové hodnoty vibrací (vektorový součet tří směrů) zjištěné ve smyslu EN 60745.

Hodnota vibračních emisí a_v

Vrtání betonu s příklepem a _{v, ID}	11,85 m/s ²
Kolisavost K=.....	1,5 m/s ²
Vrtání kovů a _{v, ID}	1,86 m/s ²
Kolisavost K=.....	1,5 m/s ²
Šroubování a _v	2,18 m/s ²
Kolisavost K=.....	1,5 m/s ²

VAROVÁNÍ

Úroveň chvění uvedená v tomto návodu byla naměřena podle metody měření stanovené normou EN 60745 a může být použita pro porovnání elektrického nářadí. Hodí se také pro průběžný odhad zatížení chvěním.

Uvedená úroveň chvění představuje hlavní účely použití elektrického nářadí. Jestliže se ale elektrické nářadí používá pro jiné účely, s odlišnými nástroji nebo s nedostatečnou údržbou, může se úroveň chvění odlišovat. To může značně zvýšit zatížení chvěním během celé pracovní doby.

Pro přesný odhad zatížení chvěním se musí také zohlednit časy, během kterých je přístroj vypnutý nebo kdy je sice v chodu, ale skutečně se s ním nepracuje. To může zatížení chvěním během celé pracovní doby značně snížit.

Stanovte doplňková bezpečnostní opatření pro ochranu obsluhy před účinky chvění jako například: technická údržba elektrického nářadí a nástrojů, udržování teploty rukou, organizace pracovních procesů.

VAROVÁNÍ! Přečtěte si všechna výstražná upozornění, pokyny, zobrazení a specifikace pro toto elektrické nářadí. Zanedbání při dodržování výstražných upozornění a pokynů uvedených v následujícím textu může mít za následek zásah elektrickým proudem, způsobit požár a/ nebo těžké poranění.
Všechna varovná upozornění a pokyny do budoucna uschovejte.

BEZPEČNOSTNÍ POKYNY PRO PRÁCI S VRTAČKOU

Při vrtání s příklepem používejte prostředky k ochraně sluchu.

Nadměrný hluk může vést ke ztrátě sluchu.

Používejte doplňková madla dodávaná s přístrojem. Nedostatečným držením by mohlo dojít ke zranění.

Při provádění prací, při kterých nástroj může narazit na skrytá elektrická vedení nebo na vlastní kabel, držte přístroj za izolované přidržovací plošky.

Kontakt řezného nástroje s vedením pod napětím může vést k neprospěšnému napětí na kovové části přístroje a k úrazu elektrickým proudem.

Nikdy nepracujte při vyšších rychlostech, než jsou maximální jmenovité otáčky vrtáku. Při vyšších rychlostech může dojít k ohnutí vrtáku, když by se vrták volně točil a nebyl v kontaktu s obrobkem, což může vést k poranění.

Vždy začněte vrtat při nízkých otáčkách a s hrotem v kontaktu s obrobkem. Při vyšších rychlostech se může vrták prohýbat, když se točí a není v kontaktu s obrobkem, což může vést k poranění.

Tlačte pouze přímo ve směru osy vrtáku a nevyvíjejte přílišný tlak.

Vrtáky se mohou ohnout a prasknout, nebo by mohlo dojít ke ztrátě kontroly a k následnému poranění.

BEZPEČNOSTNÍ POKYNY PRO PRÁCI SE ŠROUBOVÁKEM

Přístroj držte za izolované plochy, pokud provádíte práce, při kterých může šroub zasáhnout skrytá elektrická vedení. Kontakt šroubu s vedením pod napětím může přivést napětí na kovové části přístroje a způsobit elektrický ráz.

DALŠÍ BEZPEČNOSTNÍ A PRACOVNÍ POKYNY

Použijte ochranné vybavení. Při práci s elektrickým nářadím používejte vždy ochranné brýle. Doporučíme rovněž použití součástí ochranného oděvu a ochranné obuvi, jako protiprašné masky, ochranných rukavic, pevné a neklouzající obuvi, ochranné přilby a ochrany sluchu.

Prach vznikající při práci s tímto nářadím může být zdraví škodlivý. Proto by neměl přijít do styku s tělem. Používejte při práci vhodnou ochranou masku.

Nesmíjí se opracovávat materiály, které mohou způsobit ohrožení zdraví (např. azbest)

Při zablkování nasazeného nástroje přístroj okamžitě vypněte! Přístroj nezapínajte, pokud je nasazený nástroj zablkovaný; mohl by při tom vzniknout zpětný náraz s vysokým reakčním momentem. Zjistěte příčinu zablkování nasazeného nástroje a odstraňte ji při dodržení bezpečnostních pokynů.

Možnými příčinami mohou být:

- vzpříčení v opracovávaném obrobku
- přelomení opracovávaného materiálu
- přetížení elektrického přístroje

Nezasahujte do běžícího stroje.

Nasazený nástroj se může během používání rozpálit.

VAROVÁNÍ! Nebezpečí popálení.

- při výměně nástroje
- při odkládání přístroje

Pokud stroj běží, nesmí být odstraňovány tlásky nebo odštěpky. Při vrtní do zdi, stropu nebo podlahy dávat pozor na elektrické kabely, plynová a vodovodní potrubí. Obrobek zabezpečte upínacím zařízením. Nezabezpečené obrobky mohou způsobit těžká poranění a poškození.

Před zahájením veškerých prací na vrtacím šroubováku vyjmout výměnný akumulátor.

Použité nevyhazujte do domovního odpadu nebo do ohně. Milwaukee nabízí ekologickou likvidaci starých článků, ptejte se u vašeho obchodníka s náradím.

Náhradní akumulátor neskladujte s kovovými předměty, nebezpečí zkratu.

Akumulátor systému M18 nabíjejte pouze nabíječkou systému M18. Nenabíjejte akumulátory jiných systémů.

Náhradní akumulátory ani nabíječku neotvírejte, skladujte je v suchu, chráňte před vlhkem.

Při extrémní zátěži či vysoké teplotě může z akumulátoru vytékat kapalina. Při zasažení touto kapalinou okamžitě zasažená místa omyjte vodou a mýdlem. Při zasažení očí okamžitě důkladně po dobu alespoň 10min. omyvat a neodkládně vyhledat lékaře.

VŽDY POUŽIJTE NEJDŘÍVE PŘÍDAVNOU RUKOJEŤ, pokud se použije akumulátor s kapacitou 9,0 Ah nebo vyšší; točivý moment některých elektrických nástrojů se může zvýšit. Jestliže byl váš vrtací šroubovák nebo příklepový vrtací šroubovák dodán bez přídatné rukojeti, použijte, prosím, náhradní díl přídatné rukojeti (viz podrobný výkres elektrického nářadí). Když stroj běží a tlačítko spínače není zablokované, nevklaďte žádný bit. Rotující bit může poranit uživatele.

Varování! Abyste zabránili nebezpečí požáru způsobeného zkratem, poraněním nebo poškozením výrobku, neponořujte nářadí, výměnnou baterii nebo nabíječku do kapalin a zajistěte, aby do zařízení a akumulátorů nevnikly žádné tekutiny. Korodující nebo vodivé kapaliny, jako je slaná voda, určité chemikálie a bělicí prostředky nebo výrobky, které obsahují bělidlo, mohou způsobit zkrat.

OBLAST VYUŽITÍ

Akumulátorový příklepový vrtací aroubvák je univerzáln pou-itelný pro vrtní, příklepové vrtní a aroubování nezávisle na elektrické síti. Toto zařízení lze používat jen pro uvedený účel.

CE-PROHLÁŠENÍ O SHODĚ

Výhradně na vlastní zodpovědnost prohlašujeme, že se výrobek popsáný v "Technických údajích" shoduje se všemi relevantními předpisy směrnice 2011/65/EU (RoHS), 2014/30/ES, 2006/42/ES a s následujícími harmonizovanými normativními dokumenty:

EN 60745-1:2009 + A11:2010
EN 60745-2-1:2010
EN 60745-2-2:2010
EN 55014-1:2017
EN 55014-2:2015
EN 50581:2012

Winnenden, 2018-04-30

Alexander Krug
Managing Director



Zplnomocněn k sestavování technických podkladů.
Techtronic Industries GmbH
Max-Eyth-Straße 10
71364 Winnenden
Germany

AKUMULÁTORY

Děle nepoužívané akumulátory je nutné před použitím znovu nabít. Teplota přes 50°C snižuje výkon akumulátorů. Chraňte před dlouhým přehříváním na slunci či u topení.

Kontakty nabíječky a akumulátoru udržujte v čistotě.

Optimální životnost akumulátorů se zajistí, když se po použití vždy plně nabijí.

K zabezpečení dlouhé životnosti by se akumulátory měly po nabíti vyjmout z nabíječky.

Při skladování akumulátoru po dobu delší než 30 dní:

Skladujte akumulátor v suchu při cca 27°C.

Skladujte akumulátor při cca 30%-50% nabíjecí kapacitě.

Opakujte nabíjení akumulátoru každých 6 měsíců.

OCHRANA PROTI PŘETÍŽENÍ AKUMULÁTORU

Při přetížení akumulátoru příliš vysokým odběrem proudu, například při extrémně vysokých točivých momentech, při blokování vrtáku, náhlém zastavení nebo zkratu, začne vrtáčka na 2 sekundy bruchet a poté se

samočinně vypne.

K opětnému zapnutí uvolněte spínací tlačítko a poté jej opět zapněte. Při extrémním zatížení se akumulátor může silně zahřát. Dojde-li k tomu, akumulátor se vypne.

Akumulátor v tomto případě k dobití a aktivaci vložte opět do nabíječky.

PŘEPRAVA LITHIUM-IONTOVÝCH BATERIÍ

Lithium-iontové baterie spadají podle zákonných ustanovení pod přepravu nebezpečného nákladu.

Přeprava těchto baterií se musí realizovat s dodržováním lokálních, vnitrostátních a mezinárodních předpisů a ustanovení.

- Spotřebitelé mohou tyto baterie bez problémů přepravovat po komunikacích.
- Komerční přeprava lithium-iontových baterií prostřednictvím přepravních firem podléhá ustanovením o přepravě nebezpečného nákladu. Přípravu k vyexpedování a samotnou přepravu směřj vykonávat jen příslušně vyškolené osoby. Na celý proces se musí odborně dohlížet.

Při přepravě baterií je třeba dodržovat následující:

- Zajistěte, aby kontakty byly chráněné a izolované, aby se zamezilo zkratům.
- Dávejte pozor na to, aby se svazek baterií v rámci balení nemohl sesmeknout.
- Poškozené a vyteklé baterie se nesmějí přepravovat.

Ohledně dalších informací se obraťte na vaši přepravní firmu.

ÚDRŽBA

Používat výhradně příslušenství Milwaukee a náhradní díly Milwaukee. Dily jejichž výměny nebyla popsána, nechte vyměnit v autorizovaném servisu (viz "Záruky / Seznam servisních míst").

V případě potřeby si můžete v servisním centru pro zákazníky nebo přímo od firmy Techtronic Industries GmbH, Max-Eyth-Straße 10, 71364 Winnenden, Německo vyžádat schematický nářkes jednotlivých dílů přístroje, když uvedete typ přístroje a šestimístní číslo na výkonovém štítku.

SYMBOLY

	POZOR! VAROVÁNÍ! NEBEZPEČÍ!
	Před zahájením veškerých prací na vrtacím šroubováku vyjmout výměnný akumulátor.
	Před spuštěním stroje si pečlivě pročtete návod k používání.
	Elektrická zařízení, baterie/akumulátory se nesmí likvidovat společně s odpadem z domácnosti. Elektrická zařízení, baterie/akumulátory je třeba sbírat odděleně a odevzdat je v recyklačním podniku na ekologickou likvidaci. Na místních úřadech nebo u vašeho specializovaného prodejce se informujte na recyklační podniky a sběrné dvory.
n_n	Volnoběžné otáčky
V	Napájení V~
	Stejnosměrný proud
	Značka shody v Evropě
	Značka shody na Ukrajině
	Značka shody pro oblast Eurasie

TECHNICKÉ ÚDAJE	AKUMULÁTOROVÁ PRIKLEPOVÁ VRTÁČKA AUTAHOVAČKA	M18 BLDD2	M18 BLPD2
Výrobné číslo	4691 61 01.....	4691 72 01.....
		..000001-999999	..000001-999999
Priemer vrtu do ocele	13 mm	13 mm
Priemer vrtu do dreva		
so flat bit	32 mm	32 mm
so špirálovým vrtákom	26 mm	26 mm
s vykrúžovacou pilou	89 mm	89 mm
so sukovníkom	65 mm	65 mm
Priemer vrtu do tehly a vápencového pieskovca	16 mm	16 mm
Skrutkovanie do dreva (bez predvrtu)	6 mm	6 mm
Otáčky naprázdno v 1. prevodovom stupni	0-550 min ⁻¹	0-550 min ⁻¹
Otáčky naprázdno v 2. prevodovom stupni	0-1800 min ⁻¹	0-1800 min ⁻¹
Počet úderov v 1. prevodovom stupni	- min ⁻¹	0-8800 min ⁻¹
Počet úderov v 2. prevodovom stupni	- min ⁻¹	0-28800 min ⁻¹
Točivý moment (5,0 Ah)	82 Nm	82 Nm
Napätie výmenného akumulátora	18 V	18 V
Upínací rozsah skľúčovadla	1,5-13 mm	1,5-13 mm
Hmotnosť podľa vykonávacieho predpisu EPTA 01/2014 (2,0 Ah)	1,74 kg	1,79 kg
Hmotnosť podľa vykonávacieho predpisu EPTA 01/2014 (5,0 Ah)	2,02 kg	2,07 kg
Odporúčaná okolitá teplota pri práci	-18...+50 °C	
Odporúčané typy akupaku	M18B...M18HB	
Odporúčané nabíjačky	M12-18C, M12-18AC, M12-18FC, M1418C6	

Informácia o hluku / vibráciách

Namerané hodnoty určené v súlade s EN 60745.

A-ohodnotená hladina akustického tlaku prístroja ciní

Hladina akustického tlaku (Kolisavosť K=3dB(A))..... 80 dB (A) 92 dB (A)

Hladina akustického výkonu (Kolisavosť K=3dB(A))..... 91 dB (A) 103 dB (A)

Používajte ochranu sluchu!

Celkové hodnoty vibrácií (vektorový súčet troch smerov) zistené v zmysle EN 60745.

Hodnota vibračných emisií a_h

Vítanie betónu s príklepom a_{h,10}..... 11,85 m/s²

Kolisavosť K=..... 1,5 m/s²

Vítanie kovov l a_{h,10}..... 1,86 m/s² 1,86 m/s²

Kolisavosť K=..... 1,5 m/s²

Skrutkovanie a_h..... 2,18 m/s² 2,18 m/s²

Kolisavosť K=..... 1,5 m/s²

POZOR

Úroveň vibrácií uvedená v týchto pokynoch bola nameraná meracou metódou, ktorú stanovuje norma EN 60745 a je možné ju použiť na vzájomné porovnanie elektrického náradia. Hodí sa aj na predbežné posúdenie kmitavého namáhania.

Uvedená úroveň vibrácií reprezentuje hlavné aplikácie elektrického náradia. Ak sa však elektrické náradie používa pre iné aplikácie, s odlišnými vloženými nástrojmi alebo s nedostatočnou údržbou, môže sa úroveň vibrácií líšiť. Toto môže kmitavé namáhanie v priebehu celej pracovnej doby podstatne zvýšiť.

Pre presný odhad kmitavého namáhania by sa mali tiež zohľadniť doby, v ktorých je náradie vypnuté alebo je síce v chode, ale v skutočnosti sa nepoužíva. Toto môže kmitavé namáhanie v priebehu celej pracovnej doby zreteľne redukovať.

Stanovte dodatočné bezpečnostné opatrenia pre ochranu obsluhy pred účinkami vibrácií, ako napríklad: údržba elektrického náradia a vložených nástrojov, udržiavanie teploty rúk, organizácia pracovných postupov.

VAROVANIE! Prečítajte si všetky výstražné upozornenia, pokyny, znázornenia a špecifikácie pre toto elektrické náradie. Zanedbanie pri dodržiavaní výstražných upozornení a pokynov uvedených v nasledujúcom texte môže mať za následok zásah elektrickým prúdom, spôsobiť požiar a/alebo ťažké poranenie.

Tieto výstražné upozornenia a bezpečnostné pokyny starostlivo uschovajte na budúce použitie.

BEZPEČNOSTNÉ POKYNY PRE PRÁCU S VRTÁČKOU

Pri vrтанí s príklepom používajte prostriedky k ochrane sluchu.

Nadmerný hluk môže viesť k strate sluchu.

Používajte prídavné rukoväte dodané spolu s prístrojom. Strata kontroly nad strojom môže viesť k zraneniu.

Pri realizovaní prác, pri ktorých nástroj môže naraziť na skryté elektrické vedenia alebo na vlastný kábel, držte prístroj za izolované pridržovacie plochy.

Kontakt rezného nástroja s vedením pod napätím môže viesť k prenosu napätia na kovové časti prístroja a k úrazu elektrickým prúdom.

Nikdy nepoužívajte vyššie otáčky ako maximálne otáčky, ktoré sú uvedené pre vrták. Pri vyšších otáčkach sa môže vrták ohnúť, keď sa točí k obrobku bez kontaktu, čo môže viesť k zraneniu.

Pri vyšších otáčkach sa môže vrták ohnúť, keď sa točí k obrobku bez kontaktu, čo môže viesť k zraneniu.

Tlak vyvíjajte vždy iba v priamom nasmerovaní k vrtáku a prístroj neprítlačajte príliš pevne. Vrtáky sa môžu ohnúť a zlomiť alebo môžu viesť k strate kontroly nad prístrojom, čím môže znova dôjsť k zraneniam.

BEZPEČNOSTNÉ POKYNY PRE PRÁCU SO SKRUTKOVAČOM

Kadar izvajate dela pri katerih lahko sveder zadane v prikríte električne vode, držite napravo za izolirane prijemalne površine. Stik svedra z električnim vodnikom lahko kovinske deli naprave spravi pod napetost in vodi do električnega udara.

ĎALŠIE BEZPEČNOSTNÉ A PRACOVNÉ POKYNY

Použite ochranné vybavenie. Pri práci s elektrickým náradím používajte vždy ochranné okuliare. Doporučujeme taktiež použitie súčasti ochranného odevu a ochrannej obuvi, ako sú protiprašná maska, ochranné rukavice, pevná a nekľzajúca obuv, ochranná prilba a ochrana sluchu.

Prach vznikajúci pri práci môže byť škodlivý zdraviu. Pri práci nosiť vhodnú ochrannú masku, aby sa nedostal do ľudského organizmu.

Nesmú sa opracovávať materiály, ktoré môžu spôsobiť ohrozenie zdravia (napr. azbest)

Pri zablokovaní nasadeného nástroja prístroj okamžite vypnite! Prístroj nezapínajte, pokiaľ je nasadený nástroj zablokovaný; mohol by pri tom vzniknúť spätný náraz s vysokým reakčným momentom. Príčinu zablokovania nasadeného nástroja zistite a odstráňte so zohľadnením bezpečnostných pokynov.

Možnými príčinami môžu byť:

- spríečenie v opracovávanom obrobku
- prelomenie opracovávaného materiálu
- preťaženie elektrického prístroja

Nezasahujte do bežiaceho stroja.

Nasadený nástroj sa počas používania môže rozhorčiť!

POZOR! Nebezpečenstvo popálenia

- pri výmene nástroja
- pri odkladaní prístroja

Triesky alebo úlomky sa nesmú odstraňovať za chodu stroja. Pri práci v stene, strope alebo v podlahe dávajte pozor na elektrické káble, plynové a vodovodné potrubia. Obrobok zabezpečte upínacím zariadením. Nezabezpečené obrobky môžu spôsobiť ťažké poranenia a poškodenia.

Pred každou prácou na stroji výmenný akumulátor vyťahnuť. Opotrebované výmenné akumulátory nezahadzujte do ohňa alebo medzi domový odpad. Milwaukee ponúka likvidáciu starých výmenných akumulátorov, ktorá je v súlade s ochranou životného prostredia; informujte sa u Vášho predajcu.

Výmenné akumulátory neskladovať spolu s kovovými predmetmi (nebezpečenstvo skratu).

Výmenné akumulátory systému M18 nabíjajú len nabíjacími zariadeniami systému M18. Akumulátory iných systémov týmto zariadením nenabíjajú.

Výmenné akumulátory a nabíjacie zariadenia neotvárať a skladovať len v suchých priestoroch. Chrániť pred vlhkosťou.

Pri extrémnych záťažoch alebo extrémnych teplotách môže dôjsť k vytekaniu batérovej tekutiny z poškodeného výmenného akumulátora. Ak dôjde ku kontaktu pokožky s roztokom, postihnuté miesto umyť vodou a mydlom. Ak sa roztok dostane do očí, okamžite ich dôkladne vypláchnuť po dobu min. 10 min a bezodkladne vyhľadať lekára.

VŽDY POUŽITE NAJPRV PRÍDAVNÚ RUKOVÄŤ, keď sa použije akumulátor s kapacitou 9,0 Ah alebo vyššou; točivý moment niektorých elektrických nástrojov sa môže zvýšiť. Ak bol váš vrtáči skrutkovač alebo príklepový vrtáči skrutkovač dodaný bez prídavnej rukoväte, použite, prosím, náhradný diel prídavnej rukoväte (pozri podrobný výkres elektrického náradia).

Keď stroj beží a tlačidlo spínača nie je zablokované, nevkladajte žiadny bit. Rotujúci bit môže poraniť používateľa.

Varovanie! Aby ste zabránili nebezpečenstvu požiaru spôsobeného skratom, poranением alebo poškodeniam výrobku, neponárajte náradie, výmennú batériu alebo nabíjačku do kvapalín a postarajte sa o to, aby do zariadenia a akumulátorov nevnikli žiadne tekutiny. Korodujúce alebo vodivé kvapaliny, ako je slaná voda, určité chemikálie a bieliace prostriedky alebo výrobky, ktoré obsahujú bielidlo, môžu spôsobiť skrat.

POUŽITIE PODĽA PREDPISOV

AKU-elektronický príklepový vrtáči skrutkovač je univerzálne použiteľný na vŕtanie, príklepové vŕtanie a skrutkovanie nezávisle od sieťovej prípojky. Tento prístroj sa smie používať len v súlade s uvedenými predpismi.

CE - VYHLÁSENIE KONFORMITY

Výhradne na vlastnú zodpovednosť vyhlasujeme, že výrobok popísaný v "Technických údajoch" sa zhoduje so všetkými relevantnými predpismi smernice 2011/65/EU (RoHS), 2014/30/EU, 2006/42/EC a nasledujúcimi harmonizujúcimi normatívnymi dokumentmi:

EN 60745-1:2009 + A11:2010
EN 60745-2-1:2010
EN 60745-2-2:2010
EN 55014-1:2017
EN 55014-2:2015
EN 50581:2012

Winnenden, 2018-04-30

Alexander Krug
Managing Director
Splnomocnený zostaviť technické podklady.
Techtronic Industries GmbH
Max-Eyth-Straße 10
71364 Winnenden
Germany



AKUMULÁTORY

Dlhší čas nepoužívané výmenné akumulátory pred použitím dobiť. Teplota vyššia ako 50°C znižuje výkon výmenného akumulátora. Zabráňte dlhšiemu ohriatiu slnkom alebo kúrením.

Prípadne kontakty na nabíjacom zariadení a výmennom akumulátore udržiavať čisté.

K zachovaniu optimálnej životnosti sa batérie musejú po použití vždy úplne dobiť.

K zabezpečeniu dlhej životnosti by sa akumulátory mali po nabití vybrať z nabíjačky.

Pri skladovaní akumulátora po dobu dlhšiu než 30 dní:

Skladujte akumulátor v suchu pri cca 27°C.

Skladujte akumulátor pri cca 30%-50% nabíjacej kapacity.

Opakujte nabíjanie akumulátora každých 6 mesiacov.

OCHRANA PROTI PRETÁŽENIU AKUMULÁTORA

Pri preťažení akumulátora príliš vysokým odoberom prúdu, napríklad pri extrémne vysokých točivých momentoch, pri blokovaní vrtáka, náhlom zastavení alebo skrate, začne vŕtáčka na 2 sekundy hučať a potom sa samočinne vypne.

K opätovnému zapnutiu uvoľnite spínacie tlačidlo a potom ho opäť zapnite. Pri extrémnom zaťažení sa akumulátor môže silne zahriať. Ak k tomu dôjde, akumulátor sa vypne.

Akumulátor v tomto prípade k dobitiu a aktivácii vložte opäť do nabíjačky.

PREPRAVA LÍTOVO-IÓNOVÝCH BATÉRIÍ

Lítovo-iónové batérie podľa zákonných ustanovení spadajú pod prepravu nebezpečného nákladu.

Preprava týchto batérií sa musí realizovať s dodržiavaním lokálnych, vnútroštátnych a medzinárodných predpisov a ustanovení.

- Spotrebiteľia môžu tieto batérie bez problémov prepravovať po cestách.
- Komerčná preprava lítovo-iónových batérií prostredníctvom špeciálnych firiem podlieha ustanoveniam o preprave nebezpečného nákladu. Prípravu k vyexpedovaniu a samotnú prepravu smú vykonávať iba adekvátne vyskolené osoby. Na celý proces sa musí odborné dohliadať.

Pri preprave batérií treba dodržiavať nasledovné:

- Zabezpečte, aby boli kontakty chránené a izolované, aby sa zamedzilo skratom.
- Dávajte pozor na to, aby sa zväzok batérií v rámci balenia nemohol zošmyknúť.
- Poškodené a vytečené batérie sa nesmú prepravovať.

Kvôli ďalším informáciám sa obráťte na vašu špeciálnu firmu.

ÚDRZBA

Používať len Milwaukee príslušenstvo a Milwaukee náhradné diely. Súčiastky bez návodu na výmenu treba dať vymeniť v jednom z Milwaukee zákaznických centier (viď brožúru Záruka/Adresy zákaznických centier). V prípade potreby si môžete v servisnom centre pre zákazníkov alebo priamo od firmy Techtronic Industries GmbH, Max-Eyth-Straße 10, 71364 Winnenden, Nemecko, vyžiadať schematický náčrt jednotlivých dielov prístroja pri uvedení typu prístroja a šesťmiestneho čísla na výkonovom štítku.

SYMBOLY

	POZOR! NEBEZPEČENSTVO!
	Pred každou prácou na výmene výmenný akumulátor vyťahnuť.
	Pred prvým použitím prístroja si pozorne prečítajte návod na obsluhu.
	Elektrické zariadenia, batérie/akumulátory sa nesmú likvidovať spolu s odpadom z domácnosti. Elektrické zariadenia, batérie/akumulátory treba zbierať oddelene a odovzdať ich v recyklačnom podniku na ekologickú likvidáciu. Na miestnych úradoch alebo u vášho špecializovaného predajcu sa pýtajte na recyklačné podniky a zberné dvory.
n	Otáčky naprázdno
V	Napätie
	Jednosmerný prúd
	Značka zhody v Európe
	Značka zhody na Ukrajine
	Značka zhody pre oblasť Eurázie

DANE TECHNICZNE AKUMULATOROWA WIERTARKA/WKREŹARKA UDAROWA	M18 BLDD2	M18 BLPD2
Numer produkcyjny.....	4691 61 01.....	4691 72 01.....
	...000001-999999	...000001-999999
Zdolność wiercenia w stali.....	13 mm	13 mm
Zdolność wiercenia w drewnie		
z flat bit.....	32 mm	32 mm
z wiertłem śrubowym.....	26 mm	26 mm
z piłą do wycinania otworów.....	89 mm	89 mm
z wiertłem puszkowym.....	65 mm	65 mm
Zdolność wiercenia w cegła i płytki ceramiczne		
Wkręty do drewna (bez nawiercania wstępnego).....	6 mm	6 mm
Prędkość bez obciążenia na pierwszym biegu.....	0-550 min ⁻¹	0-550 min ⁻¹
Prędkość bez obciążenia na drugi bieg.....	0-1800 min ⁻¹	0-1800 min ⁻¹
Częstotliwość uderu na pierwszym biegu.....	- min ⁻¹	0-8800 min ⁻¹
Częstotliwość uderu na drugi bieg.....	- min ⁻¹	0-28800 min ⁻¹
Moment obrotowy (5,0 Ah).....	82 Nm	82 Nm
Napięcie baterii akumulatorowej.....	18 V	18 V
Zakres otwarcia uchwytu wiertarskiego.....	1,5-13 mm	1,5-13 mm
Ciężar wg procedury EPTA 01/2014 (2,0 Ah).....	1,74 kg	1,79 kg
Ciężar wg procedury EPTA 01/2014 (5,0 Ah).....	2,02 kg	2,07 kg
Zalecana temperatura otoczenia w trakcie pracy.....	-18...+50 °C	
Zalecane rodzaje akumulatora.....	M18B...M18HB	
Zalecane ładowarki.....	M12-18C, M12-18AC, M12-18FC, M1418C6	

Informacja dotycząca szumów / wibracji

Zmierzone wartości wyznaczone zgodnie z normą EN 60745.

Typowy poziom ciśnienia akustycznego mierzony wg krzywej A:

Poziom ciśnienia akustycznego (Niepewność K=3dB(A))..... 80 dB (A) 92 dB (A)

Poziom mocy akustycznej (Niepewność K=3dB(A))..... 91 dB (A) 103 dB (A)

Należy używać ochroniaczy uszu!

Wartości łączne drgań (suma wektorowa trzech kierunków) wyznaczone zgodnie z normą EN 60745

Wartość emisji drgań a_v

Wiercenie uderowe w betonie a_{h,UD}..... 11,85 m/s²

Niepewność K=..... 1,5 m/s²

Wiercenie w metalu. l a_D..... 1,86 m/s² 1,86 m/s²

Niepewność K=..... 1,5 m/s²

Przykręcanie a_v..... 2,18 m/s² 2,18 m/s²

Niepewność K=..... 1,5 m/s²

OSTRZEŻENIE

Podany w niniejszych instrukcjach poziom drgań został zmierzony za pomocą metody pomiarowej zgodnej z normą EN 60745 i może być użyty do porównania ze sobą elektronarzędzi. Nadaje się on również do tymczasowej oceny obciążenia wibracyjnego.

Podany poziom drgań reprezentuje główne zastosowania elektronarzędzia. Jeśli jednakże elektronarzędzie użyte zostanie do innych celów z innymi narzędziami roboczymi lub nie jest dostatecznie konserwowane, wtedy poziom drgań może wykazywać odchylenia. Może to wyraźnie zwiększyć obciążenie wibracjami przez cały okres pracy.

Dla dokładnego określenia obciążenia wibracjami należy uwzględnić również czasy, w których urządzenie jest wyłączone względnie jest włączone, lecz w rzeczywistości nie pracuje. Może to spowodować wyraźną redukcję obciążenia wibracyjnego w całym okresie pracy.

Należy wprowadzić dodatkowe środki zapobiegawcze celem ochrony obsługującego przed oddziaływaniem drgań, jak na przykład: konserwacja narzędzi roboczych i elektronarzędzi, nagrzanie rąk, organizacja przebiegu pracy.

⚠ OSTRZEŻENIE! Należy przeczytać wszystkie wskazówki bezpieczeństwa, instrukcje, opisy i specyfikacje dotyczące tego elektronarzędzia. Zaniedbania w przestrzeganiu poniższych wskazówek mogą spowodować porażenie prądem, pożar i/lub ciężkie obrażenia ciała. **Należy starannie przechowywać wszystkie przepisy i wskazówki bezpieczeństwa dla dalszego zastosowania.**

⚠ WSKAZÓWKI BEZPIECZEŃSTWA DLA WIERTAREK

Do wiercenia udarowego należy zakładać ochronniki słuchu. Hałas może powodować utratę słuchu.

Stosować uchwyty pomocnicze dostarczone z narzędziem. Utrata kontroli może spowodować obrażenia.

Trzymaj urządzenie za izolowane powierzchnie chwytne gdy wykonujesz roboty, w trakcie których narzędzie skrawające może natrafić na ukryte przewody prądowe lub na własny kabel.

Styczność narzędzia skrawającego z będnym pod napięciem przewodem może spowodować podłączenie części metalowych urządzenia do napięcia i prowadzić do porażenia prądem elektrycznym.

Nigdy nie należy przekraczać maksymalnej liczby obrotów podanej dla danego wiertła. W przypadku wysokich obrotów może dojść do wygięcia wiertła w momencie jego kontaktu z obrabianym elementem, co może doprowadzić do obrażeń.

Należy zawsze zaczynać od niskich obrotów i pracować na nich w momencie kontaktu wiertła z obrabianym elementem. W przypadku wysokich obrotów może dojść do wygięcia wiertła w momencie jego kontaktu z obrabianym elementem, co może doprowadzić do obrażeń.

Zawsze należy naciskać tylko w bezpośrednim kierunku na wiertło i nie używać przy tym nadmiernej siły. Może dojść do wygięcia i złamania wiertła lub do utraty kontroli nad narzędziem, co może natomiast doprowadzić do obrażeń.

⚠ WSKAZÓWKI BEZPIECZEŃSTWA DLA WKREŹAREK

Trzymaj urządzenie za izolowane powierzchnie chwytowe, gdy wykonujesz roboty, w trakcie których śruba może natrafić na ukryte przewody prądowe. Kontakt śruby z przewodem pod napięciem może spowodować podłączenie części metalowych urządzenia do napięcia i prowadzić do porażenia prądem elektrycznym.

DODATKOWE WSKAZÓWKI BEZPIECZEŃSTWA I INSTRUKCJE ROBOCZE

Stosować wyposażenie ochronne. Przy pracy maszyną zawsze nosić okulary ochronne. Zalecana jest odzież ochronna, jak maska pyłochronna, rękawice ochronne, moone i chroniące przed poślizgiem obuwie, kask i ochronniki słuchu.

Kurz powstający przy pracy z tym elektronarzędziem może być szkodliwy dla zdrowia, w związku z tym nie powinien dotrzeć do ciała. Nosić odpowiednią maskę przeciwpyłową.

Nie wolno obrabiać materiałów, które mogą być przyczyną zagrożenia zdrowia (na przykład azbestu).

W przypadku zablokowania narzędzia nasadzanego należy natychmiast wyłączyć urządzenie! Nie należy ponownie włączać urządzenia tak długo, jak długo narzędzie nasadzone jest zablokowane; przy tym mógłby powstać odrzut zwrotny o dużym momencie reakcyjnym. Należy wykręcić i usunąć przyczynę zablokowania narzędzia nasadzanego uwzględniając wskazówki dotyczące bezpieczeństwa.

Możliwymi przyczynami tego mogą być:

- Skośne ustawienie się w poddawany obróbcie przedmiocie obrabianym
- Przerwanie materiału poddawanego obróbce
- Przeciążenie narzędzia elektrycznego

Nie należy sięgać do wnętrza maszyny będącej w ruchu.

Narzędzie nasadzone może w trakcie użytkowania stać się gorące.

OSTRZEŻENIE! Niebezpieczeństwo oparzenia się

- przy wymianie narzędzia
- przy odstawianiu urządzenia

Podczas pracy elektronarzędzia nie wolno usuwać trocin ani drzazg.

Podczas pracy przy ścianach, sufitach i podłodze należy uważać na kable elektryczne, przewody gazowe i wodociągowe.

Należy zabezpieczyć przedmiot poddawany obróbce za pomocą urządzenia mocującego. Niezabezpieczone przedmioty poddawane obróbce mogą spowodować ciężkie obrażenia ciała i uszkodzenia.

Przed przystąpieniem do jakichkolwiek prac na elektronarzędziu należy wyjąć wkładkę akumulatorową.

Zużytych akumulatorów nie wolno wrzucać do ognia ani traktować jako odpadów domowych.

Milwaukee oferuje ekologiczną utylizację zużytych akumulatorów.

Nie przechowywać akumulatorów wraz z przedmiotami metalowymi (niebezpieczeństwo zwarcia).

Akumulatory Systemu M18 należy ładować wyłącznie przy pomocy ładowarek Systemu M18. Nie ładować przy pomocy tych ładowarek akumulatorów innych systemów.

Nie otwieraj wkładkę akumulatorowych i ładowarek. Przechowywać w suchych pomieszczeniach. Chronić przed wilgocią.

W skrajnych warunkach temperaturowych lub przy bardzo dużym obciążeniu może dochodzić do wycieku kwasu akumulatorowego z uszkodzonych baterii akumulatorowych. W przypadku kontaktu z kwasem akumulatorowym należy natychmiast przemyć miejsce kontaktu wodą z mydłem. W przypadku kontaktu z oczami należy dokładnie przepłukać oczy przynajmniej przez 10 minut i zwrócić się natychmiast o pomoc medyczną.

NALÉŻY KORZYSTAĆ Z DODATKOWEGO UCHWYTU ZAWSZE WTEDY, gdy stosowany jest akumulator o pojemności co najmniej 9,0 Ah; moment obrotowy elektronarzędzia może się zwiększyć. Jeśli Państwa wkrętarka lub wkrętarka udarowa została dostarczona bez dodatkowego uchwytu, prosimy zastosować część zamienną dodatkowego uchwytu (patrz rysunek złożeniowy elektronarzędzia).

Nie wkładać bitów, gdy urządzenie jest włączone, a także gdy przycisk wyłącznika nie jest zablokowany. Obracający bit może doprowadzić do obrażeń operatora.

Ostrzeżenie! Aby uniknąć niebezpieczeństwa pożaru, obrażeń lub uszkodzeń produktu na skutek zwarcia, nie wolno zanurzać narzędzia, akumulatora wymiennego ani ładowarki w cieczach i należy zatroszczyć się o to, aby do urządzeń i akumulatorów nie dostały się żadne ciecz. Zwarcie spowodować mogą korodujące lub przewodzące ciecz, takie jak woda morska, określone chemikalia i wybielacze lub produkty zawierające wybielacze.

WARUNKI UŻYTKOWANIA

Elektroniczna akumulatorowa wiertarka udarowa/wkrętarka przeznaczona jest do wiercenia, wiercenia udarowego, a także wkręcania przy pracy z dala od źródła zasilania sieciowego. Produkt można użytkować wyłącznie zgodnie z jego normalnym przeznaczeniem.

DEKLARACJA ZGODNOŚCI CE

Oświadczamy na naszą wyłączną odpowiedzialność, że produkt opisany w punkcie "Dane techniczne" jest zgodny ze wszystkimi istotnymi przepisami Dyrektywy 2011/65/EU (RoHS), 2014/30/EU, 2006/42/WE oraz z następującymi zharmonizowanymi dokumentami normatywnymi:

EN 60745-1:2009 + A11:2010

EN 60745-2-1:2010

EN 60745-2-2:2010

EN 55014-1:2017

EN 55014-2:2015

EN 50581:2012

Winnenden, 2018-04-30


Alexander Krug
Managing Director



Upelnomocniony do zestawienia danych technicznych

Technronic Industries GmbH
Max-Eyth-Strasse 10
71364 Winnenden
Germany

BATERIE AKUMULATOROWE

Akumulatory, które nie były przez dłuższy czas użytkowane, należy przed użyciem naładować.

W temperaturze powyżej 50°C następuje spadek osiągniętej pojemności akumulatorowej. Unikać długotrwałego wystawienia na oddziaływanie ciepła lub promieni słonecznych (niebezpieczeństwo przegrzania).

Styki ładowarek i wkładki akumulatorowych należy utrzymywać w czystości

W celu zagwarantowania optymalnej żywotności należy po zakończonej eksploatacji naładować akumulatory do pełna.

Dla zapewnienia możliwie długiej żywotności akumulatory należy wyjąć z ładowarki po ich naładowaniu.

W przypadku składowania akumulatorów dłużej niż 30 dni:

Przechowywać je w suchym miejscu w temperaturze ok. 27°C.

Przechowywać je w stanie naładowanym do ok. 30% - 50%.

Ładować je ponownie co 6 miesięcy.

AZ AKKUMULÁTOR TŰLTERHELÉS ELLENI VÉDELME

Przy przeciążeniu akumulatora bardzo dużym prądem na przykład wskutek ekstremalnie dużych momentów obrotowych, zakleszczenia wirła, nagłego zatrzymania się lub zwarcia narzędzie elektryczne 'buczy' przez 2 sekundy i samoczynnie wyłącza się.

W celu ponownego włączenia należy zwolnić, a następnie ponownie włączyć przycisk wyłącznika. Pod ekstremalnymi obciążeniami może dojść do silnego nagrzania się akumulatora. W takim wypadku akumulator wyłącza się. Wówczas należy w pełni naładować akumulator do ładowarki, aby go ponownie naładować i aktywować.

TRANSPORT AKUMULATORÓW LITOWO-JONOWYCH

Akumulatory litowo-jonowe podlegają ustawowemu przepisom dotyczącym transportu towarów niebezpiecznych.

Transport tych akumulatorów winien odbywać się przy przestrzeganiu lokalnych, krajowych i międzynarodowych rozporządzeń i przepisów.

- Odbiorcom nie wolno transportować tych akumulatorów po drogach od tak po prostu.
- Komercyjny transport akumulatorów litowo-jonowych przez przedsiębiorstwa spedycyjne podlega przepisom dotyczącym transportu towarów niebezpiecznych. Przygotowania do wysyłki oraz transport mogą być wykonywane wyłącznie przez odpowiednio przeszkoloną osobę. Cały proces winien odbywać się pod fachowym nadzorem.

W czasie transportu akumulatorów należy przestrzegać następujących punktów:









- Celem uniknięcia zwarcia należy upewnić się, że zestyki są zabezpieczone i zaizolowane.
- Zwracać uwagę na to, aby zespół akumulatorów nie mógł się przemieszczać we wnętrzu opakowania.
- Nie wolno transportować akumulatorów uszkodzonych lub z wyciekającym z elektrolitem.

Odnosnie dalszych wskazań należy zwrócić się do swojego przedsiębiorstwa spedycyjnego.

UTRZYMANIE I KONSERWACJA

Używać tylko i wyłącznie wyposażenia dodatkowego Milwaukee i części zamiennych Milwaukee. Gdyby trzeba było wymienić części, które nie zostały opisane, należy skontaktować się z przedstawicielem serwisu Milwaukee (patrz wykaz adresów punktów usługowych/gwarancyjnych). W razie potrzeby można zamówić rysunek urządzenia w rozłożeniu na części podając typ maszyny oraz sześciocyfrowy numer na tabliczce znamionowej w Punkcie Obsługi Klienta lub bezpośrednio w firmie Technronic Industries GmbH, Max-Eyth-Strasse 10, 71364 Winnenden, Germany.

SYMBOLY

	UWAGA! OSTRZEŻENIE NIEBEZPIECZEŃSTWO!
	Przed przystąpieniem do jakichkolwiek prac na elektronarzędziu należy wyjąć wkładkę akumulatorową.
	Przed uruchomieniem elektronarzędzia zapoznać się uważnie z treścią instrukcji.
	Urządzenia elektryczne, baterie/akumulatory nie mogą być usuwane razem z odpadami pochodzącymi z gospodarstw domowych. Urządzenia elektryczne i akumulatory należy gromadzić oddzielnie i w celu usuwania ich do odpadów zgodnie z wymaganiami środowiska naturalnego oddawać do przedsiębiorstwa utylizacyjnego. Proszę zasięgnąć informacji o centrach recyklingowych i punktach zbiorczych u władz lokalnych lub u wyspecjalizowanego dostawcy.
n_0	Prędkość bez obciążenia
V	Napięcie V~
	Prąd stały
	Europejski Certyfikat Zgodności
	Ukraiński Certyfikat Zgodności
	Euroazjatycki Certyfikat Zgodności

MŰSZAKI ADATOK AKKUMULÁTOROS ÜTVEFÚRÓ/CSAVARÓZÓGÉP	M18 BLDD2	M18 BLPD2
Gyártási szám.....	4691 61 01..... ...000001-999999	4691 72 01... ...000001-999999
Furat- ϕ acéba.....	13 mm	13 mm
Furat- ϕ fába.....		
flat bit.....	32 mm	32 mm
csigafúróval.....	26 mm	26 mm
körtívágóval.....	89 mm	89 mm
önfúróval.....	65 mm	65 mm
Furat- ϕ téglába és mészkőbe.....	16 mm	16 mm
facsavar (előfúrás nélkül).....	6 mm	6 mm
Üresjáratú fordulatszám 1. sebességben.....	0-550 min ⁻¹	0-550 min ⁻¹
Üresjáratú fordulatszám 2. fokozatban.....	0-1800 min ⁻¹	0-1800 min ⁻¹
Ütésszám 1. sebességben.....	min ⁻¹	0-8800 min ⁻¹
Ütésszám 2. fokozatban.....	min ⁻¹	0-28800 min ⁻¹
Forgatónyomaték (5,0 Ah).....	82 Nm	82 Nm
Akkumulátor feszültség.....	18 V	18 V
Befogási tartomány.....	1,5-13 mm	1,5-13 mm
Súly a 01/2014 EPTA-eljárás szerint (2,0 Ah).....	1,74 kg	1,79 kg
Súly a 01/2014 EPTA-eljárás szerint (5,0 Ah).....	2,02 kg	2,07 kg
Ajánlott környezeti hőmérséklet munkavégzésnél.....	-18...+50 °C	
Ajánlott akkutípusok.....	M18B...M18HB	
Ajánlott töltőkészülékek.....	M12-18C, M12-18AC, M12-18FC, M1418C6	

Zaj-Vibráció-információ

A közölt értékek megfelelnek az EN 60745 szabványnak.

Szabvány szerinti A-értékelési hangszint:

Hangnyomás szint (K bizonytalanság=3dB(A)).....	80 dB (A)	92 dB (A)
Hangteljesítmény szint (K bizonytalanság=3dB(A)).....	91 dB (A)	103 dB (A)

Hallásvédő eszköz használata ajánlott!

Összesített rezgésértékek (három irány vektoriális összege) az EN 60745-nek megfelelően meghatározva.

a. rezgésemisszió érték

Ütvefúrás betonban $a_{h,10}$	11,85 m/s ²
K bizonytalanság =.....	1,5 m/s ²
Fúrás fémekben $a_{h,10}$	1,86 m/s ²
K bizonytalanság =.....	1,5 m/s ²
Csavarozás $a_{h,10}$	2,18 m/s ²
K bizonytalanság =.....	1,5 m/s ²

FIGYELMEZTETÉS

A jelen utasításokban megadott rezgésérték az EN 60745-ben szabályozott mérési eljárásnak megfelelően került leírásra, és használható elektromos szerszámokkal történő összehasonlításhoz. Az érték alkalmas a rezgésterhelés előzetes megbecsülésére is.

A megadott rezgésérték az elektromos szerszám legfőbb alkalmazásait reprezentálja. Ha az elektromos szerszámot azonban más alkalmazásokhoz, eltérő használt szerszámokkal vagy nem elegendő karbantartással használják, a rezgésérték eltérő lehet. Ez jelentősen megnövelheti a rezgésterhelést a munkavégzés teljes időtartama alatt.

A rezgésterhelés pontos megbecsüléséhez azokat az időket is figyelembe kell venni, melyekben a készülék lekapcsolódik, vagy ugyan működik, azonban ténylegesen nincs használatban. Ez jelentősen csökkentheti a rezgésterhelést a munkavégzés teljes időtartama alatt.

Határozzon meg további biztonsági intézkedéseket a kezelő védelmére a rezgések hatása ellen, például: az elektromos és a használt szerszámok karbantartásával, a kezek melegen tartásával, a munkafolyamatok megszerzésével.

⚠ FIGYELMEZTETÉS! Olvassa el az elektromos kéziszerszámra vonatkozó összes biztonsági útmutatást, utasítást, ábrát és specifikációt. A következőkben leírt utasítások betartásának elmulasztása áramütésekhez, tüzözés és/vagy súlyos testi sérülésekhez vezethet. Kérjük a későbbi használatra gondosan őrizze meg ezeket az előírásokat.

⚠ BIZTONSÁGI ÚTMUTATÁSOK FÚRÓGÉPEKHEZ

Ütvefúrásor viseljen hallásvédőt. A zaj hatása hallásvéstést okozhat. Használja a készülékkel együtt szállított kézfogantyúkat. A készülék fölötti ellenőrzés elvesztése sérüléseket okozhat.

A készüléket a szigetelt markolatfelületeket fogva tartsa, ha olyan munkálatokat végez, melyeknél a vágószerszám rejtett elektromos vezetékbe vagy saját vezetékbe ütközhet.

A vágószerszám feszültségvezető vezetékkel való érintkezésekor a készülék fém részei is feszültség alá kerülhetnek, és elektromos áramütés következhet be.

Soha ne alkalmazzon a fúrószárhoz megadott maximálisnál magasabb fordulatszámot. Magasabb fordulatszámnál a fúrószár elgörbülhet, ha úgy forog, hogy közben nem ér hozzá a munkadarabhoz, ami sérülésekhez vezethet.

Mindig alacsony fordulatszámmal kezdjen és úgy, hogy a fúrószár közben hozzérjen a munkadarabhoz. Magasabb fordulatszámmal a fúrószár elgörbülhet, ha úgy forog, hogy közben nem ér hozzá a munkadarabhoz, ami sérülésekhez vezethet.

Mindig a fúrószár közvetlen irányában gyakoroljon nyomást és ne nyomja túl erősen a készüléket. A fúrószárak elgörbülhetnek és

eltérhetnek, vagy a készülék kontrollálhatatlanná válhat, ami szintén sérüléseket okozhat.

⚠ BIZTONSÁGI ÚTMUTATÁSOK CSAVARÓZÓGÉPEKHEZ

Olyan munkák végzésekor, melyeknél a csavar rejtett áramvezetőket érhet, a szigetelt markolati felületet ne tartsa a készüléket. A csavar feszültségvezető vezetékkel érintkezve fém alkatrészeket helyezhet feszültség alá, és elektromos áramütést idézhet elő.

TOVÁBBI BIZTONSÁGI ÉS MUNKAVÉGZÉSI UTASÍTÁSOK

Használjon védőfelszerelést! Ha a gépen dolgozik, mindig hordjon védőeszközöket! Javasoljuk a védőruházat, úgymint porvédő maszk, védőcipő, erős és csúszásbiztos lábbelit, sisak és hallásvédő használatát.

A munka során keletkező por gyakran egészségre káros, ezért ne kerüljön a szervezetbe.

Hordjon e célra alkalmas porvédőmaszkot.

Nem szabad olyan anyagokat megmunkálni, amelyek egészségre veszélyesek (pl. azbesztet).

A betétszerszám elakadásakor azonnal ki kell kapcsolni a készüléket! Addig ne kapcsolja vissza a készüléket, amíg a betétszerszám elakadása fennáll; ennek során nagy ellennyomatékú visszarúgás történhet. Határozza és szüntesse meg a betétszerszám elakadásának okát a biztonsági útmutatások betartása mellett.

Ennek következők lehetnek az okai:

- a szerszám elakad a megmunkálendő munkadarabban
- a megmunkálendő anyag átszakadt
- az elektromos szerszám túlterhelése

Ne nyúljon a járó géphe.

A betétszerszám az alkalmazás során felforródhat.

FIGYELMEZTETÉSI Egési sérülések veszélye

- szerszámcserék
- a készülék lerakásakor

A munka közben keletkezett forgácsokat, szilánkokat, törmelékét, stb. csak a készülék teljes leállása után szabad a munkaterületről eltávolítani.

Falban, földemben, aljzatban történő fúrásnál fokozottan ügyelni kell az elektromos-, víz- és gázvezetésekre.

Biztosítsa a munkadarabot befogó szerkezettel. A nem biztosított munkadarabok súlyos sérüléseket és károkat okozhatnak.

Karbantartás, javítás, tisztítás, stb. előtt az akkumulátort ki kell venni a készülékből.

A használt akkumulátort ne dobja tűzbe vagy a háztartási szemétkébe.

Tájékozódjon a szakszerű megsemmisítés helyi lehetőségeiről.

Az akkumulátort ne tárolja együtt fém tárgyakkal. (Rövidzárlat veszélye).

Az M18 elnevezésű rendszerhez tartozó akkumulátorokat kizárólag a rendszerhez tartozó töltővel töltsd fel. Ne használjon más rendszerbe tartozó töltőt.

Az akkumulátort, töltőt nem szabad megbontani és kizárólag száraz helyen szabad tárolni. Nedvességtől óvni kell.

Akkumulátor sav folyhat a sérült akkumulátorból extrém terhelés alatt, vagy extrém hő miatt. Ha az akkumulátor sav a bőrre kerül azonnal mossa meg szappanos vízzel. Szembe kerülés esetén folyóvíz alatt tartsa a szemét minimum 10 percig és azonnal forduljon orvoshoz.

MINDIG HASZNÁLJON KIEGÉSZÍTŐ FOGANTYÚT, ha 9,0 Ah-s vagy nagyobb kapacitású akkut használják; egyes elektromos szerszámok forgatónyomatéka megnövekedhet. Ha az Ön fúrócsavarozója vagy ütévfúró-csavarozója kiegészítő fogantyú nélkül kerül leszállításra, akkor kérjük, használja a kiegészítő fogantyú pótalkatrészét (lásd az elektromos szerszám robbantott rajzát).

Ne helyezzen be bitet, ha a gép jár és a kapcsológomb nincs reteszelve. A forgó bit sérülést okozhat a készülék használójának.

Figyelmeztetés! A rövidzárlat általi tűz, sérülések vagy termékárosodások veszélye elkerülésére ne merítse a szerszámot, a cserélhető akkut vagy a töltőkészüléket folyadékokba, és gondoskodjon arról, hogy ne hatoljanak folyadékok a készülékekbe és az akkukba. A korrozív hatású vagy vezetőképes folyadékok, mint pl. a sós víz, bizonyos vegyi anyagok, fehérítők vagy fehérítő tartalmú termékek, rövidzárlatot okozhatnak.

RENDELTESSZERŰ HASZNÁLAT

Az akkumulátoros, elektronikus ütévfúró-csavarozó hálózatától függetlenül általánosan használható fúrás, ütévfúrás és csavarozáshoz.

A készülékét kizárólag az alábbiakban leírtaknak megfelelően szabad használni.

CE-AZONOSSÁGI NYILATKOZAT

Egyedüli felelősséggel kijelentjük, hogy a "Műszaki Adatok" alatt leírt termék a 2011/65/EU (RoHS), 2014/30/EU, 2006/42/EK irányelvek minden releváns előírásának, ill. az alábbi harmonizált normatív dokumentumoknak megfelel:

EN 60745-1:2009 + A11:2010

EN 60745-2-1:2010

EN 60745-2-2:2010

EN 55014-1:2017

EN 55014-2:2015

EN 50581:2012

Winnenden, 2018-04-30

Alexander Krug
Managing Director

Műszaki dokumentáció összeállításra felhatalmazva

Techtronic Industries GmbH

Max-Eyth-Straße 10

71364 Winnenden

Germany



AKKUK

A hosszabb ideig üzemben kívüli lévő akkumulátort használat előtt ismételtelen fel kell tölteni.

50°C feletti hőmérsékletnél csökkenhet az akkumulátor teljesítménye. Kerülni kell a túlzottan meleg helyen vagy napon történő hosszabb idejű tárolást.

A töltő és az akkumulátor csatlakozóit mindig tisztán kell tartani.

Az optimális élettartam érdekében használat után az akkukat teljesen fel kell tölteni.

A lehetőleg hosszú élettartamhoz az akkukat feltöltés után ki kell venni a töltőkészülékből.

Az akku 30 napot meghaladó tárolása esetén:

Az akkut kb. 27 °C-on, száraz helyen kell tárolni.

Az akkut kb. 30-50%-os töltöttségi állapotban kell tárolni.

Az akkut 6 havonta újra fel kell tölteni.

AZ AKKUMULÁTOR TÚLTERHELÉS ELLENI VÉDELME

Az akku túl magas áramfogyasztás miatti, pl. túl nagy forgatónyomatékok, a fúró megszorulása, hirtelen leállítás következtében fellépő túlterhelése esetén az elektromos szerszám 2 másodpercig zűg, és önműködően lekapcsol.

Az újiból bekapcsoláshoz el kell engedni a kapcsolóbillentyűt, majd ismét be kell kapcsolni.

Extrém mértékű terhelés esetén az akku erősen felforródhat. Ebben az esetben az akku lekapcsol.

Az ismételt feltöltéshez az aktiváláshoz ekkor dugja az akkut a töltőkészülékbe.

LÍTIUM-ION AKKUK SZÁLLÍTÁSA

A lítium-ion akkuk a veszélyes áruk szállítására vonatkozó törvényi rendelkezések hatálya alá tartoznak.

Az ilyen akkuk szállításának a helyi, országos és nemzetközi előírások és rendelkezések betartása mellett kell történnie.

- A fogyasztók minden további nélkül szállíthatják az ilyen akkukat közúton.
- A lítium-ion akkuk szállítmányozási vállalatok általi kereskedelmi célú szállítására a veszélyes áruk szállítására vonatkozó rendelkezések érvényesek. A kiszállítás előkészítését és a szállítást kizárólag megfelelő képzettségű személyek végezhetik. A teljes folyamatnak szakmai felügyelet alatt kell történnie.

A következő pontokat kell figyelembe venni akkuk szállításakor:

- Biztosítsa, hogy a rövidzárlatok elkerülése érdekében az érintkezők védve és szigetelve legyenek.
- Ügyeljen arra, hogy az akkucsomag ne tudjon elcsúszni a csomagolásban belül.
- Tilos sérült vagy kifolyt akkukat szállítani.

További útmutatásokért forduljon szállítmányozási vállalatához.

KARBANTARTÁS

Csak Milwaukee tartozékokat és Milwaukee pótalkatrészeket szabad használni. Az olyan elemeket, melyek cseréje nincs ismertetve, cseréltesse ki Milwaukee szervizzel (lásd Garancia/Ügyfélszolgálat címei kiadványt).

Igény esetén a készülékről robbantott rajz kérhető a géptípus és a teljesítménycímként található hatjegyű szám megadásával az Ön vezérszolgálatánál, vagy közvetlenül a Techtronic Industries GmbH-től a Max-Eyth-Straße 10, 71364 Winnenden, Németország címen.

SZÍMBŐLUMOK

	FIGYELEM! FIGYELMEZTETÉSI VESZÉLY!
	Karbantartás, javítás, tisztítás, stb. előtt az akkumulátort ki kell venni a készülékből.
	Kérjük alaposan olvassa el a tájékoztatót mielőtt a gépet használja.
	Az elektromos eszközöket, elemeket/akkukat nem szabad a háztartási hulladékkal együtt ártalmatlanítani. Az elektromos eszközöket és akkukat szelektíven kell gyűjteni, és azokat környezetbarát ártalmatlanítás céljából hulladékhasznosító üzemben kell leadni. A helyi hatóságoknál vagy szakkereskedőjénél tájékozódjon a hulladékudvarokról és gyűjtőhelyekről.
n	Üresjárat fordulatszám
V	Volt AC
	Egyenáram
	Európai megfelelőségi jelölés
	Ukrán megfelelőségi jelölés
	Eurázsiai megfelelőségi jelölés

TEHNIČNI PODATKI BATERIJSKI UDARNI VRTALNIKI/VIJAČNIKI	M18 BLDD2	M18 BLPD2
Proizvodna številka.....	4691 61 01... ...000001-999999	4691 72 01... ...000001-999999
Vrtalni ø v jeklu.....	13 mm	13 mm
Vrtalni ø v lesu		
z flat bit.....	32 mm	32 mm
z lesnim svedrom.....	26 mm	26 mm
z vrtalno žago.....	89 mm	89 mm
z vrtalno krono.....	65 mm	65 mm
Vrtalni ø v opeki in apnenem peščencu		
lesni vijaki (brez predhodnega vrtanja).....	6 mm	6 mm
Število vrtljajev v prostem teku v 1. prestavi.....	0-550 min ⁻¹	0-550 min ⁻¹
Število vrtljajev v prostem teku v 2. prestavi.....	0-1800 min ⁻¹	0-1800 min ⁻¹
Število udarcev v 1. prestavi.....	min ⁻¹	0-8800 min ⁻¹
Število udarcev v 2. prestavi.....	min ⁻¹	0-28800 min ⁻¹
Vrtljni moment (5,0 Ah).....	82 Nm	82 Nm
Napetost izmenljivega akumulatorja.....	18 V	18 V
Napenjalno področje vpenjalne glave.....	1,5-13 mm	1,5-13 mm
Teža po EPTA-proceduri 01/2014 (2,0 Ah).....	1,74 kg	1,79 kg
Teža po EPTA-proceduri 01/2014 (5,0 Ah).....	2,02 kg	2,07 kg
Priporočena temperatura okolice pri delu.....	-18...+50 °C	
Priporočene vrste akumulatorskih baterij.....	M18B...M18HB	
Priporočeni polnilniki.....	M12-18C, M12-18AC, M12-18FC, M1418C6	

Informacije o hrupnosti/vibracijah

Vrednosti merjenja ugotovljene ustrezno z EN 60745.

A ocenjeni nivo zvočnega tlaka znaša tipično

Nivo zvočnega tlaka (Nevarnost K=3dB(A)).....	80 dB (A)	92 dB (A)
Višina zvočnega tlaka (Nevarnost K=3dB(A)).....	91 dB (A)	103 dB (A)

Nosilce zaščito za sluhi!

Skupna vibracijska vrednost (Vektorska vsota treh smeri) določena ustrezno EN 60745.

Vibracijska vrednost emisij a_h

Udarno vrtenje v betonu a _{h,UD}		11,85 m/s ²
Nevarnost K=.....		1,5 m/s ²
Vrtenje v kovine l a _{h,VD}	1,86 m/s ²	1,86 m/s ²
Nevarnost K=.....	1,5 m/s ²	1,5 m/s ²
Vijačenje a _h	2,18 m/s ²	2,18 m/s ²
Nevarnost K=.....	1,5 m/s ²	1,5 m/s ²

OPOZORILO

V teh navodilih navedena raven tresljajev je bila izmerjena po EN 60745 normiranem merilnem postopku in lahko služi medsebojni primerjavi električnih orodij. Prav tako je primeren za predhodno oceno obremenitve s tresljaji.

Navedena raven tresljajev navaja najpomembnejše vrste rabe električnega orodja. Kadar se električno orodje uporablja za drugačne namene, z odstopajočimi orodji ali pa z nezadostnim vzdrževanjem, lahko raven tresljajev tudi odstopa. Le to lahko čez celoten delovni čas znatno zviša obremenitev s tresenjem.

Za natančno oceno obremenitve s tresljaji naj bi se upošteval tudi čas v katerem je naprava izklopljena ali sicer teče, vendar dejansko ni v rabi. Le to lahko obremenitev s tresljaji čez celoten delovni čas znatno zmanjša.

Za zaščito upravljalca pred učinkom tresljajev uvedite dodatne zaščitne ukrepe npr.: Vzdrževanje električnega orodja in orodja, delo s toplimi rokami, organizacija delovnih potokeov.

⚠ OPOZORILO! Preberite vsa varnostna opozorila in navodila, prikaze in specifikacije tega električnega orodja. Zakasnelo upoštevanje sledečih navodil lahko povzroči električni udar, požar in/ali težke poškodbe. **Vsa opozorila in napotila shranite, ker jih boste v prihodnje še potrebovali.**

⚠ VARNOSTNI NAPOTKI ZA VRTALNI STROJ

Pri udarnemu vrtenju nosite glušnik. Hrup lahko povzroči izgubo sluha.

Uporabite dodatne ročaje, ki so dobavljeni skupaj z napravo. Izguba kontrole lahko povzroči poškodbe.

Kadar izvajate dela pri katerih lahko orodje zadane prikrito električno napeljavo ali lasten vodnik, je napravo potrebno držati za izolirane prijemalne površine.

Stik rezalnega orodja z napetostnim vodnikom napeljave lahko privede kovinske dele naprave pod napetost in vodi do električnega udara.

Nikoli ne uporabljajte višjo hitrostjo od največje hitrosti, ki je določena za sveder. Pri večjih hitrostih se lahko sveder upogne, ko se vrti brez stika z obdelovancem, kar lahko povzroči poškodbe.

Vedno začnite vrtati z nizko hitrostjo in medtem, ko je sveder v stiku z obdelovancem. Pri večjih hitrostih se lahko sveder upogne, ko se vrti brez stika z obdelovancem, kar lahko povzroči poškodbe.

Pritisk usmerite samo v direktni liniji s svedrom in ne pritiskajte premočno. Svedri se lahko upognejo, kar povzroči zlom ali izgubo nadzora ter osebne poškodbe.

⚠ VARNOSTNI NAPOTKI ZA VRTALNIK

Kadar izvajate dela pri katerih lahko sveder zadane v prikrito električne vode, držite napravo za izolirane prijemalne površine. Stik svedra z električnim vodnikom lahko kovinske deli naprave spravi pod napetost in vodi do električnega udara.

NADALJNA VARNOSTNA IN DELOVNA OPOZORIILA

Uporabite zaščitno opremo. Pri delu s strojem vedno nosite zaščitna očala. Priporočajo se zaščitna oblačila, kot npr. maska za zaščito proti prahu, zaščitne rokavice, trdno in nedrseče obuvalo, čelada in zaščita za sluh.

Prah, ki nastaja pri delu, je pogosto zdravju škodljiv in naj ne zaide v telo. Nosite ustrezno masko proti prahu.

Obdelava materialov, iz katerih izhaja ogroženost zdravja (npr. azbest), ni dovoljena.

V primeru blokade orodja napravo takoj izklopite! Naprave ponovno ne vklaplajte dokler je orodje blokirano; pri tem bi lahko prišlo do povratnega udara z velikim reakcijskim momentom. Ugotovite in odpravite vzroke blokade orodja ob upoštevanju varnostnih navodil.

Možni razlogi so lahko:

- Zagozditev v obdelovancu
- prežganje obdelovanega materiala
- Preobremenitev električnega orodja

Ne segajte v stroj v teku.

Orodje lahko med uporabo postane vroče.

OPOZORILO! Nevarnost opeklin

- pri menjavi orodja
- pri odlaganju naprave

Trske ali iveri se pri tekočem stroju ne smejo odstranjevati.

Pri delih na steni, stropu ali v tleh pazite na električne kable, plinske in vodne napeljave.

Obdelovavec zavarujte z vpenjalno pripravo. Nezavarovani obdelovanci lahko povzročijo težke poškodbe in okvare.

Pred vsimi deli na stroji odstranite izmenljivi akumulator.

Izrabiljenih izmenljivih akumulatorjev ne mečite v ogenj ali v gospodinjinske odpadke. Milwaukee nudi okolju prijazno odlaganje starih izmenljivih akumulatorjev; prosimo povprašajte vašega strokovnega trgovca. Izmenljivih akumulatorjev ne hranite skupaj s kovinskimi predmeti (nevarnost kratkega stika).

Izmenjive akumulatorje sistema v polnite samo s polnilnimi aparati sistema M18. Ne polnite nobenih akumulatorjev iz drugih sistemov.

Izmenljivih akumulatorjev in polnilnih aparatov ne odpirajte in jih hranite samo v suhih prostorih. Zaščitite jih pred mokroto.

Pod ekstremno obremenitvijo ali ob ekstremni temperaturi iz poškodovanega izmenjivega akumulatorja lahko izteka akumulatorska tekočina. Po stiku z akumulatorsko tekočino prizadeto mesto takoj izperite z vodo in milom. Po stiku z očmi takoj najmanj 10 minut dolgo temeljito izpirajte in nemudoma obiščite zdravnika.

ZMERAJ UPORABITI DODATEN ROČAJ, kadar se uporablja akumulator s kapaciteto 9.0 Ah ali več; vrtilni moment nekaterih električnih orodij se lahko zviša. V kolikor je bil vaš vrtilni vijahnik ali udarni vrtilni vijahnik dobavljen brez dodatnega ročaja, prosimo uporabite nadomestni del dodatnega ročaja (glej eksolozijsko risbo električnega orodja).

Ne vstavljajte nastavka, ko stroj deluje in ko gumb stikala za vklop ni zaklenjen. Vrtljivi nastavek lahko uporabnika poškoduje.

Opozorilo! V izogib, s kratkim stikom povzročene nevarnosti požara, poškodb ali okvar na proizvodno, orodja, izmenjivega akumulatorja ali polnilne naprave ne potaplajte v tekočine in poskrbite, da ne bo prihajalo do vdora tekočin v naprave in akumulatorje. Korozivne ali prevodne tekočine, kot so slana voda, določene kemikalije in bella ali proizvodi, ki le ta vsebujejo, lahko povzročijo kratek stik.

UPORABA V SKLADU Z NAMEDNOSTJO

Akumulatorski elektronski vrtilnik – izvajaj je univerzalno uporaben za vrtnje, udarno vrtnje in vijačenje neodvisno od omrežnega priključka. Ta naprava se sme uporabiti samo v skladu z namednostjo uporabiti samo za navede namene.

CE-IZJAVA O KONFORMNOSTI

V lastni odgovornosti izjavljamo, da se pod "Tehnični podatki" opisan proizvod ujema z vsemi relevantnimi predpisi smernice 2011/65/EU (RoHS), 2014/30/EU, 2006/42/ES in s sledečimi harmoniziranimi normativnimi dokumenti:

EN 60745-1:2009 + A11:2010
EN 60745-2-1:2010
EN 60745-2-2:2010
EN 55014-1:2017
EN 55014-2:2015
EN 50581:2012

Winnenden, 2018-04-30



Alexander Krug
Managing Director
Pooblaščen za izdelavo spisov tehnične dokumentacije.
Techtronic Industries GmbH
Max-Eyth-Straße 10
71364 Winnenden
Germany



AKUMULATORJI

Izmenjive akumulatorje, ki jih daljši čas niste uporabljali, pred uporabo naknadno napolnite.

Temperatura nad 50°C zmanjšuje zmogljivost izmenjivega akumulatorja. Izogibajte se daljšemu segrevanju zaradi sončnih žarkov ali gretja.

Pazite, da ostanje priključni kontakti na polnilnem aparatu in izmenljivem akumulatorju čisti.

Za optimalno življenjsko dobo je akumulatorje potrebno po uporabi napolniti do konca.

Za čim daljšo življenjsko dobo naj se akumulatorji po napolnitvi vzamejo ven iz naprave za polnjenje.

Pri skladiščenju akumulatorjev dalj kot 30 dni: Akumulator skladiščiti pri 27°C in na suhem. Akumulator skladiščiti pri 30%-50% stanja polnjenja. Akumulator spet napolniti vsakih 6 mesecev.

ZAŠČITA PREOBREMENITVE AKUMULATORJA

V primeru preobremenitve akumulatorjev zaradi zelo visoke porabe toka, npr. ekstremno visokih vrtilnih momentov, zatika sveadra, nenadne zaustavitve ali kratkega stika, električno orodje 2 sekundi brni in se samodejno izklopi.

Za ponoven vklop izpustite tipko stikala in nato znova vklopite.

Pod ekstremnimi obremenitvami se lahko akumulator močno segreje. V

tem primeru se akumulator izklopi.

Za ponovno polnitev in aktiviranje akumulatorja ga je potrebno vstaviti v polnilce.

TRANSPORT LITIJ-IONSKIH AKUMULATORJEV

Litij-ionski akumulatorji so podvrženi zakonskim določbam transporta nevarnih snovi.

Transport teh akumulatorjev se mora izvajati upoštevajoč lokalne, nacionalne in mednarodne predpise in določbe.

Potrošniki lahko te akumulatorje še nadalje transportirajo po cesti.

Komercialni transport litij-ionskih akumulatorjev s strani špediterskih podjetij je podvržen določbam transporta nevarnih snovi. Priprava odpreme in transporta se lahko vrši izključno s strani ustrezno izšolanih oseb. Celoten proces je potrebno strokovno spremljati.

Pri transportu akumulatorjev je potrebno upoštevati sledeče točke:

- V izogib kratkim stikom zagotovite, da bodo kontakti zaščiteni in izolirani.
- Bodite pozorni na to, da paket akumulatorja v notranjosti embalaže ne bo mogel zdrsniti.
- Poškodovanih ali iztekajočih akumulatorjev ni dovoljeno transportirati.









Za nadaljnja navodila se obrnite na vaše špeditersko podjetje.

VZDRŽEVANJE

Uporabljajte samo Milwaukee pribor in Milwaukee nadomestne dele. Poskrbite, da sestavne dele, katerih zamenjava ni opisana, zamenjajo v Milwaukee servisni službi (upoštevajte brošuro Garancija/Naslovi servisnih služb).

Po potrebi je mogoče pri vašem servisnem mestu ali neposredno pri Techtronic Industries GmbH, Max-Eyth-Straße 10, 71364 Winnenden, Germany, naročiti eksplozijsko risbo naprave ob navedbi tipa stroja in na tablici navedene šestmestne številke.

SIMBOLI

	POZOR! OPOZORILO! NEVARNO!
	Pred vsemi deli na stroji odstranite izmenljivi akumulator.
	Prosimo, da pred uporabo pazorno preberete to navodilo za uporabo.
	Električnih naprav, baterij/akumulatorjev ni dovoljeno odstranjevati skupaj z gospodinjinskimi odpadki. Električne naprave in akumulatorje je potrebno zbirati ločeno in za okolju prijazno odstranitev, oddati podjetju za reciklažo. Pri krajevnem uradu ali vašem strokovnem prodajalcu se pozanimajte glede reciklažnih dvorišč in zbirnih mest.
n_0	Število vrtljajev v prostem teku
V	Napetost
	Enosmerni tok
	Evropska oznaka za združljivost
	Ukrajinska oznaka za združljivost
	Evrazijska oznaka za združljivost

TEHNIČKI PODACI	AKUMULATORSKA UDARNA BUŠILICA	M18 BLDD2	M18 BLPD2
Broj proizvodnje	4691 61 01 ...00001-999999	4691 72 01 ...00001-999999
Bušenje- ϕ u čelik	13 mm	13 mm
Bušenje- ϕ u drvo		
sa flat bit	32 mm	32 mm
sa zmiјastim svrdlom	26 mm	26 mm
sa kružnom pilom za bušenje	89 mm	89 mm
sa svrdlom za fino bušenje	65 mm	65 mm
Bušenje- ϕ u opeku i silikatnu opeku	16 mm	16 mm
Vijci za drvo (bez predbušenja)	6 mm	6 mm
Broj okretaja praznog hoda u 1. brzini	0-550 min ⁻¹	0-550 min ⁻¹
Broj okretaja praznog hoda u 2. brzini	0-1800 min ⁻¹	0-1800 min ⁻¹
Broj udaraca u 1. brzini	- min ⁻¹	0-8800 min ⁻¹
Broj udaraca u 2. brzini	- min ⁻¹	0-28800 min ⁻¹
Okretni moment (5,0 Ah)	82 Nm	82 Nm
Napon baterije za zamjenu	18 V	18 V
Područje stezne glave za stezanje svrdla	1,5-13 mm	1,5-13 mm
Težina po EPTA-proceduri 01/2014 (2,0 Ah)	1,74 kg	1,79 kg
Težina po EPTA-proceduri 01/2014 (5,0 Ah)	2,02 kg	2,07 kg
Preporučena temperatura okoline kod rada	-18...+50 °C	
Preporučeni tipovi akumulatora	M18B, M18HB	
Preporučeni punjači	M12-18C, M12-18AC, M12-18FC, M1418C6	

Informacije o buci/vibracijama

Mjerne vrijednosti utvrđene odgovarajuće EN 60745.

A-procjenjeni nivo pritiska zvuka aparata iznosi tipično

Nivo pritiska zvuka (Nesigurnost K=3dB(A))	80 dB (A)	92 dB (A)
Nivo učinka zvuka (Nesigurnost K=3dB(A))	91 dB (A)	103 dB (A)

Nositi zaštitu sluha!

Ukupne vrijednosti vibracije (Vektor suma tri smjera) su odmjerene odgovarajuće EN 60745

Vrijednost emisije vibracije $a_{h,D}$

Udarno bušenje u betonu $a_{h,D}$	11,85 m/s ²
Nesigurnost K=	1,5 m/s ²
Bušenje metala $a_{h,D}$	1,86 m/s ²
Nesigurnost K=	1,5 m/s ²
Vijčanje $a_{h,D}$	2,18 m/s ²
Nesigurnost K=	1,5 m/s ²

UPOZORENIE

Ova u ovim uputama navedena razina titranja je bila izmjerena odgovarajuće jednom u EN 60745 normiranom mjernom postupku i može se upotrijebiti za usporedbu električnog alata međusobno. Ona je prikladna i za privremenu procjenu titrajnog opterećenja.

Navedena razina titranja reprezentira glavne primjene električnog alata. Ukoliko se električni alat upotrebljava u druge svrhe sa odstupajućim primijenjenim alatima ili nedovoljnim održavanjem, onda razina titranja može odstupati. To može titrajno opterećenje kroz cijeli period rada bitno povisiti.

Za točnu procjenu titrajnog opterećenja se moraju uzeti u obzir i vremena u kojima je uređaj isključen ili u kojima doduše radi, ali nije i stvarno u upotrebi. To može titrajno opterećenje bitno smanjiti za vrijeme cijelog radnog perioda.

Utvrđite dodatne sigurnosne mjere za zaštitu poslužioaca protiv djelovanja titranja kao npr.: Održavanje električnih alata i upotrebljenih alata, održavanje topline ruku, organizacija i radne postupke.

⚠ UPOZORENIE! Treba pročitati sve napomene o sigurnosti, upute, prikaze i specifikacije za ovaj električni alat. Propusti kod pridržavanja sijećedić upla može uzrokovati strujni udar, požar i/ili teške ozljede. **Sačuvajte sve napomene o sigurnosti i upute za buduću primjenu.**

⚠ SIGURNOSNE UPUTE ZA BUŠILICE

Kod uralnog bušenja nosite zaštitu za sluh. Djelovanje buke može uzrokovati gubitak sluha.

Koristite dodatne drške koje su isporučene sa aparatom. Gubitak kontrole može prouzročiti povrede.

Držite spravu na izoliranim dršćkim površinama kada izvodite radove kod kojih rezaćki alat može pogoditi skrivene vodove struje ili osobni kabel.

Kontakt rezaćkog alata sa vodovima koji sprovode naponm može metalne dijelove sprave dovesti pod napon i tako dovesti do električnog udara.

Nemojte nikada upotrijebiti veći broj okretaja nego što je maksimalni broj okretaja koji je naveden za umetak bušenja. Kod većih brojeva okretaja se umetak za bušenje može presaviti ako se vrti bez kontakta s izratkom, što može dovesti do povreda.

Startajte uvijek s jednim niskim brojem okretaja i dok se umetak bušenja nalazi u kontaktu s izratkom. Kod većih brojeva okretaja umetak bušenja se može presaviti ako se vrti bez kontakta s izratkom, što može dovesti do povreda.

Stvarajte pritisak uvijek samo kod direktnog usmjeravanja prema umetku bušenja i nemojte pritiskati prejako. Umetci bušenja se mogu presaviti i slomiti ili dovesti do gubitka kontrole nad aparatom, čime opet može doći do povreda.

⚠ SIGURNOSNE UPUTE ZA ZAVRTAĆ

Držite spravu na izoliranim dršćkim površinama kada izvodite radove kod kojih rezaćki alat može pogoditi skrivene vodove struje. Kontakt rezaćkog alata sa vodovima koji sprovode naponm može metalne dijelove sprave dovesti pod napon i tako dovesti do električnog udara.

OSTALE SIGURNOSNE I RADNE UPUTE

Upotrebljavati zaštitnu opremu. Kod radova sa strojem uvijek nositi zaštitne naočale. Preporučuje se zaštitna odjeća, kao zaštitna maska protiv prašine, zaštitne rukavice, čvrste i protiv klizanja sigurne cipele, šljem i zaštitu sluha.

Prašina koja nastaje prilikom rada je često nezdrava i ne bi smjela dospjeti u tijelo. Nositi prikladnu zaštitnu masku protiv prašine.

Ne smiju se obrađivati nikakvni materijali, od kojih prijeti opasnost po zdravlje (npr. azbest).

Kod blokiranja alata koji se upotrebljava uređaj molimo odmah isključiti! Uređaj nemojte ponovno uključiti za vrijeme dok je alat koji se upotrebljava blokiran, time može doći do povratnog udara sa visokim reakcijskim momentom. Pronađite i otklonite uzrok blokiranja alata koji se upotrebljava uz poštivanje sigurnosnih uputa.

Mogući uzroci tome mogu biti:

- Izobličavanje u izratku koji se obrađuje
- Probijanje materijala koji se obrađuje
- Preopterećenje električnog alata

Nemojte sezati u stroj koji radi.

Upotrebljeni alat se može za vrijeme korištenja zagrijati.

UPOZORENIE! Opasnost od opekotina

- kod promjene alata
- kod odlaganja uređaja

Piljevina ili iverje se za vrijeme rada stroja ne smiju odstranjivati.

Kod radova na zidu, stropu ili podu paziti na električne kablove kao i vodove plina i vode.

Osigurajte vaš izradak jednim steznim uređenjem. Neosigurani izradci mogu prouzročiti teške povrede i oštećenja.

Prije svih radova na stroju izvaditi bateriju za zamjenu.

Istrošene baterije za zamjenu ne bacati u vatru ili u kućno smeće. Milwaukee nudi mogućnost uklanjanja starih baterija odgovarajuće okolini. Milwaukee nudi mogućnost uklanjanja starih baterija odgovarajuće okolini; upitajte molimo Vašeg stručnog trgovca.

Baterije za zamjenu ne čuvati skupa sa metalnim predmetima (opasnost od kratkog spoja).

Baterije sistema M18 puniti samo sa uređajem za punjenje sistema M18. Ne puniti baterije iz drugih sistema.

Baterije za zamjenu i uređaje za punjenje ne otvarati i čuvati ih samo u suhim prostorijama. Čuvati protiv vlage.

Pod ekstremnim opterećenjem ili ekstremne temperature može iz oštećenih baterija iscuriti baterijska tekućina. Kod dodira sa baterijskom tekućinom odmah ispirati sa vodom i sapunom. Kod kontakta sa očima odmah najmanje 10 minuta temeljno ispirati i odmah potražiti liječnika.

UVIJEK PRIMIJENITI DODATNU RUČICU, ako se akumulator koristi s kapacitetom od 9,0 Ah ili većim; zakretni moment ponekih električnih alata se može povećati. Ukoliko je vaša aku bušilica izvijač ili udarna bušilica izvijač bio isporučeni bez dodatne ručice, molimo da primijenite rezervni dio dodatne ručice (vidi eksplozivni crtež električnog alata).

Burgiju nemojte umetati, ako stroj radi i ako potisni prekidač nije blokiran. Burgija, koja se okreće, može ozlijediti korisnika.

Upozorenje! Zbog izbjegavanja opasnosti od požara jednim kratkim spojem, opasnosti od ozljeda ili oštećenja proizvoda, alat, izmjenjivi akumulator ili napravu za punjenje ne uronjavati u tekućine i pobrinite se za to, da u uređaje ili akumulator ne prodiru nikakve tekućine. Korozirajuće ili vodljive tekućine kao slana voda, određene kemikalije i sredstva za bijeljenje ili prozvoditi koji sadrže sredstva bijeljenja, mogu prouzročiti kratak spoj.

PROPISNA UPOTREBA

Baterijska elektronska udarna bušilica-zavrtać su upotrebljivi univerzalno za bušenje, udarno bušenje i zavrtanje, neovisno o nekom priključku na mrežu.

Ovaj aparat se smije upotrijebiti samo u određene svrhe kao što je navedeno.

CE-IZJAVA KONFORMNOSTI

Izjavljujemo na osobnu odgovornost, da je proizvod opisan pod "Tehnički podaci", sukladan sa svim relevantnim propisima smjernice 2011/65/EU (RoHS), 2014/30/EU, 2006/42/EC i sa sljedećim harmoniziranim normativnim dokumentima:

EN 60745-1:2009 + A11:2010
EN 60745-2-1:2010
EN 60745-2-2:2010
EN 55014-1:2017
EN 55014-2:2015
EN 50581:2012

Winnenden, 2018-04-30

Alexander Krug
Managing Director

Ovlašten za formiranje tehničke dokumentacije.
Techtronic Industries GmbH
Max-Eyth-Straße 10
71364 Winnenden
Germany



BATERIJE

Baterije koje duže vremena nisu korištene, prije upotrebe napuniti. Temperatura od preko 50°C smanjuje učinak baterija. Duže zagrijavanje od strane sunca ili grijanja izbjeci.

Priključne kontakte na uređaju za punjenje i baterijama držati čistima. Za optimalni vijek trajanja se akumulatori poslije upotrebe moraju sasvim napuniti.

Za što moguće duži vijek trajanja, akumulatori se nakon punjenja moraju odstraniti iz punjača.

Kod skladištenja akumulatora duže od 30 dana:

Akumulator skladištiti na suhom kod ca. 27°C.

Akumulator skladištiti kod ca. 30%-50% stanja punjenja.

Akumulator ponovno napuniti svakih 6 mjeseci.

ZAŠTITA OD PREOPTEREĆENJA AKUMULATORA

Kod preopterećenja akumulatora kroz visoku potrošnju struje, npr. ekstremno visoki okretni momenti, zaglavljenje svrdla, naglo zaustavljanje ili kratki spoj, elektroalat bruj 2 sekunde dugo i isključuje se samostalno. Za ponovno uključivanje ispuštiti otopnac prekidača i zatim ponovno uključiti.

Pod ekstremnim opterećenjima se akumulator može jako zagrijati. U ovom slučaju se akumulator isključuje.

Akumulator zatim utaknuti u punjač kako bi se ovaj ponovno napunio i zatim aktivirao.

TRANSPORT LITIJSKIH IONSKIH BATERIJA

Litijske-ionske baterije spadaju pod zakonske odredbe u svezi transporta opasne robe.

Prijevoz ovih baterija mora uslijediti uz poštivanje lokalnih, nacionalnih i internacionalnih propisa i odredaba.

- Korisnici mogu bez ustručavanja ove baterije transportirati po cestama.
- Komercijalni transport litijsko-ionskih baterija od strane transportnih poduzeća spada pod odredbe o transportu opasne robe. Otpremničke pripreme i transport smiju izvoditi isključivo odgovarajuće školovane osobe. Kompletni proces se mora pratiti na stručan način.

Kod transporta baterija se moraju poštivati sljedeće točke:

- Uvjerite se da su kontakti zaštićeni i izolirani kako bi se izbjegli kratki spojevi.
- Pazite na to, da blok baterija unutar pakiranja ne može proklizavati.
- Oštećene ili iscurjele baterije se ne smiju transportirati.

U svezi ostalih uputa obratite se vašem prijevoznom poduzeću.

ODRŽAVANJE

Primijeniti samo Milwaukee opremu i Milwaukee rezervne dijelove.

Sastavne dijelove, čija zamjena nije opisana, dati zamijeniti kod jedne od Milwaukee servisnih službi (poštivati brošuru Garancija/Adrese servisa).

Po potrebi se crtež pojedinih dijelova aparata uz navođenje podatka o tipu stroja i šestznamenastog broja na pločici snage može zatražiti kod vašeg servisa ili direktno kod Techtronic Industries GmbH, Max-Eyth-Straße 10, 71364 Winnenden, Njemačka.

SIMBOLI



PAŽNJA! UPOZORENIE! OPASNOST!



Prije svih radova na stroju izvaditi bateriju za zamjenu.



Molimo da pažljivo pročitate uputu o upotrebi prije puštanja u rad.



Elektrouređaji, baterije/akumulatori se ne smiju zbrinjavati skupa sa kućnim smećem. Električni uređaji/akumulatori se moraju skupljati odvojeno i predati na zbrinjavanje primjereno okolišu jednom od pogona za iskošćavanje. Raspitajte se kod mjesnih vlasti ili kod stručnog trgovca u svezi gospodarstva za recikliranje i mjesta skupljanja.



Broj okretaja praznog hoda

Napon



Istosmjerna struja



Evropski znak suglasnosti



Ukrajinski znak suglasnosti



Euroazijski znak suglasnosti

TEHNISKIE DATI	AKUMULATORA SITAMĀIS URBIS	M18 BLDD2	M18 BLPD2
Izlaides numurs		4691 61 01...	4691 72 01...
		..000001-999999	..000001-999999
Urbšanas diametrs tēraudā		13 mm	13 mm
Urbšanas diametrs kokā			
ar flat bit		32 mm	32 mm
ar skrūvveida urbi		26 mm	26 mm
cirkulārais caurumu zāģis		89 mm	89 mm
ar pašdarbīgu urbi		65 mm	65 mm
Urbšanas diametrs kļedģelos un kaļksmīšakmeni		16 mm	16 mm
Koka skrūves (bez iepriekšējas urbšanas)		6 mm	6 mm
Apgrīzieni tukšgaitā 1. ātrumā		0-550 min ⁻¹	0-550 min ⁻¹
Apgrīzieni tukšgaitā 2. ātrumā		0-1800 min ⁻¹	0-1800 min ⁻¹
Sitienu biežums 1. ātrumā		min ⁻¹	0-8800 min ⁻¹
Sitienu biežums 2. ātrumā		min ⁻¹	0-28800 min ⁻¹
Griezes moments (5,0 Ah)		82 Nm	82 Nm
Akumulātorā spriegums		18 V	18 V
Urbiņa stiprinājuma amplitūda		1,5-13 mm	1,5-13 mm
Svars atbilstoši EPTA -Procedure 01/2014 (2,0 Ah)		1,74 kg	1,79 kg
Svars atbilstoši EPTA -Procedure 01/2014 (5,0 Ah)		2,02 kg	2,07 kg
Leteicamā vides temperatūra darba laikā		-18...+50 °C	
Leteicamie akumulatoru tipi		M18B, M18HB	
Leteicamās uzlādes ierīces		M12-18C, M12-18AC, M12-18FC, M1418C6	

Trokšņu un vibrāciju informācija

Vērtībās, kas noteiktas saskaņā ar EN 60745.

Instrumenta tipiskais pēc A vērtētais trokšņa spiediena līmenis parasti sastāda

Trokšņa spiediena līmenis (Nedrošība K=3dB(A))	80 dB (A)	92 dB (A)
Trokšņa jaudas līmenis (Nedrošība K=3dB(A))	91 dB (A)	103 dB (A)

Nēsāt trokšņa slāpētāju!

Svārstību kopējā vērtība (Trīs virzienu vektoru summa) tiek noteikta atbilstoši EN 60745.

svārstību emisijas vērtība $a_{h,10}$

Betona elektriskais urbis $a_{h,10}$	11,85 m/s ²
Nedrošība K=	1,5 m/s ²
Metāla urbis $a_{h,10}$	1,86 m/s ²
Nedrošība K=	1,5 m/s ²
Skrūvēšana $a_{h,10}$	2,18 m/s ²
Nedrošība K=	1,5 m/s ²

UZMANĪBU

Instrukcijā norādītā svārstību robežvērtība ir izmērīta mērījumu procesā, kas veikts atbilstoši standartam EN 60745, un to var izmantot elektroinstrumentu savstarpējai salīdzināšanai. Tā ir piemērota arī svārstību noslogojuma pagaidu izvērtēšanai.

Norādītā svārstību robežvērtība ir reprezentatīva elektroinstrumenta pamata pielietojuma jomām. Tomēr, ja elektroinstrumenti tiek pielietoti citās jomās, papildus izmantot neatbilstošus elektroinstrumentus vai pēc nepietiekamas tehniskās apkopes, tad svārstību robežvērtība var atšķirties. Tas var ievērojami palielināt svārstību noslogojumu visa darba laikā.

Precīzai svārstību noslogojuma noteikšanai, ir jāņem vērā arī laiks, kad ierīces ir izslēgtas vai arī ir ieslēgtas, tomēr faktiski netiek lietotas. Tas var ievērojami samazināt svārstību noslogojumu visa darba laikā.

Integrējiet papildus drošības pasākumus pret svārstību ietekmi lietotājam, piemēram: elektroinstrumentu un darba instrumentu tehniskā apkope, roku siltuma uzlīdēšana, darba procesu organizācija.

▲ BRĪDINĀJUMS Izlasiet visus šim elektroinstrumentam pievienotos drošības brīdinājumus, instrukcijas, ilustrācijas un specifikācijas. Nespēja ievērot visas zemāk uzskaitītās instrukcijas var novest pie elektrošoka, ugunsgrēka un/vai smagiem savainojumiem.
Pēc izlasīšanas uzglabājiet šos noteikumus turpmākai izmantošanai.

▲ DROŠĪBAS NOSACĪJUMI LIETOJOT URBJMAŠĪNAS

Lietojiet dzirdes aizsargu, izmantojot āmuru. Trokšņa iedarbība var izraisīt dzirdes zudumu.

Lietojiet instrumentam pievienotos papildus rokturus. Zaudējot kontroli, var gūt ievainojumus.

Leģī turiet aiz izolētiem rokturiem, ja veicat darbus, kuros griešanas darbiem izmantojamais instruments var skart paslēptus elektrovadus vai pats savu kabeli.

Šī instrumenta saskare ar strāvu vadu šiem kabeļiem var radīt spriegumu arī ierīces metāliskajās daļās un var izraisīt elektrisko triecienu.

Nekad neizmantojiet augstāku apgrīzietu skaitu par maksimālo, kas norādīts konkrētajam urbim. Ja apgrīzietu skaits ir lielāks, urbis var saliekties, ja griežas bez saķeres ar sagatavi, kā rezultātā var rasties savainojumi.

Urbšanu vienmēr sāciet ar zemāku apgrīzietu skaitu un vienmēr tikai tad, kad urbis jau ir saskāries ar sagatavi. Ja apgrīzietu skaits ir lielāks, urbis var saliekties, ja griežas bez saķeres ar sagatavi, kā rezultātā var rasties savainojumi.

Izdariet spiedienu tikai tiešā līnijā ar urbi un nespiediet pārāk stipri. Urbis var saliekties un salūzt vai radīt kontroles zudumu pār ierīci, kā rezultātā pastāv savainojumu rašanās risks.

▲ DROŠĪBAS NOSACĪJUMI LIETOJOT SKRŪVGRĒZŅUS

Turiet ierīci aiz izolētajām turēšanas virsmām, veicot darbus, kur skrūve var skart apslēptus elektrības vadus. Skrūves kontakts ar spriegumu vadu vadu var ierīces metāla daļās uzlādēt un novest pie elektriskās strāvas triecienu.

CITAS DROŠĪBAS UN DARBA INSTRUKCIJAS

Jāizmanto aizsargaprīkojums. Strādājot ar mašīnu, vienmēr jānēsā aizsargbrilles. Ieteicams nēsāt aizsargapģērbu, kā piemēram, aizsargmasku, aizsargcimdus, kurpes no stingra un neslīdīga materiāla, ķiveri un ausu aizsargus.

Putekļi, kas rodas darba gaitā, bieži ir kaitīgi veselībai un tiem nevajadzētu nokļūst organismā. Jānēsā piemērota maska, kas pasargā no putekļiem. Nedrīkst apstrādāt materiālus, kas rada draudus veselībai (piemēram, asbestu). Ja izmantojamais darba rīks tiek bloķēts, nekavējoties izslēgt ierīci! Neieslēdziet ierīci, kamēr izmantojamais darba rīks ir bloķēts; var rasties atsiens ar augstu griezes momentu. Noskaidrojiet un novērsiet izmantojamā darba rīka bloķēšanas iemeslu, ievērojot visas drošības norādes.

Iespējamie iemesli:

- iesprūdis apstrādājamajā materiālā
- apstrādājamais materiāls ir caursiets
- elektroinstrumenti ir pārslogots

Leslēgtai ierīcei nepieskarties.

Izmantojamais darba rīks darba gaitā var stipri sakarst.

UZMANĪBU! Bīstamība apdedzināties

- veicot darba rīka nomaiņu
- noliekot iekārtu

Skaidas un atlūzas nedrīkst ņemt ārā, kamēr mašīna darbojas.

Veicot darbus sienā, griestu un grīdas apvidū, vajag uzmanīties, lai nesabojātu elektriskos, gāzes un ūdens vadus.

Fiksējiet apstrādājamo materiālu ar fiksācijas aprīkojumu. Nenostiprināti materiāli var izraisīt smagus savainojumus un bojājumus.

Pirms mašīnai veikt jebkāda veida apkopes darbus, ir jāizņem arī akumulators. Izmantotos akumolārus nedrīkst mest ugunī vai parastajos atkritumos. Firma Milwaukee piedāvā iespēju vecos akumolātorus savākt apkārtējo vidi saudzējošā veidā; jautājiet specializētā veikalā.

Akumolātorus nav ieteicams glabāt kopā ar metāla priekšmetiem (iespējams īsslēgums).

M18 sistēmas akumolātorus lādēt tikai ar M18 sistēmas lādētājiem. Nedrīkst lādēt citus akumolātorus no citām sistēmām.

Akumolātorus un lādētājus nedrīkst taisīt vaļā un tie jāuzglabā sausās telpās. Pie ārkārtas slodzes un ārkārtas temperatūrām no bojātā akumolātorā var iztecot akumolātoru šķidrums. Ja nonākt saskarsmē ar akumolātorā šķidrums, saskarsmes vieta nekavējoties jānomazgā ar ūdeni un ziepēm. Ja šķidrums nonācis acīs, acis vismaz 10 min. skalojot un nekavējoties konsultējies ar ārstu. Izmantojot akumolatoru, kura jauda ir 9.0 Ah vai augstāka, VIENMĒR IZMANTOJIET PAPILDŪ ROKTURĪ; atsevišķu elektroninstrumentu griezes moments var palielināties. Ja jūsu urbjmašīna vai triecienuurbjmašīna tiek piegādāta bez papildu roktura, lūdzu, izmantojiet papildu roktura rezerves daļas (skatiet elektroninstrumenta eksplozijas norādes).

Neievietojiet uzgali, ja iekārta darbojas un slēdzis nav nobloķēts. Rotējošais uzgalis var savainot lietotāju.

Brīdinājums! Lai novērstu īssavienojuma izraisītu aizdegšanās, savainojumu vai produkta bojājuma risku, neiegremdējiet instrumentu, maināmo akumolatoru vai uzlādes ierīci šķidrumos un rūpējieties par to, lai ierīces un akumolatoros neiekļūtu šķidrums. Koroziju izraisoši vai vadītspējīgi šķidrumi, piemēram, sālsūdens, noteiktas ķīmikālijas, bīdātie vai produkti, kas satur bīdātajus, var izraisīt īssavienojumu.

NOTEIKUMIEM ATBILSTOŠS IZMANTOJUMS

Elektroniskā triecienuurbjmašīna ar akumolatoriem ir universāli izmantojama uršanai, uršanai ar perforāciju un skrūvēšanai neatkarīgi no tīkla pieslēguma. Šo instrumentu drīkst izmantot tikai saskaņā ar minētajiem lietošanas noteikumiem.

ATBILSTĪBA CE NORMĀM

Mēs apliecinām, ka produkts, kura tehniskie parametri aprakstīti "tehnisko datu lapā", pilnībā atbilst prasībām saskaņā ar direktīvām 2011/65/EU (RoHS), 2014/30/ES, 2006/42/EK un attiecīgajiem harmonizētajiem normatīvajiem dokumentiem:

EN 60745-1:2009 + A11:2010

EN 60745-2-1:2010

EN 60745-2-2:2010

EN 55014-1:2017

EN 55014-2:2015

EN 50581:2012

Winnenden, 2018-04-30

Alexander Krug
Managing Director
Pilnvarotais tehniskās dokumentācijas sastādītājs.
Techtronics Industries GmbH
Max-Eyth-Straße 10
71364 Winnenden
Germany



AKUMULĀTORI

Akumulātori, kas ilgāku laiku nav izmantoti, pirms lietošanas jāuzlādē.

Pie temperatūras, kas pārsniedz 50°C, akumolātoru darbība tiek negatīvi ietekmēta. Vajag izvairīties no ilgākas saules un karstuma iedarbības.

Lādētāja un akumolātoru pievienojuma kontakti jāuztur tīri.

Lai baterijām būtu optimāls mūžs, pēc lietošanas bateriju bloks pilnībā jāuzlādē.

Lai akumolātori kalpotu pēc iespējas ilgāku laiku, tos pēc uzlādes ieteicams atvienot no lādētāj ierīces.

Akumolātoru uzglabāšana ilgāk kā 30 dienas: uzglabāt akumolatoru tie aptuveni 27°C un sausā vietā. Uzglabāt akumolatoru uzlādes stāvoklī aptuveni pie 30%-50%. Uzlādēt akumolatoru visus 6 mēnešus no jauna.

AKUMULĀTORA AIZSARDZĪBA PRET PĀRSLOGOJUMU

Akumolātoru pārslogojuma gadījumos, esot ļoti lielam elektroenerģijas patērinājumam, piem., ārkārtīgi augsts griezes moments, urbja iekersšanās, pēkšņa apstāšanās vai īssavienojums, elektriskais darbarīks 2 sekundes ruc, un pats izslēdzas.

Lai to atkal ieslēgtu, atlaižiet ieslēgšanas pogu un tad to ieslēdziet no jauna. Esot ārkārtīgi augstam noslogojumam, akumolātors var spēcīgi sakarst. Šādā gadījumā akumolātors atslēdzas.

Akumolātoru var ievietot lādētājā, lai to atkal uzlādētu un aktivizētu.

LITĪJA JONU AKUMULĀTORU TRANSPORTĒŠANA

Uz litija jonu akumolatoriem attiecas noteikumi par bīstamo kravu pārvadāšanu. Šo akumolatoru transportēšana jāveic saskaņā ar vietējiem, valsts un starptautiskajiem normatīvajiem aktiem un noteikumiem.

- Patērētāja darbības, pārvadājot šos akumolatorus pa autoceļiem, nav reglamentētas.
- Uz litija jonu akumolatoru komerciālu transportēšanu, ko veic ekspedīcijas uzņēmums, attiecas bīstamo kravu pārvadāšanas noteikumi. Sagatavošanas darbus un transportēšanu drīkst veikt tikai atbilstoši apmācīts personāls. Viss process jāvadā profesionāli.

Veicot akumolatoru transportēšanu, jāievēro:

- Pārliecinieties, ka kontakti ir aizsargāti un izolēti, lai izvairītos no īssavienojumiem.
- Pārliecinieties, ka akumolātors iepakojumā nevar paslīdēt.
- Bojātus vai tekošus akumolatorus nedrīkst transportēt.

Plašāku informāciju Jūs varat saņemt no ekspedīcijas uzņēmuma.

APKOPE

Izmantojiet tikai firmu Milwaukee piederumus un firmas Milwaukee rezerves daļas. Lieciet nomainīt detaļas, kuru nomaina nav aprakstīta, kādā no firmu Milwaukee klientu apkalpošanas servisiem. (Skat. brošūru "Garantijaklientu apkalpošanas serviss".)

Pēc pieprasījuma, Jūsu Klientu apkalpošanas centrā vai pie Techtronics Industries GmbH, Max-Eyth-Straße 10, 71364 Winnenden, Vācijā, ir iespējams saņemt iekārtas montāžas rasējumu, iepriekš norādot iekārtas modeli un sērijas numuru, kas atrodas uz datu plāksnītes un sastāv no sešiem simboliem.

SIMBOLI

	UZMANĪBU! BĪSTAMI!
	Pirms mašīnai veikt jebkāda veida apkopes darbus, ir jāizņem arī akumolātors.
	Pirms sākt lietot instrumentu, lūdzu, izlasiet lietošanas pamācību.
	Elektriskos aparātus, baterijas/akumolatorus nedrīkst utilizēt kopā ar mājaisaimniecības atkritumiem. Elektriski aparāti un akumolātori ir jāsavāc atsevišķi un jānodod atkritumu pārstrādes uzņēmumā videi saudzīgai utilizācijai. Jautājiet vietējā iestādē vai savam specializētājam tirgotājam, kur atrodas atkritumu pārstrādes uzņēmumi vai savākšanas punkti.
n_n	Tukšgaitas apgriezību skaits
V	Spriegums
==	Līdzstrāva
	Eiropas atbilstības zīme
	Ukrainas atbilstības zīme
	Eirāzijas atbilstības zīme

TECHNINIAI DUOMENYS SMŪGINIS ATSUKTUVAS / GRĄŽTAS SU AKUMULIATORIUMI	M18 BLDD2	M18 BLPD2
Produkto numeris	4691 61 01... ...000001-999999	4691 72 01... ...000001-999999
Gręžimo ø pliene	13 mm	13 mm
Gręžimo ø medienoje		
su flat bit	32 mm	32 mm
su spiraliniu grąžtu	26 mm	26 mm
su gręžimo karūna	89 mm	89 mm
su savisriegiu	65 mm	65 mm
Gręžimo ø galutė degtose ir silikatinėse plytose	16 mm	16 mm
Medvaržčiai (be išankstinio gręžimo)	6 mm	6 mm
Sūkių skaičius laisva eiga 1. pavara	0-550 min ⁻¹	0-550 min ⁻¹
Sūkių skaičius laisva eiga 2. pavara	0-1800 min ⁻¹	0-1800 min ⁻¹
Smūgių skaičius 1. pavara	min ⁻¹	0-8800 min ⁻¹
Smūgių skaičius 2. pavara	min ⁻¹	0-28800 min ⁻¹
Sukimo momentas (5,0 Ah)	82 Nm	82 Nm
Keičiamo akumuliatoriaus įtampa	18 V	18 V
Grąžo patrono veržimo diapazonas	1,5-13 mm	1,5-13 mm
Prietaiso svoris įvertintas pagal EPTA 01/2014 tyrimų metodiką (2,0 Ah)	1,74 kg	1,79 kg
Prietaiso svoris įvertintas pagal EPTA 01/2014 tyrimų metodiką (5,0 Ah)	2,02 kg	2,07 kg
Leteicamą vidės temperatūrą darba laiką	-18...+50 °C	
Leteicamie akumulatorio tipai	M18B...M18HB	
Leteicamās uzlādes ierīces	M12-18C, M12-18AC, M12-18FC, M1418C6	

Informacija apie triukšmą/vibraciją

Vertės matuotos pagal EN 60745.

Prietaisui būdingas garso slėgio lygis, koreguotas pagal A dažnio charakteristiką.

Garso slėgio lygis (Paklaida K=3dB(A))

Garso galios lygis (Paklaida K=3dB(A))

Nešioti klausos apsaugines priemones!

Bendroji svyravimų reikšmė (trijų krypčių vektorių suma), nustatyta remiantis EN 60745.

Vibravimų emisijos reikšmė a_h

Betono perforavimas $a_{h,ID}$	11,85 m/s ²
Paklaida K=	1,5 m/s ²
Metalo gręžimas I $a_{h,D}$	1,86 m/s ²
Paklaida K=	1,5 m/s ²
Prisukimas varžtais $a_{h,v}$	2,18 m/s ²
Paklaida K=	1,5 m/s ²

DĖMESIO

Instrukcijoje nurodyta svyravimų ribinė vertė yra išmatuota remiantis standartu EN 60745; ji gali būti naudojama keliems elektriniams instrumentams palyginti. Ji taikoma ir laikinai įvertinti svyravimų apkrovą.

Nurodyta svyravimų ribinė vertė yra taikoma pagrindinėse elektrinio instrumento naudojimo srityse. Svyravimų ribinė vertė gali skirtis naudojant elektrinį instrumentą kitose srityse, papildomai naudojant netinkamus elektrinius instrumentus arba juos nepakankamai techniškai prižiūrint. Dėl to viso darbo metu gali žymiai padidėti svyravimų apkrovą.

Siekiant tiksliai nustatyti svyravimų apkrovą, būtina atsižvelgti ir į laikotarpį, kai įrenginys yra išjungtas arba įjungtas, tačiau faktiškai nenaudojamas. Dėl to viso darbo metu gali žymiai sumažėti svyravimų apkrovą.

Siekiant apsaugoti vartotojus nuo svyravimo įtakos naudojami papildomos saugos priemonės, pavyzdžiui, elektrinių darbo instrumentų techninė priežiūra, rankų šilumos palaikymas, darbo procesų organizavimas.

⚠ WARNING Perskaitykite visus saugumo įspėjimus, instrukcijas, peržiūrėkite iliustracijas ir specifikacijas, pateiktas kartu su šiuo įrankiu. Jei nepaisysite visų toliau pateiktų instrukcijų, gali trenkti elektros smūgis, kilti gaisras ir/arba galite sunkiai susižaloti arba sužaloti kitus asmenis.

Išsaugokite šias saugos nuorodas ir reikalavimus, kad ir ateityje galėtumėte jais pasinaudoti.

⚠ GRĄŽTAMS SKIRTI SAUGUMO NURODYMAI

Dirbdami su smūginiu grąžtu, visuomet naudokite apsaugines ausų priemones. Dėl didelio triukšmo poveikio gali būti pažeidžiama klausos.

Naudokite į prietaiso komplektaciją įeinančias papildomas rankenas. Nesuvaldžius prietaiso galima susižeisti.

Dirbdami laikykite prietaisą už izoliuotų vietų, kuriose plovimo įrenginys pats galėtų liesti paslėptus laidus arba savo paties laidą.

Plovimo įrenginio kontaktas su įtampa laidais gali įelektrinti metalines prietaiso dalis, o tai gali sukelti elektros iškvąvą.

Niekada nenustatykite didesnio nei didžiausio galimo sūkių skaičiaus, kuris yra nurodytas ant įstatomojo grąžo. Didesniu sūkių skaičiumi veikiantis įstatomasis grąžas gali sulinkti, kai sukdamasis neliečia ruošinio, todėl kyla pavojus susižaloti.

Nedidelį sūkių skaičių nustatykite pradžioje ir tuomet, kai įstatomasis grąžas liečiasi prie ruošinio. Didesniu sūkių skaičiumi veikiantis įstatomasis grąžas gali sulinkti, kai sukdamasis neliečia ruošinio, todėl kyla pavojus susižaloti.

Nedidelį sūkių skaičių nustatykite pradžioje ir tuomet, kai įstatomasis grąžas liečiasi prie ruošinio. Didesniu sūkių skaičiumi veikiantis įstatomasis grąžas gali sulinkti, kai sukdamasis neliečia ruošinio, todėl kyla pavojus susižaloti.

Visada spauskite tik tiesiogiai įstatomojo grąžo kryptimi ir niekada nespauskite per stipriai. Įstatomieji grąžtai gali sulinkti ir nulūžti arba galite nesuvaldyti prietaiso ir taip pat susižaloti.

⚠ SUKTUVAMS SKIRTI SAUGUMO NURODYMAI

Prietaisą laikykite ant izoliuoto guminio paviršiaus, jei atliekate darbus, kurių metu sraigtas gali pasiekti sulenktais srovės tiekimo linijoms. Sraigti prisilietus prie įtampą tiekiančių linijų gali įsikrauti prietaiso dalys ir įvykti elektros smūgis.

KITI SAUGUMO IR DARBO NURODYMAI

Dėvėkite apsaugines priemones. Dirbdami su mašina visada užsidėkite apsauginius akinius. Rekomenduotina dėvėti apsaugines priemones: apsaugos nuo dulkių respiratorius, apsaugines pirštines, kietus batus neslidžiais padais, šalną ir klausos apsaugos priemones.

Darbo metu susidarančios dulksės yra dažnai kenksmingos sveikatai ir todėl turėtų nepatekti į organizmą. Dėvėti tinkamą apsauginę kaukę nuo dulkių. Negalima apdirbti medžiagų, dėl kurių gali būti sveikatos pažeidimai (pvz., asbesto).

Blokuojant įstatomąjį įrankį būtina išjungti prietaisą! Neįjunkite prietaiso, kol įstatomasis įrankis yra užblokuotas; galimas grįžtamasis smūgis su dideliu sukimo momentu. Atsižvelgdami į saugumo nurodymus, nustatykite ir pašalinkite įstatomojo įrankio blokovimo priežastį.

Galimos priežastys:

- Susidariusios apdirbamo ruošinio braiunos
- Apdirbamos medžiagos pratrūkimas
- Elektros įrankio perkrova

Nekiskite rankų į veikiančią mašiną.

Naudojamas įstatomasis įrankis gali įkaisti.

DĖMESIO! Pavojus nusideginti

- keičiant įrankį
- padedant prietaisą

Draudžiama išiminti drožles ar nuopjovas, įrenginius veikiant. Dirbdami sienoje, lubose arba grindyse, atkreipkite dėmesį į elektros laidus, dujų ir vandens vamzdžius.

Ruošinį užfiksuokite įtempimo įrenginiu. Neuzfiksuoti ruošiniai gali sunkiai sužaloti ir būti pažeidimų priežastimi.

Prieš atlikdami bet kokius darbus įrenginyje, išimkite keičiamą akumuliatorių.

Sunaudotų keičiamų akumuliatorių nedeginkite ir nemeskite į buitines atliekas. „Milwaukee“ siūlo tausančią aplinką sudėvėtų keičiamų akumuliatorių tvarkymą, apie tai prekybos atstovs.

Keičiamų akumuliatorių nelaikykite kartu su metaliniais daiktais (trumpojo jungimo pavojus).

Keičiamus M18 sistemos akumuliatorius kraukite tik „M18“ sistemos įkrovikliais. Nekraukite kitų sistemų akumuliatorių.

Keičiamų akumuliatorių ir įkroviklių nelaikykite atvirai. Laikykite tik sausoje vietoje. Saugokite nuo drėgmės.

Ekstremalių apkrovų arba ekstremalios temperatūros poveikyje iš keičiamų akumuliatorių gali ištekėti akumuliatoriaus skystis. Išsitempus akumuliatoriaus skysčiui, tuoj pat nuplaukite vandeniu su muilu. Patekus į akis, tuoj pat ne trumpiau kaip 10 minučių gausiai skalaukite vandeniu ir tuoj pat kreipkitės į gydytoją.

Naudojant 9,0 Ah ar galingesnę akumuliatorių, VISADA NAUDOKITE PAPILDOMĄ RANKENĄ; kai kurių elektrinių įrankių sukimo momentas gali padidėti. Jei akumuliatorinis suktukas ar smūginis suktukas tiekiamas be papildomos rankenos, naudokite papildomos rankenos atsarginę detalę (žr. elektrinio įrankio išskaidyto vaizdo schemą).

Jeigu prietaisas veikia, o paleidimo jungiklis neužfiksuotas, antgalio įstatyti negalima. Besisukantis antgalis gali sužaloti naudotoją.

Įspėjimas! Siekiami išvengti trumpojo jungimo sukeliama gaisro pavojaus, sužalojimų arba produkto pažeidimų, neikiškite įrankio, keičiamo akumuliatoriaus arba įkroviklio į skysčius ir pasirūpinkite, kad į prietaisus arba akumuliatorius nepatektų jokių skysčių. Koroziją sukkeliantys arba laidūs skysčiai, pvz., sūrus vanduo, tam tikri chemikalai ir balikliai arba produktai, kurių sudėtyje yra baliklių, gali sukelti trumpąjį jungimą.

NAUDOJIMAS PAGAL PASKIRTĮ

Akumuliatorinį smūginį suktuvą-grežtuvą galima universaliai naudoti gręžimui, smūginiam gręžimui ir sukimui nepriklausomai nuo elektros tinklo. Šį prietaisą leidžiama naudoti tik pagal nurodytą paskirtį.

CE ATITIKTIES PAREIŠKIMAS

Remiantis bendrais atsakomybės reikalavimais pareiškiamo, jog skyriruje "Techniniai duomenys" aprašytas produktas atitinka visus toliau pateiktų juridinių direktyvų reikalavimus: 2011/65/EU (RoHS), 2014/30/ES, 2006/42/EB ir kitus su jomis susijusius norminius dokumentus:

EN 60745-1:2009 + A11:2010

EN 60745-2-1:2010

EN 60745-2-2:2010

EN 55014-1:2017

EN 55014-2:2015

EN 50581:2012

Winnenden, 2018-04-30

Alexander Krug
Managing Director
Įgaliotas parengti techninius dokumentus.
Techntron Industries GmbH
Max-Eyth-Strasse 10
71364 Winnenden
Germany



AKUMULIATORIAI

Įlgesnį laiką nenaudotus keičiamus akumuliatorius prieš naudojimą įkraukite.

Aukštesnė nei 50°C temperatūra mažina keičiamų akumuliatorių galią. Venkite ilgesnio saulės ar šilumos šaltinių poveikio.

Įkroviklio ir keičiamo akumuliatoriaus jungiamieji kontaktai visada turi būti švarūs.

Pasinaudoję prietaisu, visiškai įkraukite akumuliatorių, kad prietaisas veiktų optimaliai ilgai.

Siekiant užtikrinti kuo įlgesnį baterijos tarnavimo laiką, reikėtų ją po atlikto įkrovimo iškart išimti iš įkroviklio.

Bateriją laikant ilgiau nei 30 dienų, būtina atkreipti dėmesį į šias nuorodas: bateriją laikyti sausoje aplinkoje, esant apie 27 °C temperatūrai. Baterijos įkrovimo lygis turi būti nuo 30% iki 50%. Bateriją pakartotinai turi būti įkraunama kas 6 mėnesius.

APSAUGA NUO AKUMULIATORIAUS PERKROVOS

Perkrovus akumuliatorių dėl itin didelės vartojamos srovės, pvz.: labai didelių apskukų, staigaus stabdymo, trumpo sujungimo ar užsikirtus gražtiui, elektrinis įrankis veikia dar 2 sekundes ir išsijungia automatiškai.

Norint iš naujo įjungti įrankį, reikia atleisti mygtuką ir jį dar kartą įjungti. Dėl ekstremalių apkrovų akumuliatorius gali labai stipriai įkaisti. Tokiu atveju jis išsijungia.

Tada akumuliatorių reikia įkisti į kroviklį, kad jis įsikrautų ir veiktų.

LIČIO JONŲ AKUMULIATORIŲ PERVEŽIMAS

Ličio jonų akumuliatoriams taikomos įstatyminės nuostatos dėl pavojingų krovinių pervežimų.

Šiuos akumuliatorius pervežti būtina laikintis vietiniu, nacionalinių ir tarptautinių direktyvų ir nuostatų.

- Naudotojai šiuos akumuliatorius gali naudoti savo transporte be jokių kitų sąlygų.
- Už komercinį ličio jonų akumuliatorių pervežimą atsako ekspedicijos įmonė pagal nuostatas dėl pavojingų krovinių pervežimo. Pasiruošimo išsiųsti ir pervežimo darbus gali atlikti tik atitinkamai išmokyti asmenys. Visas procesas privalo būti prižiūrimas.

Pervežant akumuliatorius būtina laikytis šių punktų:

- Siekiant išvengti trumpųjų jungimų, įsitikinkite, kad kontaktai yra apsaugoti ir izoliuoti.
- Atkreipkite dėmesį, kad akumuliatorius pakotės viduje neslidinėtų.
- Draudžiama pervežti pažeistus arba tekančius akumuliatorius.

Dėl detalesnių nurodymų kreipkitės į savo ekspedicijos įmonę.

TECHNINIS APARTAVIMAS

Naudokite tik „Milwaukee“ priedus ir „Milwaukee“ atsargines dalis. Dalis, kurių keitimas neaprašytas, leidžiama keisti tik „Milwaukee“ klientų aptarnavimo skyriams (žr. garantiją/klientų aptarnavimo skyrių adresus brošiūroje).

Esant poreikiui, nurodžius mašinos modelį ir šešiaženklį numerį, esantį ant specifikacijų lentelės, klientų aptarnavimo centre arba tiesiogiai „Techntron Industries GmbH“, Max-Eyth-Str. 10, 71364 Winnenden, Vokietija, galite užsakyti išplėstinį prietaiso brėžinį.

SIMBOLIAI

	DĖMESIO! ĮSPĖJIMAS! PAVOJUS!
	Prieš atlikdami bet kokius darbus įrenginyje, išimkite keičiamą akumuliatorių.
	Prieš pradėdami dirbti su prietaisu, atidžiai perskaitykite jo naudojimo instrukciją.
	Elektros prietaisų, baterijų/akumuliatorių šalinti kartu su buitinėmis atliekomis negalima. Elektros prietaisus ir akumuliatorius reikia surinkti atskirai ir atiduoti perdirbimo įmonei, kad būtų pašalinti aplinkai saugiu būdu. Vietos valdžios institucijose arba specializuotose prekybos vietose pasidomėkite apie perdirbimo ir surinkimo centrus.
n_h	Sūkių skaičius laisva eiga
V	Įtampa
	Nuolatinė srovė
	Europos atitikties ženklas
	Ukrainos atitikties ženklas
	Eurazijos atitikties ženklas

TEHNILISED ANDMED	JUHTMETA LÖÖKPUUR	M18 BLDD2	M18 BLPD2
Tootmisnumber		4691 61 01	4691 72 01
		..000001-999999	..000001-999999
Puurimisläbimõõt terases		13 mm	13 mm
Puuri ϕ puidus			
flat bit		32 mm	32 mm
spiraalpuuriga		26 mm	26 mm
augusaega		89 mm	89 mm
isepuuriva puuriga		65 mm	65 mm
Puuri ϕ tellistes ja silikaatkiivides		16 mm	16 mm
Puidukruvid (eelpuurimiseta)		6 mm	6 mm
Pöörlemiskiirus tühijooksul 1. käigul		0-550 min ⁻¹	0-550 min ⁻¹
Pöörlemiskiirus tühijooksul 2. käigul		0-1800 min ⁻¹	0-1800 min ⁻¹
Löökide arv 1. käigul		min ⁻¹	0-8800 min ⁻¹
Löökide arv 2. käigul		min ⁻¹	0-28800 min ⁻¹
Pöördemoment (5,0 Ah)		82 Nm	82 Nm
Vahetatava aku pingeline		18 V	18 V
Puuripadrundi pingutusvahemik		1,5-13 mm	1,5-13 mm
Kaal vastavalt EPTA-protseduurile 01/2014 (2,0 Ah)		1,74 kg	1,79 kg
Kaal vastavalt EPTA-protseduurile 01/2014 (5,0 Ah)		2,02 kg	2,07 kg
Soovitulik ümbritsev temperatuur töötamise ajal		-18...+50 °C	
Soovitulikud akutüübid		M18B...M18HB	
Soovitulik laadija		M12-18C, M12-18AC, M12-18FC, M1418C6	

Müra/vibratsiooni andmed

Mööteväärtused on kindlaks tehtud vastavalt normile EN 60745.

Seadme A-filtriiga hinnatud helirõhutase on tüüpiliselt

Helirõhutase (Määramatus K=3dB(A))	80 dB (A)	92 dB (A)
Helivõimsuse tase (Määramatus K=3dB(A))	91 dB (A)	103 dB (A)

Kandke kaitseks kõrvaklappe!

Vibratsiooni koguväärtus (kolme suuna vektorsumma) mõõdetud EN 60745 järgi.

Vibratsiooni emissiooni väärtus $a_{h,D}$

Betooni löökpuurimine $a_{h,D}$		11,85 m/s ²
Määramatus K=		1,5 m/s ²
Metalli puurimine I $a_{h,D}$	1,86 m/s ²	1,86 m/s ²
Määramatus K=	1,5 m/s ²	1,5 m/s ²
Kruvimine $a_{h,D}$	2,18 m/s ²	2,18 m/s ²
Määramatus K=	1,5 m/s ²	1,5 m/s ²

TÄHELEPANU

Antud juhendis toodud võnketase on mõõdetud EN 60745 standardile vastava mõõtesüsteemiga ning seda võib kasutada erinevate elektriseadmete omavahelise võrdlemiseks. Antud näitaja sobib ka esmaseks võnkekoormuse hindamiseks.

Antud võnketase kehtib elektriseadme kasutamisel sihtotstarbelselt. Kui elektriseadet kasutatakse muudel otstarvetel, muude tööriistadega või seda ei hooldata piisavalt võib võnketase siintoodust erineda. Eeltoodu võib võnketaset märkimisväärselt tõsta terves töökasutuskonnas.

Võnketaseme täpsuseks hindamiseks tuleks arvestada ka Milwaukeea, mil seade on välja lülitatud või on küll sisse lülitatud, kuid ei ole otseselt kasutuses. See võib märgatavalt vähendada kogu töökasutuskonna võnketaset.

Rakendage spetsiaalseid ettevaatusabinõusid töötajate suhtes, kes puutuvad töö käigus palju kokku vibratsiooniga. Nendeks abinõudeks võivad olla, näiteks: elektri- ja tööseadmete korraline hooldus, käte soojendamine, töövoo parem organiseerimine.

⚠ TÄHELEPANU! Kõik selle elektrilise tööriistaga kaasasolevad ohutusnõuded, juhised, joonised ja spetsifikatsioonid tuleb läbi lugeda. Kõigi alpool loetletud juhiste eiramise tagajärjeks võib olla elektrilööki, tulekahju ja/või rasked vigastused. Hoidke kõik ohutusnõuded ja juhised edasiseks kasutamiseks hoolikalt alles.

⚠ PUURMASINATE OHUTUSJUHISED

Kandke löökpuurimisel kuulmekaitset. Müra toime võib põhjustada kuulmiskadu.

Kasutage seadmega koos tarnitud lisakäepidemeid. Kontrolli kaotamine võib põhjustada vigastusi.

Tööde puhul, kus löökseade võib minna vastu peidetud elektrijuhtmeid või seadme enda toitejuhet, hoidke kinni seadme isoleeritud käepidemetest.

Kokkupuude pingestatud juhtmega võib pingestada ka löökseadme metallist osad ning põhjustada elektrilöögi.

Ärge kunagi kasutage suuremat pöördekiirust, kui puuri otsale maksimaalselt on ette nähtud. Lubatust suuremal kiirusel pööreldes võib puuri ots painduda, kui see pöörleb toorikuga kokku puutumata, mis omakorda võib põhjustada vigastusi.

Alustage alati madalal pöördekiirusel ja nii, et puuri ots puutub toorikuga kokku. Lubatust suuremal kiirusel pööreldes võib puuri ots painduda, kui see pöörleb toorikuga kokku puutumata, mis omakorda võib põhjustada vigastusi.

Alati vajutage puuri otsale peale otse ja ärge suruge liiga tugevasti. Puuri otsad võivad painduda ja murduda või kaob kontroll seadme üle, mis omakorda võib põhjustada vigastusi.

⚠ KRUVITSATE OHUTUSJUHISED

Hoidke käed seadme isoleeritud käepidemedel, kui Te teostate töid, mille juures kruvi võib sattuda varjatud voolujuhtmetele. Kruvi kontakt pinget juhtiva juhtmega võib panna metallist seadme osad pingele alla ja põhjustada elektrilöögi.

EDASISED OHUTUS- JA TÖÖJUHISED

Kasutada kaitsevarustust. Masinaga töötamisel kanda alati kaitseprille. Kaitseriietusena soovitatakse kasutada tolmutumaski kaitsekindaid, kinniseid ja libisemisvastase tallaga jalanõusid, kilmviti ja kuulmisteede kaitset. Töö ajal tekkinud tolm on sageli tervistkahjustav ning ei tohiks sattuda organismi. Kanda sobivat kaitsemaski.

Töödel ei tohi materjale, millest lähtub oht tervisele (nt asbest).

Palun lülitage seade rakendustööriista blokeerumise korral kohe välja! Ärge lülitage seadet sisse tagasi, kuni rakendustööriist on blokeeritud; seejuures võib kõrge reaktsioonimomendiga tagasilööki tekkida. Tehke ohutusjuhiseid arvesse võttes kindlaks ja kõrvaldage rakendustööriista blokeerumise põhjus.

Selle võimalikeks põhjusteks võivad olla:

- viltu asetumine töödeldavas toorikus
- töödeldava materjali läbimurdumine
- elektritööriista ülekoormamine

Ärge sisestage jäsemeid töötavasse masinasse.

Rakendustööriist võib kasutamise ajal kuumaks minna.

TÄHELEPANU! Põletusohu

- tööriista vahetamisel
- seadme ärapanemisel

Puru ega pilpaid ei tohi eemaldada masina töötamise ajal.

Seina, lae või põranda tööde puhul pidage silmas elektrijuhtmeid, gaasi- ja veetorusid.

Kinnitage toorik kinnipingutusseadisega. Kinnitamata toorikud võivad raskeid vigastusi ja kahjustusi põhjustada.

Enne kõiki töid masina kallal võtke vahetatav aku välja.

Ärge visake tarvitatud vahetatavaid akusid tulle ega olmeprügisse. Milwaukee pakub vanade akude keskkonnahoidlikku käitlust; palun küsige oma erialaselt tarnijalt.

Ärge säilitage vahetatavaid akusid koos metalliesemetega (lühiseoht).

Laadige süsteemi M18 vahetatavaid akusid ainult süsteemi M18 laadijatega. Ärge laadige nendega teiste süsteemide akusid.

Ärge avage vahetatavaid akusid ega laadijaid ning ladustage neid ainult kuivades ruumides. Kaitske niiskuse eest.

Äärmuslikul koormusel või äärmuslikul temperatuuril võib kahjustatud vahetatavast akust akuvedelik välja voolata. Akuvedelikuga kokkupuutumisel korral peske koha vee ja seebiga. Silma sattumise korral loputage kiiresti põhjalikult vähemalt 10 minutit ning pöörduge viivitamatult arsti poole.

KASUTAGE ALATI LISAKÄEPIDET, kui kasutusel on 9,0 Ah või suurema võimsusega aku; mõningate elektritööriistade pöördemoment võib suurendada. Juhul kui Teie trel või lööktrell on saadetud ilma lisakäepidemeta, kasutage palun lisakäepideme tagavaraosa (vt elektritööriista koostajoonist).

Ärge sisestage lõiketera, kul masin töötab ja lüliti pole lukustatud. Pöörlev lõiketera võib kasutajat vigastada.

Hoiatus! Lühisest põhjustatud tuleohtu, vigastuste või toote kahjustuste vältimiseks ärge kastke tööriista, vahetusakut ega laadimiseadet vedelikku ning jälgige, et vedelikke ei tungiks seadmetesse ega akusse. Korrodeeruvad või elektrit juhtivad vedelikud, nagu soolvesi, teatud kemikaalid ja pleegitusained või pleegitusaineid sisaldavad tooted, võivad põhjustada lühisid.

KASUTAMINE VASTAVALT OTSTARBELE

Elektroonilist akulööktrell-kruvikeerajat saab sõltumata võrguühendusest universaalselt rakendada puurimiseks, lõokpuurimiseks ja kruvide keeramiseks.

Antud seadet tohib kasutada ainult vastavalt äranäidatud otstarbele.

EÜ VASTAVUSAVALDUS

Me deklareerime ainuiskuliselt vastutades, et lõigus "Tehnilised andmed" kirjeldatud toode vastab direktiivide 2011/65/EU (RoHS), 2014/30/EU, 2006/42/EU kõigile olulisele tähtsusega eeskirjadele ning järgmistele harmoniseeritud normatiivsetele dokumentidele:

EN 60745-1:2009 + A11:2010

EN 60745-2-1:2010

EN 60745-2-2:2010

EN 55014-1:2017

EN 55014-2:2015

EN 50581:2012

Winnenden, 2018-04-30



Alexander Krug
Managing Director

On volitatud koostama tehnilist dokumentatsiooni.

Technronic Industries GmbH
Max-Eyth-Straße 10
71364 Winnenden
Germany

AKUD

Pikemat Milwaukeea mittekasutatud akusid laadige veel enne kasutamist. Temperatuur üle 50 °C vähendab vahetatava aku tööviimet. Vältige pikemat soojenemist päikese või kütteseadme mõjul.

Hoidke laadija ja vahetatava aku ühenduskontaktid puhtad.

Patreide optimaalse eluea tagamiseks, pärast kasutamist täielikult lae pateride plokki.

Akud tuleks võimalikult pika kasutusea saavutamiseks pärast täislaadimist laadijast välja võtta.

Aku ladustamisel üle 30 päeva:

Ladustage akut kuivas kohas u 27°C juures.

Ladustage akut u 30-50% laetussisendis.

Laadige aku iga 6 kuu tagant täis.

AKU KOORMUSKAITSE

Aku ülekoormamisel kõrge voolutarbimisega, nt puuri blokeerumisel, äkilisel seiskumisel või lühise tekkimisel, vibreerib elektritööriist 2 sekundit ning seejärel lülitub automaatselt välja.

Uuesti sisse lülitamiseks tuleb päästik esmalt vabastada ning seejärel uuesti alla suruda.

Ülisuurel koormusel võib aku kuumeneda kõrgete temperatuurideni. Sellisel juhul lülitub aku välja.

Aku tuleb laadimiseks ja taasaktiveerimiseks sisestada laadimiseadmesse.

LIITIUMIOONAKUDE TRANSPORTIMINE

Liitiumioonakud on allutatud ohtlike ainete transportimisega seonduvatele õigusaktidele.

Nende akude transportimine peab toimuma kohalikest, siseriiklikest ja rahvusvahelistest eeskirjadest ning määrustest kinni pidades.

- Tarbijad tohivad neid akusid edasiste piiranguteta tänaval transportida.
- Liitiumioonakude komerttransport ekspedeerimisettevõtete kaudu on allutatud ohtlike ainete transportimisega seonduvatele õigusaktidele.
- Tame-ettevalmistusi ja transporti tohivad teostada eranditult vastavalt koolitatud isikud. Kogu protsessi tuleb asjatundlikult jälgida.

Akude transportimisel tuleb järgida järgmisi punkte:

- Tehke kindlaks, et kontaktid on lühiste vältimiseks kaitsud ja isoleeritud.
- Pöörake tähelepanu sellele, et akupakk ei saaks pakendis nihkuda.
- Kahjustatud või välja voolanud akusid ei tohi kasutada.

Pöörduge edasiste juhiste saamiseks ekspedeerimisettevõtte poole.

HOOLDUS

Kasutage ainult Milwaukeea tarvikuid ja Milwaukeea tagavaraosi. Detailid, mille väljavahetamist pole kirjeldatud, laske välja vahetada Milwaukeea klienditeeninduspunkti (vaadake brošüüri garantii / klienditeeninduste aadressid).

Vajadusel saab nõuda seadme plahvatusoone võimsussildil oleva masinatüübi ja kuuekohalise numbrilise klienditeeninduspunkti või vahetult firmalt Technronic Industries GmbH, Max-Eyth-Straße 10, 71364 Winnenden, Germany.

SÜMBOLID



ETTEVAATUST! TÄHELEPANU! OHUD!



Enne kõiki töid masina kallal võtke vahetatav aku välja.



Palun lugege enne käiklaskmist kasutamisjuhend hoolikalt läbi.



Elektriseadmeid, patareisid/akusid ei tohi utiliseerida koos majapidamisprügiga. Elektriseadmed ja akud tuleb eraldi kokku koguda ning kõrvaldada keskkonnasõbralikul moel töötlemiskeskusesse. Küsige infot jäätmekäitlusjaamade ja kogumispunktide kohta oma kohalike ametnike või edasimüüja käest.



Pöörlemiskiirus tühijooksul



Pinge



Alalisvool



Euroopa vastavusmärk



Ukraina vastavusmärk



Euraasia vastavusmärk

ТЕХНИЧЕСКИЕ ДАННЫЕ	АКК. УДАРНАЯ ДРЕЛЬ/ШУРУПОВЕРТ	M18 BLDD2	M18 BLPD2
Серийный номер изделия	4691 61 01	4691 72 01	000001-999999
Производительность сверления в стали	13 mm	13 mm	
Производительность сверления в дереве			
с лопата	32 mm	32 mm	
с винтовым сверлом	26 mm	26 mm	
с кольцевой пилой	89 mm	89 mm	
с самоподающим сверлом	65 mm	65 mm	
Производительность сверления в кирпич и кафель			
Шурупы для дерева (без предварительного засверливания)	6 mm	6 mm	
Число оборотов без нагрузки (об/мин) 1-ая передача	0-550 min ⁻¹	0-550 min ⁻¹	
Число оборотов без нагрузки (об/мин) 2-я скорость	0-1800 min ⁻¹	0-1800 min ⁻¹	
Количество ударов в минуту 1-ая передача	min ⁻¹	0-8800 min ⁻¹	
Количество ударов в минуту 2-я скорость	min ⁻¹	0-28800 min ⁻¹	
Момент затяжки (5,0 Ah)	82 Nm		
Вольтаж аккумулятора	18 V	18 V	
Диапазон раскрытия патрона	1,5-13 mm	1,5-13 mm	
Вес согласно процедуре ЕРТА 01/2014 (2,0 Ah)	1,74 kg	1,79 kg	
Вес согласно процедуре ЕРТА 01/2014 (5,0 Ah)	2,02 kg	2,07 kg	
Рекомендованная температура окружающей среды во время работы		-18...+50 °C	
Рекомендованные типы аккумуляторных блоков		M18B...M18HB	
Рекомендованные зарядные устройства		M12-18C, M12-18AC, M12-18FC, M1418C6	

Информация по шумам/вибрации

Значения замерялись в соответствии со стандартом EN 60745.

Обычное низкочастотное звуковое давление, производимое инструментом, составляет

Уровень звукового давления (Небезопасность K=3dB(A))	80 dB (A)	92 dB (A)
Уровень звуковой мощности (Небезопасность K=3dB(A))	91 dB (A)	103 dB (A)

Пользуйтесь приспособлениями для защиты слуха.

Общие значения вибрации (векторная сумма трех направлений) определены в соответствии с EN 60745.

Значение вибрационной эмиссии a_{hD}

Ударное сверление в бетоне a _{hD}		11,85 m/s ²
Небезопасность K=		1,5 m/s ²
Сверление в металле I a _{hD}	1,86 m/s ²	1,86 m/s ²
Небезопасность K=	1,5 m/s ²	1,5 m/s ²
Завинчивание a _{hD}	2,18 m/s ²	2,18 m/s ²
Небезопасность K=	1,5 m/s ²	1,5 m/s ²

ВНИМАНИЕ

Указанный в настоящем руководстве уровень вибрации измерен в соответствии с технологией измерения, установленной стандартом EN 60745 и может использоваться для сравнения электроинструментов друг с другом. Он также подходит для предварительной оценки вибрационной нагрузки.

Указанный уровень вибрации представляет основные виды использования электроинструмента. Но если электроинструмент используется для других целей, используемый инструмент отклоняется от указанного или технического обслуживание было недостаточным, то уровень вибрации может отклоняться от указанного. В этом случае вибрационная нагрузка в течение всего периода работы значительно увеличивается.

Для точной оценки вибрационной нагрузки необходимо также учитывать время, в течение которого прибор отключен или включен, но фактически не используется. В этом случае вибрационная нагрузка в течение всего периода работы может существенно уменьшиться.

Установите дополнительные меры безопасности для защиты пользователя от воздействия вибрации, например: техническое обслуживание электроинструмента и используемого инструмента, поддержание рук в теплом состоянии, организация рабочих процессов.

ВНИМАНИЕ! Ознакомьтесь со всеми предупреждениями относительно безопасного использования, инструкциями, иллюстративным материалом и техническими характеристиками, поставляемыми с этим электроинструментом. Несоблюдение всех нижеследующих инструкций может привести к поражению электрическим током, пожару и/или тяжелым травмам. Сохраняйте эти инструкции и указания для будущего использования.

УКАЗАНИЯ ПО ТЕХНИКЕ БЕЗОПАСНОСТИ ДЛЯ ДРЕЛЕЙ

При ударном сверлении надевайте защитные наушники. Воздействие шума может привести к потере слуха.

Используйте вспомогательные рукоятки, поставляемые вместе с инструментом. Потеря контроля может стать причиной травмы.

Если Вы выполняете работы, при которых режущий инструмент может зацепить скрытую электропроводку или собственный кабель, инструмент следует держать за специально предназначенные для этого изолированные поверхности.

Контакт режущего инструмента с токоведущим проводом может ставить под напряжение металлические части прибора, а также приводить к удару электрическим током.

Никогда не используйте более высокую скорость, чем максимальная скорость, указанная для сверла. На более высоких скоростях сверло может изогнуться, если будет вращаться без контакта с обрабатываемым изделием, что может привести к травме.

Всегда начинайте работу на низкой скорости и когда сверло контактирует с обрабатываемым изделием. На более высоких скоростях сверло может изогнуться, если будет вращаться без контакта с обрабатываемым изделием, что может привести к травме.

Всегда оказывайте давление исключительно вдоль оси сверла и не давите слишком сильно. Сверла могут изгибаться и ломаться или

приводить к потере контроля над устройством, что в свою очередь также может привести к травме.

УКАЗАНИЯ ПО ТЕХНИКЕ БЕЗОПАСНОСТИ ДЛЯ ШУРУПОВЕРТОВ

Если Вы выполняете работы, при которых болт может зацепить скрытую электропроводку, устройство следует держать за специально предназначенные для этого изолированные поверхности. Контакт болта с токоведущим проводом может ставить под напряжение металлические части прибора, а также приводить к удару электрическим током.

ДОПОЛНИТЕЛЬНЫЕ УКАЗАНИЯ ПО БЕЗОПАСНОСТИ И РАБОТЕ

Пользоваться средствами защиты. Работать с инструментом всегда в защитных очках. Рекомендуется спецодежда: пылезащитная маска, защитные перчатки, прочная и нескользящая обувь, каска и наушники.

Пыль, возникающая при работе данным инструментом, может нанести вред здоровью. Не следует допускать её попадания в организм. Надевайте противопылевую респиратор.

Запрещается обрабатывать материалы, которые могут нанести вред здоровью (напр., асбест).

При блокировании используемого инструмента немедленно выключить прибор! Не включайте прибор до тех пор, пока используемый инструмент заблокирован, в противном случае может возникнуть отдача с высоким реактивным моментом. Определите и устраните причину блокирования используемого инструмента с учетом указаний по безопасности.

Возможными причинами могут быть:

- перекос заготовки, подлежащей обработке
- разрушение материала, подлежащего обработке
- перегрузка электроинструмента

Не прикасайтесь к работающему станку.

Используемый инструмент может нагреваться во время применения.

ВНИМАНИЕ! Опасность получения ожога

- при смене инструмента

- при укладывании прибора

Не выбрасывайте опилки и обломки при включенном инструменте.

При работе в стенах, потолках или полу следите за тем, чтобы не повредить электрические кабели или водопроводные трубы.

Зафиксируйте вашу заготовку с помощью зажимного приспособления. Незафиксированные заготовки могут привести к тяжелым травмам и повреждениям.

Выньте аккумулятор из машины перед проведением с ней каких-либо манипуляций. Не выбрасывайте использованные аккумуляторы вместе с домашним мусором и не сжигайте их. Дистрибьюторы компании Milwaukee предлагают восстановление старых аккумуляторов, чтобы защитить окружающую среду.

Не храните аккумуляторы вместе с металлическими предметами во избежание короткого замыкания.

Для зарядки аккумуляторов модели M18 используйте только зарядным устройством M18. Не заряжайте аккумуляторы других систем.

Никогда не вскрывайте аккумуляторы или зарядные устройства и храните их только в сухих помещениях. Следите, чтобы они всегда были сухими.

Аккумуляторная батарея может быть повреждена и дать течь под воздействием чрезмерных температур или повышенной нагрузки. В случае контакта с аккумуляторной кислотой немедленно промойте место контакта мылом и водой. В случае попадания кислоты в глаза промойте глаза в течение 10 минут и немедленно обратитесь за медицинской помощью.

ВСЕГДА ИСПОЛЬЗОВАТЬ ДОПОЛНИТЕЛЬНУЮ РУКОЯТКУ, когда используется аккумулятор емкостью 9,0 Ач или выше; крутящий момент электроинструмента может увеличиться. Если ваша дрель или перфоратор поставляется без дополнительной рукоятки, пожалуйста, используйте запасную часть дополнительной рукоятки (см. сборочный чертеж электроинструмента).

Не вставляйте насадку, когда инструмент работает и кнопка выключателя не заблокирована. Вращающаяся насадка может травмировать пользователя.

Предупреждение! Для предотвращения опасности пожара в результате короткого замыкания, травм и повреждения изделия не опускайте инструмент, сменный аккумулятор или зарядное устройство в жидкости и не допускайте попадания жидкости внутрь устройств или аккумуляторов. Коррозионные и проводящие жидкости, такие как соленый раствор, определенные химикаты, отбеливающие средства или содержащие их продукты, могут привести к короткому замыканию.

ИСПОЛЬЗОВАНИЕ

Электронная ударная дрель/шуруповерт Milwaukee сконструирована для простого сверления, ударного сверления, закручивания шурупов в местах, необеспеченных электропитанием.

Не используйте данным инструментом способом, отличным от указанного для нормального применения.

ДЕКЛАРАЦИЯ О СООТВЕТСТВИИ СТАНДАРТАМ ЕС

Мы заявляем под собственную ответственность, что изделие, описанное в разделе "Технические характеристики", соответствует всем важным предписаниям Директивы 2011/65/EU (Директива об ограничении применения опасных веществ в электрических и электронных приборах), 2014/30/EU, 2006/42/ЕС и приведенным далее гармонизированным нормативным документам:

EN 60745-1:2009 + A11:2010

EN 60745-2-1:2010

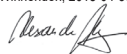
EN 60745-2-2:2010

EN 55014-1:2017

EN 55014-2:2015

EN 50581:2012

Winnenden, 2018-04-30



Alexander Krug
Managing Director



Уполномочен на составление технической документации.

Techtronic Industries GmbH
Max-Eyth-Straße 10
71364 Winnenden
Germany

АККУМУЛЯТОР

Перед использованием аккумулятора, которым не пользовались некоторое время, его необходимо зарядить.

Температура свыше 50°C снижает работоспособность аккумуляторов. Избегайте продолжительного нагрева или прямого солнечного света (риск перегрева). Контакты зарядного устройства и аккумуляторов должны содержаться в чистоте. Чтобы снова зарядить и активировать аккумулятор, подключите его к зарядному устройству.

Для обеспечения оптимального срока службы аккумуляторы необходимо полностью заряжать после использования.

Для достижения максимально возможного срока службы аккумуляторы после зарядки следует вынимать из зарядного устройства.

При хранении аккумулятора более 30 дней:

Храните аккумулятор при 27°C в сухом месте.

Храните аккумулятор с зарядом примерно 30% - 50%.

Каждые 6 месяцев аккумулятор следует заряжать.

ЗАЩИТА АККУМУЛЯТОРА ОТ ПЕРЕГРУЗКИ

При перегрузке аккумулятора из-за очень высокого расхода электроэнергии, напр., предельно высоких крутящих моментов, заклинивания сверла, внезапной остановки или короткого замыкания, электроинструмент гудит 2 секунды и автоматически отключается.

Для повторного включения отпустить кнопку выключателя и затем снова включить.

При предельно высоких нагрузках аккумулятор может сильно нагреться. В этом случае аккумулятор отключится.

ТРАНСПОРТИРОВКА ЛИТИЙ-ИОННЫХ АККУМУЛЯТОРОВ

Литий-ионные аккумуляторы в соответствии с предписаниями закона транспортируются как опасные грузы.

Транспортировка этих аккумуляторов должна осуществляться с соблюдением местных, национальных и международных предписаний и положений.

- Эти аккумуляторы могут перевозиться по улице потребителем без дальнейших обязательств.
- При коммерческой транспортировке литий-ионных аккумуляторов экспедиторскими компаниями действуют положения, касающиеся транспортировки опасных грузов. Подготовка к отправке и транспортировка должны производиться исключительно специально обученными лицами. Весь процесс должен находиться под контролем специалиста.

При транспортировке аккумуляторов необходимо соблюдать следующие пункты:

- Убедитесь, что контакты защищены и изолированы во избежание короткого замыкания.
- Следите за тем, чтобы аккумуляторный блок не соскользнул внутри упаковки.
- Транспортировка поврежденных или протекающих аккумуляторов запрещена.

За дополнительными указаниями обратитесь к своему экспедитору.

ОБСЛУЖИВАНИЕ

Пользуйтесь аксессуарами и запасными частями Milwaukee. В случае возникновения необходимости в замене, которая не была описана, обращайтесь в один из сервисных центров по обслуживанию электроинструментов Milwaukee (см. список сервисных организаций).

При необходимости, у сервисной службы или непосредственно у фирмы Techtronic Industries GmbH, Max-Eyth-Straße 10, 71364, Винненден, Германия, можно запросить сборочный чертеж устройства, сообщив его тип и шестизначный номер, указанный на фирменной табличке.

СИМВОЛЫ



ВНИМАНИЕ! ПРЕДУПРЕЖДЕНИЕ! ОПАСНОСТЬ!



Выньте аккумулятор из машины перед проведением с ней каких-либо манипуляций.



Пожалуйста, внимательно прочтите инструкцию по использованию перед началом любых операций с инструментом.



Электроприборы, батареи/аккумуляторы запрещено утилизировать вместе с бытовым мусором. Электрические приборы и аккумуляторы следует собирать отдельно и сдавать в специализированную компанию для утилизации в соответствии с нормами охраны окружающей среды. Получите в местных органах власти или у вашего специализированного дилера сведения о центрах вторичной переработки и пунктах сбора.



Число оборотов без нагрузки



Вольт пост. тока



Постоянный ток



Европейский знак соответствия



Украинский знак соответствия



Евразийский знак соответствия

ТЕХНИЧЕСКИ ДАННИ АКУМУЛАТОРЕН УДАРЕН ГАЙКОВЕРТ

	M18 BLDD2	M18 BLPD2
Производствен номер.....	4691 61 01..... ..000001-999999	4691 72 01... ..000001-999999
Диаметър на свредлото за стомана.....	13 mm	13 mm
Диаметър на свредлото за дърво		
със пика.....	32 mm	32 mm
със спираловидно свредло.....	26 mm	26 mm
със боркорона.....	89 mm	89 mm
с челно-цилиндричен фрезер.....	65 mm	65 mm
Диаметър на свредлото за обикновени и силикатни тухли.....	16 mm	16 mm
Винтове за дърво (без предварително разпробиване).....	6 mm	6 mm
Обороти на празен ход на 1. скорост.....	0-550 min ⁻¹	0-550 min ⁻¹
Обороти на празен ход на 2. скорост.....	0-1800 min ⁻¹	0-1800 min ⁻¹
Брой на ударите на 1. скорост.....	- min ⁻¹	0-8800 min ⁻¹
Брой на ударите на 2. скорост.....	- min ⁻¹	0-28800 min ⁻¹
Въртящ момент (5,0 Ah).....	82 Nm	82 Nm
Напрежение на акумулатора.....	18 V	18 V
Затегателен участък на патронника.....	1,5-13 mm	1,5-13 mm
Тегло съгласно процедурата ЕРТА 01/2014 (2,0 Ah).....	1,74 kg	1,79 kg
Тегло съгласно процедурата ЕРТА 01/2014 (5,0 Ah).....	2,02 kg	2,07 kg
Препоръчителна околна температура при работа.....	-18...+50 °C	
Препоръчителни видове акумулаторни батерии.....	M18B...M18HB	
Препоръчителни зарядни устройства.....	M12-18C, M12-18AC, M12-18FC, M1418C6	

Информация за шума/вибрациите

Измерените стойности са получени съобразно EN 60745.

Нивото на звуково налягане на уреда в dB (A) обикновено съставлява

Равнище на звуковото налягане (Несигурност K=3dB(A)).....	80 dB (A)	92 dB (A)
Равнище на мощността на звука (Несигурност K=3dB(A)).....	91 dB (A)	103 dB (A)

Да се носи предпазно средство за слуха!

Общите стойности на вибрациите (векторна сума на три посоки) са

определени в съответствие с EN 60745.

Стойност на емисии на вибрациите a_h

Ударно пробиване в бетон a _{hD}	11,85 m/s ²
Несигурност K=.....	1,5 m/s ²
Пробиване на метал l a _{hD}	1,86 m/s ²
Несигурност K=.....	1,5 m/s ²
Завинтване a _h	2,18 m/s ²
Несигурност K=.....	1,5 m/s ²

ВНИМАНИЕ

Посоченото в тези инструкции ниво на вибрациите е измерено в съответствие със стандартизиран в EN 60745 измервателен метод и може да се използва за сравнение на електрически инструменти помежду им. Подходящ е и за временна оценка на вибрационното натоварване.

Посоченото ниво на вибрациите представя основните приложения на електрическия инструмент. Ако обаче електрическият инструмент се използва с друго предназначение, с различни сменяеми инструменти или при недостатъчна техническа поддръжка, нивото на вибрациите може да е различно. Това чувствително може да увеличи вибрационното натоварване по време на целия работен цикъл.

За точната оценка на вибрационното натоварване трябва да се вземат предвид и периодите от време, в които уредът е изключен или работи, но в действителност не се използва. Това чувствително може да намали вибрационното натоварване по време на целия работен цикъл.

Определете допълнителни мерки по техника на безопасност в защита на обслужващия работник от въздействието на вибрациите като например: техническа поддръжка на електрическия инструмент и сменяемите инструменти, поддръжване на ръцете топли, организация на работния цикъл.

⚠ ВНИМАНИЕ! Прочетете всички указания за безопасност, инструкции, илюстрации и спецификации за този електроинструмент. Пропуските при спазване на приведените по-долу указания могат да доведат до токов удар, пожар и/или тежки травми.
Запазете тези инструкции и указания за безопасност за бъдещи справки.

⚠ УКАЗАНИЯ ЗА БЕЗОПАСНОСТ ЗА БОРМАШИНИ

Носете предпазни тапи за ушите при ударното пробиване. Шумът може да доведе до загуба на слуха.

Използвайте доставените с уреда допълнителни ръкохватки. Загубата на контрол може да доведе до наранявания.

Дръжте уреда за изолираните ръкохватки, когато извършвате работи, при които режещият инструмент може да засегне скрити електроинсталационни кабели или собствения си кабел.

Контактът на режещия инструмент с тоководещ проводник може да предаде напрежението върху метални части на уреда и да доведе до токов удар.

Никога не използвайте по-високи обороти от максималните обороти, предвидени за пробивания накрайник. При по-високи обороти накрайникът може да се огъне, когато се върти без контакт с детайла, което може да доведе до наранявания.

Винаги стартирайте с ниски обороти и работете с такива, когато пробиваният накрайник се намира в контакт с детайла. При по-високи обороти накрайникът може да се огъне, когато се върти без контакт с детайла, което може да доведе до наранявания.

Винаги прилагайте натиск само в директна посока към пробивания накрайник и не натискайте прекалено силно. Пробиващите накрайници могат да се огънат и да се счупят, или да причинят загуба на контрол над уреда, поради което да се стигне до наранявания.

⚠ УКАЗАНИЯ ЗА БЕЗОПАСНОСТ ЗА СВРЕДЛА ЗА УДАРНО ПРОБИВАНЕ

Когато извършвате работи, при които болтът може да докосне скрити електрически кабели, дръжте уреда за изолираните ръкохватки. Контактът на болта с тоководещ проводник може да постави метални части на уреда под напрежение и може да Ви хване ток.

ДОПЪЛНИТЕЛНИ УКАЗАНИЯ ЗА РАБОТА И БЕЗОПАСНОСТ

Да се използват предпазни средства. При работа с машината винаги носете предпазни очила. Препоръчват се защитно облекло и прахозащитна маска, защитни ръкавици, здрави и нехлъзгащи се обувки, каска и предпазни средства за слуха.

Прахът, който се образува при работа, често е вреден за здравето и не бива да попада в тялото. Да се носи подходяща прахозащитна маска.
Не е разрешена обработката на материали, които представляват опасност за здравето (напр. азбест).

Ако използваният инструмент блокира, изключете веднага уреда! Не включвайте уреда отново, докато използваният инструмент е блокиран; това би могло да доведе до откат с висока реактивна сила. Открийте и отстранете причината за блокирането на използвания инструмент имайки в предвид инструкциите за безопасност.

Възможните причини за това могат да бъдат:

- Заклинване в обработваната част
- Пробиване на материала
- Пренатоварване на електрическия инструмент

Не бъркайте в машината, докато тя работи.

Използваният инструмент може да загрее по време на употреба.

ВНИМАНИЕ! Опасност от изгаряния

- при смяна на инструмента
- при оставяне на уреда

Стружки или отчупени парчета да не се отстраняват, докато машина работи. При работа в стени, тавани или подове внимавайте за кабели, газопроводи и водопроводи.

Закрепете обработваната част с устройство за захващане. Незакрепени части за обработка могат да причинят сериозни наранявания и материални щети.

Преди започване на каквито е да работи по машината извадете акумулатора. Не извършвайте изхвърляне акумулатори в огъня или в при битовите отпадъци. Milwaukee предлага екологосъобразно събиране на старите акумулатори; моля ползвайте Вашия специализиран търговец.

Не съхранявайте акумулаторите заедно с метални предмети (опасност от късо съединение).

Акумулатори от системата M18 да се зареждат само със зарядни устройства от системата M18 laden. Да не се зареждат акумулатори от други системи.

Не отваряйте акумулатори и зарядни устройства и ги съхранявайте само в сухи помещения. Пазете ги от влага.

При екстремно натоварване или екстремна температура от повредени акумулатори може да изтече батерийна течност. При допир с такава течност веднага измийте с вода и сапун. При контакт с очите веднага изплаквайте старателно най-малко 10 минути и незабавно потърсете лекар.

ВИНАГИ ИЗПОЛЗАВАЙТЕ ДОПЪЛНИТЕЛНА РЪКОХВАТКА, ако използвате акумулаторна батерия с капацитет 9,0Ah или по-висок; въртящият момент на някои електроинструменти може да се повиши. Ако бормашината или ударната бормашина е доставена без допълнителна ръкохватка, използвайте резервната част на допълнителна ръкохватка (вижте техническия чертеж на електроинструмента).

Не поставяйте бит, когато машината работи и задействащият превключвател не е блокиран. Въртящият се бит може да нарани потребителя.

Предупреждение! За да избегнете опасността от пожар, предизвикана от късо съединение, както и нараняванията и повредите на продукта, не потапяйте инструмента, сменяемата акумулаторна батерия или зарядното устройство в течности и се погрижете в уредите и акумулаторните батерии да не попадат течности. Течности, предизвикващи корозия или провеждащи електричество, като солена вода, определени химикали, изоблежавщи вещества или продукти, съдържащи изоблежавщи вещества, могат да предизвикат късо съединение.

ИЗПОЛЗВАНЕ ПО ПРЕДНАЗНАЧЕНИЕ

Акумулаторният ударен пробивен винтоверт с електронно управление може универсално да се използва за пробиване, ударно пробиване и завинтване на винтове, като не зависи от захранване от мрежата.

Този уред може да се използва по предназначение само както е посочено.

СЕ - ДЕКЛАРАЦИЯ ЗА СЪОТВЕТСТВИЕ

Заявяваме под собствена отговорност, че описаният в "Технически данни" продукт съответства на всички важни разпоредби на директива 2011/65/EU (RoHS), 2014/30/EU, 2006/42/EO, както и на всички следващи нормативни документи във тази връзка.

EN 60745-1:2009 + A11:2010

EN 60745-2-1:2010

EN 60745-2-2:2010

EN 55014-1:2017

EN 55014-2:2015

EN 50581:2012

Winnenden, 2018-04-30

Alexander Krug
Managing Director

Упълномощен за съставяне на техническата документация
Techtronic Industries GmbH
Max-Eyth-Straße 10
71364 Winnenden
Germany



АКУМУЛАТОРИ

Акумулатори, които не са ползвани по-дълго време, преди употреба да се дозаредят.

Температура над 50°C намалява мощността на акумулатора. Да се избягва по-продължително нагряване на слънце или от отопление.

Поддържайте чисти присъединителните контакти на зарядното устройство и на акумулатора.

С цел оптимална продължителност на живот след употреба батериите трябва да бъдат заредени напълно.

За възможно по-дълга продължителност на живот батериите трябва да се изваждат от уреда след зареждане.

При съхранение на батериите за повече от 30 дни: съхранявайте батерията при прибл. 27°C и на сухо място. Съхранявайте батерията при 30 до 50 % от зареда. Зареждайте батерията на всеки 6 месеца.

ЗАЩИТА ОТ ПРЕТОВАРВАНЕ НА БАТЕРИЯТА

При претоварване на акумулатора поради много висока консумация на ток, напр. много високи въртящи моменти, закланване на свредлото, внезапен стоп или късо съединение, електрическият инструмент бръчи 2 секунди и самостоятелно се изключва.

За ново включване освободете бутона за включване и отново го включете.

При извънредни натоварвания акумулаторът може да се нагрее силно. В този случай акумулаторът изключва.

Тогава акумулаторът да се включи към зарядното устройство, за да се дозареди и активира.

ПРЕВОЗ НА ЛИТИЕВО-ИОННИ БАТЕРИИ

Литиево-ионните батерии са предмет на законите разпоредби за превоз на опасни товари.

Превозът на тези батерии трябва да се извършва в съответствие с местните, националните и международните разпоредби и регламенти.

Потребителите могат да превозват тези батерии по пътя без допълнителни изисквания.

Превозът на литиево-ионни батерии от транспортни компании е предмет на законите разпоредбите за превоз на опасни товари. Подготовката на превоза и самият превоз трябва да се извършват само от обучени лица. Целият процес трябва да е под професионален надзор.

Спазвайте следните изисквания при превоз на батерии:

- Уверете се, че контактите са защитени и изолирани, за да се избегне късо съединение.
- Уверете се, че няма опасност от разместване на батерията в опаковката.
- Не превозвайте повредени батерии или такива с течове.

Обърнете се към Вашата транспортна компания за допълнителни инструкции.

ПОДДРЪЖКА

Да се използва само аксесоари на Milwaukee и резервни части на Milwaukee. Елементи, чията подмяна не е описана, да се дадат за подмяна в сервиз на Milwaukee (вижте брошурата "Гаранция и адреси на сервизи").

При необходимост можете да поискате схема на елементите на уреда при посочване на обозначение на машината и шестцифрения номер на табелката за технически данни от Вашия сервиз или директно на Techtronic Industries GmbH, Max-Eyth-Straße 10, 71364 Winnenden, Германия.

СИМВОЛИ

	ВНИМАНИЕ! ПРЕДУПРЕЖДЕНИЕ! ОПАСНОСТ
	Преди започване на каквито е да работи по машината извадете акумулатора.
	Преди пускане на уреда в действие моля прочетете внимателно инструкцията за използване.
	Електрическите уреди, батерии/акумулаторни батерии не трябва да се изхвърлят заедно с битовите отпадъци. Електрическите уреди и акумулаторни батерии трябва да се събират отделно и да се предават на службите за рециклиране на отпадъците според изискванията за опазване на околната среда. Информирайте се при местните служби или при местните специализирани търговци относно местата за събиране и центровете за рециклиране на отпадъци.
n	Обороти на празен ход
V	Напрежение
	Постоянен ток
	Европейски знак за съответствие
	Украински знак за съответствие
	Евро-азиатски знак за съответствие

DATE TEHNICE MAȘINĂ DE GĂURIT/ ÎNȘURUBAT COMPACTĂ CU ACUMULATOR	M18 BLDD2	M18 BLPD2
Număr producție.....	4691 61 01.....	4691 72 01.....
	..000001-999999	..000001-999999
Capacitate de găurire în oțel.....	13 mm	13 mm
Capacitate de găurire în lemn		
cu flat bit.....	32 mm	32 mm
cu burghiu elicoidal.....	26 mm	26 mm
cu ferăstrău cu coroană.....	89 mm	89 mm
cu burghiu cu vârf filetat pentru avans automat.....	65 mm	65 mm
Capacitate de perforare în ceramică și țiglă.....	16 mm	16 mm
Suruburi pt. lemn (fără pregăurire).....	6 mm	6 mm
Viteza de mers în gol, prima treaptă de putere.....	0-550 min ⁻¹	0-550 min ⁻¹
Viteza de mers în gol, a 2-a treaptă.....	0-1800 min ⁻¹	0-1800 min ⁻¹
Rata de impact, prima treaptă de putere.....	min ⁻¹	0-8800 min ⁻¹
Rata de impact, a 2-a treaptă.....	min ⁻¹	0-28800 min ⁻¹
Cuplu (5,0 Ah).....	82 Nm	82 Nm
Tensiune acumulator.....	18 V	18 V
Interval de deschidere burghiu.....	1,5-13 mm	1,5-13 mm
Greutatea conform „EPTA procedure 01/2014” (2,0 Ah).....	1,74 kg	1,79 kg
Greutatea conform „EPTA procedure 01/2014” (5,0 Ah).....	2,02 kg	2,07 kg
Temperatura ambiantă recomandată la efectuarea lucrărilor.....	-18...+50 °C	
Acumulatori recomandați.....	M18B...M18HB	
Încărcătoare recomandate.....	M12-18C, M12-18AC, M12-18FC, M1418C6	

Informație privind zgomotul/vibrațiile

Valori măsurate determinate conform EN 60745.

Valoarea reală A a nivelului presiunii sonore a sculei este :

Nivelul presiunii sonore (Nesiguranță K=3dB(A)).....	80 dB (A)	92 dB (A)
Nivelul sunetului (Nesiguranță K=3dB(A)).....	91 dB (A)	103 dB (A)

Purtați căști de protecție

Valorile totale de oscilație (suma vectorială pe trei direcții) determinate conform normei EN 60745.

Valoarea emisiei de oscilații a_h

Găurit cu percuție în beton a _{h,1D}	11,85 m/s ²
Nesiguranță K=.....	1,5 m/s ²
Găurit în metal I a _{h,1D}	1,86 m/s ²
Nesiguranță K=.....	1,5 m/s ²
Înșurubare a _h	2,18 m/s ²
Nesiguranță K=.....	1,5 m/s ²

AVERTISMENT

Gradul de oscilație indicat în prezentele instrucțiuni a fost măsurat în conformitate cu o procedură de măsurare normată prin norma EN 60745 și poate fi folosit pentru a compara unelte electrice între ele. El se pretează și pentru o evaluare provizorie a solicitării la oscilații.

Gradul de oscilație indicat reprezintă aplicațiile principale ale uneltelor electrice. În cazul în care însă unelte electrice au fost folosite pentru alte aplicații, ori au fost folosite unelte de muncă diferite ori acestea nu au fost supuse unei suficiente inspecții de întreținere, gradul de oscilație poate fi diferit. Acest fapt poate duce la o creștere netă a solicitărilor la oscilații dealungul întregii perioade de lucru.

În scopul unei evaluări exacte a solicitării la oscilații, urmează să fie luate în considerație și perioadele de timp în care aparatul a fost oprit ori funcționează dar, în realitate, el nu este folosit în mod practic. Acest fapt poate duce la o reducere netă a solicitărilor la oscilații dealungul întregii perioade de lucru.

Stabilități măsurii de siguranță suplimentare în scopul protecției utilizatorului de efectele oscilațiilor, de exemplu: inspecție de întreținere a uneltelor electrice și a celor de muncă, păstrarea caldă a mâinilor, organizarea proceselor de muncă.

⚠️ AVERTISMENT A se citi toate avertismentele, instrucțiunile, ilustrațiile și specificațiile privind siguranța furnizate cu această unealtă electrică.

Nerespectarea tuturor instrucțiunilor listate mai jos poate cauza șocuri electrice, incendii și/sau vătămări corporale grave.

Păstrați toate indicațiile de avertizare și instrucțiunile în vederea utilizărilor viitoare.

⚠️ INSTRUCȚIUNI DE SIGURANȚĂ PENTRU MAȘINILE DE GĂURIT

La găurirea cu percuție purtați echipament de protecție pentru auz. Expunerea la zgomot poate duce la pierderea auzului.

Utilizați manerale auxiliare livrate cu scula. Pierderea controlului poate provoca rănirea persoanelor.

Țineți aparatul de mânerle izolate când executați lucrări la care scula tăietoare poate nimeri peste conductori electrici ascunși sau peste cablul propriu.

Intrarea în contact a sculei tăietoare cu o linie electrică prin care circulă curent poate pune sub tensiune și componente metalice ale aparatului și să ducă la electrocutare.

Nu utilizați niciodată o turație mai mare decât turația maximă indicată pentru burghiu. La turații mai mari, burghiul se poate îndoi când se rotește fără contact cu piesa, ceea ce poate duce la accidentări.

Începeți întotdeauna cu o turație mică și în timp ce burghiul se află în contact cu piesa. La turații mai mari, burghiul se poate îndoi când se rotește fără contact cu piesa, ceea ce poate duce la accidentări.

Exercițiți întotdeauna presiune numai direct pe burghiu și nu apăsați prea tare. Burghiile se pot îndoi și se pot rupe sau pot conduce la pierderea controlului asupra aparatului, ceea ce poate antrena accidentări.

⚠️ INSTRUCȚIUNI DE SIGURANȚĂ PENTRU MAȘINILE DE ÎNȘURUBAT

Țineți aparatul de mânerle izolate atunci când executați lucrări la care șurubul ar putea atinge cabluri de curent ascunse. Contactul șurubului cu un conductor prin care circulă curentul electric poate pune sub tensiune componente metalice ale aparatului, provocând electrocutare.

INSTRUCȚIUNI SUPPLEMENTARE DE SIGURANȚĂ ȘI DE LUCRU

Folosiți echipament de protecție. Purtați întotdeauna ochelari de protecție când lucrați cu mașina. Se recomandă utilizarea hainelor de protecție ca de ex. Măști contra prafului, mănuși de protecție, încălțăminte stabilă nealunecoasă, cască și apărătoare de urechi.

Praful care apare când se lucrează cu această sculă poate fi dăunător sănătății și prin urmare nu trebuie să atingă corpul. Purtați o mască de protecție corespunzătoare împotriva prafului.

Nu se admite prelucrarea unui material care poate pune în pericol sănătatea operatorului (de exemplu azbestul).

La blocarea sculei demontabile vă rugăm să deconectați imediat aparatul! Nu conectați aparatul atâta timp cât scula demontabilă este blocată; dacă o faceți, s-ar putea să se producă un recul cu un cuplu mare de reacție. Găsiți și remediați cauza de blocare a sculei demontabile respectând indicațiile pentru siguranță.

Cauzele posibile pot fi:

- Agățarea în piesa de prelucrat
- Strângerea materialului de prelucrat
- Suprasolicitarea sculei electrice

Nu atingeți părțile mașinii aflate în rotație.

Scula introdusă poate să devină fierbinte în timpul utilizării.

AVERTISMENT! Pericol de arsuri

- la schimbarea sculei
- la depunerea aparatului

Rumegeșul și spanul nu trebuie îndepărtate în timpul funcționării mașinii.

Când se încrează pe pereți, tavan sau dușumea, aveți grijă să evitați cablurile electrice și țevile de gaz sau de apă.
Asigurați piesa de prelucrat cu un dispozitiv de fixare. Piesele neasigurate pot provoca accidentări grave și stricăciuni.

Îndepărtați acumulatorul înainte de începerea lucrului pe mașina
Nu aruncați acumulatorii uzați la containerul de reziduri menajere și nu îi ardeți.
Milwaukee Distributors se oferă să recupereze acumulatorii vechi pentru protecția mediului înconjurător.

Nu depozitați acumulatorul împreună cu obiecte metalice (risc de scurtcircuit)
Folosiți numai încălțările System M18 pentru încărcarea acumulatorilor System M18. Nu folosiți acumulatori din alte sisteme.
Nu deschideți niciodată acumulatorii și încălțările și pastrați-le numai în încăperi uscate. Pastrați-le întotdeauna uscate.

Acidul se poate scurge din acumulatorii deteriorați la încălziri sau temperaturi extreme. În caz de contact cu acidul din acumulator, spălați imediat cu apă și săpun. În caz de contact cu ochii, clătiți cu atenție timp de cel puțin 10 minute și apelați imediat la îngrijire medicală.

UTILIZAȚI ÎNTOATEAUNA UN MĂNER SUPPLEMENTAR când se folosește un acumulator cu capacitate de 9,0 Ah sau mai mare; momentul de rotație al anurilor scule electrice se poate mări. Dacă mașina dvs. de înșurubat sau mașina de înșurubat cu percuție a fost livrată fără mâner suplimentar, vă rugăm să folosiți mânerul suplimentar de schimb (vezi desenul explodat al sculei electrice).

Nu introduceți capul de surubelniță în timpul funcționării mașinii, cu butonul întrerupător nezăvorât. Capul de șurubelniță aflat în rotație poate cauza rănirea utilizatorului.

Avertizare! Pentru a reduce pericolul unui incendiu și evitarea rănirilor sau deteriorarea produsului în urma unui scurtcircuit nu imersați scula, acumulatorul de schimb sau încărcătorul în lichide și asigurați-vă să nu pătrundă lichide în aparate și acumulatori. Lichidele corosive sau cu conductibilitate, precum apa sărată, anumite substanțe chimice și înalbitori sau produse ce conțin înalbitori, pot provoca un scurtcircuit.

CONDIȚII DE UTILIZARE SPECIFICATE

Mașina electronică de găurit / de înșurubat, cu percuție cu acumulator este destinată găuririi, percutante precum și înșurubării, la utilizare independentă de la surse de alimentare.

Nu utilizați acest produs în alt mod decât cel stabilit pentru utilizare normală

DECLARAȚIE DE CONFORMITATE

Declarăm pe propria răspundere că produsul descris la "Date tehnice" este în concordanță cu toate prevederile legale relevante ale Directivei 2011/65/EU (RoHS), 2014/30/UE, 2006/42/CE și cu următoarele norme armonizate:

EN 60745-1:2009 + A11:2010

EN 60745-2-1:2010

EN 60745-2-2:2010

EN 55014-1:2017

EN 55014-2:2015

EN 50581:2012

Winnenden, 2018-04-30



Alexander Krug
Managing Director
Împunemtic să elaboreze documentația tehnică.
Techtronic Industries GmbH
Max-Eyth-Straße 10
71364 Winnenden
Germany



ACUMULATORI

Acumulatorii care nu au fost utilizați o perioadă de timp trebuie reîncărcați înainte de utilizare.

Temperatura mai mare de 50°C (122°F) reduce performanța acumulatorului. Evitați expunerea prelungită la căldură sau radiație solară (risc de supraîncălzire)
Contactele încălțătoarelor și acumulatorilor trebuie păstrate curate.

Pentru o durabilitate optimă, acumulatorii trebuie reîncărcați complet după folosire.
Pentru o durată de viață cât mai lungă, acumulatorii ar trebui scoși din încărcător după încărcare.

La depozitarea acumulatorilor mai mult de 30 zile:
Acumulatorii se depozitează la cca. 27°C și la loc uscat.
Acumulatorii se depozitează la nivelul de încărcare de cca. 30%-50%.
Acumulatorii se încarcă din nou la fiecare 6 luni.

PROTECȚIE SUPRAÎNCĂRCARE ACUMULATOR

În caz de supraîncărcare a acumulatorului prin consum foarte ridicat de curent, de ex. cupluri mecanice extrem de mari, înțepenirea burghiului, întrerupere bruscă sau scurtcircuit, unealta electrică produce timp de 2 secunde un zgomot înfundat, după care se decuplează de la sine.

În vederea recuperării, dați drumul butonului de comutare, iar apoi efectuați o nouă cuplare.

În condiții de încărcări extreme, acumulatorul se poate încălzi peste măsură. În acest caz, acumulatorul se decuplează.

Pentru a-l reîncărca și activa, puneți acumulatorul în în aparatul de încărcare.

TRANSPORTUL ACUMULATORILOR CU IONI DE LITIU

Acumulatorii cu ioni de litiu cad sub incidența prescripțiilor legale pentru transportul de mărfuri periculoase.

Transportul acestor acumulatori trebuie să se efectueze cu respectarea prescripțiilor și reglementărilor pe plan local, național și internațional.

- Consumatorilor le este permis transportul rutier nerestricționat al acestui tip de acumulatori.
- Transportul comercial al acumulatorilor cu ioni de litiu prin intermediul firmelor de expediție și transport este supus reglementărilor transportului de mărfuri periculoase. Pregătirile pentru expediție și transportul au voie să fie efectuate numai de către personal instruit corespunzător. Intregul proces trebuie asistat în mod competent.

Următoarele puncte trebuie avute în vedere la transportul acumulatorilor:

- Pentru a se evita scurtcircuitul, asigurați-vă de faptul că sunt protejate și izolate contactele.
- Aveți grijă ca pachetul de acumulatori să nu poată aluneca în altă poziție în interiorul ambalajului său.
- Este interzis transportarea unor acumulatori deteriorați sau care pierd lichid.

Pentru indicații suplimentare adresați-vă firmei de expediție și transport cu care colaborați.

INTRETINERE

Utilizați numai accesorii și piese de schimb Milwaukee. Dacă unele din componente care nu au fost descrise trebuie înlocuite, vă rugăm contactați unul din agenții de service Milwaukee (vezi lista noastră pentru service / garanție)

Dacă este necesar, puteți solicita de la centrul dvs. de service pentru clienți sau direct la Techtronic Industries GmbH, Max-Eyth-Straße 10, 71364 Winnenden, Germania un desen descompus al aparatului prin indicarea tipului de aparat și a numărului cu șase cifre de pe tăblița indicatoare.

SIMBOLURI



PERICOL! AVERTIZARE! ATENȚIE!



Îndepărtați acumulatorul înainte de începerea lucrului pe mașina



Vă rugăm citiți cu atenție instrucțiunile înainte de pornirea mașinii



Aparatele electrice, bateriile/acumulatorii nu se elimină împreună cu deșeurile menajere.
Aparatele electrice și acumulatorii se colectează separat și se predau la un centru de reciclare, în vederea eliminării ecologice.
Informați-vă de la autoritățile locale sau de la comercianții acreditați în legătură cu centrele de reciclare și de colectare.



Viteza de mers în gol



Tensiune



Curent continuu



Marcă de conformitate europeană



Marcă de conformitate ucraineană



Marcă de conformitate eurasiatică

ТЕХНИЧКИ ПОДАТОЦИ	УДАРНА ДУПЧАЛКА НА БАТЕРИИ	M18 BLDD2	M18 BLPD2
Произведен број.....		4691 61 01.....	4691 72 01.....
		..000001-999999	..000001-999999
Капацитет на дупчење во челик.....		13 mm	13 mm
Капацитет на дупчење во дрво			
со лопата.....		32 mm	32 mm
со спирална бургија.....		26 mm	26 mm
со пила за кружни отвори		89 mm	89 mm
со фреза.....		65 mm	65 mm
Капацитет на дупчење во тули и плочки.....		16 mm	16 mm
Шрафови во дрво (без предходно дупчење).....		6 mm	6 mm
Брзина без оптоварување, 1ва брзина.....		0-550 min ⁻¹	0-550 min ⁻¹
Брзина без оптоварување, 2ра брзина.....		0-1800 min ⁻¹	0-1800 min ⁻¹
Големина на удар, 1ва брзина.....		mm ²	0-8800 min ⁻¹
Големина на удар, 2ра брзина.....		mm ²	0-28800 min ⁻¹
Спрега торк (5,0 Ah).....		82 Nm	82 Nm
Волтажа на батеријата.....		18 V	18 V
Опсег на отворење на бушотина.....		1,5-13 mm	1,5-13 mm
Тежина според ЕПТА-процедурата 01/2014 (2,0 Ah).....		1,74 kg	1,79 kg
Тежина според ЕПТА-процедурата 01/2014 (5,0 Ah).....		2,02 kg	2,07 kg
Препорачана температура на околината при работа.....		-18...+50 °C	
Препорачани типови на акумулаторски батерии.....		M18B, M18HB	
Препорачани полначи.....		M12-18C, M12-18AC, M12-18FC, M1418C6	

Информација за бучавата/вибрациите

Измерените вредности се одредени согласно стандардот EN 60745.

Типично очекувано ниво на звучен притисок на алатот е:

Ниво на звучен притисок, (Несигурност K=3dB(A)).....	80 dB (A)	92 dB (A)
Ниво на јачина на звук, (Несигурност K=3dB(A)).....	91 dB (A)	103 dB (A)

Носте штитник за уши.

Вкупни вибрациски вредности (векторски збир на трите насоки) пресметани согласно EN 60745.

Вибрациска емисиона вредност a_h

Перкусионо дупчење во бетона a _{hD}		11,85 m/s ²
Несигурност K =.....		1,5 m/s ²
Дупчење во метал l a _{hD}	1,86 m/s ²	1,86 m/s ²
Несигурност K =.....	1,5 m/s ²	1,5 m/s ²
Зашрафување a _h	2,18 m/s ²	2,18 m/s ²
Несигурност K =.....	1,5 m/s ²	1,5 m/s ²

ПРЕДУПРЕДУВАЊЕ

Нивото на осцилација наведено во овие инструкции е измерено во согласност со мерните постапки нормирани во EN 60745 и може да биде употребено за меѓусебна споредба на електро-алати. Ова ниво може да се употреби и за привремена проценка на оптоварувањето на осцилацијата.

Наведеното ниво на осцилација ги презентира главните намени на електро-алатот. Но, доколку електро-алатот се употребува за други намени, со отстапувачки додатоци или со несоодветно одржување, нивото на осцилација може да отстапи. Тоа може значително да го зголеми оптоварувањето на осцилацијата за време на целиот работен период.

За прецизна проценка на оптоварувањето на осцилацијата предвид треба да бидат земени и времињата, во коишто апаратот е исклучен или работи, но фактички не се употребува. Тоа може значително да го намали оптоварувањето на осцилацијата за време на целиот работен период.

Утврдете дополнителни безбедносни мерки за заштита на операторот од влијанието на осцилациите, како на пример: одржување на електро-алатот и на додатоци кон електро-алатот, одржување топли раце, организација на работните процеси.

⚠ ПРЕДУПРЕДУВАЊЕ! Прочитајте ги сите безбедносни упатства, инструкции, илустрации и спецификации за овој електричен алат. Недоследно почитување на подолу наведените упатства може да предизвика електричен удар, пожар и/или сериозни повреди.

Чувајте ги сите предупредувања и упатства за употреба.

⚠ БЕЗБЕДНОСНИ НАПОМЕНИ ЗА ПЕРКУСИОНИ БОРМАШИНИ

При работата со перкусионата бормашина носете заштита за ушите. Влијанието на бука може да предизвика губење на слухот.

Користете помошни рачки кои доаѓаат заедно со алатот. Губењето контрола може да предизвика повреда.

Држете го електричниот алат за издадените површини при изведување на операции при кои алатот за сечење можат да дојдат во контакт со скриени жици или сопствениот гајтан.

Контакт со жица под напон исто така ќе направи проводници од металните делови и оној кој ракува со алатот ќе доживее струен удар.

Никогаш не ракувајте со поголема брзина од максималната брзина која е одредена за вежбата за бушење. При поголема брзина, вежбата може да се искриви кога се ротира без контакт со работното парче, што може да резултира со лична повреда.

Секогаш започнувајте со мала брзина и додека вежбата е во контакт со работното парче. При поголема брзина, вежбата може да се искриви кога се ротира без контакт со работното парче, што може да резултира со лична повреда.

Секогаш применувајте го притисокот во директна насока со вежбата за бушење и не притискајте премногу напорно. Вежбите за бушење можат да се искриват и да се скршат или да резултираат со губење на контролата над алатката, што може да доведе до лична повреда.

⚠ БЕЗБЕДНОСНИ НАПОМЕНИ ЗА ЗАШТРАФУВАЊЕ

При реализација на работи, при кои заврската може да погоди скриени водови на струја, држете го апаратот на изолираните површини за држење. Контактот на навртката со вод под напон може да ги стави металните делови од апаратот под напон и да доведе до електричен удар.

ОСТАНАТИ БЕЗБЕДНОСНИ И РАБОТНИ УПАТСТВА

Употребувајте заштитна опрема. При работа со машината постојано носете заштитни очила. Се препорачува заштитна облека како: маска за заштита од прашина, заштитни ракавици, цврсти чевли што не се лизгаат, кашига и заштита за уши.

Пршината која се создава при користење на овој алат може да биде штетна по здравјето. Не ја вдишувајте. Носете соодветна заштитна маска.

Не смеат да бидат обработувани материјали кои што можат да го загрозат здравјето (на пр. азбест).

Доколку употребуваното орудие се блокира, молиме веднаш да се исклучи апаратот! Не го вклучувајте апаратот повторно додека употребуваното орудие е блокирано, притоа би можело да дојде до повратен удар со висок момент на реакција. Испитајте и отстранете ја причината за блокирањето на употребеното орудие имајќи ги во предвид напомените за безбедност.

Можни причини би можеле да се:

- Заканување во парчето кое што се обработува
- Кршење поради продирање на материјалот кој што се обработува
- Преоптоварување на електричното орудие

Не фаќајте во машината кога работи.

Употребеното орудие за време на примената може да стане многу жешко.

ПРЕДУПРЕДУВАЊЕ! Опасност од изгоретини

- при менување на орудие
- при ставање на апаратот на страна

Пршината и струготините не смеат да се одстрануваат додека е машината работи.

Кога работите на сидови, таван или под внимавајте да ги избегнете електричните, гасните и водоводни инсталации. Обезбедете го предметот кој што го обработувате со направа за напон. Необезбедени парчиња кои што се обработуваат можат да предизвикаат тешки повреди и оштетувања.

Извадете го батеријскиот склоп пред отпочнување на каков и да е зафат врз машината. Не ги оставајте искористените батерии во домашниот отпад и не горете ги. Дистрибутерите на Милвоки ги собираат старите батерии, со што ја штитат нашата околина.

Не ги чувајте батериите заедно со метални предмети (ризик од краток спој).

Користете исклучиво Систем M18 за полнење на батерии од M18 систем. Не користете батерии од друг систем.

Не ги отворајте насилно батериите и полначите, и чувајте ги само на суво место. Чувајте ги постојано суви.

Киселината од оштетените батериите може да истече при екстреман напон или температура. Доколку дојдете во контакт со исатата, измијте се веднаш со сапун и вода. Во случај на контакт со очите плакнете ги убаво најмалку 10 минути и задолжително одете на лекар.

СЕКОГАШ КОРИСТЕТЕ ДОПОЛНИТЕЛНА РАЧКА, ако користите батерија со капацитет од 9,0 Ah или повеќе; вртежниот момент на некои електрични алатки може да се зголеми. Ако бормашината или ударната дупчалка е испорачана без дополнителна рачка, користете го резервниот дел на дополнителната рачка (погледнете Детален приказ на електричната алатка).

Не го кладете одвртувачот кога машината работи и копчето за вклучување не е блокирано. Ротирачкиот одвртувач може да го нарани корисникот на машината.

Предупредување! За да избегнете опасноста од пожар, од наранувања или од оштетување на производот, којшто ги создава краток спој, не ја потопувајте во течност алатката, заменивата батерија или полначот и пазете во уредите и во батериите да не проникнуваат течности. Корозивни или електропроводливи течности, како солена вода, одредени хемикалии, избулвачки препарати или производи кои содржат избулвачки супстанции, можат да предизвикаат краток спој.

СПЕЦИФИЦИРАНИ УСЛОВИ НА УПОТРЕБА

Перкусионата дупчалка/шрафцигер со електронска батерија е дизајниран за дупчење, перкусионно дупчење, како и шрафцигер при независна употреба далеку од главното напојување.

Не го користете овој производ на било кој друг начин освен пропишаниот за нормална употреба.

ЕУ-ДЕКЛАРАЦИЈА ЗА СООБРАЗНОСТ

Во своја сопствена одговорност изјавуваме дека под "Технички податоци" опишаниот производ е во склад со сите релевантни прописи од регулативата 2011/65/EU (RoHS), 2014/30/EU, 2006/42/EC и следните хармонизирачки нормативни документи:

EN 60745-1:2009 + A11:2010

EN 60745-2-1:2010

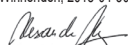
EN 60745-2-2:2010

EN 55014-1:2017

EN 55014-2:2015

EN 50581:2012

Winnenden, 2018-04-30



Alexander Krug
Managing Director



Ополномоштен за составување на техничката документација.

Techtronic Industries GmbH
Max-Eyth-Straße 10
71364 Winnenden
Germany

БАТЕРИИ

Подолг период неупотребувани комплекти батерии да се наполнат пред употреба.

Температура повисока од 50°C (122°F) го намалуваат траењето на батериите.

Избегнувајте подолго изложување на батериите на високи температури или сонце (ризик од прегревање).

Клемите на полначот и батериите мора да бидат чисти.

За оптимален работен век, по употреба батериите мора да бидат целосно наполнети.

За можно подолг век на траење, апаратите после нивноото полнење треба да бидат извадени од апаратот за полнење на батериите.

Во случај на складирање на батеријата подолго од 30 дена: Акумулаторот да се чува на температура од приближно 27°C и на суво место.

Акумулаторот да се складира на приближно 30%-50% од состојбата на наполнетост.

Акумулаторот повторно да се наполни на секои 6 месеци.

ЗАШТИТА ОД ПРЕОПТЕРЕТУВАЊЕ НА БАТЕРИЈАТА

При преоптоварување на батеријата со многу висока потрошувачка на струја, на пример екстремно високи вртежни моменти, заглавување на дупчалката, ненадејно запирање или краток спој, електро-уредот бучи 2 секунди, а потоа самостојно се гаси. За повторно вклучување ослободете го прекинувачот и вклучете повторно.

Во случај на екстремни оптоварувања батеријата може да загрее многу. Во таков

случај батеријата исклучува.

Тогаш ставете ја батеријата во уредот за полнење за повторно да ја напоините и активирате.

ТРАНСПОРТ НА ЛИТИУМ-ЈОНСКИ БАТЕРИИ

Литиум-јонските батерии подлежат на законските одредби за транспорт на опасни материи.

Транспортот на овие батерии мора да се врши согласно локалните, националните и меѓународните прописи и одредби.

- Потрошувачите на овие батерии може да вршат непречен патен транспорт на истите.
- Комерцијалниот транспорт на литиум-јонски батерии од страна на шпедитерско претпријатије подлежат на одредбите за транспорт на опасни материи. Подготовките за шпедиција и транспорт треба да ги вршат исклучиво соодветно обучени лица. Целокупниот процес треба да биде стручно надгледуван.

При транспортот на батерии треба да се внимава на следното:

- Осигурајте се дека контактите се заштитени и изолирани, а сето тоа со цел да се избегнат кратки споеви.
- Внимавајте да не дојде до измествување на батериите во нивната амбалажа.
- Забранет е транспорт на оштетени или протечени литиум-јонски батерии.









За понатамошни инструкции обратете се до Вашето шпедитерско претпријатије.

ОПРЖУВАЊЕ

Користете само Milwaukee додатоци и резервни делови. Доколку некои од компонентите кои не се опишани треба да бидат заменети, Ве молиме контактирајте ги сервисните агенти на Milwaukee (консултирајте ја листата на адреси).

При потреба може да се побара експлозиозонен цртеж на апаратот со наведување на машинскиот тип и шестоцифрениот број на табличката со учиниот или во Вашата корисничка служба или директно кај Techtronic Industries GmbH, Max-Eyth-Straße 10, 71364 Winnenden, Германија.

СИМБОЛИ

	ВНИМАНИЕ! ПРЕДУПРЕДУВАЊЕ! ОПАСНОСТ!
	Извадете го батеријскиот склоп пред отпочнување на каков и да е зафат врз машината.
	Ве молиме пред да ја стартувате машината обрнете внимание на упатствата за употреба.
	Електричните апарати и батериите што се полнат не смеат да се фрлат заедно со домашниот отпад. Електричните апарати и батериите треба да се собираат одделно и да се однесат во соодветниот погон заради нивно фрлање во склад со начелата за заштита на околината. Информирајте се кај Вашите местни служби или кај специјализирираниот трговски претставник, каде има такви погони за рециклажа и собирни станици.
n	Брзина без оптоварување
V	Волти
	Истосмерна струја
	Европска ознака за сообразност
	Украинска ознака за сообразност
	Евроазиската ознака за сообразност

ТЕХНІЧНІ ХАРАКТЕРИСТИКИ	АКУМУЛЯТОРНИЙ УДАРНИЙ ДРИЛЬ-ГВИНТОКРУТ	M18 BLDD2	M18 BLPD2
Номер виробу.....	4691 61 01.....	4691 72 01.....	4691 72 01.....
	..000001-999999	..000001-999999	..000001-999999
Ø свердління сталі.....	13 mm	13 mm	13 mm
Ø свердління деревини			
з лопата.....	32 mm	32 mm	32 mm
з гвинтовим свердлом.....	26 mm	26 mm	26 mm
з кільцевою пилкою.....	89 mm	89 mm	89 mm
зі свердлом з автоматичною подачею.....	65 mm	65 mm	65 mm
Свердління в цеглі та силікатній цеглі.....	16 mm	16 mm	16 mm
Шурули для деревини.....	6 mm	6 mm	6 mm
Кількість обертів холостого ходу 1 передача / 2 передача.....	0-550 min ⁻¹	0-550 min ⁻¹	0-550 min ⁻¹
Кількість обертів холостого ходу 1 передача / 2 передача.....	0-1800 min ⁻¹	0-1800 min ⁻¹	0-1800 min ⁻¹
Кількість ударів під навантаженням 1 передача / 2 передача.....	- min ⁻¹	0-8800 min ⁻¹	0-8800 min ⁻¹
Кількість ударів під навантаженням 1 передача / 2 передача.....	- min ⁻¹	0-28800 min ⁻¹	0-28800 min ⁻¹
Крутильний момент *1 (5,0 Ah).....	82 Nm	82 Nm	82 Nm
Напруга змінної акумуляторної батареї.....	18 V	18 V	18 V
Ділянка затискання свердління патрона.....	1,5-13 mm	1,5-13 mm	1,5-13 mm
Вага згідно з процедурою ЕРТА 01/2014 (2,0 Ah).....	1,74 kg	1,79 kg	1,79 kg
Вага згідно з процедурою ЕРТА 01/2014 (5,0 Ah).....	2,02 kg	2,07 kg	2,07 kg
Рекомендована температура довкілля під час роботи.....	-18, +50 °C	-18, +50 °C	-18, +50 °C
Рекомендовані типи акумуляторів.....	M18B, M18HB	M18B, M18HB	M18B, M18HB
Рекомендовані зарядні пристрої.....	M12-18C, M12-18AC, M12-18FC, M1418C6	M12-18C, M12-18AC, M12-18FC, M1418C6	M12-18C, M12-18AC, M12-18FC, M1418C6

Шум / інформація про вібрацію

Вимірні значення визначені згідно з EN 60745.

Рівень шуму "А" приладу становить в типовому випадку:

Рівень звукового тиску (похибка K = 3 дБ(A)).....	80 dB (A)	92 dB (A)
Рівень звукової потужності (похибка K = 3 дБ(A)).....	91 dB (A)	103 dB (A)

Використовувати засоби захисту органів слуху!

Сумарні значення вібрації (векторна сума трьох напрямків), встановлені згідно з EN 60745.

Значення вібрації a _h		
Ударне свердління бетону a _{hD}	11,85 m/s ²	11,85 m/s ²
похибка K =	1,5 m/s ²	1,5 m/s ²
Свердління в металі l a _{hD}	1,86 m/s ²	1,86 m/s ²
похибка K =	1,5 m/s ²	1,5 m/s ²
Пригвинчування a _h	2,18 m/s ²	2,18 m/s ²
похибка K =	1,5 m/s ²	1,5 m/s ²

ПОПЕРЕДЖЕННЯ!

Рівень вібрації, вказаний в цій інструкції, вимірювався згідно з методом вимірювання, нормованим стандартом EN 60745, і може використовуватися для порівняння електроінструментів. Він призначений також для попередньої оцінки навантаження від вібрації.

Вказаний рівень вібрації відповідає основним сферам використання електроінструменту. Але якщо електроінструмент використовується для іншої мети, з іншими вставними інструментами або при недостатньому технічному обслуговуванні, рівень вібрації може бути іншим. Це може значно підвищити навантаження від вібрації за весь період роботи.

Для точної оцінки навантаження від вібрації необхідно також враховувати час, коли прилад вимкнений або увімкнений, але фактично не використовується. Це може значно зменшити навантаження від вібрації за весь період роботи.

Визначте додаткові заходи безпеки для захисту оператора від дії вібрації, наприклад: Технічне обслуговування електроінструменту та вставних інструментів, зігрівання рук, організація робочих процесів.

⚠ УВАГА! Ознайомитись з усіма попередженнями з безпечного використання, інструкціями, ілюстративним матеріалом та технічними характеристиками, які надаються з цим електричним інструментом. Недотримання всіх наведених нижче інструкцій може призвести до ураження електричним струмом, пожежі та/або важких травм.

Зберігати всі попередження та інструкції для використання в майбутньому.

⚠ ВКАЗІВКИ З ТЕХНІКИ БЕЗПЕКИ ДЛЯ ДРИЛІВ

Використовуйте засоби захисту органів слуху при ударному свердлінні. Вплив шуму може спричинити втрату слуху.

Користуйтеся додатковими рукоятками, що поставляються разом з пристроєм, якщо вони входять в комплект поставки. Втрата контролю може призвести до пошкодження.

Під час виконання робіт тримайте прилад за ізольовані поверхні рукояток, якщо вставний інструмент може натратити на приховані електричні лінії або власний мережевий кабель.

Контакт з лінією під напругою може призвести до появи напруги в металевих частинах приладу та до ураження електричним струмом.

Ніколи не застосовуйте більш високу швидкість, ніж максимальна швидкість, вказана для свердла. На більш високих швидкостях свердло може зігнутися, якщо обертатиметься без контакту з оброблюваним виробом, що може призвести до пошкодження.

Завжди починайте роботу на низькій швидкості і коли свердло контактує з оброблюваним виробом. На більш високих швидкостях свердло може зігнутися, якщо обертатиметься без контакту з оброблюваним виробом, що може призвести до пошкодження.

Завжди застосовуйте тиск виключно вздовж осі свердла і не натискайте надто сильно. Свердла можуть зігнутися і ламатися або призводити до втрати контролю над пристроєм, що в свою чергу також може призвести до пошкодження.

⚠ ВКАЗІВКИ З ТЕХНІКИ БЕЗПЕКИ ДЛЯ ГВИНТОКРУТА

Тримайте пристрій за ізольовані поверхні ручок, коли виконуєте роботу, під час якої гвинт може наштовхнутися на приховані електропроводи. Контакт гвинта з проводом під напругою може сприяти виникненню напруги на металевих деталях пристрою та призвести до ураження електричним струмом.

ДОДАТКОВІ ІНСТРУКЦІЇ З ТЕХНІКИ БЕЗПЕКИ ТА ЕКСПЛУАТАЦІЇ

Використовуйте індивідуальні засоби захисту. Під час роботи з машиною завжди носите захисні окуляри. Радимо використовувати захисний одяг, як наприклад маску для захисту від пилу, захисні рукавиці, міцне та нековзне взуття, каску та засоби захисту органів слуху.

Пил, що утворюється під час роботи, часто буває шкідливим для здоров'я; він не повинен потрапляти в організм. Носити відповідну маску для захисту від пилу.

Не можна обробляти матеріали, небезпечні для здоров'я (наприклад, азбест).

При блокуванні вставного інструменту негайно вимкніть прилад! Не викайте прилад, якщо вставний інструмент заблокований; при цьому може виникати віддача з високим зворотнім моментом. Визначити та усунути причину блокування вставного інструменту з урахуванням вказівок з техніки безпеки.

Можливі виники:

- Перекив в заготовці, що обробляється
- Пробивання оброблюваного матеріалу
- Перевантаження електроінструменту

Частини тіла не повинні потрапляти в машину, коли вона працює.

Вставний інструмент може нагріватися під час роботи.

ПОПЕРЕДЖЕННЯ! Небезпечна опіків

- при заміні інструменту
- при відкладанні приладу

Не можна видаляти стружку або уламки, коли машина працює.

Під час роботи на стінах, стелях або підлозі звертайте увагу на електричні кабелі, газові та водопровідні лінії.

Зафіксувати заготовку в затискнутому пристрої. Незакріплені заготовки можуть привести до тяжких травм та пошкоджень.

Перед будь-якими роботами на машині виїняти змінну акумуляторну батарею. Відпрацьовані знімні акумуляторні батареї не можна кидати у вогонь або викидати з побутовими відходами. Milwaukee пропонує утилізацію старих знімних акумуляторних батарей, безпечно для довкілля; зверніться до свого дилера.

Не зберігати знімні акумуляторні батареї разом з металевими предметами (небезпека короткого замикання).

Знімні акумуляторні батареї системи M18 заряджати лише зарядними пристроями системи M18. Не заряджати акумуляторні батареї інших систем.

Не відкривати знімні акумуляторні батареї і зарядні пристрої та зберігати їх лише в сухих приміщеннях. Беретти від вологи.

При екстремальному навантаженні або при екстремальній температурі з пошкодженою змінною акумуляторною батареєю може витікати електрика. При потрапленні електроліту на шкіру його негайно необхідно змити водою з милом. При потрапленні в очі їх необхідно негайно ретельно промити, щонайменше 10 хвилин, та негайно звернутися до лікаря.

ЗАВЖДИ ВИКОРИСТОВУВАТИ ДОДАТКОВУ РУКОЯТКУ, коли використовується акумулятор ємністю 9,0 Ah або вище; крутильний момент електродвигуна може збільшитися. Якщо ваш гвинтокут або перфоратор поставляється без додаткової рукоятки, будь ласка, використовуйте запасну частину додаткової рукоятки (див. креслення з зображенням електродвигуна).

Не вставляйте насадку, коли інструмент працює і кнопка викидача не заблокована. Насадка, що обертається, може травмувати користувача.

Попередження! Для запобігання небезпеці пожежі в результаті короткого замикання, травм і пошкодження виробів не закруйте інструмент, змінний акумулятор або зарядний пристрій у рідину і не допускайте потраплення рідини всередину пристроїв або акумуляторів. Корозійні і струмопровідні рідини, такі як солоний розчин, певні хімікати, вибілювальні засоби або продукти, що їх містять, можуть призвести до короткого замикання.

ВИКОРИСТАННЯ ЗА ПРИЗНАЧЕННЯМ

Ударний дріль/гвинтокут можна використовувати універсально для свердління, ударного свердління, привинчування.

Цей прилад можна використовувати тільки за призначенням та, як вказано в цьому документі.

СЕРТИФІКАТ ВІДПОВІДНОСТІ ВИМОГАМ ЄС

Ми заявляємо на власну відповідальність, що виріб, описаний в „Технічних даних“, відповідає всім застосованим положенням директиви 2011/65/EU (RoHS), 2014/30/EU, 2006/42/EG, та наступним гармонізованим нормативним документам:

EN 60745-1:2009 + A11:2010

EN 60745-2-1:2010

EN 60745-2-2:2010

EN 55014-1:2017

EN 55014-2:2015

EN 50581:2012

Winnenden, 2018-04-30

Alexander Krug
Managing Director

Уповноважений із складання технічної документації.

Techtron Industries GmbH

Max-Eyth-Straße 10

71364 Winnenden

Germany



АКУМУЛЯТОРНІ БАТАРЕЇ

Знімну акумуляторну батарею, що не використовувалася тривалий час, перед використанням необхідно підзарядити.

Температура понад 50 °C зменшує потужність змінної акумуляторної батареї. Уникати тривалого нагрівання сонячними променями або системою обігріву.

З'єднувальні контакти зарядного пристрою та змінної акумуляторної батареї повинні бути чистими.

Для забезпечення оптимального строку експлуатації акумуляторні батареї після використання необхідно повністю зарядити.

Для забезпечення максимально можливого терміну експлуатації акумуляторні батареї після зарядки необхідно виймати з зарядного пристрою.

При зберіганні акумуляторної батареї понад 30 днів:

Зберігати акумуляторну батарею при температурі приблизно 27 °C в сухому місці.

Зберігати акумуляторну батарею в стані зарядки приблизно 30-50 %.

Кожні 6 місяців знову заряджати акумуляторну батарею.

ЗАХИСТ АКУМУЛЯТОРНОЇ БАТАРЕЇ ВІД ПЕРЕВАНТАЖЕННЯ

При перевантаженні акумуляторної батареї внаслідок занадто великого споживання струму, наприклад, при занадто високому крутильному моменту, заклинованні пилогового диску, раптової зупинці або короткому замкненню, електродвигуна зупиняється на 2 секунди та самостійно викидається.

Для повторного увімкнення відпустити кнопку викидача і знов увімкнути.

При надзвичайному навантаженні акумуляторна батарея може дуже сильно нагрітись. В такому випадку акумуляторна батарея викидається.

ТРАНСПОРТУВАННЯ ЛІТІЙ-ІОННИХ АКУМУЛЯТОРНИХ БАТАРЕЙ

Літій-іонні акумуляторні батареї підпадають під законоположення про перевезення небезпечних вантажів.

Транспортування таких акумуляторних батарей повинно відбуватися із дотриманням місцевих, національних та міжнародних приписів та положень.

• споживачі можуть без проблем транспортувати ці акумуляторні батареї по вулиці.

• Комерційне транспортування літій-іонних акумуляторних батарей експедиторськими компаніями підпадає під положення про транспортування небезпечних вантажів.

Підготовку до відправлення та транспортування можуть здійснювати виключно особи, які пройшли відповідне навчання. Весь процес повинні контролювати кваліфіковані фахівці.

При транспортуванні акумуляторних батарей необхідно дотримуватись зазначених діл пунктів:

• Переконайтеся в тому, що контакти захищені та ізольовані, щоб запобігти короткому замкненню.

• Слідкуйте за тим, щоб акумуляторна батарея не переміщувалася всередині упаковки.

• Пошкоджені акумуляторні батареї, або акумуляторні батареї, що потекли, не можна транспортувати.

Для отримання подальших вказівок звертайтеся до своєї експедиторської компанії.

ОБСЛУГОВУВАННЯ

Використовувати комплектацію та за частини тільки від Milwaukee. Деталі, заміна яких не описується, замінювати тільки в відділі обслуговування клієнтів Milwaukee (зверніть увагу на брошуру "Гарантія / адреси сервісних центрів").

У разі необхідності можна запросити креслення з зображенням вузлів машини в перспективному вигляді, для цього потрібно звернутися в ваш відділ обслуговування клієнтів або безпосередньо в Techtron Industries GmbH, Max-Eyth-Straße 10, 71364 Winnenden, Німеччина, та вказати тип машини та шестизначний номер на фірмовій табличці з даними машини.

СИМВОЛИ



УВАГА! ПОПЕРЕДЖЕННЯ! НЕБЕЗПЕЧНО!



Перед будь-якими роботами на машині виїняти змінну акумуляторну батарею



Уважно прочитайте інструкцію з експлуатації перед введенням приладу в дію.



Електроприлади, батареї/акумулятори заборонено утилізувати разом з побутовим сміттям. Електричні прилади і акумулятори слід збирати окремо і здавати в спеціалізовану компанію для утилізації відповідно до норм охорони довкілля. Зверніться до місцевих органів або до вашого дилера, щоб отримати адреси пунктів вторинної переробки та пунктів прийому.



Кількість обертів холостого ходу



Напруга



Постійний струм



Європейський знак відповідності



Український знак відповідності



Євразійський знак відповідності

نقل بطاريات الليثيوم

- تخضع بطاريات الليثيوم أيون لشروط قوانين نقل السلع الخطرة.
- ويجب نقل هذه البطاريات وفقاً للأحكام والقوانين المحلية والوطنية والدولية.
- يمكن للمستخدم نقل البطاريات براً دون الخضوع لشروط أخرى.
 - يخضع النقل التجاري لبطاريات الليثيوم أيون عن طريق البحر إلى قوانين نقل السلع الخطرة. يتعين أن يقوم أفراد منبريون جيداً بالإعداد لعملية النقل والقيام بها بصحة خبراء مثلهم.
- مُتَى نُقِلَ البطارِيَات:
- عند التأكد من حماية أطراف توصيل البطارية وعزلها تحجباً لحدوث قصر بالدائرة.
 - عند التأكد من حماية حزمة البطارية من الحركة داخل صندوق التعبئة.
 - يُرْجَى عدم نقل البطاريات التي بها تشققات أو تسربات.
- يُرْجَى البحث مع شركة الشحن عن نصيحة أخرى








الصيانة

استخدم فقط ملحقات ميلوكي وكذلك قطع غيار ميلوكي. إذا كانت المكونات التي يجب تغييرها غير متوفرة، يرجى الاتصال بأحد عملاء صيانة ميلوكي (انظر قائمة عناوين الضمان/الصيانة الخاصة بنا).

عند الحاجة يمكن طلب رمز انفجار الجهاز بعد ذكر طراز الآلة والرقم المداسي المذكور على بطاقة طاقة الآلة لدى جهة خدمة العملاء أو مباشرة لدى شركة

Techtronic Industries GmbH, Max-Eyth-Straße 10, 71364 Winnenden, ألمانيا

رؤوس

	تنبيه! تحذير! خطر!
	افصل دائماً القابس عن المقيس قبل تنفيذ أي عمل بالجهاز.
	يرجى قراءة التعليمات بعناية قبل بدء تشغيل الجهاز.
	يحظر التخلص من الأجهزة الكهربائية والبطاريات/البطاريات القابلة للشحن في القمامة المنزلية. يجب جمع الأجهزة الكهربائية والبطاريات القابلة للشحن منفصلة وتسليمها للتخلص منها بشكل لا يضر بالبيئة لدى شركة إعادة استغلال.
	الرجاء الاستفسار لدى الهيئات المحلية أو لدى التجار المتخصصين عن مواقع إعادة الاستغلال ومواقع الجمع.
n_h	أقصى سرعة دون وجود حمل
v	وحدات الفولط
$==$	التيار المستمر
	علامة التوافق الأوروبية
	علامة التوافق الأوكرانية
	علامة التوافق الأوروبية الآسيوية

قد يتسرب حامض البطارية من البطاريات التالفة في ظروف الحمل الزائد بدرجة كبيرة أو في درجات الحرارة الشديدة. في حالة ملامسة حامض البطارية أغسل يديك فوراً بالماء والصابون. في حالة ملامسة السائل للمعينين اشطفهما جيداً لمدة 10 دقائق على الأقل واطلب العناية الطبية فوراً.

احرص دائماً على استخدام مقبض إضافي عند استخدام بطارية بقدرة 9,0 أمبير ساعة أو أعلى، عزم دوران بعض الأدوات الكهربائية يمكن أن يزيد. إذا ما تم توريد المقاب أو المقاب النفاذ بدون مقبض إضافي، فيرجى استخدام الجزء الإضافي للمقبض الإضافي (انظر رسم التخطيطي للمكونات للأداة الكهربائية).

لا تقوم بتثبيت بيت، إذا كانت الماكينة تعمل وزر الضغط غير مؤمن. البت الدائر يمكن أن يصيب المستخدم بجراح.

تحذير! لتجنب أخطار الحريق أو الإصابة أو الأضرار بالمنتج التي تنجم عن الماس الكهربائي، لا تغمر الأداة أو البطارية القابلة للاستبدال أو جهاز الشحن في السوائل وأحرص على أن لا تصل السوائل إلى داخل الجهاز والبطارية. السوائل الموصلة للتيار الكهربائي، مثل الماء المالح ومركبات كيميائية معينة ومواد التبييض أو المنظفات التي تشتمل على مواد تبييض، يمكن أن تؤدي إلى حدوث ماس كهربائي.

شروط الاستخدام المحددة

يمكن استخدام مفتاح ربط بدون وصلة لربط وفك المسامير والوصلات عند عدم توفر التوصيل الكهربائي. لا تستخدم هذا المنتج بأي طريقة أخرى غير مصرح بها للاستخدام المادي.

إعلان المطابقة - الاتحاد الأوروبي

بموجب هذا نقر على مسؤوليتنا المنفردة، أن المنتج المذكور الموصوف تحت "البيانات الفنية" يلي جميع التعليمات الخاصة بالمعايير

2011/65/EU (RoHS), 2014/30/EU, 2006/42/EG

ويتطابق مع وثائق المعايير المتوافقة التالية:

EN 60745-1:2009 + A11:2010
EN 60745-2-1:2010
EN 60745-2-2:2010
EN 55014-1:2017
EN 55014-2:2015
EN 50581:2012

Winnenden, 2018-04-30




Alexander Krug
Managing Director
معدته للمطابقة مع الملف الفني
Techtronic Industries GmbH
Max-Eyth-Straße 10
Winnenden 71364
Germany

البطاريات

يجب إعادة شحن البطارية غير المستخدمة لفترة قبل الاستخدام.

نقل درجات الحرارة التي تتجاوز 50° سيلزيوس (122° فهرنهايت) من أداء البطارية. تجنب التعرض الزائد للحرارة أو أشعة الشمس (خطر التسخين).

يجب الحفاظ على محتويات الشواحن و البطاريات نظيفة.

للحصول على فترة استخدام مثالية، يجب شحن البطاريات تماماً، بعد الاستخدام.

للحصول على أطول عمر ممكن للبطارية، انزع البطارية من الشاحن بمجرد شحنها تماماً.

لتخزين البطارية أكثر من 30 يوم.

حزن البطارية بحيث تكون درجة الحرارة أقل من 27° سيلزيوس وبعيدا عن أي رطوبة

حزن البطارية مشحونة بنسبة تتراوح بين 30 -50 %

اشحن البطارية كامتداد، وذلك كل ستة أشهر من التخزين.

حماية البطارية

في المواقع التي يكون فيها عزم الدوران عالٍ بشدة، وإعاقة الحركة والتباطؤ والتصوير في الدائرة الكهربية الذي ينتج عنه سحب أقد كبير من التيار الكهربائي، ستهيئ الآلة لمدة 2 ثانية ثم تتوقف عن العمل.

لإعادة ضبط حر الزائد.

في الظروف القصوى للعمل، قد ترتفع درجة حرارة البطارية الداخلية بشدة. إذا ما حدث ذلك، ستتوقف البطارية عن العمل.

M18 BLPD2	M18 BLDD2	مقبب/القمة الحفر الدقاق اللاسلكي	البيانات الفنية
4691 72 01	4691 61 01		إنتاج عدد
000001-999999	000001-999999		فترة الحفر في المعادن
mm 13	mm 13		فترة الحفر في الخشب اللين
mm 32	mm 32		مع محرقه
mm 26	mm 26		مع لقمة مقابب لولبي
mm 89	mm 89		مع منشار ثقب مستدير
mm 65	mm 65		مع لقمة التثقيب الذاتي
mm 16	mm 16		فترة الحفر في الطوب والبلاط
mm 6	mm 6		مسامير الخشب (دون الحفر المسبق)
min ⁻¹ 0-550	min ⁻¹ 0-550		السرعة في حالة عدم وجود حمل، الترس الأول
min ⁻¹ 0-1800	min ⁻¹ 0-1800		السرعة في حالة عدم وجود حمل، الترس الثاني
min ⁻¹ 0-8800	min ⁻¹ 0-8800		معدل التصادم
min ⁻¹ 0-28800	min ⁻¹ 0-28800		معدل التصادم
Nm 82	Nm 82		الزخم (Ah 5,0)
V 18	V 18		فولطية البطارية
mm 1,5-13	mm 1,5-13		نطاق طرف المقابب
kg 1,79	kg 1,74		الوزن وفقا لنهج EPTA رقم 01/2014
kg 2,07	kg 2,02		الوزن وفقا لنهج EPTA رقم 01/2014
C ⁺ +50, -18			درجة حرارة الجو المحيط المنصوح بها عند العمل
M18B ... M18HB			طراز البطارية المنصوح به
M12-18C, M12-18AC, M12-18FC, M1418C6			أجهزة الشحن المنصوح بها

معلومات الضوضاء/الذبذبات

القيم التي تم قياسها محددة وفقا للمعايير الأوروبية EN 60745
 مستويات ضوضاء الجهاز، تزيح بشكل نمطي كالتالي:
 مستوى ضغط الصوت (الارتباب في القياس = 3 ديسيبل (l))
 مستوى شدة الصوت (الارتباب في القياس = 3 ديسيبل (ll))
 ارتد واهبات الأذن!

قيم الذبذبات الإجمالي (مجموع الكميات الموجبة في المحاور الثلاثة) محددة وفقا للمعايير الأوروبية EN 60745

dB (A) 92	dB (A) 80
dB (A) 103	dB (A) 91
	قيمة انبعاث الذبذبات (ah)
	قيمة الدق في الخرسانة a _{n,10}
m/s ² 11,85	
m/s ² 1,5	
m/s ² 1,86	m/s ² 1,86
m/s ² 1,5	m/s ² 1,5
m/s ² 2,18	m/s ² 2,18
m/s ² 1,5	m/s ² 1,5

تحذير!

تم قياس مستوى انبعاث الذبذبات الموجود بوثيقة المعلومات هذه وفقا للاختبار القياسي وفقا للمعايير الأوروبية EN 60745 ويمكن استخدامه لمقارنة جهاز بغيره كما يمكن استخدامه لعرض تقييم تمهيدي.
 يمثل مستوى انبعاث الذبذبات المعطى عنه تطبيقات الجهاز الرئيسية. بالرغم من ذلك، فإنه إذا ما تم استخدام الجهاز لتطبيقات مختلفة، بملحقات مختلفة أو لم يتم المحافظة عليه، فقد يختلف انبعاث الذبذبات. قد يزيد ذلك بصورة كبيرة من مستوى التعرض للذبذبات طوال فترة العمل الإجمالية.
 يجب الوضع في الاعتبار عند تقدير مستوى التعرض للذبذبات مرات إيقاف الجهاز أو تشغيله لكن دون استخدامه في القيام بعملية. فقد يقل ذلك بصورة كبيرة من مستوى التعرض للذبذبات طوال فترة العمل الإجمالية.
 تعرف على معايير السلامة الإضافية لحماية المشغل من آثار الذبذبات مثل: صيانة الجهاز والملحقات، الحفاظ على دهاء الأيدي، وتنظيم نماذج العمل.

قد تكون الأثرية الناتجة عن استخدام هذه الآلة ضارة بالصحة. لا تستشقق هذه الأثرية. ارتد قناعا واقيا من الأثرية مناسبا.

لا يجوز استخدام مواد بنجم عنها أضرار على الصحة (حبر صخري).

الرجاء إيقاف تشغيل الجهاز على الفور في حالة عرقلة أداة الاستعمال!
 لا تقم بتشغيل الجهاز مرة أخرى، طالما أن الأداة المستعملة لازالت في حالة عرقلة حيث يمكن أن يحدث هنا ارتداد عكسي مصحوب بقوة رد فعل عالية.

قم بالبحث وإزالة أسباب عرقلة أداة الاستعمال مع مراعاة تعليمات الأمان.

من المحتمل أن تكون الأسباب هي:

- أبعاد في القطعة المخصصة للاستعمال
- اختراق المواد المخصصة للاستعمال
- زيادة الحمل على الآلة الكهربائية
- لا تلاصق ببيك الماكينة أثناء دورانها.
- الأداة المستخدمة قد تسخن خلال الاستخدام.
- تحذير! هناك خطر الإصابة بحروق
- عدم استبدال الأداة
- عدم وضع الجهاز

لا يجب إزالة الشرارة والنشطا أثناء تشغيل الآلة.

عند العمل في سقف الجوانب أو الأرضية، توخ الحذر وتجنب الكابلات الكهربائية وأنابيب الغاز أو المياه.

قم بتأمين القطعة المستعملة من المواد في تجبيرة تثبيت.

القطع المستخدمة من المواد الخيز مرزمة يمكن أن تسبب في إصابات وأضرار حادة.

قم بإزالة حزمة البطارية قبل البدء في أي أعمال على الجهاز.

لا تتلصق من البطاريات المستعملة مع النفايات المنزلية أو بحرقها. يقدم موزع ميلوكي خدمة استعادة البطاريات القديمة لحماية البيئة.

لا تقم بتخزين البطارية مع الأشياء المعدنية (خطر قصر الدائرة).

استخدم فقط شواحن System 18V لشحن بطاريات System 18V. لا تستخدم بطاريات من أنظمة أخرى.

لا تقم أبدا بفتح قفل البطارية والشواحن ولا تخزنهم إلا في غرف جافة. وحافظ عليها جاف طوال الوقت.

تحذير! اقرأ جميع تحذيرات الأمان والتعليمات والصور والموصفات الواردة مع هذه المعدة الكهربائية. المخالفة في اتباع التعليمات المذكورة أسفله قد يكون نتيجتها صدمة كهربائية، حريق و / أو إصابة بالغة.

احتفظ بجميع التحذيرات والتعليمات للرجوع إليها في المستقبل.

تحذيرات السلامة عند استخدام المقابب

د واهبات الأذن عند استخدام المقابب. ارتد قد بسبب التعرض للضوضاء إلى فقدان السمع.

استخدم المقابب الإضافية، إذا كانت مرتفعة مع الأداة. قد يسبب فقدان السيطرة حدوث إصابة شخصية.

امسك الآلة الكهربائية من أسطح القبض المعزولة فقط، وذلك عند القيام بعملية قد يلمس فيها أحد ملحقات الآلة القطع أسلاك مخفية أو السلك الخاص بها.

تنسب ملامسة أحد ملحقات آلة القطع بسلك كهربائي، "موصلة" في جعل الأجزاء المعدنية المكشوفة بالآلة الكهربائية، "موصلة" كهربائيا مما يجعل المشغل عرضة لصدمة كهربائية.

لا تستخدم أبدا عزم دوران أعلى من القيمة القصوى لعزم الدوران المنصوص عليها في مجموعة الحفر.

في حالة استخدام عزم دوران أعلى قد تنتهي مجموعة الحفر إذا كانت تنور دون ملامسة قطعة العمل، الأمر الذي قد يؤدي إلى وقوع إصابات.

إذا العمل دائما بعزم دوران منخفض، مع ملامسة عدة الحفر مع قطعة العمل أثناء ذلك. في حالة استخدام عزم دوران أعلى قد تنتهي مجموعة الحفر إذا كانت تنور دون ملامسة قطعة العمل، الأمر الذي قد يؤدي إلى وقوع إصابات.

ابق الضغط دائما في اتجاه مباشر على مجموعة الحفر، ولا تضغط أبدا بإحكام بالغ. قد تنتهي مجموعة الحفر وتتكسر أو ينجم عن ذلك فقدان السيطرة على الجهاز، الأمر الذي قد يؤدي إلى وقوع إصابات.

تحذيرات السلامة عند استخدام مقك البرغي:

يجب الإمسك بالآلة الكهربائية من خلال أسطح القبض المعزولة وذلك عند القيام بعمله ما حيث قد تلامس أداة التثبيت أسلاك مخفية.

إن ملامسة أدوات التثبيت للأسلاك الكهربائية، "الموصلة" قد يجعل الأجزاء المعدنية المكشوفة من الآلة الكهربائية، "موصلة للكهرباء" وبالتالي فقد يجعل المشغل عرضة لصدمة كهربائية.

إرشادات أمان وعمل إضافية

استخدم معدة الوقاية. ارتد دائما نظارة الوقاية عند العمل بالآلة. يتصح باستخدام الملابس الواقية مثل

الكمامات الواقية من الغبار، والقفازات، والأحذية القوية غير المنزلة، والخوذات، وواقيات الأذن.

Copyright 2018
Techtronic Industries GmbH
Max-Eyth-Straße 10
71364 Winnenden
Germany
+49 (0) 7195-12-0



(07.18)

4931 4700 80