

Product data sheet
Paper towel dispenser 900.06.00960

HEWI

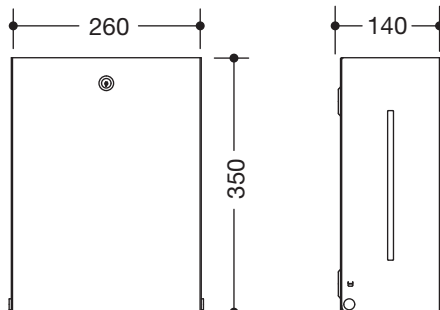


Paper towel dispenser 900.06.00960

- angular base body
- serves to hold standard paper towels with different folds in the width 235 - 250 mm and folded length / depth of 80 - 110 mm (HEWI recommends paper towels with Z-fold)
- filling quantity approx. 300 - 450 paper towels
- level indicator at the side
- protection against misuse by locking device
- 260 mm wide, 350 mm high and 140 mm deep
- for wall mounting
- made of high-quality stainless steel, powder coated in the HEWI colours DX (matt white), DC (matt black), AY (matt light grey pearl mica) and SC (matt dark grey pearl mica)
- including corrosion-free HEWI fixing material



Dimensions in mm

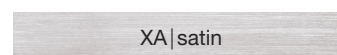


Surfaces/Colours



The colour AY will be discontinued 31.03.2023

Alternative surface



Technical information subject to alteration, 30th March 2022

HEWI Heinrich Wilke GmbH
Postfach 1260
D-34442 Bad Arolsen

Telefon: +49 5691 82-366
Telefax: +49 5691 82-99366
international@hewi.com
www.hewi.com

HEWI (UK) Limited
Holm Oak Barn, Beluncle Halt
Stoke Road
Hoo Kent ME3 9NT

Phone +44 1634 258 200
Fax +44 1634 250 099
info@hewi.co.uk
www.hewi.com