

Milwaukee®

Nothing but **HEAVY DUTY**.®



PD2E 22 R

PD2E 24 R

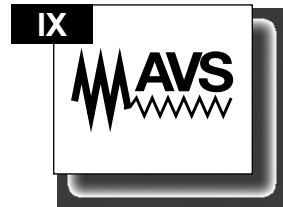
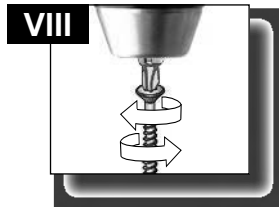
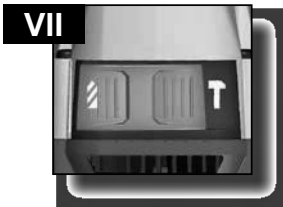
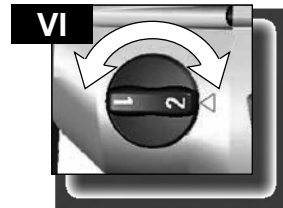
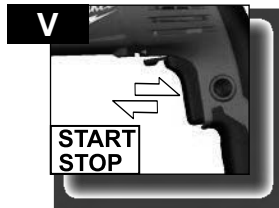
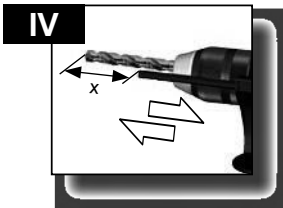
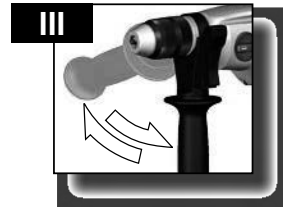
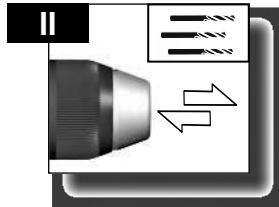
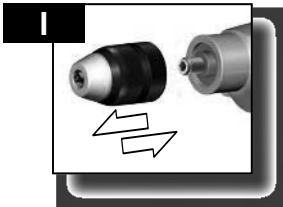
Original instructions
Originalbetriebsanleitung
Notice originale
Istruzioni originali
Manual original
Manual original
Oorspronkelijke
gebruiksaanwijzing
Original brugsanvisning
Original bruksanvisning

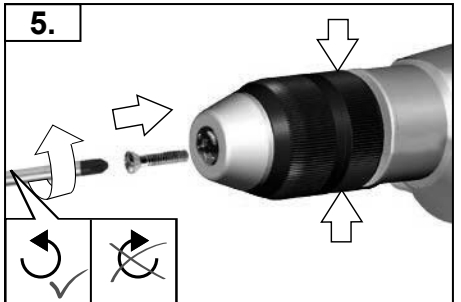
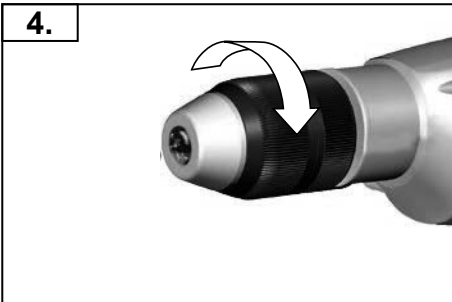
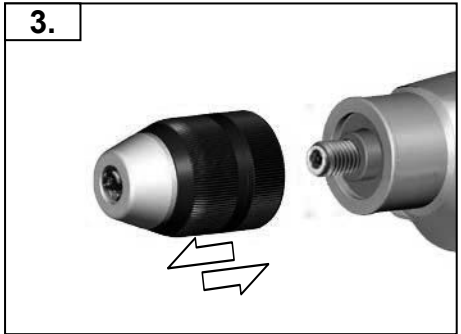
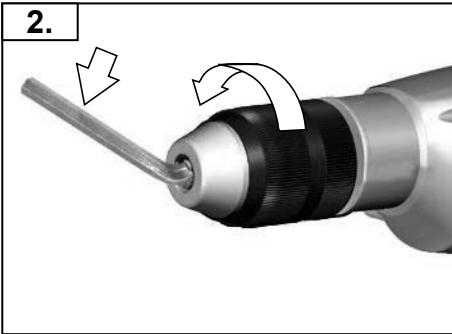
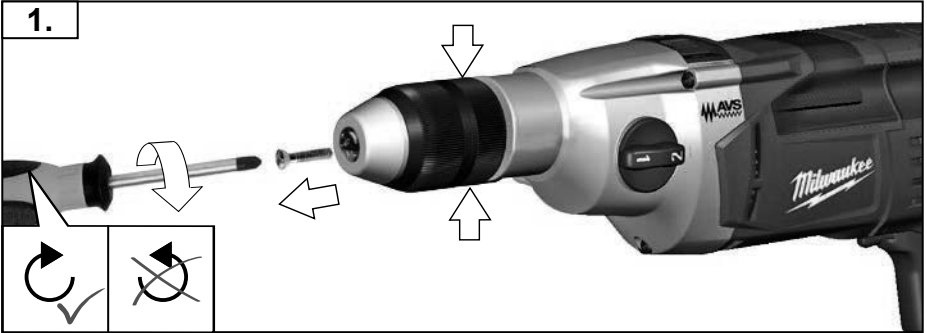
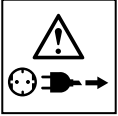
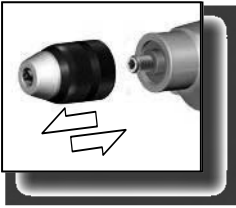
Bruksanvisning i original
Alkuperäiset ohjeet
Πρωτότυπο οδηγιών χρήσης
Orijinal işletme talimatı
Původním návodem k používání
Pôvodný návod na použitie
Instrukcja oryginalną
Eredeti használati utasítás
Izvirna navodila
Originalne pogonske upute

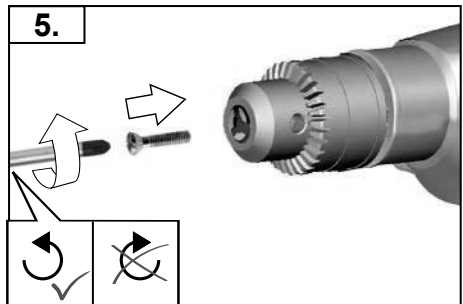
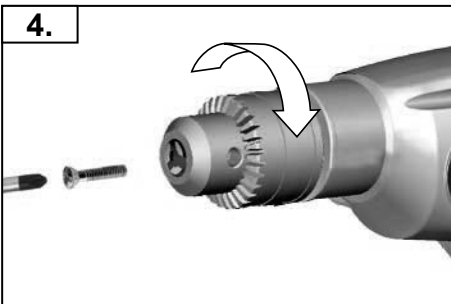
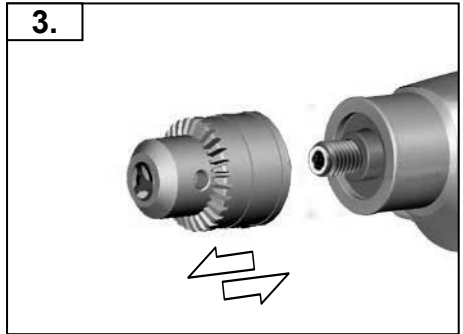
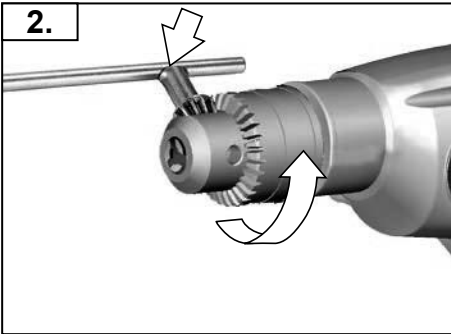
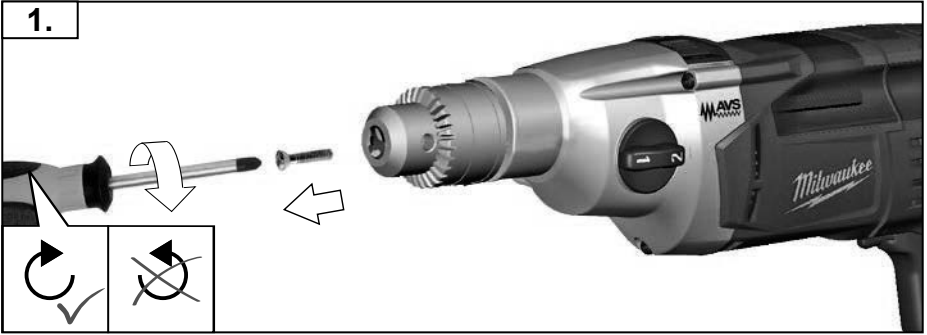
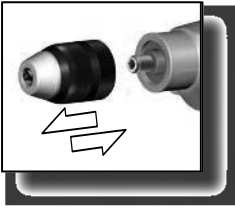
Instrukcijām oriēināvalodā
Originali instrukcija
Algupärane kasutusjuhend
Оригинальное руководство
по эксплуатации
Оригинално ръководство за
експлоатация
Instrucțiuni de folosire originale
Оригинален прирачник за
работа
原始的指南

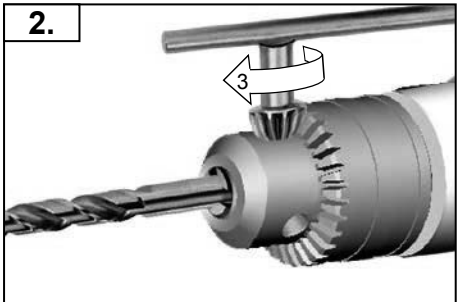
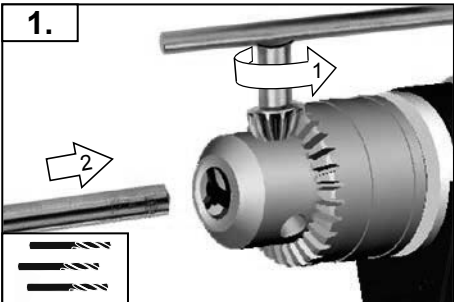
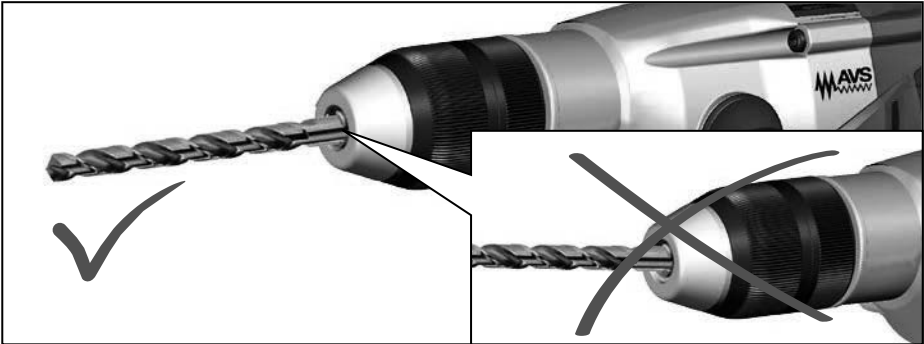
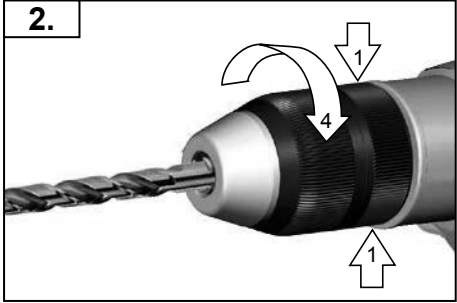
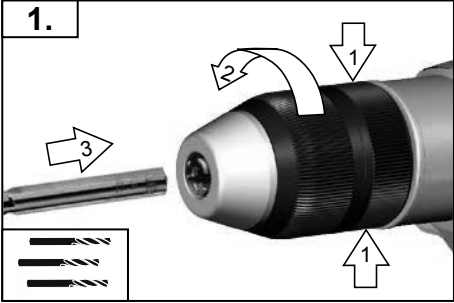
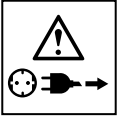
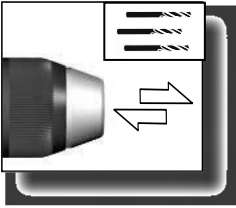
Technical Data, Safety Instructions, Specified Conditions of Use, EC-Declaration of Conformity, Mains Connection, Maintenance, Symbols	Please read and save these instructions!	English	13
Technische Daten, Sicherheitshinweise, Bestimmungsgemäße Verwendung, CE-Konformitätserklärung, Netzanschluss, Wartung, Symbole	Bitte lesen und aufbewahren!	Deutsch	16
Caractéristiques techniques, Instructions de sécurité, Utilisation conforme aux prescriptions, Déclaration CE de Conformité, Branchement secteur, Entretien, Symboles	A lire et à conserver soigneusement	Français	19
Dati tecnici, Norme di sicurezza, Utilizzo conforme, Dichiarazione di Conformità CE, Collegamento alla rete, Manutenzione, Simboli	Si prega di leggere e conservare le istruzioni!	Italiano	22
Datos técnicos, Instrucciones de seguridad, Aplicación de acuerdo a la finalidad, Declaración de Conformidad CE, Conexión eléctrica, Mantenimiento, Símbolos	Lea y conserve estas instrucciones por favor!	Español	25
Características técnicas, Instruções de segurança, Utilização autorizada, Declaração de Conformidade CE, Ligações à rede, Manutenção, Símbolo	Por favor leia e conserve em seu poder!	Português	28
Technische gegevens, Veiligheidsadviezen, Voorgeschreven gebruik van het systeem, EC-Konformiteitsverklaring, Net aansluiting, Onderhoud, Symbolen	Lees en let goed op deze adviezen!	Nederlands	31
Tekniske data, Sikkerhedshenvisninger, Tiltænk formål, CE-Konformitetserklæring, Netttilslutning, Vedligeholdelse, Symboler	Vær venlig at læse og opbevare!	Dansk	34
Tekniske data, Spesielle sikkerhedshenvisninger, Formålsmessig bruk, CE-Samsvarserklæring, Nettettkopling, Vedlikehold, Symboler	Vennligst les og oppbevar!	Norsk	37
Tekniska data, Säkerhetsutrustning, Använd maskinen Enligt anvisningarna, CEFörsäkrad, Nätanslutning, Skötsel, Symboler	Läs igenom och spara!	Svenska	40
Tekniset arvot, Turvallisuusohjeet, Tarkoituksenmukainen käyttö, Todistus CE-standardinmukaisuudesta, Verkkoliitäntä, Huolto, Symbolit	Lue ja säilytä!	Suomi	43
Τεχνικά στοιχεία, Ειδικές υποδείξεις ασφαλείας, Χρήση σύμφωνα με το σκοπό προορισμού, Δήλωση πιστότητας ΕΚ, Μπαταρίες, Χαρακτηριστικά, Συντήρηση, Σύμβολα.	Παρακαλώ διαβάστε τις και φυλάξτε τις!	Ελληνικά	46
Teknik veriler, Güvenliğinizi için talimatlar, Kullanım, CE uygunluk beyanice, Şebeke bağlantısı, Bakım, Semboller	Lütfen okuyun ve saklayın	Türkçe	49
Technická data, Speciální bezpečnostní upozornění, Oblast využití, CE-prohlášení o shodě, Připojení na síť, Údržba, Symboly	Po přečtení uschovejte	Česky	52
Technické údaje, Špeciálne bezpečnostné pokyny, Použitie podľa predpisov, CE-Vyhlasenie konformity, Sieťová prípojka, Údržba, Symboly	Prosim prečítať a uschovať!	Slovensky	55
Dane techniczne, Specjalne zalecenia dotyczące bezpieczonestwa, Uzytkowanie zgodne z przeznaczeniem, Swiadectwo zgodnosci ce, Podlaczenie do sieci, Gwarancja, Symbole	Należy uważnie przeczytać i zachować do wglądu!	Polski	58
Műszaki adatok, Különleges biztonsági tudnivalók, Rendeltetésszerű használat, CE-azonossági nyilatkozatok, Hálózati csatlakoztatás, Karbantartás, Szimbólumok	Olvassa el és őrizze meg	Magyar	61
Tehnični podatki, Specialni varnostni napotki, Uporaba v skladu z namembnostjo, CE-izjava o konformnosti, Omrežni priključek, Vzdrževanje, Simboli	Prosim preberite in shranite!	Slovensko	64
Tehnički podaci, Specijalne sigurnosne upute, Propisna upotreba, CE-Izjava konformnosti, Priključak na mrežu, Održavanje, Simboli	Molimo pročitati i sačuvati	Hrvatski	67
Tehniske dati, Speciālie drošības noteikumi, Noteikumiem atbilstošs izmantojums, Atbilstība CE normām, Tikla pieslēgums, Apkope, Simboli	Pielikums lietošanas pamācībai	Latviski	70
Techniniai duomenys, Ypatingos saugumo nuorodos, Naudojimas pagal paskirti, CE Atitikties pareiškimas, Elektros tinklo jungtis, Techninis aptarnavimas, Simboliai	Prašome perskaityti ir neišmesti!	Lietuviškai	73
Tehnilised andmed, Spetsiaalsed turvajuhised, Kasutamise vastavalt otstarbele, EÜ Vastavusavaldus, Võrku ühendamine, Hooldus, Sümbolid	Palun lugege läbi ja hoidke alal!	Eesti	76
Технические данные, Рекомендации по технике безопасности, Используйте - вание, Подключение к электросети, Обслуживание, Символы	Пожалуйста прочтите и сохраните эту инструкцию.	Русский	79
Технически данни, Специални указания за безопасност, Използване по предназначение, CE-Декларация за съответствие, Свързване към мрежата, Поддръжка, Символи	Моля прочетете и запазете!	Български	82
Date tehnice, Instrucțiuni de securitate, Condiții de utilizare specificate, Declarație de conformitate, Accumulatori, Întreținere, Simboluri	Va rugăm citiți și păstrați aceste instrucțiuni	Română	85
Технички Податоци, Упатство За Употреба, Специфицирани Услови На Употреба, ЕУ-декларација За Сообразност, БАТЕРИИ, Одржување, Символи	Ве молиме прочитајте го и чувајте го ова упатство!	Македонски	88
技术数据, 特殊安全指示, 正确地使用机器, 电源插头, 蓄电池, 维修, 符号	请仔细阅读并妥善保存!	中文	91

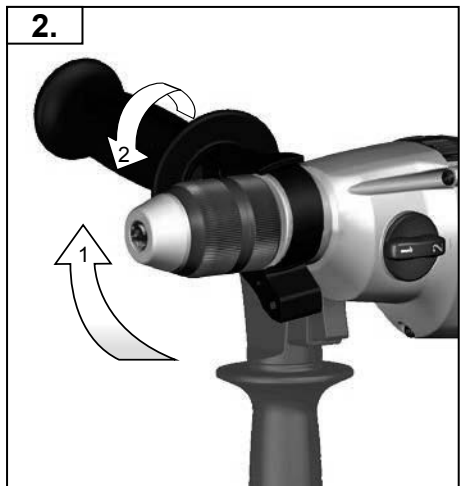
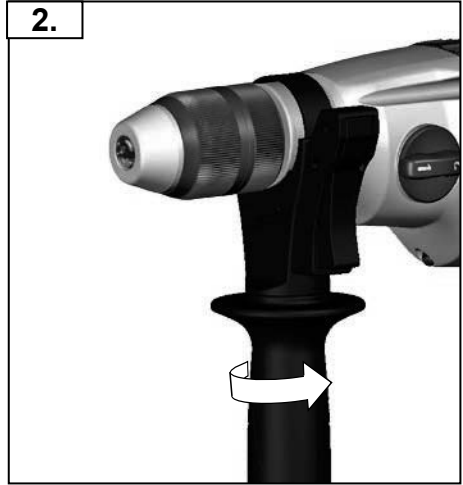
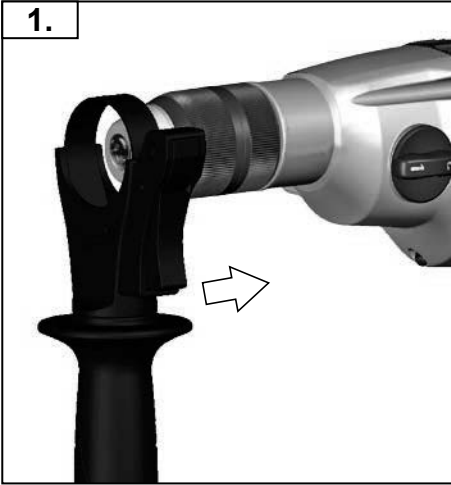
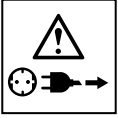
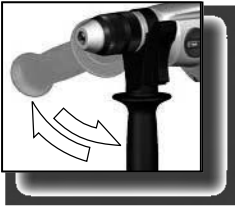


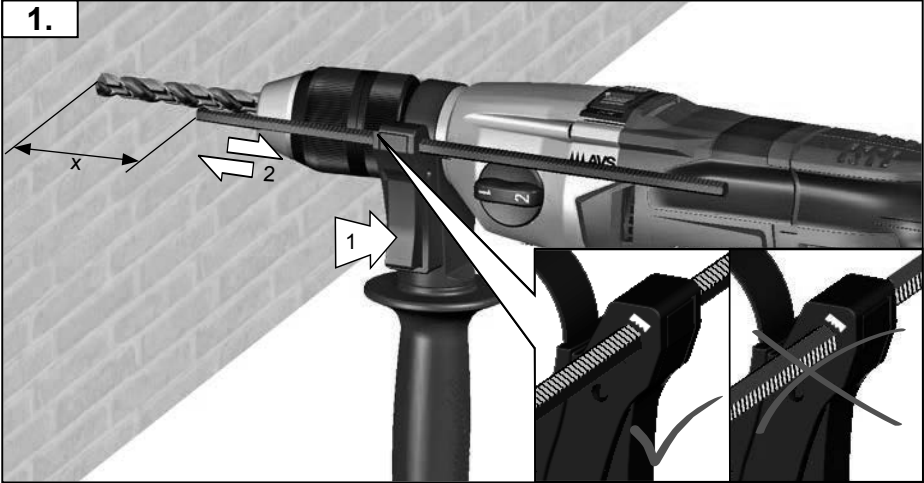
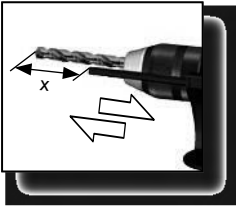


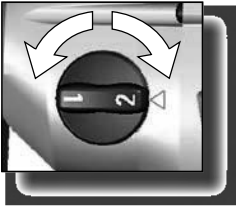


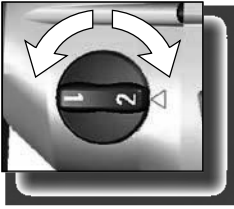












Den Gangschalter niemals bei eingeschalteter Maschine, sondern nur im Stillstand betätigen.

Never use the gear switch whilst the machine is operating. Only use the switch when the machine is at a standstill.

Ne jamais actionner le commutateur sélectif pendant que la machine est enclenchée, mais seulement si elle est à l'arrêt.

Non azionare l'interruttore per il cambio di velocità mai con macchina accesa, ma solo da ferma.

No utilizar jamás el cambio de velocidades estando la máquina conectada, accionar únicamente al estar enterrumpido el funcionamiento.

Nunca accionar o interruptor de velocidades con a máquina ligada, mas sempre com ela parada.

Bedien de versnellingschakelaar alléén wanneer de machine stilstaat en nooit wanneer de machine ingeschakeld is.

Gearskifte må ikke aktiveres, når maskinen er tændt - maskinen skal være slukket.

Girstangen skal aldri betjenes, når maskinen er påslått. Den skal bare betjenes, når maskinen er i stillstand.

Växelomkopplaren får inte manövreras när verktyget är påslaget, utan endast i avstängt läge.

Älä koskaan siirrä vaihdekytkintä toiseen asentoon koneen käydessä, vaan ainoastaan sen seistessä.

Δεν χειρίζεστε ποτέ το διακόπτη ταχύτητας με ενεργοποιημένη τη μηχανή, αλλά μόνο όταν αυτή είναι ακινητοποιημένη.

Hız şalterine kesinlikle alet çalışırken basmayın, şaltere sadece alet durduğunda basın.

Přepínač rychlostí nepoužívejte nikdy při zapnutém stroji, nýbrž pouze v klidovém stavu.

Nikdy neprepínat rýchlosť, keď je skrutkovač v behu. Rýchlosť nastaviť, len keď je skrutkovač vypnutý.

Nigdy nie naciskať preláčznika zmeny biegów przy włączonej maszynie, lecz tylko w stanie zatrzymanym maszyny.

Ha a gép be van kapcsolva, soha ne használjuk a sebességkapcsolót, az csak leállás után használható.

Stikala za brzine nikoli ne aktivirajte pri vključenem stroju, ampak samo v mirovanju.

Predbirac brzine nemojte nikada uporabiti uz uključen stroj, nego samo u stanju mirovanja stroja.

Ätruma regulatoru nedrīks pārslēgt, kamēr instruments darbojas, bet gan tikai tad, kad tas ir apstādīnāts.

Greičio perjungimo jungiklio niekada nejunkite, kai mašina veikia. Jį junkite tik tada, kai mašina nesisuka.

Käigulülitit ei tohi kunagi lülitada, kui masin on sisse lülitatud, vaid alati ainult siis, kui masin on seiskunud.

Ни в коем случае не пользоваться переключателем скорости при включенном инструменте!

Никога не задействуйте превключателя на скоростите при включена машина, а само когато машината е спряла.

Nu acționați niciodată întrerupătorul motorului în timp ce mașina este în funcțiune. Folosiți întrerupătorul numai când mașina este oprită.

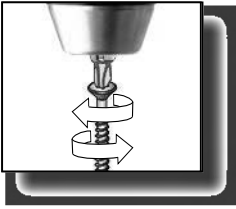
Никогаш не поместувајте го менувачот за брзина при вклучена машина, туку само во состојба на мирување.

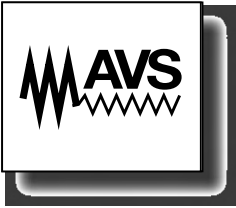
开动机器后千万不可以使用换档器。待机器完全静止时才可以换档。



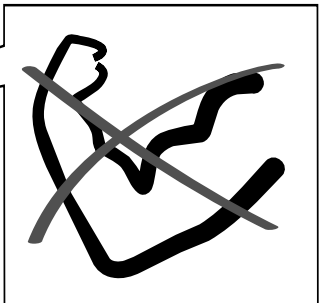
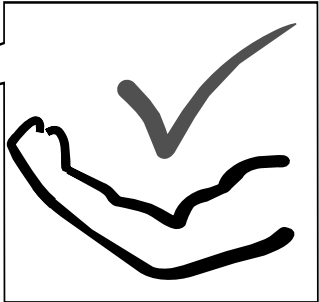
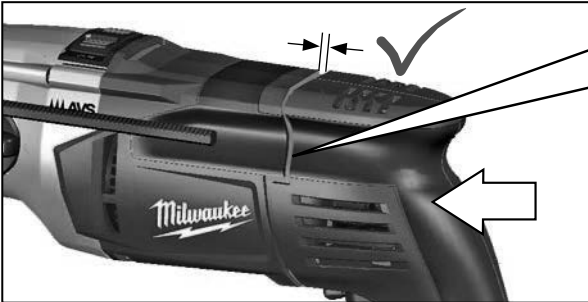
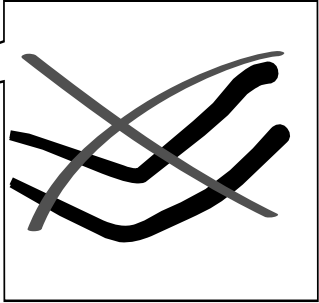
VII







AVS
EX



TECHNICAL DATA Percussion Drill	PD2E 22 R (110 V)	PD2E 22 R (220-240 V)	PD2E 24 R (220-240 V)
Production code	4195 91 01... ... 000001-999999	4195 71 01... ... 000001-999999	4195 96 01... ... 000001-999999
Rated input	800 W	850 W	1020 W
Output	430 W	460 W	540 W
No-load speed, 1st gear	0-1000 min ⁻¹	0-1000 min ⁻¹	0-1000 min ⁻¹
No-load speed, 2nd gear	0-3200 min ⁻¹	0-3200 min ⁻¹	0-3200 min ⁻¹
Speed under load max., 1st gear	0-680 min ⁻¹	0-680 min ⁻¹	0-680 min ⁻¹
Speed under load max., 2nd gear	0-2100 min ⁻¹	0-2100 min ⁻¹	0-2100 min ⁻¹
Rate of percussion under load max.	40 000 min ⁻¹	40 000 min ⁻¹	40 000 min ⁻¹
Static jamming moment *	56/30 Nm	56/30 Nm	60/33 Nm
Drilling capacity in concrete	20 mm	20 mm	22 mm
Drilling capacity in brick and tile	22 mm	22 mm	24 mm
Drilling capacity in steel	13 mm	13 mm	16 mm
Drilling capacity in wood	40 mm	40 mm	40 mm
Drill chuck range	1,5-13 mm	1,5-13 mm	1,5-13 mm
Drive shank	1/2" x 20	1/2" x 20	1/2" x 20
Chuck neck diameter	43 mm	43 mm	43 mm
Weight according EPTA-Procedure 01/2003	2,8 kg	2,8 kg	2,9 kg
Noise/Vibration Information			
Measured values determined according to EN 60 745. Typically, the A-weighted noise levels of the tool are:			
Sound pressure level (Uncertainty K=3dB(A))	98 dB (A)	98 dB (A)	96 dB (A)
Sound power level (Uncertainty K=3dB(A))	109 dB (A)	109 dB (A)	107 dB (A)
Wear ear protectors!			
Vibration total values (triaxial vector sum) determined according to EN 60745			
Drilling into metal:			
Vibration emission value a _{h,D}	7,6 m/s ²	7,6 m/s ²	10,0 m/s ²
Uncertainty K=	1,5 m/s ²	1,5 m/s ²	1,5 m/s ²
Impact drilling into concrete			
Vibration emission value a _{h,10}	17,1 m/s ²	17,1 m/s ²	17,8 m/s ²
Uncertainty K=	1,5 m/s ²	1,5 m/s ²	1,5 m/s ²

* Measured according to Milwaukee norm N 877318

WARNING

The vibration emission level given in this information sheet has been measured in accordance with a standardised test given in EN 60745 and may be used to compare one tool with another. It may be used for a preliminary assessment of exposure.

The declared vibration emission level represents the main applications of the tool. However if the tool is used for different applications, with different accessories or poorly maintained, the vibration emission may differ. This may significantly increase the exposure level over the total working period.

An estimation of the level of exposure to vibration should also take into account the times when the tool is switched off or when it is running but not actually doing the job. This may significantly reduce the exposure level over the total working period.

Identify additional safety measures to protect the operator from the effects of vibration such as: maintain the tool and the accessories, keep the hands warm, organisation of work patterns.



GB

⚠ WARNING! Read all safety warnings and all instructions. Failure to follow the warnings and instructions may result in electric shock, fire and/or serious injury.
Save all warnings and instructions for future reference.

⚠ DRILL SAFETY WARNINGS

Wear ear protectors when impact drilling. Exposure to noise can cause hearing loss.

Use auxiliary handle(s), if supplied with the tool. Loss of control can cause personal injury.

Hold power tool by insulated gripping surfaces, when performing an operation where the cutting accessory may contact hidden wiring or its own cord. Cutting accessory contacting a "live" wire may make exposed metal parts of the power tool "live" and could give the operator an electric shock.

Additional Safety and Working Instructions:

Use protective equipment. Always wear safety glasses when working with the machine. The use of protective clothing is recommended, such as dust mask, protective gloves, sturdy non-slip footwear, helmet and ear defenders.

Keep mains lead clear from working range of the machine. Always lead the cable away behind you.

Do not machine any materials that present a danger to health (e.g. asbestos).

When working in walls ceiling, or floor, take care to avoid electric cables and gas or waterpipes.

Clamp your workpiece with a clamping device. Unclamped workpieces can cause severe injury and damage.

Do not use diamond core drills on hammer mode.

Switch the device off immediately if the insertion tool stalls! Do not switch the device on again while the insertion tool is stalled, as doing so could trigger a sudden recoil with a high reactive force. Determine why the insertion tool stalled and rectify this, paying heed to the safety instructions.

The possible causes may be:

- it is tilted in the workpiece to be machined
- it has pierced through the material to be machined
- the power tool is overloaded

Do not reach into the machine while it is running.

The insertion tool may become hot during use.

WARNING!! Danger of burns

- when changing tools
- when setting the device down

Chips and splinters must not be removed while the machine is running.

Before doing any work on the machine, pull the plug out of the socket.

SPECIFIED CONDITIONS OF USE

The drill can be universally used for drilling and percussion drilling.

Do not use this product in any other way as stated for normal use.

EC-DECLARATION OF CONFORMITY

We declare under our sole responsibility that the product described under "Technical Data" fulfills all the relevant provisions of the directives 2011/65/EU (RoHS), 2004/108/EC, 2006/42/EC and the following harmonized standards have been used:

EN 60745-1:2009 + A11:2010

EN 60745-2-1:2010

EN 55014-1:2006 + A1:2009 + A2:2011

EN 55014-2:1997 + A1:2001 + A2:2008

EN 61000-3-2:2006 + A1:2009 + A2:2009

EN 61000-3-3:2008



Winnenden, 2014-04-24

Alexander Krug / Managing Director
Authorized to compile the technical file

Techtronic Industries GmbH
Max-Eyth-Straße 10, 71364 Winnenden, Germany

MAINS CONNECTION

Appliances used at many different locations including wet room and open air must be connected via a residual current device (FI, RCD, PRCD) of 30mA or less.

Connect only to single-phase AC system voltage as indicated on the rating plate. It is also possible to connect to sockets without an earthing contact as the design conforms to safety class II.

Make sure the machine is switched off before plugging in.

MAINTENANCE

The ventilation slots of the machine must be kept clear at all times.

If the machine is mainly used for percussion drilling, regularly remove collected dust from the chuck. To remove the dust hold the machine with the chuck facing down vertically, and completely open and close the chuck. The collected dust will fall from the chuck. It is recommended to regularly use cleaner for the clamping jaws and the clamping jaw borings.

If the supply cord of this appliance is damaged, it must only be replaced by a repair shop appointed by the manufacturer, to avoid hazardous situations.

Use only Milwaukee accessories and Milwaukee spare parts. Should components need to be replaced which have not been described, please contact one of our Milwaukee service agents (see our list of guarantee/service addresses).

If needed, an exploded view of the tool can be ordered. Please state the machine type printed as well as the six-digit No. on the label and order the drawing at your local service agents or directly at: Techtronic Industries GmbH, Max-Eyth-Straße 10, 71364 Winnenden, Germany.

SYMBOLS



CAUTION! WARNING! DANGER!



Before doing any work on the machine, pull the plug out of the socket.



Please read the instructions carefully before starting the machine.



Accessory - Not included in standard equipment, available as an accessory.



Do not dispose of electric tools together with household waste material. Electric tools and electronic equipment that have reached the end of their life must be collected separately and returned to an environmentally compatible recycling facility. Check with your local authority or retailer for recycling advice and collection point.



Class II tool Tool in which protection against electric shock does not rely on basic insulation only, but in which additional safety precautions, such as double insulation or reinforced insulation, are provided.



European Conformity Mark





TECHNISCHE DATEN Schlagbohrmaschine	PD2E 22 R (110 V)	PD2E 22 R (220-240 V)	PD2E 24 R (220-240 V)
Produktionsnummer	4195 91 01... ... 000001-999999	4195 71 01... ... 000001-999999	4195 96 01... ... 000001-999999
Nennaufnahmeleistung	800 W	850 W	1020 W
Abgabeleistung	430 W	460 W	540 W
Leerlaufdrehzahl, 1. Gang	0-1000 min ⁻¹	0-1000 min ⁻¹	0-1000 min ⁻¹
Leerlaufdrehzahl, 2. Gang	0-3200 min ⁻¹	0-3200 min ⁻¹	0-3200 min ⁻¹
Lastdrehzahl max., 1. Gang	0-680 min ⁻¹	0-680 min ⁻¹	0-680 min ⁻¹
Lastdrehzahl max., 2. Gang	0-2100 min ⁻¹	0-2100 min ⁻¹	0-2100 min ⁻¹
Lastschlagzahl max.	40 000 min ⁻¹	40 000 min ⁻¹	40 000 min ⁻¹
Statisches Blockiermoment *	56/30 Nm	56/30 Nm	60/33 Nm
Bohr-Ø in Beton	20 mm	20 mm	22 mm
Bohr-Ø in Ziegel und Kalksandstein	22 mm	22 mm	24 mm
Bohr-Ø in Stahl	13 mm	13 mm	16 mm
Bohr-Ø in Holz	40 mm	40 mm	40 mm
Bohrfutterspannbereich	1,5-13 mm	1,5-13 mm	1,5-13 mm
Bohrspindel	1/2" x 20	1/2" x 20	1/2" x 20
Spannhals-Ø	43 mm	43 mm	43 mm
Gewicht nach EPTA-Prozedur 01/2003	2,8 kg	2,8 kg	2,9 kg
Geräusch/Vibrationsinformation			
Messwerte ermittelt entsprechend EN 60 745. Der A-bewertete Geräuschpegel des Gerätes beträgt typischerweise:			
Schalldruckpegel (Unsicherheit K=3dB(A))	98 dB (A)	98 dB (A)	96 dB (A)
Schallleistungspegel (Unsicherheit K=3dB(A))	109 dB (A)	109 dB (A)	107 dB (A)
Gehörschutz tragen!			
Schwingungsgesamtwerte (Vektorsumme dreier Richtungen) ermittelt entsprechend EN 60745.			
Bohren in Metall:			
Schwingungsemissionswert a _{h,d}	7,6 m/s ²	7,6 m/s ²	10,0 m/s ²
Unsicherheit K=	1,5 m/s ²	1,5 m/s ²	1,5 m/s ²
Schlagbohren in Beton			
Schwingungsemissionswert a _{h,10}	17,1 m/s ²	17,1 m/s ²	17,8 m/s ²
Unsicherheit K=	1,5 m/s ²	1,5 m/s ²	1,5 m/s ²

* Gemessen nach Milwaukee Norm N 877318

WARNUNG

Der in diesen Anweisungen angegebene Schwingungspegel ist entsprechend einem in EN 60745 genormten Messverfahren gemessen worden und kann für den Vergleich von Elektrowerkzeugen miteinander verwendet werden. Er eignet sich auch für eine vorläufige Einschätzung der Schwingungsbelastung.

Der angegebene Schwingungspegel repräsentiert die hauptsächlichen Anwendungen des Elektrowerkzeugs. Wenn allerdings das Elektrowerkzeug für andere Anwendungen, mit abweichenden Einsatzwerkzeugen oder ungenügender Wartung eingesetzt wird, kann der Schwingungspegel abweichen. Dies kann die Schwingungsbelastung über den gesamten Arbeitszeitraum deutlich erhöhen.

Für eine genaue Abschätzung der Schwingungsbelastung sollten auch die Zeiten berücksichtigt werden, in denen das Gerät abgeschaltet ist oder zwar läuft, aber nicht tatsächlich im Einsatz ist. Dies kann die Schwingungsbelastung über den gesamten Arbeitszeitraum deutlich reduzieren.

Legen Sie zusätzliche Sicherheitsmaßnahmen zum Schutz des Bedieners vor der Wirkung von Schwingungen fest wie zum Beispiel: Wartung von Elektrowerkzeug und Einsatzwerkzeugen, Warmhalten der Hände, Organisation der Arbeitsabläufe.

⚠️ WARNUNG! Lesen Sie alle Sicherheitshinweise und Anweisungen. Versäumnisse bei der Einhaltung der Sicherheitshinweise und Anweisungen können elektrischen Schlag, Brand und/oder schwere Verletzungen verursachen. **Bewahren Sie alle Sicherheitshinweise und Anweisungen für die Zukunft auf.**

⚠️ SICHERHEITSHINWEISE FÜR BOHRMASCHINEN:

Tragen Sie Gehörschutz beim Schlagbohren. Die Einwirkung von Lärm kann Gehörverlust bewirken.

Benutzen Sie mit dem Gerät gelieferte Zusatzhandgriffe. Der Verlust der Kontrolle kann zu Verletzungen führen.

Halten Sie das Gerät an den isolierten Griffflächen, wenn Sie Arbeiten ausführen, bei denen das Einsatzwerkzeug verborgene Stromleitungen oder das eigene Netzkabel treffen kann. Der Kontakt mit einer spannungsführenden Leitung kann auch metallene Geräteteile unter Spannung setzen und zu einem elektrischen Schlag führen.

Weitere Sicherheits- und Arbeitshinweise

Schutzausrüstung verwenden. Beim Arbeiten mit der Maschine stets Schutzbrille tragen. Schutzkleidung wie Staubschutzmaske, Schutzhandschuhe, festes und rutschsicheres Schuhwerk, Helm und Gehörschutz werden empfohlen.

Anschlusskabel stets vom Wirkungsbereich der Maschine fernhalten. Kabel immer nach hinten von der Maschine wegführen.

Es dürfen keine Materialien bearbeitet werden, von denen eine Gesundheitsgefährdung ausgeht (z.B. Asbest).

Beim Arbeiten in Wand, Decke oder Fußboden auf elektrische Kabel, Gas- und Wasserleitungen achten.

Sichern Sie Ihr Werkstück mit einer Spannvorrichtung. Nicht gesicherte Werkstücke können schwere Verletzungen und Beschädigungen verursachen.

Bei Arbeiten mit Diamantbohrkronen Schlagwerk ausschalten.

Beim Blockieren des Einsatzwerkzeuges bitte das Gerät sofort ausschalten! Schalten Sie das Gerät nicht wieder ein, solange das Einsatzwerkzeug blockiert ist; hierbei könnte ein Rückschlag mit hohem Reaktionsmoment entstehen. Ermitteln und beheben Sie die Ursache für die Blockierung des Einsatzwerkzeuges unter Berücksichtigung der Sicherheitshinweise.

Mögliche Ursachen dafür können sein:

- Verkanten im zu bearbeitenden Werkstück
- Durchbrechen des zu bearbeitenden Materials
- Überlasten des Elektrowerkzeuges

Greifen Sie nicht in die laufende Maschine.

Das Einsatzwerkzeug kann während der Anwendung heiß werden. **WARNUNG!! Verbrennungsgefahr**

- bei Werkzeugwechsel
- bei Ablegen des Gerätes

Späne oder Splitter dürfen bei laufender Maschine nicht entfernt werden.

Vor allen Arbeiten am Gerät den Stecker aus der Steckdose ziehen.

BESTIMMUNGSGEMÄSSE VERWENDUNG

Der Schlagbohrer ist universell einsetzbar zum Bohren und Schlagbohren.

Dieses Gerät darf nur wie angegeben bestimmungsgemäß verwendet werden.

CE-KONFORMITÄTSERKLÄRUNG

Wir erklären in alleiniger Verantwortung, dass das unter „Technische Daten“ beschriebene Produkt mit allen relevanten Vorschriften der Richtlinie 2011/65/EU (RoHS), 2004/108/EG, 2006/42/EG und den folgenden harmonisierten normativen Dokumenten übereinstimmt:

EN 60745-1:2009 + A11:2010
EN 60745-2-1:2010
EN 55014-1:2006 + A1:2009 + A2:2011
EN 55014-2:1997 + A1:2001 + A2:2008
EN 61000-3-2:2006 + A1:2009 + A2:2009
EN 61000-3-3:2008



Winnenden, 2014-04-24

Alexander Krug / Managing Director
Bevollmächtigt die technischen Unterlagen zusammenzustellen.

Techtronic Industries GmbH
Max-Eyth-Straße 10, 71364 Winnenden, Germany

NETZANSCHLUSS

Steckdosen in Feuchträumen und Außenbereichen müssen mit Fehlerstrom-Schutzschaltern (FI, RCD, PRCD) ausgerüstet sein. Das verlangt die Installationsvorschrift für Ihre Elektroanlage. Bitte beachten Sie das bei der Verwendung unseres Gerätes.

Nur an Einphasen-Wechselstrom und nur an die auf dem Leistungsschild angegebene Netzspannung anschließen. Anschluss ist auch an Steckdosen ohne Schutzkontakt möglich, da ein Aufbau der Schutzklasse II vorliegt.

Gerät nur ausgeschaltet an die Steckdose anschließen.

WARTUNG

Stets die Lüftungsschlitze der Maschine sauber halten.

Bei häufigem Schlagbohrbetrieb sollte das Bohrfutter regelmäßig von Staub befreit werden. Hierzu die Maschine mit dem Bohrfutter senkrecht nach unten halten und das Bohrfutter über den gesamten Spannungsbereich öffnen und schließen. Der angesammelte Staub fällt so aus dem Bohrfutter. Die regelmäßige Verwendung von Reinigungsspray an den Spannbacken und Spannbackenbohrungen wird empfohlen.

Wenn die Netzanschlussleitung beschädigt ist, muss diese durch eine Kundendienststelle ausgewechselt werden, um Gefährdungen zu vermeiden.

Nur Milwaukee Zubehör und Milwaukee Ersatzteile verwenden. Bauteile, deren Austausch nicht beschrieben wurde, bei einer Milwaukee Kundendienststelle auswechseln lassen (Broschüre Garantie/Kundendienstadressen beachten).

Bei Bedarf kann eine Explosionszeichnung des Gerätes unter Angabe der Maschinen Type und der sechsstelligen Nummer auf dem Leistungsschild bei Ihrer Kundendienststelle oder direkt bei Techtronic Industries GmbH, Max-Eyth-Straße 10, 71364 Winnenden, Germany angefordert werden.



D

SYMBOLE



ACHTUNG! WARNUNG! GEFAHR!



Vor allen Arbeiten am Gerät den Stecker aus der Steckdose ziehen.



Bitte lesen Sie die Gebrauchsanweisung vor Inbetriebnahme sorgfältig durch.



Zubehör - Im Lieferumfang nicht enthalten, empfohlene Ergänzung aus dem Zubehörprogramm.



Elektrogeräte dürfen nicht zusammen mit dem Hausmüll entsorgt werden. Elektrische und elektronische Geräte sind getrennt zu sammeln und zur umweltgerechten Entsorgung bei einem Verwertungsbetrieb abzugeben. Erkundigen Sie sich bei den örtlichen Behörden oder bei Ihrem Fachhändler nach Recyclinghöfen und Sammelstellen.



Elektrowerkzeug der Schutzklasse II. Elektrowerkzeug, bei dem der Schutz vor einem elektrischen Schlag nicht nur von der Basisisolierung abhängt, sondern auch davon, dass zusätzliche Schutzmaßnahmen, wie doppelte Isolierung oder verstärkte Isolierung, angewendet werden.



CE-Zeichen



CARACTÉRISTIQUES TECHNIQUES Perceuse à Percussion	PD2E 22 R (110 V)	PD2E 22 R (220-240 V)	PD2E 24 R (220-240 V)
Numéro de série	4195 91 01... ... 000001-999999	4195 71 01... ... 000001-999999	4195 96 01... ... 000001-999999
Puissance nominale de réception	800 W	850 W	1020 W
Puissance utile	430 W	460 W	540 W
Vitesse de rotation à vide, 1ère vitesse	0-1000 min ⁻¹	0-1000 min ⁻¹	0-1000 min ⁻¹
Vitesse de rotation à vide, 2ème vitesse	0-3200 min ⁻¹	0-3200 min ⁻¹	0-3200 min ⁻¹
Vitesse de rotation en charge, 1ère vitesse	0-680 min ⁻¹	0-680 min ⁻¹	0-680 min ⁻¹
Vitesse de rotation en charge, 2ème vitesse	0-2100 min ⁻¹	0-2100 min ⁻¹	0-2100 min ⁻¹
Perçage à percussion en charge max.	40 000 min ⁻¹	40 000 min ⁻¹	40 000 min ⁻¹
Moment de blocage statique *	56/30 Nm	56/30 Nm	60/33 Nm
∅ de perçage dans le béton	20 mm	20 mm	22 mm
∅ de perçage dans brique et grès argilo-calcaire	22 mm	22 mm	24 mm
∅ de perçage dans acier	13 mm	13 mm	16 mm
∅ de perçage dans bois	40 mm	40 mm	40 mm
Plage de serrage du mandrin	1,5-13 mm	1,5-13 mm	1,5-13 mm
Broche de perçage	1/2" x 20	1/2" x 20	1/2" x 20
∅ du collier de serrage	43 mm	43 mm	43 mm
Poids suivant EPTA-Procédure 01/2003	2,8 kg	2,8 kg	2,9 kg
Informations sur le bruit et les vibrations			
Valeurs de mesure obtenues conformément à la EN 60 745. Les mesures réelles (des niveaux acoustiques de l'appareil sont :			
Niveau de pression acoustique (Incertitude K=3dB(A))	98 dB (A)	98 dB (A)	96 dB (A)
Niveau d'intensité acoustique (Incertitude K=3dB(A))	109 dB (A)	109 dB (A)	107 dB (A)
Toujours porter une protection acoustique!			
Valeurs totales des vibrations (somme vectorielle de trois sens) établies conformément à EN 60745.			
Perçage dans le métal:			
Valeur d'émission vibratoire a _{h,d}	7,6 m/s ²	7,6 m/s ²	10,0 m/s ²
Incertitude K=	1,5 m/s ²	1,5 m/s ²	1,5 m/s ²
Perçage à percussion dans le béton			
Valeur d'émission vibratoire a _{h,10}	17,1 m/s ²	17,1 m/s ²	17,8 m/s ²
Incertitude K=	1,5 m/s ²	1,5 m/s ²	1,5 m/s ²

* Mesuré selon la norme Milwaukee N 877318

AVERTISSEMENT

Le niveau vibratoire indiqué dans ces instructions a été mesuré selon un procédé de mesure normalisé dans la norme EN 60745 et peut être utilisé pour comparer des outils électriques entre eux. Il convient aussi à une estimation provisoire de la sollicitation par les vibrations. Le niveau vibratoire indiqué représente les applications principales de l'outil électrique. Toutefois, si l'outil électrique est utilisé pour d'autres applications, avec des outils rapportés qui diffèrent ou une maintenance insuffisante, il se peut que le niveau vibratoire diverge. Cela peut augmenter nettement la sollicitation par les vibrations sur tout l'intervalle de temps du travail.

Pour une estimation précise de la sollicitation par les vibrations, on devrait également tenir compte des temps pendant lesquels l'appareil n'est pas en marche ou tourne sans être réellement en service. Cela peut réduire nettement la sollicitation par les vibrations sur tout l'intervalle de temps du travail.

Définissez des mesures de sécurité supplémentaires pour protéger l'utilisateur contre l'influence des vibrations, comme par exemple : la maintenance de l'outil électrique et des outils rapportés, le maintien au chaud des mains, l'organisation des déroulements de travail.



⚠ AVERTISSEMENT! Lisez toutes les consignes de sécurité et les instructions. Le non-respect des avertissements et instructions indiqués ci après peut entraîner un choc électrique, un incendie et/ou de graves blessures sur les personnes.
Bien garder tous les avertissements et instructions.

⚠ INSTRUCTIONS DE SÉCURITÉ POUR LES FOREUSES

Porter un casque de protection au cours du perçage à percussion. L'exposition au bruit pourrait provoquer une diminution de l'ouïe.

Utilisez les poignées supplémentaires livrées en même temps que l'appareil. La perte de contrôle peut mener à des blessures.

Maintenez l'appareil par les surfaces de poignée isolées lorsque vous exécutez des travaux pendant lesquels l'outil de coupe peut toucher des lignes électriques dissimulées ou le propre câble. Le contact de l'outil de coupe avec un câble qui conduit la tension peut mettre les pièces métalliques de l'appareil sous tension et mener à une décharge électrique.

Avis complémentaires de sécurité et de travail

Utiliser l'équipement de protection. Toujours porter des lunettes de protection pendant le travail avec la machine. Il est recommandé de porter des articles de protection, tels que masque antipoussière, gants de protection, chaussures tenant bien aux pieds et antidérapantes, casque et protection acoustique.

Le câble d'alimentation doit toujours se trouver en dehors du champ d'action de la machine. Toujours maintenir le câble d'alimentation à l'arrière de la machine.

Il est interdit de travailler des matériaux dangereux pour la santé (par ex. amiante).

Lors du perçage dans les murs, les plafonds ou les planchers, toujours faire attention aux câbles électriques et aux conduites de gaz et d'eau.

Fixer fermement la pièce en exécution à l'aide d'un dispositif de serrage. Des pièces en exécution non fermement fixées peuvent provoquer des dommages et des lésions graves.

Toujours déconnecter le mécanisme de percussion lorsqu'on travaille avec la couronne de perçage diamantée.

Désactiver immédiatement le dispositif en cas de blocage ! Ne pas réactiver le dispositif avec l'outil bloqué; il y a le risque de provoquer un contre-coup avec moment de réaction élevé. Établir et éliminer la cause du blocage de l'outil en prêtant attention aux consignes de sécurité.

Les causes possibles sont :

- Encastrement dans la pièce à travailler.
- Le dispositif a traversé le matériau à travailler en le cassant.
- Le dispositif électrique a été surchargé.

Ne pas approcher les mains de la partie en mouvement de la machine.

Durant l'utilisation, l'outil peut se surchauffer.

AVERTISSEMENT!! Danger de brûlures

- durant le remplacement de l'outil
- durant la dépose de l'outil

Ne jamais enlever les copeaux ni les éclats lorsque la machine est en marche.

Toujours extraire la fiche hors de la prise de courant avant d'intervenir sur l'appareil.

UTILISATION CONFORME AUX PRESCRIPTIONS

La perceuse à percussion est conçue pour un travail universel de perçage normal et de perçage à percussion

Comme déjà indiqué, cette machine n'est conçue que pour être utilisée conformément aux prescriptions.

DECLARATION CE DE CONFORMITÉ

Nous déclarons sous notre propre responsabilité que le produit décrit aux "Données techniques" est conforme à toutes les dispositions des directives 2011/65/EU (RoHS), 2004/108/CE, 2006/42/CE et des documents normatifs harmonisés suivants:

EN 60745-1:2009 + A11:2010

EN 60745-2-1:2010

EN 55014-1:2006 + A1:2009 + A2:2011

EN 55014-2:1997 + A1:2001 + A2:2008

EN 61000-3-2:2006 + A1:2009 + A2:2009

EN 61000-3-3:2008



Winnenden, 2014-04-24

Alexander Krug / Managing Director

Autorisé à compiler la documentation technique.

Techtronic Industries GmbH

Max-Eyth-Straße 10, 71364 Winnenden, Germany

BRANCHEMENT SECTEUR

Les prises de courant se trouvant à l'extérieur doivent être équipées de disjoncteurs différentiel (FI, RCD, PRCD) conformément aux prescriptions de mise en place de votre installation électrique. Veuillez en tenir compte lors de l'utilisation de notre appareil.

Raccorder uniquement à un courant électrique monophasé et uniquement à la tension secteur indiquée sur la plaque signalétique. Le raccordement à des prises de courant sans contact de protection est également possible car la classe de protection II est donnée.

Ne relier l'appareil à la prise de courant que lorsqu'il est débranché.

ENTRETIEN

Tenir toujours propres les orifices de ventilation de la machine.

Au cas où la machine serait souvent utilisée en mode de percussion, il est recommandé d'enlever les poussières se trouvant dans le mandrin de serrage à intervalles réguliers. Tenir la machine dans la position verticale, le mandrin de serrage vers le bas, et desserrer et resserrer le plus possible le mandrin de serrage. Toute la poussière accumulée tombe ainsi du mandrin de serrage. Il est recommandé d'utiliser régulièrement le spray de nettoyage sur les mâchoires et les alésages des mâchoires de serrage.

Si le conducteur de connexion au réseau secteur est endommagé, celui-ci doit être remplacé par un poste de service après-vente pour éviter des mises en danger.

Utiliser uniquement les accessoires Milwaukee et les pièces détachées Milwaukee. Faire remplacer les composants dont le remplacement n'a pas été décrit, par un des centres de service après-vente Milwaukee (observer la brochure avec les adresses de garantie et de service après-vente).

En cas de besoin il est possible de demander un dessin éclaté du dispositif en indiquant le modèle de la machine et le numéro de six chiffres imprimé sur la plaquette de puissance et en s'adressant au centre d'assistance technique ou directement à Techtronic Industries GmbH, Max-Eyth-Straße 10, 71364 Winnenden, Germany.

SYMBOLES



ATTENTION! AVERTISSEMENT! DANGER!



Toujours extraire la fiche hors de la prise de courant avant d'intervenir sur l'appareil.



Veuillez lire avec soin le mode d'emploi avant la mise en service



Accessoires - Ces pièces ne font pas partie de la livraison. Il s'agit là de compléments recommandés pour votre machine et énumérés dans le catalogue des accessoires.



Les dispositifs électriques ne sont pas à éliminer dans les déchets ménagers. Les dispositifs électriques et électroniques sont à collecter séparément et à remettre à un centre de recyclage en vue de leur élimination dans le respect de l'environnement. S'adresser aux autorités locales ou au détaillant spécialisé en vue de connaître l'emplacement des centres de recyclage et des points de collecte.



Outil électrique en classe de protection II Outil électrique équipé d'une protection contre la fulguration électrique qui ne dépend seulement de l'isolation de base mais aussi de l'application d'autres mesures de protection telles qu'une double isolation ou une isolation augmentée.



Marque CE



DATI TECNICI Trapani a percussione	PD2E 22 R (110 V)	PD2E 22 R (220-240 V)	PD2E 24 R (220-240 V)
Numero di serie	4195 91 01... ... 000001-999999	4195 71 01... ... 000001-999999	4195 96 01... ... 000001-999999
Potenza assorbita nominale	800 W	850 W	1020 W
Potenza erogata	430 W	460 W	540 W
Numero di giri a vuoto, 1. velocità	0-1000 min ⁻¹	0-1000 min ⁻¹	0-1000 min ⁻¹
Numero di giri a vuoto, 2. velocità	0-3200 min ⁻¹	0-3200 min ⁻¹	0-3200 min ⁻¹
Numero di giri a carico, max., 1. velocità	0-680 min ⁻¹	0-680 min ⁻¹	0-680 min ⁻¹
Numero di giri a carico, max., 2. velocità	0-2100 min ⁻¹	0-2100 min ⁻¹	0-2100 min ⁻¹
Percussione a pieno carico, max.	40 000 min ⁻¹	40 000 min ⁻¹	40 000 min ⁻¹
Momento di bloccaggio statico *	56/30 Nm	56/30 Nm	60/33 Nm
∅ Foratura in calcestruzzo	20 mm	20 mm	22 mm
∅ Foratura in mattone e in arenaria calcarea	22 mm	22 mm	24 mm
∅ Foratura in acciaio	13 mm	13 mm	16 mm
∅ Foratura in legno	40 mm	40 mm	40 mm
Capacità mandrino	1,5-13 mm	1,5-13 mm	1,5-13 mm
Attacco mandrino	1/2" x 20	1/2" x 20	1/2" x 20
∅ Collarino di fissaggio	43 mm	43 mm	43 mm
Peso secondo la procedura EPTA 01/2003.	2,8 kg	2,8 kg	2,9 kg
Informazioni sulla rumorosità/sulle vibrazioni			
Valori misurati conformemente alla norma EN 60 745. La misurazione A del livello di pressione acustica dell'utensile è di solito di:			
Livello di rumorosità (Incertezza della misura K=3dB(A))	98 dB (A)	98 dB (A)	96 dB (A)
Potenza della rumorosità (Incertezza della misura K=3dB(A))	109 dB (A)	109 dB (A)	107 dB (A)
Utilizzare le protezioni per l'udito!			
Valori totali delle oscillazioni (somma di vettori in tre direzionimisurati conformemente alla norma EN 60745			
Perforazione in metallo:			
Valore di emissione dell'oscillazione a _{h,d}	7,6 m/s ²	7,6 m/s ²	10,0 m/s ²
Incertezza della misura K=	1,5 m/s ²	1,5 m/s ²	1,5 m/s ²
Perforazione a percussione			
Valore di emissione dell'oscillazione a _{h,d}	17,1 m/s ²	17,1 m/s ²	17,8 m/s ²
Incertezza della misura K=	1,5 m/s ²	1,5 m/s ²	1,5 m/s ²

* Misurato conf. norma N 877318 Milwaukee

AVVERTENZA

Il livello di vibrazioni indicato nelle presenti istruzioni è stato misurato in conformità con un procedimento di misurazione codificato nella EN 60745 e può essere utilizzato per un confronto tra attrezzi elettrici. Inoltre si può anche utilizzare per una valutazione preliminare della sollecitazione da vibrazioni.

Il livello di vibrazioni indicato rappresenta le applicazioni principali dell'attrezzo elettrico. Se viceversa si utilizza l'attrezzo elettrico per altri scopi, con accessori differenti o con una manutenzione insufficiente, il livello di vibrazioni può risultare diverso. E questo può aumentare decisamente la sollecitazione da vibrazioni lungo l'intero periodo di lavorazione.

Ai fini di una valutazione precisa della sollecitazione da vibrazioni si dovrebbero tenere presente anche i periodi in cui l'apparecchio rimane spento oppure, anche se acceso, non viene effettivamente utilizzato. Ciò può ridurre notevolmente la sollecitazione da vibrazioni lungo l'intero periodo di lavorazione.

Stabilite misure di sicurezza supplementari per la tutela dell'operatore dall'effetto delle vibrazioni, come ad esempio: manutenzione dell'attrezzo elettrico e degli accessori, riscaldamento delle mani, organizzazione dei processi di lavoro.

AVVERTENZA! E' necessario leggere tutte le indicazioni di sicurezza e le istruzioni. In caso di mancato rispetto delle avvertenze di pericolo e delle istruzioni operative si potrà creare il pericolo di scosse elettriche, incendi e/o incidenti gravi.
Conservare tutte le avvertenze di pericolo e le istruzioni operative per ogni esigenza futura.

ISTRUZIONI DI SICUREZZA PER MACCHINE PERFORATRICI

Indossare cuffie protettive durante la trapanatura a percussione. L'esposizione al rumore potrebbe comportare una riduzione dell'udito.

Utilizzare l'utensile con la sua impugnatura supplementare. La perdita di controllo potrebbe causare danneggiamenti all'utilizzatore.

Impugnare l'apparecchio sulle superfici di tenuta isolate mentre si eseguono lavori durante i quali l'utensile da taglio potrebbe entrare in contatto con cavi di corrente o con il proprio cavo d'alimentazione. L'eventuale contatto dell'utensile da taglio con un cavo sotto tensione potrebbe mettere sotto tensione le parti metalliche dell'apparecchio e provocare una folgorazione.

Ulteriori avvisi di sicurezza e di lavoro

Usare dispositivi di protezione. Durante il lavoro con la macchina bisogna sempre portare occhiali di protezione. Si consiglia di indossare indumenti di protezione come maschera antipolvere, guanti di protezione, scarpe antiscivolo robuste, casco e cuffie di protezione acustica.

Tenere sempre lontano il cavo di collegamento dall'area di lavoro dell'attrezzo.

E' vietato lavorare materiali che possono costituire pericoli alla salute (ad es. amianto).

Forando pareti, soffitti o pavimenti, si faccia attenzione ai cavi elettrici e alle condutture dell'acqua e del gas.

Fissare in sicurezza il pezzo in lavorazione con un dispositivo di serraggio. Pezzi in lavorazione che non siano fissati in sicurezza possono causare gravi lesioni e danni.

Disattivare la percussione quando si lavora con corone a forare diamantate.

Spegnere immediatamente il dispositivo in caso di bloccaggio! Non riaccendere il dispositivo fino a quando l'utensile ad inserto resta bloccato; esiste il rischio di causare un contraccolpo con elevato momento di reazione. Rilevare ed eliminare la causa del bloccaggio dell'utensile ad inserto tenendo conto delle indicazioni di sicurezza.

Le possibili cause sono:

- Incastro nel pezzo in lavorazione
- Il dispositivo ha attraversato il materiale da lavorare rompendolo
- Il dispositivo elettrico è stato sovraccaricato

Non avvicinare le mani alla parte della macchina in movimento.

Durante l'uso l'utensile ad inserto può surriscaldarsi.

- AVVERTENZA!!** Pericolo di ustioni
- durante la sostituzione dell'utensile
 - durante il deposito dell'utensile

Non rimuovere trucioli o schegge mentre l'utensile è in funzione.

Prima di effettuare qualsiasi lavoro sull'apparecchio, estrarre la spina dalla presa di corrente

UTILIZZO CONFORME

Il trapano a percussione può essere utilizzato per forare e forare a percussione.

Utilizzare il prodotto solo per l'uso per cui è previsto.

DICHIARAZIONE DI CONFORMITÀ CE

Dichiariamo sotto la nostra esclusiva responsabilità che il prodotto descritto ai „Dati tecnici“ corrisponde a tutte le disposizioni delle direttive 2011/65/EU (RoHS), 2004/108/CE, 2006/42/CE e successivi documenti normativi armonizzati:

EN 60745-1:2009 + A11:2010
EN 60745-2-1:2010
EN 55014-1:2006 + A1:2009 + A2:2011
EN 55014-2:1997 + A1:2001 + A2:2008
EN 61000-3-2:2006 + A1:2009 + A2:2009
EN 61000-3-3:2008



Winnenden, 2014-04-24

Alexander Krug / Managing Director
Autorizzato alla preparazione della documentazione tecnica

Techtronic Industries GmbH
Max-Eyth-Straße 10, 71364 Winnenden, Germany

COLLEGAMENTO ALLA RETE

Gli apparecchi mobili usati all'aperto devono essere collegati interponendo un interruttore di sicurezza (FI, RCD, PRCD) per guasti di corrente.

Connettere solo corrente alternata mono fase e solo al sistema di voltaggio indicato sulla piastra. E' possibile anche connettere la presa senza un contatto di messa a terra così come prevede lo schema conforme alla norme di sicurezza di classe II.

Inserire la spina nella presa di corrente solo ad apparecchio spento

MANUTENZIONE

Tener sempre ben pulite le fessure di ventilazione dell'apparecchio.

Se la macchina è prevalentemente usata per trapanatura a percussione, rimuovere regolarmente la polvere dal mandrino. Per rimuovere la polvere tenere la macchina con il mandrino verso il basso in posizione verticale e aprire e chiudere completamente il mandrino. La polvere cadrà dal mandrino. Si raccomanda un uso regolare di pulitori per le ganasce e le fessure delle ganasce.

Se è danneggiato l'allacciamento alla rete, lo stesso dovrà essere sostituito da un servizio di assistenza ai clienti per evitare rischi.

Usare solo accessori Milwaukee e pezzi di ricambio Milwaukee. Gruppi costruttivi la cui sostituzione non è stata descritta, devono essere fatti cambiare da un punto di servizio di assistenza tecnica al cliente Milwaukee (vedi depliant garanzia/indirizzi assistenza tecnica ai clienti).

In caso di necessità è possibile richiedere un disegno esploso del dispositivo indicando il modello della macchina ed il numero a sei cifre sulla targa di potenza rivolgendosi al centro di assistenza tecnica o direttamente a Techtronic Industries GmbH, Max-Eyth-Straße 10, 71364 Winnenden, Germany.



SIMBOLI



ATTENZIONE! AVVERTENZA! PERICOLO!



Prima di effettuare qualsiasi lavoro sull'apparecchio, estrarre la spina dalla presa di corrente



Leggere attentamente le istruzioni per l'uso prima di mettere in funzione l'elettrotensile.



Accessorio - Non incluso nella dotazione standard, disponibile a parte come accessorio.



I dispositivi elettrici non devono essere smaltiti con i rifiuti domestici. I dispositivi elettrici ed elettronici devono essere raccolti separatamente e devono essere conferiti ad un centro di riciclaggio per lo smaltimento rispettoso dell'ambiente. Chiedere alle autorità locali o al rivenditore specializzato dove si trovano i centri di riciclaggio e i punti di raccolta.



Utensile elettrico di classe di protezione II Utensile elettrico sul quale la protezione contro la folgorazione elettrica non dipende soltanto dall'isolamento di base, ma anche dall'applicazione di ulteriori misure di protezione, come il doppio isolamento o l'isolamento maggiorato.



Marchio CE



DATOS TÉCNICOS Taladro con Percusión	PD2E 22 R (110 V)	PD2E 22 R (220-240 V)	PD2E 24 R (220-240 V)
Número de producción	4195 91 01... ... 000001-999999	4195 71 01... ... 000001-999999	4195 96 01... ... 000001-999999
Potencia de salida nominal	800 W	850 W	1020 W
Potencia entregada	430 W	460 W	540 W
Velocidad en vacío, 1ª velocidad	0-1000 min ⁻¹	0-1000 min ⁻¹	0-1000 min ⁻¹
Velocidad en vacío, 2ª velocidad	0-3200 min ⁻¹	0-3200 min ⁻¹	0-3200 min ⁻¹
Velocidades en carga max., 1ª velocidad	0-680 min ⁻¹	0-680 min ⁻¹	0-680 min ⁻¹
Velocidades en carga max., 2ª velocidad	0-2100 min ⁻¹	0-2100 min ⁻¹	0-2100 min ⁻¹
Frecuencia de impactos bajo carga	40 000 min ⁻¹	40 000 min ⁻¹	40 000 min ⁻¹
Par de bloqueo estático *	56/30 Nm	56/30 Nm	60/33 Nm
Diámetro de taladrado en hormigón	20 mm	20 mm	22 mm
Diámetro de taladrado ladrillo y losetas	22 mm	22 mm	24 mm
Diámetro de taladrado en acero	13 mm	13 mm	16 mm
Diámetro de taladrado en madera	40 mm	40 mm	40 mm
Gama de apertura del portabrocas	1,5-13 mm	1,5-13 mm	1,5-13 mm
Eje de accionamiento	1/2" x 20	1/2" x 20	1/2" x 20
Diámetro de cuello de amarre	43 mm	43 mm	43 mm
Peso de acuerdo con el procedimiento EPTA 01/2003	2,8 kg	2,8 kg	2,9 kg
Información sobre ruidos / vibraciones			
Determinación de los valores de medición según norma EN 60 745. El nivel de ruido típico del aparato determinado con un filtro A corresponde a:			
Presión acústica (Tolerancia K=3dB(A))	98 dB (A)	98 dB (A)	96 dB (A)
Resonancia acústica (Tolerancia K=3dB(A))	109 dB (A)	109 dB (A)	107 dB (A)
Usar protectores auditivos!			
Nivel total de vibraciones (suma vectorial de tres direcciones) determinado según EN 60745.			
Taladrado en metal:			
Valor de vibraciones generadas a _{h, D}	7,6 m/s ²	7,6 m/s ²	10,0 m/s ²
Tolerancia K=	1,5 m/s ²	1,5 m/s ²	1,5 m/s ²
taladrado de percusión			
Valor de vibraciones generadas a _{h, ID}	17,1 m/s ²	17,1 m/s ²	17,8 m/s ²
Tolerancia K=	1,5 m/s ²	1,5 m/s ²	1,5 m/s ²

* Medido según norma Milwaukee N 877318

ADVERTENCIA

El nivel vibratorio indicado en estas instrucciones ha sido medido conforme a un método de medición estandarizado en la norma EN 60745, y puede utilizarse para la comparación entre herramientas eléctricas. También es apropiado para una estimación provisional de la carga de vibración.

El nivel vibratorio indicado representa las aplicaciones principales de la herramienta eléctrica. Si, pese a ello, se utiliza la herramienta eléctrica para otras aplicaciones, con útiles adaptables diferentes o con un mantenimiento insuficiente, el nivel vibratorio puede diferir. Esto puede incrementar sensiblemente la carga de vibración durante todo el periodo de trabajo.

Para una estimación exacta de la carga de vibración deberían tenerse en cuenta también los tiempos durante los que el aparato está apagado o, pese a estar en funcionamiento, no está siendo realmente utilizado. Esto puede reducir sustancialmente la carga de vibración durante todo el periodo de trabajo.

Adopte medidas de seguridad adicionales para la protección del operador frente al efecto de las vibraciones, como por ejemplo: mantenimiento de la herramienta eléctrica y de los útiles adaptables, mantener las manos calientes, organización de los procesos de trabajo.



E

⚠ ADVERTENCIA! Rogamos leer las indicaciones de seguridad y las instrucciones. En caso de no atenerse a las advertencias de peligro e instrucciones siguientes, ello puede ocasionar una descarga eléctrica, un incendio y/o lesión grave. **Guardar todas las advertencias de peligro e instrucciones para futuras consultas.**

⚠ INDICACIONES DE SEGURIDAD PARA TALADRADORAS

Utilice protectores de oídos al taladrar con percusión. La exposición a niveles de ruido excesivos puede causar la pérdida de audición.

¡Utilice las empuñaduras auxiliares suministradas con la herramienta! La pérdida de control de la herramienta puede causar accidentes

Sujete el aparato de las superficies aisladas de agarre al efectuar trabajos en los cuales la perforadora de percusión pueda entrar en contacto con conductores de corriente ocultos o con el propio cable. El contacto de la perforadora de percusión con un conducto con energía aplicada también podrá poner bajo tensión partes metálicas del aparato y causar un choque eléctrico.

Instrucciones adicionales de seguridad y laborales

Utilice el equipamiento de protección. Mientras trabaje con la máquina lleve siempre gafas protectoras. Se recomienda utilizar ropa de protección como máscara protectora contra el polvo, guantes protectores, calzado resistente y antideslizante, casco y protección para los oídos.

Mantener siempre el cable separado del radio de acción de la máquina.

No se deben trabajar materiales que conlleven un riesgo para la salud (por ej. amianto).

Para trabajar en paredes, techo o suelo, tenga cuidado para evitar los cables eléctricos y tuberías de gas o agua.

Fije la pieza de trabajo con un dispositivo de fijación. Las piezas de trabajo no fijadas pueden causar lesiones graves y deterioros.

No usar brocas huecas de diamante con la percusión aplicada.

¡En caso de que se bloquee el útil, el aparato se debe desconectar inmediatamente! No vuelva a conectar el aparato, mientras el útil esté bloqueado; se podría producir un rechazo debido a la reacción de retroceso brusca. Averigüe y elimine la causa del bloqueo del útil, teniendo en cuenta las indicaciones de seguridad.

Causas posibles para ello pueden ser:

- Atascamiento o bloqueo en la pieza de trabajo
- Rotura del material con el que está trabajando
- Sobrecarga de la herramienta eléctrica

No introduzca las manos en la máquina mientras ésta se encuentra en funcionamiento.

El útil se puede calentar durante el uso.

ADVERTENCIA!!! Peligro de quemaduras

- en caso de cambiar la herramienta
- en caso de depositar el aparato

Nunca se debe intentar limpiar el polvo o viruta procedente del taladrado con la máquina en funcionamiento.

Antes de realizar cualquier trabajo en la máquina, desenchufarla de la alimentación eléctrica.

APLICACIÓN DE ACUERDO A LA FINALIDAD

El taladro-atornillador se puede usar universalmente para taladrado normal y taladrado a percusión.

No utilice este producto para ninguna otra aplicación que no sea su uso normal.

DECLARACION DE CONFORMIDAD CE

Declaramos bajo nuestra responsabilidad que el producto descrito bajo „Datos técnicos“ está en conformidad con todas las normas relevantes de la directiva 2011/65/EU (RoHS), 2004/108/CE, 2006/42/CE y con las siguientes normas o documentos normalizados:

EN 60745-1:2009 + A11:2010

EN 60745-2-1:2010

EN 55014-1:2006 + A1:2009 + A2:2011

EN 55014-2:1997 + A1:2001 + A2:2008

EN 61000-3-2:2006 + A1:2009 + A2:2009

EN 61000-3-3:2008



Winnenden, 2014-04-24

Alexander Krug / Managing Director

Autorizado para la redacción de los documentos técnicos.

Techtronic Industries GmbH

Max-Eyth-Straße 10, 71364 Winnenden, Germany

CONEXIÓN ELÉCTRICA

Conecte siempre la máquina a una red protegida por interruptor diferencial y magnetotérmico (FI, RCD, PRCD), para su seguridad personal, según normas establecidas para instalaciones eléctricas de baja tensión.

Conectar solamente a corriente AC monofásica y sólo al voltaje indicado en la placa de características. También es posible la conexión a enchufes sin toma a tierra, dado que es conforme a la Clase de Seguridad II.

Asegurarse que la máquina está desconectada antes de enchufarla.

MANTENIMIENTO

Las ranuras de ventilación de la máquina deben estar despejadas en todo momento.

Si la máquina se usa principalmente para taladrado a percusión, limpie periódicamente el polvo acumulado en el portabrocas. Para limpiar el polvo, sujete la máquina con el portabrocas mirando verticalmente hacia abajo, y ábralo y ciérralo completamente. El polvo acumulado caerá del portabrocas. Se recomienda utilizar regularmente un limpiador para las mordazas de sujeción y los alojamientos de éstas.

Si el cable de alimentación de red está deteriorado, éste debe ser cambiado por el servicio postventa para evitar posibles peligros.

Utilice solamente accesorios y repuestos Milwaukee. En caso de necesitar reemplazar componentes no descritos, contacte con cualquiera de nuestras estaciones de servicio Milwaukee (consultar lista de servicio técnicos)

Puede solicitar, en caso necesario, una vista despiezada del aparato bajo indicación del tipo de máquina y el número de seis dígitos en la placa indicadora de potencia en su Servicio de Postventa o directamente en Techtronic Industries GmbH, Max-Eyth-Straße 10, 71364 Winnenden, Germany.

SÍMBOLOS



¡ATENCIÓN! ¡ADVERTENCIA! ¡PELIGRO!



Antes de realizar cualquier trabajo en la máquina, desenchufarla de la alimentación eléctrica.



Lea las instrucciones detenidamente antes de conectar la herramienta



Accesorio - No incluido en el equipo estándar, disponible en la gama de accesorios.



Los aparatos eléctricos no se deben eliminar junto con la basura doméstica. Los aparatos eléctricos y electrónicos se deben recoger por separado y se deben entregar a una empresa de reciclaje para una eliminación respetuosa con el medio ambiente. Infórmese en las autoridades locales o en su tienda especializada sobre los centros de reciclaje y puntos de recogida.



Herramienta eléctrica de la clase de protección II Herramientas eléctricas, en las que la protección contra un choque eléctrico no depende solamente del aislamiento básico sino también de la aplicación de medidas adicionales de protección, como doble aislamiento o aislamiento reforzado.



Marca CE





CARACTERÍSTICAS TÉCNICAS Berbequim com Percussão	PD2E 22 R (110 V)	PD2E 22 R (220-240 V)	PD2E 24 R (220-240 V)
Número de produção	4195 91 01... ... 000001-999999	4195 71 01... ... 000001-999999	4195 96 01... ... 000001-999999
Potência absorvida nominal	800 W	850 W	1020 W
Potência de saída	430 W	460 W	540 W
Nº de rotações em vazio, 1ª velocidade	0-1000 min ⁻¹	0-1000 min ⁻¹	0-1000 min ⁻¹
Nº de rotações em vazio, 2ª velocidade	0-3200 min ⁻¹	0-3200 min ⁻¹	0-3200 min ⁻¹
Velocidade de rotação máxima em carga max, 1ª velocidade	0-680 min ⁻¹	0-680 min ⁻¹	0-680 min ⁻¹
Velocidade de rotação máxima em carga max, 2ª velocidade	0-2100 min ⁻¹	0-2100 min ⁻¹	0-2100 min ⁻¹
Frequência de percussão em carga	40 000 min ⁻¹	40 000 min ⁻¹	40 000 min ⁻¹
Binário de bloqueio estático *	56/30 Nm	56/30 Nm	60/33 Nm
Ø de furo em betão	20 mm	20 mm	22 mm
Ø de furo em tijolo e calcário	22 mm	22 mm	24 mm
Ø de furo em aço	13 mm	13 mm	16 mm
Ø de furo em madeira	40 mm	40 mm	40 mm
Capacidade da bucha	1,5-13 mm	1,5-13 mm	1,5-13 mm
Veio da bucha	1/2" x 20	1/2" x 20	1/2" x 20
Ø da gola de aperto	43 mm	43 mm	43 mm
Peso nos termos do procedimento-EPTA 01/2003	2,8 kg	2,8 kg	2,9 kg
Informações sobre ruído/vibração			
Valores de medida de acordo com EN 60745. O nível de ruído avaliado A do aparelho é tipicamente:			
Nível da pressão de ruído (Incerteza K=3dB(A)) Nível da potência de ruído (Incerteza K=3dB(A)) Use protectores auriculares!	98 dB (A) 109 dB (A)	98 dB (A) 109 dB (A)	96 dB (A) 107 dB (A)
Valores totais de vibração (soma dos vectores das três direcções) determinadas conforme EN 60745.			
Furar em metal: Valor de emissão de vibração a _{h,D} Incerteza K=	7,6 m/s ² 1,5 m/s ²	7,6 m/s ² 1,5 m/s ²	10,0 m/s ² 1,5 m/s ²
Furar de impacto em betão Valor de emissão de vibração a _{h,1D} Incerteza K=	17,1 m/s ² 1,5 m/s ²	17,1 m/s ² 1,5 m/s ²	17,8 m/s ² 1,5 m/s ²

* Medido em conformidade com a Milwaukee Norm N 877318

ATENÇÃO

O nível vibratório indicado nestas instruções foi medido em conformidade com um procedimento de medição normalizado na EN 60745 e pode ser utilizado para comparar entre si ferramentas eléctricas. O mesmo é também adequado para avaliar provisoriamente o esforço vibratório.

O nível vibratório indicado representa as principais aplicações da ferramenta eléctrica. Se, no entanto, a ferramenta eléctrica for utilizada para outras aplicações, com outras ferramentas adaptadas ou uma manutenção insuficiente, o nível vibratório poderá divergir. Isto pode aumentar consideravelmente o esforço vibratório ao longo de todo o período do trabalho.

Para uma avaliação exacta do esforço vibratório devem também ser considerados os tempos durante os quais o aparelho está desligado ou está a funcionar, mas não está efectivamente a ser utilizado. Isto pode reduzir consideravelmente o esforço vibratório ao longo de todo o período do trabalho.

Defina medidas de segurança suplementares para proteger o operador do efeito das vibrações, como por exemplo: manutenção da ferramenta eléctrica e das ferramentas adaptadas, manter as mãos quentes, organização das sequências de trabalho.

ATENÇÃO! Leia todas as instruções de segurança e todas as instruções. O desrespeito das advertências e instruções apresentadas abaixo pode causar choque eléctrico, incêndio e/ou graves lesões.
Guarde bem todas as advertências e instruções para futura referência.

AVISOS DE SEGURANÇA PARA MÁQUINAS DE FURAR

Use uma protecção dos ouvidos ao usar o berbequim de percussão. Os ruídos podem causar surdez.

Sempre use os punhos adicionais fornecidos com o aparelho. A perda de controlo pode causar feridas.

Segure o aparelho nas superfícies de punho isoladas se estiver a executar trabalhos, nos quais a ferramenta de corte pode tocar em linhas eléctricas escondidas ou no próprio cabo. O contacto da ferramenta de corte com uma linha sob tensão também pode colocar peças metálicas do aparelho sob tensão e levar a um choque eléctrico.

Instruções de segurança e trabalho suplementares

Utilizar equipamento de protecção. Durante os trabalhos com a máquina, usar sempre óculos de protecção. Vestuário de protecção, bem como máscara de pó, sapatos fechados e antiderrapante, capacete e protecção auditiva são recomendados.

Manter sempre o cabo de ligação fora da zona de acção da máquina. Não devem ser processados materiais que representem um perigo para a saúde (p. ex. asbesto).

Ao trabalhar em paredes, tectos e soalhos prestar atenção a que não sejam atingidos cabos eléctricos e canalizações de gás e água.

Fixe a peça a trabalhar com um dispositivo de fixação. Peças a trabalhar não fixadas podem levar a feridas graves e danos sérios.

Ao trabalhar com brocas de coroa diamantadas desligar o mecanismo de percussão.

Desligue o aparelho imediatamente, quando a ferramenta de inserção bloquear! Não ligue o aparelho novamente durante o bloqueio da ferramenta de inserção, pois isso pode levar a um recuo repentino com uma alta força reactiva. Verifique e elimine a causa do bloqueio da ferramenta de inserção, observando as instruções de segurança.

Causas possíveis podem ser:

- Emperramento na peça a trabalhar
- Material a processar rompido
- Sobrecarga da ferramenta eléctrica

Não toque na máquina em operação.

A ferramenta de inserção pode ficar quente durante a operação.

ATENÇÃO!! Perigo de queimar-se

- na troca das ferramentas
- ao depositar o aparelho

Não remover aparas ou lascas enquanto a máquina trabalha.

Antes de efectuar qualquer intervenção no aspirador, desligá-lo da rede.

UTILIZAÇÃO AUTORIZADA

O berbequim aparafusador com percussão tem aplicação universal para furar e furar com percussão.

Não use este produto de outra maneira sem ser a normal para o qual foi concebido.

DECLARAÇÃO DE CONFORMIDADE CE

Declaramos sob responsabilidade exclusiva, que o produto descrito sob „Dados técnicos“ corresponde com todas as disposições relevantes da diretiva 2011/65/EU (RoHS), 2004/108/CE, 2006/42/CE e dos seguintes documentos normativos harmonizados.

EN 60745-1:2009 + A11:2010

EN 60745-2-1:2010

EN 55014-1:2006 + A1:2009 + A2:2011

EN 55014-2:1997 + A1:2001 + A2:2008

EN 61000-3-2:2006 + A1:2009 + A2:2009

EN 61000-3-3:2008



Winnenden, 2014-04-24

Alexander Krug / Managing Director
Autorizado a reunir a documentação técnica.

Techtronic Industries GmbH
Max-Eyth-Straße 10, 71364 Winnenden, Germany

LIGAÇÃO À REDE

Aparelhos não estacionários, utilizados ao ar livre, devem ser protegidos por um disjuntor de corrente de defeito (FI, RCD, PRCD). Só conectar à corrente alternada monofásica e só à tensão de rede indicada na placa de potência. A conexão às tomadas de rede sem contacto de segurana também é possível, pois trata-se duma construção da classe de protecção II.

Ao ligar o aspirador à rede, o interruptor deve encontrar-se na posição de desligado.

MANUTENÇÃO

Manter desobstruídos os rasgos de ventilação na carcaça da máquina.

Se a máquina for principalmente usada para furação com percussão, remova com regularidade a poeira acumulada na bucha. Para remover a poeira segure a máquina com a bucha a apontar para baixo verticalmente, e abra e feche completamente a bucha. A poeira acumulada irá cair da bucha. É recomendável usar regularmente um dispositivo de limpeza. Para as garras de aperto e para as limalhas das mesmas.

Se o cabo de conexão à rede estiver danificado, ele deverá ser trocado em um posto de assistência técnica para evitar riscos.

Utilizar apenas acessórios Milwaukee e peças sobresselentes Milwaukee. Os componentes cuja substituição não esteja descrita devem ser substituídos num serviço de assistência técnica Milwaukee (consultar a brochura relativa à garantia/moradas dos serviços de assistência técnica).

Se for necessário, um desenho de explosão do aparelho pode ser solicitado do seu posto de assistência ao cliente ou directamente da Techtronic Industries GmbH, Max-Eyth-Straße 10, 71364 Winnenden, Alemanha, indicando o tipo da máquina e o número de seis posições na chapa indicadora da potência.



SYMBOLE



ATENÇÃO! PERIGO!



Antes de efectuar qualquer intervenção no aspirador, desligá-lo da rede.



Leia atentamente o manual de instruções antes de colocar a máquina em funcionamento.



Acessório - Não incluído no equipamento normal, disponível como acessório.



Aparelhos eléctricos não devem ser jogados no lixo doméstico. Aparelhos eléctricos e electrónicos devem ser colectados separadamente e entregues a uma empresa de reciclagem para a eliminação correcta. Solicite informações sobre empresas de reciclagem e postos de colecta de lixo das autoridades locais ou do seu vendedor autorizado.



Ferramenta eléctrica da classe de protecção II Ferramenta eléctrica, na qual a protecção contra choque eléctrico não só depende do isolamento básico, mas também da aplicação de medidas de protecção suplementares, como isolamento duplo ou reforçado.



Marca CE



TECHNISCHE GEGEVENS Slagboormachine	PD2E 22 R (110 V)	PD2E 22 R (220-240 V)	PD2E 24 R (220-240 V)
Productienummer	4195 91 01... ... 000001-999999	4195 71 01... ... 000001-999999	4195 96 01... ... 000001-999999
Nominaal afgegeven vermogen	800 W	850 W	1020 W
Afgegeven vermogen	430 W	460 W	540 W
Onbelast toerental, 1e versnelling	0-1000 min ⁻¹	0-1000 min ⁻¹	0-1000 min ⁻¹
Onbelast toerental, 2e versnelling	0-3200 min ⁻¹	0-3200 min ⁻¹	0-3200 min ⁻¹
Belast toerental, 1e versnelling	0-680 min ⁻¹	0-680 min ⁻¹	0-680 min ⁻¹
Belast toerental, 2e versnelling	0-2100 min ⁻¹	0-2100 min ⁻¹	0-2100 min ⁻¹
Aantal slagen belast max.	40 000 min ⁻¹	40 000 min ⁻¹	40 000 min ⁻¹
Statisch draaimoment *	56/30 Nm	56/30 Nm	60/33 Nm
Boor-Ø in beton	20 mm	20 mm	22 mm
Boor-Ø in tegel en kalkzandsteen	22 mm	22 mm	24 mm
Boor-Ø in staal	13 mm	13 mm	16 mm
Boor-Ø in hout	40 mm	40 mm	40 mm
Spanwijdte boorhouder	1,5-13 mm	1,5-13 mm	1,5-13 mm
Booras	1/2" x 20	1/2" x 20	1/2" x 20
Spanhals-Ø	43 mm	43 mm	43 mm
Gewicht volgens de EPTA-procedure 01/2003	2,8 kg	2,8 kg	2,9 kg
Geluids-/trillingsinformatie			
Meetwaarden vastgesteld volgens EN 60 745. Het kenmerkende A-gewogen geluidsniveau van de machine bedraagt:			
Geluidsdruk niveau (Onzekerheid K=3dB(A))	98 dB (A)	98 dB (A)	96 dB (A)
Geluidsvermogen niveau (Onzekerheid K=3dB(A))	109 dB (A)	109 dB (A)	107 dB (A)
Draag oorbeschermers!			
Totale trillingswaarden (vectorsom van drie richtingebepaald volgens EN 60745.			
Boren in metaal:			
Trillingsemisiewaarde a _{h,d}	7,6 m/s ²	7,6 m/s ²	10,0 m/s ²
Onzekerheid K=	1,5 m/s ²	1,5 m/s ²	1,5 m/s ²
Slagboren in beton			
Trillingsemisiewaarde a _{h,10}	17,1 m/s ²	17,1 m/s ²	17,8 m/s ²
Onzekerheid K=	1,5 m/s ²	1,5 m/s ²	1,5 m/s ²

* Gemeten volgens de Milwaukee norm N 877318

WAARSCHUWING

De in deze aanwijzingen vermelde trillingsdruk is gemeten volgens een in EN 60745 genormeerde meetmethode en kan worden gebruikt voor de onderlinge vergelijking van apparaten. Hij is ook geschikt voor een voorlopige inschatting van de trillingsbelasting. De aangegeven trillingsdruk geldt voor de meest gebruikelijke toepassingen van het elektrische apparaat. Wanneer het elektrische gereedschap echter voor andere doeleinden, met andere dan de voorgeschreven hulpstukken gebruikt of niet naar behoren onderhouden wordt, kan de trillingsdruk afwijken. Dit kan de waarde van de trillingsdruk over de hele werkperiode aanzienlijk verhogen.

Voor een nauwkeurige inschatting van de trillingsdruk moeten ook de tijden in aanmerking worden genomen dat het apparaat uitgeschakeld is of weliswaar loopt, maar niet werkelijk in gebruik is. Dit kan de waarde van de trillingsdruk over de hele werkperiode aanzienlijk verminderen.

Bepaal extra veiligheidsmaatregelen ter bescherming van de bediener tegen de inwerking van trillingen, bijvoorbeeld: onderhoud van elektrische gereedschappen en apparaten, warmhouden van de handen, organisatie van de werkprocessen.



⚠ WAARSCHUWING! Lees alle veiligheidsinstructies en aanwijzingen door. Als de waarschuwingen en voorschriften niet worden opgevolgd, kan dit een elektrische schok, brand of ernstig letsel tot gevolg hebben.
Bewaar alle waarschuwingen en voorschriften voor toekomstig gebruik.

⚠ VEILIGHEIDSINSTRUCTIES VOOR BOORMACHINES

Draag gehoorbescherming tijdens het klopboren. Lawaai kan gehoorverlies veroorzaken.

Gebruik de bij de machine geleverde zijhandgreep. Verlies aan controle kan tot persoonlijk letsel leiden.

Houd het apparaat alléén aan de geïsoleerde grijpvlakken vast, wanneer u werkzaamheden uitvoert waarbij het snijgereedschap verborgen stroomleidingen of de eigen apparaatkabel zou kunnen raken. Het contact van het snijgereedschap met een spanningvoerende leiding kan de metalen apparaatdelen onder spanning zetten en zo tot een elektrische schok leiden.

Verdere veiligheids- en werkinstructies

Draag veiligheidsuitrusting. Bij werkzaamheden met de machine dient u altijd een veiligheidsbril te dragen. Veiligheidskleding zoals stofmasker, veiligheidshandschoenen, stevig en slipvast schoeisel, helm en gehoorbescherming worden aanbevolen.

Snoer altijd buiten werkbereik van de machine houden.

Het is niet toegestaan, materialen te bewerken waarvan een gezondheidsgevaar uitgaat (bijv. asbest).

Bij het werken in wanden, plafonds of vloeren oppassen voor elektrische draden, gas- of waterleidingen.

Borg uw werkstuk met behulp van een spaninrichting Niet geborgde werkstukken kunnen ernstig letsel en grote schade veroorzaken.

Bij het boren met diamant boorkronen het slagwerk uitschakelen.

Schakel het apparaat onmiddellijk uit als het gereedschap blokkeert! Schakel het apparaat niet in zolang het gereedschap geblokkeerd is; dit zou een terugslag met een hoog reactiemoment kunnen veroorzaken. Achterhaal en verhelp de oorzaak voor de blokkering van het gereedschap met inachtname van de veiligheidsinstructies.

Mogelijke oorzaken voor de blokkering:

- kantelen in het te bewerken werkstuk
- doorbreken van het te bewerken materiaal
- overbelasting van het elektrische gereedschap

Grijp niet in de lopende machine.

Het gereedschap kan heet worden tijdens het gebruik.

WAARSCHUWING!! Gevaar voor verbranding

- bij het vervangen van het gereedschap
- bij het neerleggen van het apparaat

Spanen of splinters mogen bij draaiende machine niet worden verwijderd.

Voor alle werkzaamheden aan het apparaat de stekker uit het stopcontact nemen.

VOORGESCHREVEN GEBRUIK VAN HET SYSTEEM

De slagboormachine is universeel te gebruiken voor boren en slagboren

Dit apparaat uitsluitend gebruiken voor normaal gebruik, zoals aangegeven.

EC - VERKLARING VAN OVEREENSTEMMING

Wij verklaren in uitsluitende verantwoording dat het onder 'Technische gegevens' beschreven product overeenstemt met alle relevante voorschriften van de richtlijn 2011/65/EU (RoHS), 2004/108/EG, 2006/42/EG en de volgende geharmoniseerde normatieve documenten:

EN 60745-1:2009 + A11:2010

EN 60745-2-1:2010

EN 55014-1:2006 + A1:2009 + A2:2011

EN 55014-2:1997 + A1:2001 + A2:2008

EN 61000-3-2:2006 + A1:2009 + A2:2009

EN 61000-3-3:2008



Winnenden, 2014-04-24

Alexander Krug / Managing Director

Gemachtigd voor samenstelling van de technische documenten

Techtronic Industries GmbH

Max-Eyth-Straße 10, 71364 Winnenden, Germany

NETAANSLUITING

Verplaatsbaar gereedschap moet bij het gebruik buiten aan een aardlekschakelaar (FI, RCD, PRCD) aangesloten worden.

Uitsluitend op éénfase-wisselstroom en uitsluitend op de op het typeplaatje aangegeven netspanning aansluiten. Aansluiting is ook mogelijk op een stekerdoos zonder aardcontact mogelijk, omdat het is ontworpen volgens veiligheidsklasse II.

Machine alleen uitgeschakeld aan de stekkerdoos aansluiten.

ONDERHOUD

Altijd de luchtspleten van de machine schoonhouden.

Bij intensief slagboorwerk de boorhouder regelmatig van stof 'bevrijden'. Hiervoor de machine met de boorhouder loodrecht naar beneden houden en de boorhouder dan over het totale spanbereik openen en sluiten. Het verzamelde stof valt zo uit de boorhouder. Regelmatige toepassing van reinigingspray op de spanbekken en spanbekkenboringen wordt aanbevolen.

Als de netkabel beschadigd is, moet deze door een klantenservice worden vervangen om gevaren te vermijden.

Gebruik uitsluitend Milwaukee toebehoren en onderdelen. Indien componenten die moeten worden vervangen niet zijn beschreven, neem dan contact op met een officieel Milwaukee servicecentrum (zie onze lijst met servicecentra).

Zo nodig kan een explosietekening van het apparaat worden aangevraagd bij uw klantenservice of direct bij Techtronic Industries GmbH, Max-Eyth-Straße 10, 71364 Winnenden, Duitsland onder vermelding van het machinetype en het zescijferige nummer op het typeplaatje.

SYMBOLEN



OPGELET! WAARSCHUWING! GEVAAR!



Voor alle werkzaamheden aan het apparaat de stekker uit het stopcontact nemen.



Graag instructies zorgvuldig doorlezen vóórdat u de machine in gebruik neemt.



Toebehoren - Wordt niet meegeleverd. Is apart leverbaar. Zie hiervoor het toebehorenprogramma.



Elektrische apparaten mogen niet via het huisafval worden afgevoerd. Elektrische en elektronische apparaten moeten gescheiden worden verzameld en voor een milieuvriendelijke afvoer worden afgegeven bij een recyclingbedrijf. Informeer bij uw gemeente of bij uw vakhandelaar naar recyclingbedrijven en inzamelpunten.



Elektrisch gereedschap van de beschermingsklasse II
Elektrisch gereedschap waarbij de bescherming tegen elektrische schokken niet afhankelijk is van de basisisolatie, maar waarin ook extra veiligheidsmaatregelen worden toegepast zoals dubbele of versterkte isolatie.



CE-keurmerk





TEKNISKE DATA Slagboremaskine	PD2E 22 R (110 V)	PD2E 22 R (220-240 V)	PD2E 24 R (220-240 V)
Produktionsnummer	4195 91 01... ... 000001-999999	4195 71 01... ... 000001-999999	4195 96 01... ... 000001-999999
Nominel optagen effekt	800 W	850 W	1020 W
Afgiven effekt	430 W	460 W	540 W
Omdrejningstal, ubelastet, 1. gear	0-1000 min ⁻¹	0-1000 min ⁻¹	0-1000 min ⁻¹
Omdrejningstal, ubelastet, 2. gear	0-3200 min ⁻¹	0-3200 min ⁻¹	0-3200 min ⁻¹
Omdrejningstal max., belastet, 1. gear	0-680 min ⁻¹	0-680 min ⁻¹	0-680 min ⁻¹
Omdrejningstal max., belastet, 2. gear	0-2100 min ⁻¹	0-2100 min ⁻¹	0-2100 min ⁻¹
Slagantal belastet max.	40 000 min ⁻¹	40 000 min ⁻¹	40 000 min ⁻¹
Statisk blokeringsmoment *	56/30 Nm	56/30 Nm	60/33 Nm
Bor-ø i beton	20 mm	20 mm	22 mm
Bor-ø i tegl og kalksandsten	22 mm	22 mm	24 mm
Bor-ø i stål	13 mm	13 mm	16 mm
Bor-ø i træ	40 mm	40 mm	40 mm
Borepatronspændevide	1,5-13 mm	1,5-13 mm	1,5-13 mm
Boerspindel	1/2" x 20	1/2" x 20	1/2" x 20
Halsdiameter	43 mm	43 mm	43 mm
Vægt svarer til EPTA-procedure 01/2003	2,8 kg	2,8 kg	2,9 kg
Støj/Vibrationsinformation			
Måleværdier beregnes iht. EN 60 745. Værktøjs A-vurderede støjniveau er typisk:			
Lydtrykniveau (Usikkerhed K=3dB(A))	98 dB (A)	98 dB (A)	96 dB (A)
Lydeffekt niveau (Usikkerhed K=3dB(A))	109 dB (A)	109 dB (A)	107 dB (A)
Brug høreværn!			
Samlede vibrationsværdier (værdi for tre retninger) beregnet iht. EN 60745.			
Boring i metal:			
Vibrationseksponering a _{n,D}	7,6 m/s ²	7,6 m/s ²	10,0 m/s ²
Usikkerhed K=	1,5 m/s ²	1,5 m/s ²	1,5 m/s ²
Slagboring i beton			
Vibrationseksponering a _{n,D}	17,1 m/s ²	17,1 m/s ²	17,8 m/s ²
Usikkerhed K=	1,5 m/s ²	1,5 m/s ²	1,5 m/s ²

* Målt i.h.t. Milwaukee Norm N 877318

ADVARSEL

Svingningsniveauet, som er angivet i disse anvisninger, er målt i henhold til standardiseret måleprocedure ifølge EN 60745 og kan anvendes til indbyrdes sammenligning mellem el-værktøjer. Svingningsniveauet er ligeledes egnet som foreløbigt skøn over svingningsbelastningen. Det angivne svingningsniveau er baseret på el-værktøjets primære anvendelsesformål. Hvis el-værktøjet benyttes til andre formål, med andet indsatsværktøj eller ikke vedligeholdes tilstrækkeligt, kan svingningsniveauet afvige. Dette kan øge svingningsbelastningen over den samlede arbejdsperiode betydeligt.

For en nøjagtig vurdering af svingningsbelastningen skal der også tages højde for de tidsperioder, hvor apparatet er slukket, eller hvor apparatet kører, men uden at være i anvendelse. Dette kan reducere svingningsbelastningen over den samlede arbejdsperiode betydeligt. Supplerende sikkerhedsforanstaltninger til beskyttelse af brugeren mod påvirkninger fra svingninger skal iværksættes, f.eks.: Vedligeholdelse af el-værktøj og indsatsværktøj, varmholdelse af hænder, organisering af arbejdsprocesser.

⚠ ADVARSEL! Læs alle sikkerhedsanvisninger og øvrige vejledninger. I tilfælde af manglende overholdelse af advarselshenvisningerne og instrukserne er der risiko for elektrisk stød, brand og/eller alvorlige kvæstelser.

Opbevar alle advarselshenvisninger og instrukser til senere brug.

⚠ SIKKERHEDSANVISNINGER TIL BOREMASKINER

Brug høreværn under slagboring. Støjten kan føre til nedsat hørelse.

Brug de ekstra håndtag, som følger med apparatet. Hvis kontrollen mistes, kan det medføre personskade.

Hold maskinen fast i de isolerede gribeplader, når du udfører arbejde, hvor der er risiko for, at skæreværktøjet kan ramme skjulte strømledninger eller værktøjets egen ledning. Kommer skæreværktøjet i kontakt med en strømførende ledning, kan maskinens metaldele komme under spænding og give elektrisk stød.

Yderligere sikkerheds- og arbejdsinformationer

Brug beskyttelsesudstyr. Bær altid sikkerhedsbriller, når du arbejder med maskinen. Vi anbefaler desuden brug af personlig beskyttelsesudrustning, såsom støvmaske, sikkerhedshandsker, fast og skridsikkert skotøj, hjelm og høreværn.

Tilslutningskablet holdes hele tiden væk fra maskinens arbejdsområde. Kablet ledes altid bort bag om maskinen.

Der må ikke bearbejdes nogen materialer, der kan udgøre en sundhedsrisiko (f.eks. asbest).

Ved arbejdsboring i væg, loft eller gulv skal man passe på elektriske kabler, gas- og vandledninger.

Sørg for at sikre dit emne med en spændeanordning. Ikke sikre emner kan forårsage alvorlige kvæstelser og beskadigelser.

Slagfrakobling ved arbejde med diamantborekroner.

Sluk straks for maskinen, hvis indsatsværktøjet er blokeret! Tænd ikke for maskinen igen, så længe indsatsværktøjet er blokeret; dette kan føre til et tilbageslag med højt reaktionsmoment. Find frem til og afhjælp årsagen til indsatsværktøjets blokering under hensyntagen til sikkerhedsinstruktionerne.

Mulige årsager hertil kan være:

- at det sidder i klemme i emnet der bearbejdes
- at det har brækket materialet der bearbejdes
- at el-værktøjet er overbelastet

Grib ikke ind i maskinen, når den kører.

Indsatsværktøjet kan blive varmt under brugen.

ADVARSEL!! Fare for forbrændinger

- ved værktøjskift
- når man lægger maskinen fra sig

Spåner eller splinter må ikke fjernes, medens maskinen kører.

Træk stik ud af stikdåsen før alle arbejder på maskinen.

TILTÆNKT FORMÅL

Slagboremaskine kan bruges universelt til boring og slagboring.

Produktet må ikke anvendes på anden måde og til andre formål end foreskrevet.

CE-KONFORMITETSERKLÆRING

Vi erklærer som eneansvarlig, at det under „Tekniske data“ beskrevne produkt stemmer overens med alle relevante forskrifter, der følger af direktiv 2011/65/EU (RoHS), 2004/108/EF, 2006/42/EF samt af følgende harmoniserede normative dokumenter:

EN 60745-1:2009 + A11:2010

EN 60745-2-1:2010

EN 55014-1:2006 + A1:2009 + A2:2011

EN 55014-2:1997 + A1:2001 + A2:2008

EN 61000-3-2:2006 + A1:2009 + A2:2009

EN 61000-3-3:2008



Winnenden, 2014-04-24

Alexander Krug / Managing Director
Autoriseret til at udarbejde de tekniske dokumenter.

Techtronic Industries GmbH
Max-Eyth-Straße 10, 71364 Winnenden, Germany

NETTILSLUTNING

Stikdåser udendørs skal være forsynet med fejlstrømssikringskontakter (FI, RCD, PRCD). Det forlanger installationsforskriften for Deres elektroanlæg. Overhold dette, når De bruger vores maskiner.

Tilslutning må kun foretages til enfasnet vekselstrøm og kun til en netspænding, som er i overensstemmelse med angivelsen på mærkepladen. Tilslutning kan også ske til stikdåser uden beskyttelseskontakt, da kapslingsklasse II foreligger.

Tilslut kun maskine til stikdåsen i slukket tilstand.

VEDLIGEHOLDELSE

Hold altid maskinens ventilationsåbninger rene.

Ved hyppig slagboredrift bør borepatronen renses regelmæssigt for støv. Dette gøres ved at borepatronen på maskinen holdes lodret nedad og åbne og lukke borepatronen i hele spændområdet. På denne måde falder støvet ud af borepatronen. Det anbefales at benytte rengøringsmiddel jævnlige ved spændekæberne og spændekæbehullerne.

Hvis nettilslutningsledningen bliver beskadiget, skal den udskiftes hos kompetent kundeservice for at undgå fare.

Brug kun Milwaukee-tilbehør og Milwaukee-reservedele. Komponenter, hvor udskiftningsproceduren ikke er beskrevet, skal skiftes ud hos et Milwaukee-servicecenter (se brochure garanti/kundeserviceadresser).

Hvis det er nødvendigt, kan der bestilles en sprængskitse af værktøjet. Angiv herved venligst maskintypen samt det sekscifrede nummer på mærkepladen og bestil tegningen hos din lokale kundeserviceafdeling eller direkte hos Techtronic Industries GmbH, Max-Eyth-Straße 10, 71364 Winnenden, Tyskland.



SYMBOLER



VIGTIGT! ADVARSEL! FARE!



Træk stik ud af stikdåsen før alle arbejder på maskinen.



Læs brugsanvisningen nøje før ibrugtagning.



Tilbehør - Ikke inkluderet i leveringsomfanget, køb købes som tilbehør.



Elektrisk udstyr må ikke bortskaffes sammen med det almindelige husholdningsaffald. Elektrisk og elektronisk udstyr skal indsamles særskilt og afleveres hos en genbrugsvirksomhed til en miljømæssig forsvarlig bortskaffelse. Spørg de lokale myndigheder eller din forhandler om genbrugsstationer og indsamlingssteder til sådant affald.



Kapslingsklasse II elværktøj Elværktøj, hvor beskyttelsen mod et elektrisk stød ikke kun afhænger af basisisoleringen men også af, at der anvendes yderligere beskyttelsesforanstaltninger som dobbelt isolering eller forstærket isolering.



CE-mærke



TEKNISKE DATA Slagbormaskin	PD2E 22 R (110 V)	PD2E 22 R (220-240 V)	PD2E 24 R (220-240 V)
Produksjonsnummer	4195 91 01... ... 000001-999999	4195 71 01... ... 000001-999999	4195 96 01... ... 000001-999999
Nominell inngangseffekt	800 W	850 W	1020 W
Avgitt effekt	430 W	460 W	540 W
Tomgangsturtall, 1. gir	0-1000 min ⁻¹	0-1000 min ⁻¹	0-1000 min ⁻¹
Tomgangsturtall, 2. gir	0-3200 min ⁻¹	0-3200 min ⁻¹	0-3200 min ⁻¹
Lastturtall maks., 1. gir	0-680 min ⁻¹	0-680 min ⁻¹	0-680 min ⁻¹
Lastturtall maks., 2. gir	0-2100 min ⁻¹	0-2100 min ⁻¹	0-2100 min ⁻¹
Lastslagstall maks.	40 000 min ⁻¹	40 000 min ⁻¹	40 000 min ⁻¹
Statisk blokkeringsmoment *	56/30 Nm	56/30 Nm	60/33 Nm
Bor-ø i betong	20 mm	20 mm	22 mm
Bor-ø i tegl og kalksandstein	22 mm	22 mm	24 mm
Bor-ø i stål	13 mm	13 mm	16 mm
Bor-ø i treverk	40 mm	40 mm	40 mm
Chuckspennområde	1,5-13 mm	1,5-13 mm	1,5-13 mm
Borspindel	1/2" x 20	1/2" x 20	1/2" x 20
Spennhals-ø	43 mm	43 mm	43 mm
Vekt i henhold til EPTA-Prosedyren 01/2003	2,8 kg	2,8 kg	2,9 kg
Støy/Vibrasjonsinformasjon			
Måleverdier fastslått i samsvar med EN 60 745. Det typiske A-bedømte støynivået for maskinen er:			
Lydtrykknivå (Usikkerhet K=3dB(A))	98 dB (A)	98 dB (A)	96 dB (A)
Lydeffektnivå (Usikkerhet K=3dB(A))	109 dB (A)	109 dB (A)	107 dB (A)
Bruk hørselsvern!			
Totale svingningsverdier (vektorsum fra tre retninger) beregnet jf. EN 60745.			
Boring i metall:			
Svingningsemissjonsverdi a _{b,d}	7,6 m/s ²	7,6 m/s ²	10,0 m/s ²
Usikkerhet K=	1,5 m/s ²	1,5 m/s ²	1,5 m/s ²
Slagboring i betong			
Svingningsemissjonsverdi a _{b,ld}	17,1 m/s ²	17,1 m/s ²	17,8 m/s ²
Usikkerhet K=	1,5 m/s ²	1,5 m/s ²	1,5 m/s ²

* Målt etter Milwaukee standard N 877318

ADVARSEL

Svingningsnivået som er angitt i denne instruksjonen er målt i overensstemmelse med målemetoden normert i direktiv EN 60745 og kan brukes til å sammenligne elektromaskiner med hverandre. Den egner seg også for en foreløbig vurdering av svingningsbelastningen.

Det angitte svingningsnivået representerer de hovedsaklige bruk av elektroverktøyet. Men anvendes elektroverktøyet for andre bruk med avvikende utskiftbare verktøy eller vedlikeholdet er utilstrekkelig, kan svingningsnivået være avvikende.

Det kan forhøye svingningsbelastning betydelig over hele arbeidsperioden. For en nøyaktig vurdering av svingningsbelastningen må også det tas hensyn til tiden apparatet er avslått eller står på, men ikke er i bruk. Dette kan redusere svingningsbelastningen betydelig over hele arbeidsperioden.

Innfør også ekstra sikkerhetstiltak for å beskytte bruker mot utvirkningen av svingningene. Disse kan f.eks. være: vedlikehold av elektroverktøyet og det utskiftbare verktøyet, holde hendene varme, organisasjon av arbeidsforløpet.



⚠ ADVARSEL! Les alle sikkerhetsinstruksjoner og bruksanvisninger. Feil ved overholdelsen av advarslene og nedenstående anvisninger kan medføre elektriske støt, brann og/eller alvorlige skader.

Ta godt vare på alle advarslene og informasjonene.

⚠ SIKKERHETSMERKNADER FOR BORMASKINER

Bruk hørselsvern ved bruk av slagboret. Støy kan føre til tap av hørselen.

Bruk de med apparatet medleverte tileggshandtak. Tap av kontrollen kan føre til skader.

Hold apparatet i de isolerte holdeflatene, når det arbeides på steder hvor elektroverktøyet kan treffe skjulte strømledninger eller verktøyets egen kabel. Kontakt med en ledning som er under spenning, kan også sette metalleder til apparatet under spenning og føre til et elektrisk slag.

Ytterlige sikkerhets- og arbeidsinstruksjoner

Bruk vernebekledning. Ta alltid på vernebrille ved bruk av maskinen. Vernebekledning så vel som støvmaske, vernehansker, fast og sklisikkert skotøy, hjem og hørselsvern er anbefalt.

Hold ledningen alltid vekk fra maskinens virkeområde. Før ledningen alltid bakover fra maskinen.

Materialer som er helsefarlig skal ikke bearbeides (f.eks.. asbest)

Pass på kabler, gass- og vannledninger når du arbeider i vegger, tak eller gulv.

Klem fast arbeidselementet med en spenninnetning. Ikke sikrede arbeidselementer kan ha alvorlige helseskader og skader av material til følge.

Kople ut slagverket når du arbeider med diamanthorkroner.

Slå av apparatet med en gang dersom det isatte verktøyet er blokkert! Ikke slå apparatet på igjen så lenge det isatte verktøyet er blokkert; her kan det oppstå et tilbakeslag med høyt reaksjonsmoment. Finn ut hvorfor det isatte verktøyet blokkerer og fjern årsaken til dette. Ta herved hensyn til sikkerhets instruksene.

Mulige årsaker til dette kan være:

- det har forkantet seg i arbeidselementet som bearbeides
- det har brekt igjennom materialet som bearbeides
- elektroverktøyet er overbelastet

Ikke grip inn i maskinen når den står på og går.

Isatt verktøy kan i bruk bli veldig varmt.

ADVARSEL!! Fare for forbrenning

- ved skifting av verktøy
- når apparatet legges ned

Spon eller fliser må ikke fjernes mens maskinen er i gang.

Trekk støpselet ut av stikkkontakten før alle typer arbeid på maskinen.

FORMÅLSMESSIG BRUK

Slagbormaskinen kan brukes universelt til boring og slagboring.

Dette apparatet må kun brukes til de oppgitte formål.

CE-SAMSVARSERKLÆRING

Vi erklærer i alene ansvar at produktet beskrevet i „Teknisk data“ overensstemmer med alle relevante forskrifter til Eu direktiv 2011/65/EU (RoHS), 2004/108/EC, 2006/42/EC og de følgende harmoniserte normative dokumentene.

EN 60745-1:2009 + A11:2010

EN 60745-2-1:2010

EN 55014-1:2006 + A1:2009 + A2:2011

EN 55014-2:1997 + A1:2001 + A2:2008

EN 61000-3-2:2006 + A1:2009 + A2:2009

EN 61000-3-3:2008



Winnenden, 2014-04-24

Alexander Krug / Managing Director
Autorisert til å utarbeide den tekniske dokumentasjonen

Techtronic Industries GmbH
Max-Eyth-Straße 10, 71364 Winnenden, Germany

NETTILKOPLING

Stikkontakter utendørs må være utstyrt med feilstrøm-sikkerhetsbryter (FI, RCD, PRCD). Dette forlanges av installasjonsforskriften for elektroanlegg. Vennligst følg dette når du bruker vårt apparat.

Skal bare tilsluttes enfaservekselstrøm og bare til den på skiltet angitte nettspenning. Tilslutning til stikkontakter uten jordet kontakt er mulig fordi beskyttelse beskyttelsesklasse II er forhanden.

Påse at maskinen er slått av når du setter inn nettstøpselet i stikkkontakten.

VEDLIKEHOLD

Hold alltid luftenåpningene på maskinen rene.

Ved hyppig slagboredrift bør chucken befri regelmessig for støv. Hold da maskinen med chucken loddrett nedover og åpne og lukk chucken over hele spennvidden. Det oppsamlete støvet faller da ut av chucken. Regelmessig bruk av rengjøringspray på spennkjevene og spennkjev hullene anbefales.

Er nettkabelen skadet må den skiftes ut av kundeservice før å forhindre fare.

Bruk kun Milwaukee tilbehør og Milwaukee reservedeler. Komponenter der utskifting ikke er beskrevet skal skiftes ut hos Milwaukee kundeservice (se brosjyre garanti/kundeserviceadresser).

Ved behov kan det fås en eksplosjonstegning av apparatet hos kundeservice eller direkte hos Techtronic Industries GmbH, Max-Eyth-Straße 10, 71364 Winnenden, Germany ved angivelse av maskinens type og det sekstallige nummeret på maskinens skilt.

SYMBOLER



OBS! ADVARSEL! FARE!



Trekk støpselet ut av stikkontakten før alle typer arbeid på maskinen.



Les nøye gjennom bruksanvisningen før maskinen tas i bruk.



Tilbehør - inngår ikke i leveransen, anbefalt komplettering fra tilbehørsprogrammet.



Elektriske apparat skal ikke kastes sammen med vanlig husholdningsavfall. Elektriske og elektroniske apparat skal samles separat og leveres til miljøvennlig deponering til en avfall bedrift. Informer deg hos myndighetene på stedet eller hos din fagforhandler hvor det finnes recycling bedrifter oppsamlingssteder.



Elektroverktøy av verneklasse II Elektroverktøy hvor beskyttelse mot elektrisk slag ikke bare er avhengig av basisisoleringen, men som også er avhengig av at tilleggs vernetiltak som dobbelt eller forsterket isolering blir brukt.



CE-tegn





TEKNISKA DATA Slagbormaskin	PD2E 22 R (110 V)	PD2E 22 R (220-240 V)	PD2E 24 R (220-240 V)
Produktionsnummer	4195 91 01... ... 000001-999999	4195 71 01... ... 000001-999999	4195 96 01... ... 000001-999999
Nominell upptagen effekt	800 W	850 W	1020 W
Uteffekt	430 W	460 W	540 W
Obelastat varvtal, 1:a växel	0-1000 min ⁻¹	0-1000 min ⁻¹	0-1000 min ⁻¹
Obelastat varvtal, 2:a växel	0-3200 min ⁻¹	0-3200 min ⁻¹	0-3200 min ⁻¹
Belastat varvtal, 1:a växel	0-680 min ⁻¹	0-680 min ⁻¹	0-680 min ⁻¹
Belastat varvtal, 2:a växel	0-2100 min ⁻¹	0-2100 min ⁻¹	0-2100 min ⁻¹
Belastat slagtal max.	40 000 min ⁻¹	40 000 min ⁻¹	40 000 min ⁻¹
Statiskt blockeringsmoment *	56/30 Nm	56/30 Nm	60/33 Nm
Borrdiam. in betong	20 mm	20 mm	22 mm
Borrdiam. tegel, kalksten	22 mm	22 mm	24 mm
Borrdiam. in stål	13 mm	13 mm	16 mm
Borrdiam. in trä	40 mm	40 mm	40 mm
Chuckens spännområde	1,5-13 mm	1,5-13 mm	1,5-13 mm
Borrspindel	1/2" x 20	1/2" x 20	1/2" x 20
Maskinhals diam.	43 mm	43 mm	43 mm
Vikt enligt EPTA 01/2003	2,8 kg	2,8 kg	2,9 kg
Buller-/vibrationsinformation Mätvärdena har tagits fram baserade på EN 60 745. A-värdet av maskinens ljudnivå utgör:			
Ljudtrycksnivå (Onoggrannhet K=3dB(A)) Ljudeffektsnivå (Onoggrannhet K=3dB(A)) Använd hörselskydd!	98 dB (A) 109 dB (A)	98 dB (A) 109 dB (A)	96 dB (A) 107 dB (A)
Totala vibrationsvärden (vektorsumma ur tre riktningar) framtaget enligt EN 60745.			
Borring i metall: Vibrationsemissionsvärde a _{h,d} Onoggrannhet K=	7,6 m/s ² 1,5 m/s ²	7,6 m/s ² 1,5 m/s ²	10,0 m/s ² 1,5 m/s ²
Slagborring i betong Vibrationsemissionsvärde a _{h,10} Onoggrannhet K=	17,1 m/s ² 1,5 m/s ²	17,1 m/s ² 1,5 m/s ²	17,8 m/s ² 1,5 m/s ²

* Uppmätt enligt Milwaukee norm N 877318

VARNING

Den i de här anvisningarna angivna vibrationsnivån har uppmätts enligt ett i EN 60745 normerat mätförfarande och kan användas vid jämförelse mellan olika elverktyg. Nivån är även lämplig att använda vid en preliminär bedömning av vibrationsbelastningen.

Den angivna vibrationsnivån representerar den huvudsakliga användningen av det aktuella elverktyget. Men om elverktyget ska användas i andra användningsområden, tillsammans med avvikande insatsverktyg eller efter otillräckligt underhåll, kan vibrationsnivån skilja sig. Det kan öka vibrationsbelastningen betydligt under hela arbetstiden.

För att få en exaktare bedömning av vibrationsbelastningen ska även den tid beaktas, under vilken elverktyget är avstängt eller är påslaget, utan att det verkligen används. Det kan reducera vibrationsbelastningen betydligt under hela arbetstiden.

Lägg som skydd för användaren fast extra säkerhetsåtgärder mot vibrationernas verkan, som till exempel: underhåll av elverktyg och insatsverktyg, varmhållning av händer och organisering av arbetsförlopp.

⚠️ VARNING! Läs alla säkerhetsanvisningar och andra tillhörande anvisningar. Fel som uppstår till följd av att anvisningarna nedan inte följts kan orsaka elstöt, brand och/eller allvarliga kroppsskador.
Förvara alla varningar och anvisningar för framtida bruk.

⚠️ SÄKERHETSANVISNINGAR FÖR BORRMASKINER

Använd alltid hörselskydd när du använder en slagborrmaskin. Buller kan leda till att du förlorar hörseln.

Använd de extrahandtag som levereras tillsammans med maskinen. Förlust av kontrollen kan leda till personskador.

Håll fast apparaten med hjälp av de isolerade greppytorna när du utför arbeten där arbetsverktyget skulle kunna träffa på dolda elledningar eller kablar. Om man kommer i kontakt med en spänningsförande ledning, så kan även de delar på verktyget som är av metall bli spänningsförande och leda till att man får en elektrisk stöt.

Övriga säkerhets- och användningsinstruktioner

Använd skyddsutrustning. Använd alltid skyddsglasögon när du använder maskinen. Som skyddsutrustning rekommenderar vi t ex en dammskyddsmask, skyddshandskar, stabila och halksäkra skor, hjälm och hörselskydd.

Nätkabeln skall alltid hållas ifrån arbetsområdet. Lägg kabeln bakåt i förhållande till arbetsriktningen.

Det är inte tillåtet att bearbeta material som kan vara hälsovådligt (t.ex. asbest).

Vid arbetenborrning i vägg, tak eller golv, var alltid observant på befintliga el-, gas- eller vattenledningar.

Säkra arbetsstycket med en fastspänningsanordning. Arbetsstycken som inte är ordentligt fastspända kan leda till allvarlig kroppsskada eller annan skada.

Stäng av slagfunktionen vid arbeten med diamantborrkrona.

Stäng av maskinen omedelbart om ett verktyg som används sitter fast! Sätt sedan inte på maskinen igen så länge som verktyget som används fortfarande sitter fast; risk för okontrollerade slag med högt reaktionsmoment. Ta reda på orsaken varför verktyget fastnade och åtgärda orsaken med hänsyn till säkerhetsanvisningarna.

Möjliga orsaker kan vara:

- Verktyget sitter snett i arbetsstycket
- Verktyget går igenom materialet som bearbetas
- Elverktyget är överbelastat

Gå aldrig med händerna in i en maskin som är igång.

Verktyget som används kan bli mycket varmt under användningen.

VARNING!! Risk för brännskador

- vid verktygsbyte
- när man lägger ifrån sig maskinen

Avlägsna aldrig spån eller flisor när maskinen är igång.

Tag ut kontakten ur vägguttaget, om maskinen skall åtgärdas.

ANVÄND MASKINEN ENLIGT ANVISNINGARNA

Den slagborrmaskinen kan användas för borring och slagborring. Maskinen får endast användas för angiven tillämpning.

CE-FÖRSÄKRAN

Vi intygar och ansvarar för att den produkt som beskrivs under „Tekniska data“ överensstämmer med alla relevanta bestämmelser i direktiv 2011/65/EU (RoHS), 2004/108/EG, 2006/42/EG och följande harmoniserade normerande dokument:

EN 60745-1:2009 + A11:2010

EN 60745-2-1:2010

EN 55014-1:2006 + A1:2009 + A2:2011

EN 55014-2:1997 + A1:2001 + A2:2008

EN 61000-3-2:2006 + A1:2009 + A2:2009

EN 61000-3-3:2008



Winnenden, 2014-04-24

Alexander Krug / Managing Director

Befullmäktigad att sammanställa teknisk dokumentation.

Techtronic Industries GmbH

Max-Eyth-Straße 10, 71364 Winnenden, Germany

NÄTANSLUTNING

Anslut alltid verktyget till via en felströmbrytare (FI, RCD, PRCD) vid användning utomhus.

Får endast anslutas till 1-fas växelström och till den spänning som anges på dataskylden. Anslutning kan även ske till eluttag utan skyddskontakt, eftersom konstruktionen motsvarar skyddsklass II.

Maskinen skall vara fränslagen när kontakten anslutes till vägguttaget.

SKÖTSEL

Se till att motorhöljets luftslitsar är rena.

Vid frekvent slagborrande skall chucken göras ren från damm regelbundet. Då håller man maskinen lodrätt dedat och öppnar och stänger chucken helt. Det ansamlade dammet faller ur. Regelbunden användning av rengöringspray rekommenderas.

Om anslutningskabeln har tagit skada måste kundtjänsten byta in den för att förhindra faror och risker.

Använd endast Milwaukee-tillbehör och Milwaukee-reservdelar. Komponenter, för vilka inget byte beskrivs, skall bytas ut hos Milwaukee-kundtjänst (se broschyren garanti-/kundtjänstadresser).

Vid behov kan du rekvirera apparatens sprängskiss antingen hos kundservicen eller direkt hos Techtronic Industries GmbH, Max-Eyth-Straße 10, 71364 Winnenden, Germany. Du ska då ange maskintypen och numret på sex siffror som står på effektskylden.



SYMBOLER



OBSERVERA! VARNING! FARA!



Tag ut kontakten ur vägguttaget, om maskinen skall åtgärdas.



Läs instruktionen noga innan du startar maskinen.



Tillbehör - Ingår ej i leveransomfånget, erhålles som tillbehör.



Elektriska maskiner och elverktyg som kasseras får inte slängas tillsammans med de vanliga hushållssoporna. Elektriska maskiner och verktyg samt elektronisk utrustning som kasseras ska samlas separat och lämnas till en avfallsstation för miljövänlig avfallshantering. Kontakta den lokala myndigheten respektive kommunen eller fråga återförsäljare var det finns speciella avfallsstationer för elskrot.



Elverktyg skyddsklass II Elverktyg hos vilket skyddet mot elstötar inte bara är avhängigt av basisoleringen utan också av att det finns extra skyddsåtgärder, som en dubbel isolering eller en förstärkt isolering.



CE-symbol



TEKNISET ARVOT Iskuporakone	PD2E 22 R (110 V)	PD2E 22 R (220-240 V)	PD2E 24 R (220-240 V)
Tuotantnumero	4195 91 01... ... 000001-999999	4195 71 01... ... 000001-999999	4195 96 01... ... 000001-999999
Nimellinen teho	800 W	850 W	1020 W
Antoteho	430 W	460 W	540 W
Kuormittamaton kierros-luku, 1. vaihe	0-1000 min ⁻¹	0-1000 min ⁻¹	0-1000 min ⁻¹
Kuormittamaton kierros-luku, 2. vaihe	0-3200 min ⁻¹	0-3200 min ⁻¹	0-3200 min ⁻¹
Kuormitettu kierros-luku maks., 1. vaihe	0-680 min ⁻¹	0-680 min ⁻¹	0-680 min ⁻¹
Kuormitettu kierros-luku maks., 2. vaihe	0-2100 min ⁻¹	0-2100 min ⁻¹	0-2100 min ⁻¹
Kuormitettu iskutaajuus maks.	40 000 min ⁻¹	40 000 min ⁻¹	40 000 min ⁻¹
Staatittinen pysäytysmomentti *	56/30 Nm	56/30 Nm	60/33 Nm
Poran ø betoniin	20 mm	20 mm	22 mm
Poran ø tiiliin ja kalkkiihiekakiviin	22 mm	22 mm	24 mm
Poran ø teräkseen	13 mm	13 mm	16 mm
Poran ø puuhun	40 mm	40 mm	40 mm
Istukan aukeama	1,5-13 mm	1,5-13 mm	1,5-13 mm
Porakara	1/2" x 20	1/2" x 20	1/2" x 20
Kiinnityskaulan ø	43 mm	43 mm	43 mm
Paino EPTA-meneteltyä EN 60704-1 mukaan	2,8 kg	2,8 kg	2,9 kg
Melunpäästö-/värinäätiedot			
Mitta-arvot määritetty EN 60704-1 mukaan. Koneen tyyppilinen A-luokitettu melutaso:			
Melutaso (Epävarmuus K=3dB(A))	98 dB (A)	98 dB (A)	96 dB (A)
Äänenvoimakkuus (Epävarmuus K=3dB(A))	109 dB (A)	109 dB (A)	107 dB (A)
Käytä kuulosuojaimia!			
Värähtelyn yhteisarvot (kolmen suunnan vektorisummittatuna EN 60745 mukaan.			
Metallin poraaminen:			
Värähtelyemissioarvo a _{h,d}	7,6 m/s ²	7,6 m/s ²	10,0 m/s ²
Epävarmuus K=	1,5 m/s ²	1,5 m/s ²	1,5 m/s ²
Betonin iskuporaaminen			
Värähtelyemissioarvo a _{h,d}	17,1 m/s ²	17,1 m/s ²	17,8 m/s ²
Epävarmuus K=	1,5 m/s ²	1,5 m/s ²	1,5 m/s ²

* Mitattu Milwaukee normin N 877318 mukaan

VAROITUS

Näissä ohjeissa mainittu värähtelytaso on mitattu EN 60745 -standardin mukaisella mittausmenetelmällä ja sitä voidaan käyttää sähkötyökalujen vertaamiseen. Sitä voidaan käyttää myös värähtelyrasituksen väliaikaiseen arviointiin.

Mainittu värähtelytaso edustaa sähkötyökalun pääasiallista käyttöä. Jos sähkötyökalua kuitenkin käytetään muihin tehtäviin, poikkeavin työkaluin tai riittämättömästi huoltaen, värähtelytaso voi olla erilainen. Se voi korottaa värähtelyrasitusta koko työajan osalta.

Tarkan värähtelyrasituksen toteamiseen tulee ottaa huomioon aika, jona laite on kytketty pois tai on kylläkin päällä, mutta ei käytössä. Se voi pienentää värähtelyrasitusta koko työajan osalta.

Määrittele lisäturvatoimenpiteitä käyttäjän suojaamiseksi värinöiden vaikutukselta, kuten esimerkiksi: sähkötyökalujen ja käyttötyökalujen huolto, käsien lämpimän pitäminen, työväliheiden organisaatio.





VAROITUS! Lue kaikki, myös annetut turvallisuusmääräykset ja käyttöohjeet. Turvallisuusohjeiden noudattamisen laiminlyönti saattaa johtaa sähköiskuun, tulipaloon ja/tai vakavaan loukkaantumiseen.
Säilytä kaikki turvallisuus- ja muut ohjeet tulevaisuutta varten.



PARAKONEIDEN TURVALLISUUSOHJEET

Käytä kuulonsuojaimia iskuporattaessa. Melulle altistuminen voi heikentää kuuloa.

Käytä koneen mukana toimitettua apukahvaa. Koneen hallinnan menetyksistä suojaa apukahva henkivahinkoja.

Pitele laitetta vain eristetyistä tarttumapinnoista, kun suoritat sellaisia töitä, joissa leikkaustyökalu saattaa osua piilosa oleviin sähköjohtoihin tai omaan liittämistöön. Leikkaustyökalun yhteys jännitteelliseen johtoon saattaa tehdä laitteen metalliset osat jännitteellisiksi ja aiheuttaa sähköiskun.

Täydentäviä turvallisuusmääräyksiä ja työskentelyohjeita

Käytä suojavarusteita. Käytä aina suojalaseja käyttäessäsi konetta. Suosittelemme suojavarusteiden käyttöä, näihin kuuluvat pölysuojanaamari, työkäsineet, tukevat, luistamattomat jalkineet, kypärä ja kuulonsuojukset.

Pidä sähköjohto poissa koneen käyttöalueelta. Siirrä se aina taaksesi.

Terveydellisiä vaaroja aiheuttavien materiaalien (esim. asbestin) työstäminen on kiellettyä.

Varo seinään, kattoon tai lattiaan porattaessa osumasta sähköjohtoon, kaasu- ja vesijohtoihin.

Varmista työstökappaleesi kiinnityslaitteella paikalleen. Varmistamattomat työstökappaleet saattavat aiheuttaa vakavia vammoja ja vaurioita.

Pysäytä iskulaite timanttiporan kärjillä työskennellessäsi.

Jos käytetty työkalu juuttuu kiinni, sammuta laite heti! Älä kytke laitetta uudelleen päälle työkalun ollessa vielä kiinni juuttuneena, koska tästä saattaa aiheutua voimakas takaisku. Selvitä työkalun juuttumisen syy ja poista syy turvallisuusmääräyksiä noudattaen.

Mahdollisia syitä voivat olla:

- työkalun vinoutuminen työstökappaleessa
- työstetyn materiaalin puhkaiseminen
- sähkötyökalun ylikuormitus

Älä tartu käynnissä olevan koneen työosiin.

Käytetty työkalu saattaa kuumeta käytön aikana.

VAROITUS! Palovamman vaara

- työkalua vaihdettaessa
- laitetta pois laskettaessa

Lastuja tai puruja ei saa poistaa koneen käydessä.

Ennen korjaus- ja huoltotöiden aloittamista on pistotulppa irrotettava pistorasiasta.

TARKOITUKSEN MUKAINEN KÄYTTÖ

Iskuporaa voidaan käyttää poraukseen ja iskuporaukseen.

Älä käytä tuotetta ohjeiden vastaisesti.

TODISTUS CE-STANDARDIN MUKAISUUDESTA

Vakuutamme yksinvastuullisesti, että kohdassa „Tekniset tiedot“ kuvattu tuote vastaa kaikkia sitä koskevia direktiivien 2011/65/EU (RoHS), 2004/108/EY, 2006/42/EY määräyksiä sekä seuraavia harmonisoituja standardisoivia asiakirjoja:

EN 60745-1:2009 + A11:2010

EN 60745-2-1:2010

EN 55014-1:2006 + A1:2009 + A2:2011

EN 55014-2:1997 + A1:2001 + A2:2008

EN 61000-3-2:2006 + A1:2009 + A2:2009

EN 61000-3-3:2008



Winnenden, 2014-04-24

Alexander Krug / Managing Director

Valtuutettu kokoamaan tekniset dokumentit.

Techtronic Industries GmbH

Max-Eyth-Straße 10, 71364 Winnenden, Germany

VERKKOLIITÄNTÄ

Ulkokäytössä olevat pistorasiat on varustettava vikavirta-suojakytkimillä (FI, RCD PRCD) sähkölaitteistosi asennusmääräyksen mukaisesti. Muista tarkistaa, että laite liitetään ulkokäytössä ulkopistorasiaan ja neuvottele asiasta sähköasentajasi kanssa.

Yhdistä ainoastaan yksivaiheiseen vaihtovirtaan, jonka verkkojännite on sama kuin tyyppikilvessä ilmoitettu. Myös liittäminen maadoittamattomiin pistorasioihin on mahdollista, sillä rakenne vastaa turvallisuusluokkaa II.

Laitteen käynnistyskytkin on oltava 0- asennossa, kun tulppa työnnetään pistorasiaan.

HUOLTO

Pidä moottorin ilmanottoaukot puhtaina.

Enimmäkseen iskuporauksessa käytetyn parakoneen istukka on puhdistettava säännöllisesti. Pölyn poistamiseksi istukasta, kone pidetään pystyasennossa, istukka alaspäin suunnattuna ja istukka avataan ja suljetaan kokonaan useita kertoja. Näin istukkaan kerääntynyt pöly irtoaa ja putoaa alas. On suositeltavaa, että kiristysleuat porauksineen puhdistetaan säännöllisesti puhdistusaineella.

Jos verkkokohteita on viallinen, asiakaspalvelun täytyy vaihtaa se vaaratilanteiden välttämiseksi.

Käytä ainoastaan Milwaukee lisätarvikkeita ja Milwaukee varaosia. Mikäli jokin komponentti, jota ei ole kuvailtu, tarvitsee vaihtoa ota yhteys johonkin Milwaukee palvelupisteistä (kts. liistamme takuu- huoltoilikkeiden/ palvelupisteiden osoitteista)

Tarvittaessa voit pyytää laitteen räjähdyspiirustuksen ilmoittaen konetyypin ja tyyppikilvessä olevan kuusinumeroisen luvun huoltopalvelustasi tai suoraan osoitteella Techtronic Industries GmbH, Max-Eyth-Straße 10, 71364 Winnenden, Saksia.

SYMBOLIT



HUOMIO! VAROITUS! VAARA!



Ennen korjaus- ja huoltotöiden aloittamista on pistotulppa irrotettava pistorasiasta.



Lue käyttöohjeet huolellisesti, ennen koneen käynnistämistä.



Lisälaitte - Ei sisälly vakiovarustukseen, saatavana lisätervikkeena.



Sähkölaitteita ei saa hävittää yhdessä kotitalousjätteiden kanssa. Sähkö- ja elektroniset laitteet tulee kerätä erikseen ja toimittaa kierrätysliikkeeseen ympäristöystävällistä hävittämistä varten. Pyydä paikallisilta viranomaisilta tai alan kauppiailta tarkemmat tiedot kierrätyspisteistä ja keräyspaikoista.



Suojaluokan II sähkötyökalu Sähkötyökalu, jonka sähköiskun suojaus ei ole riippuvainen ainoastaan peruseristyksestä, vaan myös siitä, että käytetään lisäturvatoimia, kuten kaksinkertaista eristystä tai vahvistettua eristystä.



CE-merkki



ΤΕΧΝΙΚΑ ΣΤΟΙΧΕΙΑ ΚΡΟΥΣΤΙΚΟ ΔΡΑΠΑΝΟ	PD2E 22 R (110 V)	PD2E 22 R (220-240 V)	PD2E 24 R (220-240 V)
Αριθμός παραγωγής	4195 91 01... ... 000001-999999	4195 71 01... ... 000001-999999	4195 96 01... ... 000001-999999
Ονομαστική ισχύς	800 W	850 W	1020 W
Αποδιδόμενη ισχύς	430 W	460 W	540 W
Αριθμός στροφών χωρίς φορτίο, 1η ταχύτητα	0-1000 min ⁻¹	0-1000 min ⁻¹	0-1000 min ⁻¹
Αριθμός στροφών χωρίς φορτίο, 2η ταχύτητα	0-3200 min ⁻¹	0-3200 min ⁻¹	0-3200 min ⁻¹
Μέγιστος αριθμός στροφών με φορτίο, 1η ταχύτητα	0-680 min ⁻¹	0-680 min ⁻¹	0-680 min ⁻¹
Μέγιστος αριθμός στροφών με φορτίο, 2η ταχύτητα	0-2100 min ⁻¹	0-2100 min ⁻¹	0-2100 min ⁻¹
Μέγιστος αριθμός κρούσεων σε φορτίο	40 000 min ⁻¹	40 000 min ⁻¹	40 000 min ⁻¹
Στατική ροπή εμπλοκής*	56/30 Nm	56/30 Nm	60/33 Nm
Διάμετρος τρύπας σε σκυρόδεμα (μπετόν)	20 mm	20 mm	22 mm
Διάμετρος τρύπας σε τούβλο και ασβεστόλιθο	22 mm	22 mm	24 mm
Διάμετρος τρύπας σε χάλυβα	13 mm	13 mm	16 mm
Διάμετρος τρύπας σε ξύλο	40 mm	40 mm	40 mm
Περιοχή σύσφιξης του τσοκ	1,5-13 mm	1,5-13 mm	1,5-13 mm
Άτρακτος δράπανου	1/2" x 20	1/2" x 20	1/2" x 20
Διάμετρος λαϊμού σύσφιξης	43 mm	43 mm	43 mm
Βάρος σύμφωνα με τη διαδικασία EPTA 01/2003	2,8 kg	2,8 kg	2,9 kg
Πληροφορίες θορύβου/δονήσεων Τιμές μέτρησης εξακριβωμένες κατά EN 60 745. Η σύμφωνα με την καμπύλη A εκτιμηθείσα στάθμη θορύβου του μηχανήματος αναφέρεται σε:			
Στάθμη ηχητικής πίεσης (Ανασφάλεια K=3dB(A))	98 dB (A)	98 dB (A)	96 dB (A)
Στάθμη ηχητικής ισχύος (Ανασφάλεια K=3dB(A))	109 dB (A)	109 dB (A)	107 dB (A)
Φοράτε προστασία ακοής (ωτασπίδες)!			
Υλικές τιμές κραδασμών (άθροισμα διανυσμάτων τριών διευθύνσεων) εξακριβώθηκαν σύμφωνα με τα πρότυπα EN 60745.			
Τρύπες σε μέταλλο:			
Τιμή εκπομπής δονήσεων a _{n,d} Ανασφάλεια K=	7,6 m/s ² 1,5 m/s ²	7,6 m/s ² 1,5 m/s ²	10,0 m/s ² 1,5 m/s ²
Κρουστικό τρυπάνι σε μπετόν			
Τιμή εκπομπής δονήσεων a _{n,10} Ανασφάλεια K=	17,1 m/s ² 1,5 m/s ²	17,1 m/s ² 1,5 m/s ²	17,8 m/s ² 1,5 m/s ²

* Μετρημένη σύμφωνα με το πρότυπο της Milwaukee N

ΠΡΟΕΙΔΟΠΟΙΗΣΗ

Το αναφερόμενο σ' αυτές τις οδηγίες επίπεδο δονήσεων έχει μετρηθεί με μια τυποποιημένη σύμφωνα με το EN 60745 μέθοδο μέτρησης και μπορεί να χρησιμοποιηθεί για τη σύγκριση των ηλεκτρικών εργαλείων μεταξύ τους. Αυτό είναι επίσης κατάλληλο για μια προσωρινή εκτίμηση της επιβάρυνση των δονήσεων.

Το αναφερόμενο επίπεδο δονήσεων αντιπροσωπεύει τις κύριες χρήσεις του ηλεκτρικού εργαλείου. Εάν όμως το ηλεκτρικό χρησιμοποιείται σε άλλες χρήσεις, με διαφορετικά εργαλεία εφαρμογής ή ανεπαρκή συντήρηση, μπορεί να υπάρξει απόκλιση του επιπέδου δονήσεων. Αυτό μπορεί να αυξήσει σημαντικά την επιβάρυνση των δονήσεων για τη συνολική διάρκεια της εργασίας.

Για μια ακριβή εκτίμηση της επιβάρυνσης των δονήσεων οφείλουν επίσης να λαμβάνονται υπόψη οι χρόνοι, στους οποίους η συσκευή είναι απενεργοποιημένη ή είναι μεν ενεργοποιημένη αλλά δεν χρησιμοποιείται πραγματικά. Αυτό μπορεί να μειώσει σημαντικά την επιβάρυνση των δονήσεων για τη συνολική διάρκεια της εργασίας.

Καθορίστε πρόσθετα μέτρα ασφαλείας για την προστασία του χειριστή από την επίδραση των δονήσεων όπως για παράδειγμα: Συντήρηση του ηλεκτρικού εργαλείου και των εργαλείων εφαρμογής, διατηρείτε ζεστά τα χέρια, οργάνωση των διαδικασιών εργασίας.

▲ ΠΡΟΕΙΔΟΠΟΙΗΣΗ! Διαβάστε όλες τις Υποδείξεις ασφαλείας και τις Οδηγίες. Αμέλειες κατά την τήρηση των προειδοποιητικών υποδείξεων μπορεί να προκαλέσουν ηλεκτροπληξία, κίνδυνο πυρκαγιάς ή/και σοβαρούς τραυματισμούς. **Φυλάξτε όλες τις προειδοποιητικές υποδείξεις και οδηγίες για κάθε μελλοντική χρήση.**

▲ ΥΠΟΔΕΙΞΕΙΣ ΑΣΦΑΛΕΙΑΣ ΓΙΑ ΤΡΥΠΑΝΙΑ

Κατά την κρουστική διάτρηση φοράτε ωτοασπίδες. Η επίδραση του θορύβου μπορεί να προκαλέσει απώλεια ακοής.

Χρησιμοποιείτε με τη συσκευή τις προμηθευόμενες πρόσθετες χειρολαβές. Η απώλεια ελέγχου μπορεί να οδηγήσει σε τραυματισμό.

Να πιάνετε τη συσκευή στις μονωμένες χειρολαβές όταν εκτελείτε εργασίες κατά τις οποίες τα κοπτικά εργαλεία θα μπορούσαν να πέσουν επάνω σε κρυμμένα καλώδια ρεύματος ή στο δικό της καλώδιο. Η επαφή των κοπτικών εργαλείων με αγωγό τροφοδοσίας τάσης μπορεί να θέσει τα μεταλλικά τμήματα της συσκευής υπ'όταση και να προκαλέσει ηλεκτροπληξία.

Περαιτέρω οδηγίες ασφαλείας και χρήσεως

Χρησιμοποιείτε προστατευτικό εξοπλισμό. Κατά την εργασία με τη μηχανή φοράτε πάντα προστατευτικά γυαλιά. Συνιστούμε επίσης προστατευτική ενδυμασία όπως επίσης μάσκα προστασίας αναπνοής, προστατευτικά γάντια, σταθερά και ασφαλή στην ολίσθηση υποδήματα, κράνος και ωτοασπίδες.

Κρατάτε το καλώδιο σύνδεσης πάντοτε μακριά από την περιοχή δράσης της μηχανής. Περνάτε το καλώδιο πάντοτε πίσω από τη μηχανή.

Μην επεξεργάζεστε επικίνδυνα για την υγεία υλικά (π.χ. αμιάντου).

Κατά τις εργασίες σε τοίχο, οροφή ή δάπεδο προσέχετε για τυχόν ηλεκτρικά καλώδια και για σωληνες αερίου και νερού.

Ασφαλίστε το προς κατεργασία κομμάτι στη μέγνηνη ή με μια άλλη διάταξη στερέωσης. Μη ασφαλισμένα προς κατεργασία κομμάτια μπορεί να προκαλέσουν σοβαρούς τραυματισμούς και ζημιές.

Κατά τις εργασίες με διαμαντοκορώνες απενεργοποιείτε τον κρουστικό μηχανισμό.

Σε περίπτωση μπλοκαρίσματος της αρίδας απενεργοποιείτε αμέσως τη συσκευή! Μην ενεργοποιείτε εκ νέου τη συσκευή όσο η αρίδα είναι μπλοκαρισμένη. Σ' αυτή την περίπτωση θα μπορούσε να προκύψει υψηλή ροπή αντίδρασης. Βρείτε την αιτία του μπλοκαρίσματος της αρίδας και ξεμπλοκάρετέ την λαμβάνοντας υπόψη τις οδηγίες ασφαλείας.

Πιθανές αιτίες:

- Η αρίδα μάγκωσε με το προς κατεργασία κομμάτι.
- Σπάσιμο του προς κατεργασία υλικού.
- Υπερφόρτωση του ηλεκτρικού εργαλείου.

Μην απλώνετε τα χέρια σας στην επικίνδυνη περιοχή της μηχανής όταν είναι σε λειτουργία.

Η θερμοκρασία της αρίδας μπορεί να φτάσει σε υψηλά επίπεδα κατά τη λειτουργία.

ΠΡΟΕΙΔΟΠΟΙΗΣΗ!! Κίνδυνος εγκαύματος

- κατά την αλλαγή εργαλείου (αρίδας)
- κατά την απόθεση της συσκευής

Τα γρέζια ή οι σκλήθρες δεν επιτρέπεται να απομακρύνονται όσο η μηχανή βρίσκεται σε λειτουργία.

Πριν από την πραγματοποίηση εργασιών στη συσκευή βγάλετε το ρευματολήπτη από την πρίζα.

ΧΡΗΣΗ ΣΥΜΦΩΝΑ ΜΕ ΤΟ ΣΚΟΠΟ ΠΡΟΟΡΙΣΜΟΥ

Το κρουστικό τρυπάνι/κροσθαβίδι μπορεί να χρησιμοποιηθεί γενικά για απλό τρύπημα και τρύπημα με κρούση.

Αυτή η συσκευή επιτρέπεται να χρησιμοποιηθεί μόνο σύμφωνα με τον αναφερόμενο σκοπό προορισμού.

ΔΗΛΩΣΗ ΠΙΣΤΟΤΗΤΑΣ ΕΚ

Δηλώνουμε υπεύθυνα ότι το προϊόν που περιγράφεται στο κεφάλαιο «Τεχνικά χαρακτηριστικά» είναι συμβατό με τις διατάξεις της Κοινοτικής Οδηγίας 2011/65/EU (RoHS), 2004/108/EK, 2006/42/EK και με τα ακόλουθα εναρμονισμένα κανονιστικά έγγραφα:

EN 60745-1:2009 + A11:2010

EN 60745-2-1:2010

EN 55014-1:2006 + A1:2009 + A2:2011

EN 55014-2:1997 + A1:2001 + A2:2008

EN 61000-3-2:2006 + A1:2009 + A2:2009

EN 61000-3-3:2008



Winnenden, 2014-04-24

Alexander Krug / Managing Director

Εξουσιοδοτημένος να συντάξει τον τεχνικό φάκελο.

Techtronic Industries GmbH

Max-Eyth-Straße 10, 71364 Winnenden, Germany

ΣΥΝΔΕΣΗ ΣΤΟ ΗΛΕΚΤΡΙΚΟ ΔΙΚΤΥΟ

Οι πρίζες στους εξωτερικούς χώρους πρέπει να είναι εξωπλεγμένες με μικροαυτόματους διακόπτες προστασίας (FI, RCD, PRCD). Αυτό απαιτεί ο σχετικός κανονισμός από την ηλεκτρική σας εγκατάσταση. Προσέξτε παρακαλώ αυτό το σημείο κατά τη χρήση της συσκευής μας.

Συνδέετε μόνο σε μονοφασικό εναλλασσόμενο ρεύμα και μόνο σε τάση δικτύου όπως αναφέρεται στην πινακίδα τεχνικών χαρακτηριστικών. Η σύνδεση είναι επίσης εφικτή σε πρίζες χωρίς προστασία επαφής, διότι έχει προβλεφθεί εξοπλισμός κατηγορίας προστασίας II.

Συνδέστε τη συσκευή στην πρίζα μόνο όταν είναι απενεργοποιημένη.

ΣΥΝΤΗΡΗΣΗ

Διατηρείτε πάντοτε τις σχισμές εξαερισμού της μηχανής καθαρές.

Σε περίπτωση συχνής λειτουργίας ως κρουστικό τρυπάνι πρέπει να καθαρίζετε το τσοκ τακτικά από τη σκόνη. Για το σκοπό αυτόν κρατήστε τη μηχανή με το τσοκ κάθετα προς τα κάτω και ανοίξτε το τσοκ σ' όλο το εύρος σύσφιξης και κλείστε το ξανά. Έτσι πέφτει από το τσοκ η συγκεντρωμένη σκόνη. Συνιστάται η τακτική χρήση σπρέι καθαρισμού στις αιαγόνες σύσφιξης και στις σπές των αιαγόνων σύσφιξης.

Όταν το καλώδιο ηλεκτρικής σύνδεσης έχει υποστεί ζημιά, πρέπει αυτό για την αποφυγή κινδύνων να αντικατασταθεί στην υπηρεσία τεχνικής υποστήριξης πελατών.

Χρησιμοποιείτε μόνο αξεσουάρ Milwaukee και ανταλλακτικά Milwaukee. Εξαρτήματα, που η αλλαγή τους δεν περιγράφεται, αντικαθίστανται σε μια τεχνική υποστήριξη της Milwaukee (βλέπε φυλλάδιο εγγύηση/ διευθύνσεις τεχνικής υποστήριξης).

Σε περίπτωση που το χρειαστείτε μπορείτε να παραγγείλετε λεπτομερές σχέδιο της συσκευής αναφέροντας τον τύπο και τον εξαψήφιο αριθμό που βρίσκεται στην πινακίδα τεχνικών χαρακτηριστικών από την εξυπηρέτηση πελατών ή απευθείας από την Techtronic Industries GmbH, διεύθυνση Max-Eyth-Straße 10, 71364 Winnenden, Germany.

ΣΥΜΒΟΛΑ



ΠΡΟΣΟΧΗ! ΠΡΟΕΙΔΟΠΟΙΗΣΗ! ΚΙΝΔΥΝΟΣ!



Πριν από την πραγματοποίηση εργασιών στη συσκευή βγάλτε το ρευματολήπτη από την πρίζα.



Παρακαλώ διαβάστε σχολαστικά τις οδηγίες χρήσης πριν από την έναρξη λειτουργίας.



Εξαρτήματα - Δεν περιλαμβάνονται στα υλικά παράδοσης, συνιστούμενη προσθήκη από το πρόγραμμα εξαρτημάτων.



Ηλεκτρικά μηχανήματα δεν επιτρέπεται να απορρίπτονται μαζί με τα οικιακά απορρίμματα. Ηλεκτρικά και ηλεκτρονικά μηχανήματα συλλέγονται ξεχωριστά και παραδίδονται προς ανακύκλωση με τρόπο φιλικό προς το περιβάλλον σε επιχείρηση επεξεργασίας απορριμμάτων. Ενημερωθείτε από τις τοπικές υπηρεσίες ή από ειδικευμένους εμπόρους σχετικά με κέντρα ανακύκλωσης και συλλογής απορριμμάτων.



Ηλεκτρικό εργαλείο κατηγορίας ασφάλειας II Ηλεκτρικό εργαλείο στο οποίο η προστασία από ηλεκτροπληξία δεν εξαρτάται μόνο από την βασική μόνωση αλλά και από συμπληρωματικά μέτρα ασφάλειας όπως διπλή ή ενισχυμένη μόνωση.



Σήμα συμμόρφωσης CE

TEKNİK VERİLER Vurmalı matkap makinesi	PD2E 22 R (110 V)	PD2E 22 R (220-240 V)	PD2E 24 R (220-240 V)
Üretim numarası	4195 91 01... ... 000001-999999	4195 71 01... ... 000001-999999	4195 96 01... ... 000001-999999
Giriş gücü	800 W	850 W	1020 W
Çıkış gücü	430 W	460 W	540 W
Boştaki devir sayısı, 1. Vites	0-1000 min ⁻¹	0-1000 min ⁻¹	0-1000 min ⁻¹
Boştaki devir sayısı, 2. Vites	0-3200 min ⁻¹	0-3200 min ⁻¹	0-3200 min ⁻¹
Yükteki maksimum devir sayısı, 1. Vites	0-680 min ⁻¹	0-680 min ⁻¹	0-680 min ⁻¹
Yükteki maksimum devir sayısı, 2. Vites	0-2100 min ⁻¹	0-2100 min ⁻¹	0-2100 min ⁻¹
Yükteki maksimum darbe sayısı	40 000 min ⁻¹	40 000 min ⁻¹	40 000 min ⁻¹
Statik blokaj momenti *	56/30 Nm	56/30 Nm	60/33 Nm
Delme çapı beton	20 mm	20 mm	22 mm
Delme çapı tuğla ve kireçli kum taşı	22 mm	22 mm	24 mm
Delme çapı çelikte	13 mm	13 mm	16 mm
Delme çapı tahta	40 mm	40 mm	40 mm
Mandren kapasitesi	1,5-13 mm	1,5-13 mm	1,5-13 mm
Matkap mili	1/2" x 20	1/2" x 20	1/2" x 20
Germe boynu çapı	43 mm	43 mm	43 mm
Ağırlığı ise EPTA-üretici 01/2003'e göre.	2,8 kg	2,8 kg	2,9 kg
Gürültü/Vibrasyon bilgileri			
Ölçüm değerleri EN 60704-1 e göre belirlenmektedir. Aletin, frekansa bağımlı uluslararası ses basıncı seviyesi değerlendirme eğrisi A'ya göre tipik gürültü seviyesi:			
Ses basıncı seviyesi (Tolerans K=3dB(A))	98 dB (A)	98 dB (A)	96 dB (A)
Akustik kapasite seviyesi (Tolerans K=3dB(A))	109 dB (A)	109 dB (A)	107 dB (A)
Koruyucu kulaklık kullanın!			
Toplam titreşim değeri (üç yönün vektör toplamı) EN 60745'e göre belirlenmektedir:			
Metal delme:			
titreşim emisyon değeri a _{h,d}	7,6 m/s ²	7,6 m/s ²	10,0 m/s ²
Tolerans K=	1,5 m/s ²	1,5 m/s ²	1,5 m/s ²
Darbeli beton delme			
titreşim emisyon değeri a _{h,d}	17,1 m/s ²	17,1 m/s ²	17,8 m/s ²
Tolerans K=	1,5 m/s ²	1,5 m/s ²	1,5 m/s ²

* Milwaukee Norm N 877318'e göre ölçülmüştür.

UYARI

Bu talimatlarda belirtilen titreşim seviyesi, EN 60745 standardına uygun bir ölçme metodu ile ölçülmüştür ve elektrikli el aletleri birbiriyle karşılaştırmak için kullanılabilir. Ölçüm sonuçları ayrıca titreşim yükünün geçici değerlendirmesi için de uygundur. Belirtilen titreşim seviyesi, elektrikli el aletinin genel uygulamaları için geçerlidir. Ancak elektrikli el aleti başka uygulamalar için, farklı eklenti parçalarıyla ya da yetersiz bakım koşullarında kullanılırsa, titreşim seviyesi farklılık gösterebilir. Bu durumda, titreşim yükü toplam çalışma zamanı aralığı içerisinde belirgin ölçüde yükselebilir. Titreşim yükünün tam bir değerlendirmesi için ayrıca cihazın kapalı olduğu süreler ve cihazın çalışır durumda olduğu, ancak gerçek kullanımda bulunmadığı süreler de dikkate alınmalıdır. Böylelikle, toplam çalışma zamanı aralığı boyunca meydana gelen titreşim yükü belirgin ölçüde azaltılabilir. Kullanıcı titreşimlerin etkisinden korumak üzere, örneğin elektrikli el aletlerinin ve eklenti parçalarının bakımı, ellerin sıcak tutulması ve iş akışlarının organizasyonu gibi ek güvenli tedbirleri belirleyiniz.



Tür

⚠ UYARI! Güvenlikle ilgili bütün açıklamaları. Açıklanan uyarılara ve talimat hükümlerine uyulmadığı takdirde elektrik çarpmalarına, yangınlara ve/veya ağır yaralanmalara neden olunabilir.

Bütün uyarıları ve talimat hükümlerini ileride kullanmak üzere saklayın.

⚠ MATKAPLAR İÇİN GÜVENLİK AÇIKLAMALARI

Tepmeli matkap olarak işleme için koruma cihazı taşıyınız. Gürültü etkisi işleme kaybını etkiler.

Aletle birlikte teslim edilen ek tutamakları kullanın. Aletin kontrolden çıkması kazalara neden olabilir.

Kesme aletinin eğrilmiş elektrik kabloları veya kendi kablosuna isabet eden çalışmalar yapılrken cihazı izole edilmiş kollarından tutun. Kesme aletinin içinden elektrik akımı geçen kablo ile temas etmesi durumunda elektrik akımı cihazın metal kısımlarına geçer ve elektrik çarpmasına sebebiyet verebilir.

Ek güvenlik ve çalışma talimatları

Koruma teçhizatı kullanın. Makinede çalışırken devamlı surette koruyucu gözlük takın. Koruyucu elbise ve tozlardan korunma maskesi, emniyet eldivenleri ve sağlam ve kaymaya mukavim ayakkabı giyin. Başlık ve kulaklık tavsiye edilir.

Bağlantı kablosunu aletten uzak tutun. Kablo daima aletin arkasında olmalıdır ve toplanmamalıdır.

Sağlık tehlikelerine neden olan malzemelerin işlenmesi yasaktır (örn. asbest).

Duvar, tavan ve zeminde delik açarken elektrik kablolarına, gaz ve su borularına dikkat edin.

İşlenen parçayı bir germe tertibatıyla emniyete alın. Emniyete alınmayan iş parçaları ağır yaralanmalar ve hasarlara neden olabilir.

Kaya uçlarıyla çalışırken darbe mekanizmasını kapatın.

Uca yerleştirilen takımın bloke olması halinde lütfen cihazı hemen kapatın! Uca yerleştirilen takım bloke olduğu sürece cihazı tekrar çalıştırmayın; bu sırada yüksek reaksiyon momentine sahip bir geri tepme meydana gelebilir. Uca yerleştirilen takımın neden bloke olduğuna bakın ve bu durumu güvenlik uyarılarına dikkat ederek gidirin.

Olası nedenler şunlar olabilir:

- İşlenen parça içinde takılma
- İşlenen malzemenin delinmesi
- Elektrikli alete aşırı yük binmesi

Ellerinizi çalışmakta olan makinenin içine uzatmayın.

Uca yerleştirilen takım kullanım sırasında ısınabilir.

UYARI!! Yanma tehlikesi

- takım değiştirme sırasında
- aletin yere bırakılması sırasında

Alet çalışır durumda iken talaş ve kırpıntıları temizlemeye çalışmayın.

Aletin kendinde bir çalışma yapmadan önce fişi prizden çekin.

KULLANIM

Bu darbeli matkap delme ve darbeli delme işlerinde çok yönlü olarak kullanılabilir.

Bu alet sadece belirttiği gibi ve usulüne uygun olarak kullanılabilir.

CE UYGUNLUK BEYANI

Tek sorumlu olarak „Teknik Veriler“ bölümünde tarif edilen ürünün 2011/65/EU (RoHS), 2004/108/EC, 2006/42/EC sayılı direktifin ve aşağıdaki harmonize temel belgelerin bütün önemli hükümlerine uygun olduğunu beyan etmekteyiz:

EN 60745-1:2009 + A11:2010

EN 60745-2-1:2010

EN 55014-1:2006 + A1:2009 + A2:2011

EN 55014-2:1997 + A1:2001 + A2:2008

EN 61000-3-2:2006 + A1:2009 + A2:2009

EN 61000-3-3:2008



Winnenden, 2014-04-24

Alexander Krug / Managing Director
Teknik evrakları hazırlamakla görevlendirilmiştir.

Techtronic Industries GmbH
Max-Eyth-Straße 10, 71364 Winnenden, Germany

ŞEBEKE BAĞLANTISI

Açık havadaki prizler hatalı akım koruma şalteri (FI, RCD, PRCD) ile donatılmış olmalıdır. Bu, elektrik tesisatındaki bir zorunluluktur. Lütfen aletimizi kullanırken bu hususa dikkat edin.

Aleti sadece tek fazlı alternatif akıma ve tip etiketi üzerinde belirtilen şebeke gerilimine bağlayın. Yapısı Koruma sınıfı II'ye girdiğinden alet koruyucu kontaklız prize de bağlanabilir.

Aleti sadece kapalı iken prize takın.

BAKIM

Aletin havalandırma aralıklarını daima temiz tutun.

Sık sık darbeli delme yapıyorsanız mandreni düzenli aralıklarla tozdan arındırın. Bu işleme yapmak için aleti mandren aşağıya bakacak biçimde dik olarak tutun, mandreni sonuna kadar açıp, kapayın. Birikmiş olan toz bu durumda mandrenden aşağı düşer. Ayrıca, germe çenelerine ve germe çenesi deliklerine düzenli olarak bakım spreyi uygulamanızı öneririz.

Şayet ağ bağlantı borusu hasar görmüş ise, tehlikeleri engellemek amacıyla müşteri servisi tarafından değiştirilmelebilir.

Sadece Milwaukee aksesuarı ve yedek parçası kullanın. Nasıl değiştirileceği açıklanmamış olan yapı parçalarını bir Milwaukee müşteri servisinde değiştirin (Garanti ve servis adresi broşürüne dikkat edin).

Gerektiğinde cihazın ayrıntılı çizimini, güç levhası üzerindeki makine modelini ve altı haneli rakamı belirterek müşteri servisinden veya doğrudan Techtronic Industries GmbH, Max-Eyth-Straße 10, 71364 Winnenden, Germany adresinden isteyebilirsiniz.

SEMBOLLER



DIKKAT! UYARI! TEHLİKE!



Aletin kendinde bir çalışma yapmadan önce fişi prizden çekin.



Lütfen aleti çalıştırmadan önce kullanma kılavuzunu dikkatli biçimde okuyun.



Aksesuar - Teslimat kapsamında değildir, önerilen tamamlamalar aksesuar programında.



Elektrikli cihazların evsel atıklarla birlikte bertaraf edilmesi yasaktır. Elektrikli ve elektronik cihazlar ayrılarak biriktirilmeli ve çevreye zarar vermeden bertaraf edilmeleri için bir atık değerlendirme tesisine götürülmelidirler. Yerel makamlara veya satıcınıza geri dönüşüm tesisleri ve atık toplama merkezlerinin yerlerini danışınız.



Koruma sınıfı II olan elektrikli aletler Elektrik çarpmasına karşı korumanın sadece temel izolasyona bağlı olmayıp, aynı zamanda çift izolasyon veya takviyeli izolasyon gibi ek koruyucu önlemlerin alınmasına bağlı olan elektrikli alet.



CE işareti



TECHNICKÁ DATA Příklepové vrtačky	PD2E 22 R (110 V)	PD2E 22 R (220-240 V)	PD2E 24 R (220-240 V)
Výrobní číslo	4195 91 01... ... 000001-999999	4195 71 01... ... 000001-999999	4195 96 01... ... 000001-999999
Jmenovitý výkon	800 W	850 W	1020 W
Odběr	430 W	460 W	540 W
Počet otáček při běhu naprázdno, 1. rychlost	0-1000 min ⁻¹	0-1000 min ⁻¹	0-1000 min ⁻¹
Počet otáček při běhu naprázdno, 2. rychlost	0-3200 min ⁻¹	0-3200 min ⁻¹	0-3200 min ⁻¹
Počet otáček při zatížení max, 1. rychlost	0-680 min ⁻¹	0-680 min ⁻¹	0-680 min ⁻¹
Počet otáček při zatížení max, 2. rychlost	0-2100 min ⁻¹	0-2100 min ⁻¹	0-2100 min ⁻¹
Počet úderů max	40 000 min ⁻¹	40 000 min ⁻¹	40 000 min ⁻¹
Statický krouticí moment *	56/30 Nm	56/30 Nm	60/33 Nm
Vrtací ø v betonu	20 mm	20 mm	22 mm
Vrtání ø v cihle a vápenopískové cihle	22 mm	22 mm	24 mm
Vrtací ø v oceli	13 mm	13 mm	16 mm
Vrtací ø v dřevě	40 mm	40 mm	40 mm
Rozsah upnutí sklíčidla	1,5-13 mm	1,5-13 mm	1,5-13 mm
Vrtací vřeteno	1/2" x 20	1/2" x 20	1/2" x 20
ø upínacího krčku	43 mm	43 mm	43 mm
Hmotnost podle prováděcího předpisu EPTA 01/2003	2,8 kg	2,8 kg	2,9 kg
Informace o hluku / vibracích			
Naměřené hodnoty odpovídají EN 60 745. V třídě A posuzovaná hladina hluku přístroje činí typicky:			
Hladina akustického tlaku (Kolísavost K=3dB(A))	98 dB (A)	98 dB (A)	96 dB (A)
Hladina akustického výkonu (Kolísavost K=3dB(A))	109 dB (A)	109 dB (A)	107 dB (A)
Používejte chrániče sluchu!			
Celkové hodnoty vibrací (vektorový součet tří směrů) zjištěné ve smyslu EN 60745.			
Vrtání kovů:			
Hodnota vibračních emisí a _{h,d}	7,6 m/s ²	7,6 m/s ²	10,0 m/s ²
Kolísavost K=	1,5 m/s ²	1,5 m/s ²	1,5 m/s ²
Vrtání betonu s příklepem			
Hodnota vibračních emisí a _{h,10}	17,1 m/s ²	17,1 m/s ²	17,8 m/s ²
Kolísavost K=	1,5 m/s ²	1,5 m/s ²	1,5 m/s ²

* Změřeno podle normy Milwaukee N 877318

VAROVÁN

Úroveň chvění uvedená v tomto návodu byla naměřena podle metody měření stanovené normou EN 60745 a může být použita pro porovnání elektrického nářadí. Hodí se také pro průběžný odhad zatížení chvěním.

Uvedená úroveň chvění představuje hlavní účely použití elektrického nářadí. Jestliže se ale elektrické nářadí používá pro jiné účely, s odlišnými nástroji nebo s nedostatečnou údržbou, může se úroveň chvění odlišovat. To může značně zvýšit zatížení chvěním během celé pracovní doby. Pro přesný odhad zatížení chvěním se musí také zohlednit časy, během kterých je přístroj vypnutý nebo kdy je síce v chodu, ale skutečně se s ním nepracuje. To může zatížení chvěním během celé pracovní doby značně snížit.

Stanovte doplňková bezpečnostní opatření pro ochranu obsluhy před účinky chvění jako například: technická údržba elektrického nářadí a nástrojů, udržování teploty rukou, organizace pracovních procesů.

VAROVÁNÍ! Seznamte se se všemi bezpečnostními pokyny a sice i s pokyny. Zanedbání při dodržování varovných upozornění a pokynů mohou mít za následek úder elektrickým proudem, požár a ebo těžká poranění.
Všechna varovná upozornění a pokyny do budoucna uschovejte.

BEZPEČNOSTNÍ UPOZORNĚNÍ PRO VRTAČKY

Při vrátání s příklepem používejte prostředky k ochraně sluchu. Nadměrný hluk může vést ke ztrátě sluchu.

Používejte doplňková madla dodávaná s přístrojem. Nedostatečným držením by mohlo dojít ke zranění.

Při provádění prací, při kterých nástroj může narazit na skryta elektrická vedení nebo na vlastní kabel, držte přístroj za izolované přídržovací plošky. Kontakt řezného nástroje s vedením pod napětím může vést k přenosu napětí na kovové části přístroje a k úrazu elektrickým proudem.

Další bezpečnostní a pracovní pokyny

Použijte ochranné vybavení. Při práci s elektrickým nářadím používejte vždy ochranné brýle. Doporučujeme rovněž použití součástí ochranného oděvu a ochranné obuvi, jako protiprašné masky, ochranných rukavic, pevné a neklouzající obuvi, ochranné přílby a ochrany sluchu.

Neustále dbát na to, aby byl kabel pro připojení k elektrické síti mimo dosah stroje. Kabel vést vždy směrem dozadu od stroje.

Nesmíte se opracovávat materiály, které mohou způsobit ohrožení zdraví (např. azbest)

Při vrátání do zdi, stropu nebo podlahy dávat pozor na elektrické kabely, plynová a vodovodní potrubí.

Obrobek zabezpečte upínacím zařízením. Nezabezpečené obrobky mohou způsobit těžká poranění a poškození.

Při práci s diamantovou korouk vypněte příklep.

Při zablokování nasazeného nástroje přístroj okamžitě vypněte! Přístroj nezapínejte, pokud je nasazený nástroj zablokovaný; mohl by při tom vzniknout zpětný náraz s vysokým reakčním momentem. Zjistěte příčinu zablokování nasazeného nástroje a odstraňte ji při dodržení bezpečnostních pokynů.

Možnými příčinami mohou být:

- vzpříčení v opracovávaném obrobku
- přelomení opracovávaného materiálu
- přetížení elektrického přístroje

Nezasahujte do běžícího stroje.

Nasazený nástroj se může během používání rozpálit.
VAROVÁNÍ!! Nebezpečí popálení.

- při výměně nástroje
- při odkládání přístroje

Pokud stroj běží, nesmí být odstraňovány třísky nebo odštěpky.

Před každou prací na stroji vytáhnout přívodní kabel ze zásuvky.

OBLAST VYUŽITÍ

Příklepová vrtačka je univerzálně použitelná k vrátání a k příklepovému vrátání.

Toto zařízení lze používat jen pro uvedený účel.

CE-PROHLÁŠENÍ O SHODĚ

Výhradně na vlastní zodpovědnost prohlašujeme, že se výrobek popsáný v „Technických údajích“ shoduje se všemi relevantními předpisy směrnice 2011/65/EU (RoHS), 2004/108/ES, 2006/42/ES a s následujícími harmonizovanými normativními dokumenty:

EN 60745-1:2009 + A11:2010

EN 60745-2-1:2010

EN 55014-1:2006 + A1:2009 + A2:2011

EN 55014-2:1997 + A1:2001 + A2:2008

EN 61000-3-2:2006 + A1:2009 + A2:2009

EN 61000-3-3:2008



Winnenden, 2014-04-24

Alexander Krug / Managing Director

Zplnomocněn k sestavování technických podkladů.

Techtronic Industries GmbH

Max-Eyth-Straße 10, 71364 Winnenden, Germany

PŘIPOJENÍ NA SÍT

Ve venkovním prostředí musí být zásuvky vybaveny proudovým chráničem (FI, RCD, PRCD). Je to vyžadováno instalačním předpisem pro toto el.zařízení. Dodržujte ho při používání tohoto nářadí, prosím.

Připojit pouze do jednofázové střídavé sítě o napětí uvedeném na štítku. Lze připojit i do zásuvky bez ochranného kontaktu nebo spotřebiči je třídy II.

Přívodní kabel zapojit do zásuvky jen při vypnutém stroji.

ÚDRŽBA

Větrací šterbiny nářadí udržujeme stále čisté.

Při častém příklepovém provozu je třeba sklíčidlo pravidelně zbavovat prachu. Za tím účelem podržte stroj tak, aby sklíčidlo směřovalo kolmo dolů a otevřete a zavřete sklíčidlo v celém upínacím rozsahu. Tak z něj vypadne nahromaděný prach. Doporučuje se také pravidelné používání čistících spreje na upínací čelisti a na otvory upínacích čelistí.

V případě poškození přívodního kabelu je nutné nechat provést výměnu v zákaznickém servisu, aby se předešlo vzniku možných nebezpečných situací.

Používat výhradně příslušenství Milwaukee a náhradní díly Milwaukee. Díly jejichž výměny nebyla popsána, nechte vyměnit v autorizovaném servisu.“Záruky / Seznam servisních míst)

V případě potřeby si můžete v servisním centru pro zákazníky nebo přímo od firmy Techtronic Industries GmbH, Max-Eyth-Straße 10, 71364 Winnenden, Německo vyžádat schematický náčrt jednotlivých dílů přístroje, když uvedete typ přístroje a šestimístné číslo na výkonovém štítku.



SYMBOLY



POZOR! VAROVÁNÍ! NEBEZPEČÍ!



Před každou prací na stroji vytáhnout přírodní kabel ze zásuvky.



Před spuštěním stroje si pečlivě přečtěte návod k používání.



Příslušenství není součástí dodávky, viz program příslušenství.



Elektrické přístroje se nesmí likvidovat společně s odpadem z domácností. Elektrické a elektronické přístroje je třeba sbírat odděleně a odevzdat je v recyklačním podniku na ekologickou likvidaci. Na místních úřadech nebo u vašeho specializovaného prodejce se informujte na recyklační podniky a sběrné dvory.



Elektrický přístroj s třídou ochrany II Elektrický přístroj, u kterého ochrana před zásahem el. proudem závisí nejen na základní izolaci, ale i na tom, že budou použita také doplňková ochranná opatření, jakými jsou dvojitá izolace nebo zesílená izolace.



Značka CE



TECHNICKÉ ÚDAJE Príklepová vŕtačka	PD2E 22 R (110 V)	PD2E 22 R (220-240 V)	PD2E 24 R (220-240 V)
Výrobné číslo	4195 91 01... ... 000001-999999	4195 71 01... ... 000001-999999	4195 96 01... ... 000001-999999
Menovitý príkon	800 W	850 W	1020 W
Výkon	430 W	460 W	540 W
Otáčky naprázdno, 1. prevodový stupeň	0-1000 min ⁻¹	0-1000 min ⁻¹	0-1000 min ⁻¹
Otáčky naprázdno, 2. prevodový stupeň	0-3200 min ⁻¹	0-3200 min ⁻¹	0-3200 min ⁻¹
Max. otáčky pri záťaži, 1. prevodový stupeň	0-680 min ⁻¹	0-680 min ⁻¹	0-680 min ⁻¹
Max. otáčky pri záťaži, 2. prevodový stupeň	0-2100 min ⁻¹	0-2100 min ⁻¹	0-2100 min ⁻¹
Max. počet úderov pri záťaži	40 000 min ⁻¹	40 000 min ⁻¹	40 000 min ⁻¹
Statický blokovací moment *	56/30 Nm	56/30 Nm	60/33 Nm
Priemer vrtu do betónu	20 mm	20 mm	22 mm
Priemer vrtu do tehly a vápencového pieskovca	22 mm	22 mm	24 mm
Priemer vrtu do ocele	13 mm	13 mm	16 mm
Priemer vrtu do dreva	40 mm	40 mm	40 mm
Upínací rozsah skľúčovadla	1,5-13 mm	1,5-13 mm	1,5-13 mm
Vŕtacie vreteno	1/2" x 20	1/2" x 20	1/2" x 20
Priemer upínacieho hrdla	43 mm	43 mm	43 mm
Hmotnosť podľa vykonávacieho predpisu EPTA 01/2003	2,8 kg	2,8 kg	2,9 kg
Informácia o hluku / vibráciách			
Namerané hodnoty určené v súlade s EN 60 745. V triede A posudzovaná hladina hluku prístroja číni typicky:			
Hladina akustického tlaku (Kolíisavosť K=3dB(A))	98 dB (A)	98 dB (A)	96 dB (A)
Hladina akustického výkonu (Kolíisavosť K=3dB(A))	109 dB (A)	109 dB (A)	107 dB (A)
Používajte ochranu sluchu!			
Celkové hodnoty vibrácií (vektorový súčet troch smerov) zistených zmysle EN 60745.			
Vŕtanie kovov:			
Hodnota vibračných emisíi a _{h,D}	7,6 m/s ²	7,6 m/s ²	10,0 m/s ²
Kolíisavosť K=	1,5 m/s ²	1,5 m/s ²	1,5 m/s ²
Vŕtanie betónu s príklepom			
Hodnota vibračných emisíi a _{h,D}	17,1 m/s ²	17,1 m/s ²	17,8 m/s ²
Kolíisavosť K=	1,5 m/s ²	1,5 m/s ²	1,5 m/s ²

* Merané podľa Milwaukee normy N 877318

POZOR

Úroveň vibrácií uvedená v týchto pokynoch bola nameraná meracou metódou, ktorú stanovuje norma EN 60745 a je možné ju použiť na vzájomné porovnanie elektrického náradia. Hodí sa aj na predbežné posúdenie kmitavého namáhania.

Uvedená úroveň vibrácií reprezentuje hlavné aplikácie elektrického náradia. Ak sa však elektrické náradie používa pre iné aplikácie, s odlišnými vloženými nástrojmi alebo s nedostatočnou údržbou, môže sa úroveň vibrácií líšiť. Toto môže kmitavé namáhanie v priebehu celej pracovnej doby podstatne zvýšiť.

Pre presný odhad kmitavého namáhania by sa mali tiež zohľadniť doby, v ktorých je náradie vypnuté alebo je síce v chode, ale v skutočnosti sa nepoužíva. Toto môže kmitavé namáhanie v priebehu celej pracovnej doby zreteľne redukovať.

Stanovte dodatočné bezpečnostné opatrenia pre ochranu obsluhy pred účinkami vibrácií, ako napríklad: údržba elektrického náradia a vložených nástrojov, udržiavanie teploty rúk, organizácia pracovných postupov.



⚠ POZOR! Zoznámte sa so všetkými bezpečnostnými pokynmi. Zanedbanie dodržiavania Výstražných upozornení a pokynov uvedených v nasledujúcom texte môže mať za následok zásah elektrickým prúdom, spôsobiť požiar a/alebo ťažké poranenie.

Tieto Výstražné upozornenia a bezpečnostné pokyny starostlivo uschovajte na budúce použitie.

⚠ VARNOSTNA NAVODILA ZA VRTALNE STROJE

Pri vrtaní s príklepom používajte prostriedky k ochrane sluchu. Nadmerný hluk môže viesť k strate sluchu.

Používajte prídavné rukoväte dodané spolu s prístrojom. Strata kontroly nad strojom môže viesť k zraneniu.

Pri realizovaní prác, pri ktorých nástroj môže naraziť na skryté elektrické vedenia alebo na vlastný kábel, držte prístroj za izolované pridrôvacie plošky. Kontakt rezného nástroja s vedením pod napätím môže viesť k prenosu napätia na kovové časti prístroja a k úrazu elektrickým prúdom.

Ďalšie bezpečnostné a pracovné pokyny

Použite ochranné vybavenie. Pri práci s elektrickým náradím používajte vždy ochranné okuliare. Doporučujeme taktiež použitie súčastí ochranného odevu a ochrannej obuvi, ako sú protiprašná maska, ochranné rukavice, pevná a neklzajúca obuv, ochranná prilba a ochrana sluchu.

Pripojovací kábel držte mimo pracovnej oblasti stroja. Kábel smerujte vždy smerom dozadu od stroja.

Nesmú sa opracovávať materiály, ktoré môžu spôsobiť ohrozenie zdravia (napr. azbest)

Pri práci v stene, strope alebo v podlahe dávajte pozor na elektrické káble, plynové a vodovodné potrubia.

Obrobok zabezpečte upínacím zariadením. Nezabezpečené obrobky môžu spôsobiť ťažké poranenia a poškodenia.

Pri práci s diamantovými vŕtačmi korunkami príklep vypnite.

Pri zablokovaní nasadeného nástroja prístroj okamžite vypnite! Prístroj nezapínajte, pokiaľ je nasadený nástroj zablokovaný; mohol by pri tom vzniknúť spätný náraz s vysokým reakčným momentom. Príčinu zablokovania nasadeného nástroja zistite a odstráňte so zohľadnením bezpečnostných pokynov.

Možnými príčinami môžu byť:

- spriechenenie v opracovávanom obrobku
- prelomenie opracovávaného materiálu
- preťaženie elektrického prístroja

Nezasahujte do bežiacieho stroja.

Nasadený nástroj sa počas používania môže rozhorúčiť.

POZOR!! Nebezpečenstvo popálenia

- pri výmene nástroja
- pri odkladaní prístroja

Triesky alebo úlomky sa nesmú odstraňovať za chodu stroja.

Pred každou prácou na stroji vytiahnuť zástrčku zo zásuvky.

POUŽITIE PODĽA PREDPISOV

Príklopová vŕtačka je univerzálne použiteľná na vŕtanie a príklepové vŕtanie.

Tento prístroj sa smie používať len v súlade s uvedenými predpismi.

CE - VYHLÁSENIE KONFORMITY

Výhradne na vlastnú zodpovednosť vyhlasujeme, že výrobok popísaný v „Technických údajoch“ sa zhoduje so všetkými relevantnými predpismi smernice 2011/65/EU (RoHS), 2004/108/ES, 2006/42/ES a nasledujúcimi harmonizujúcimi normatívnymi dokumentmi:

EN 60745-1:2009 + A11:2010

EN 60745-2-1:2010

EN 55014-1:2006 + A1:2009 + A2:2011

EN 55014-2:1997 + A1:2001 + A2:2008

EN 61000-3-2:2006 + A1:2009 + A2:2009

EN 61000-3-3:2008



Winnenden, 2014-04-24

Alexander Krug / Managing Director
Splnomocnený zostaviť technické podklady.

Techtronic Industries GmbH
Max-Eyth-Straße 10, 71364 Winnenden, Germany

SIETOVÁ PRÍPOJKA

Zásuvky vo vonkajšom prostredí musia byť vybavené ochranným spínačom proti prudovým nárazom (FI, RCD, PRCD). Toto je inštalačný predpis na Vaše elektrické zariadenie. Venujte prosím tomuto pozornost pri používaní nášho prístroja.

Pripájajte len na jednofázový striedavý prúd a na sieťové napätie uvedené na štítku. Pripojenie je možné aj do zásuviek bez ochranného kontaktu, pretože ide o konštrukciu ochrannej triedy II. Do zásuvky pripájajte len vypnutý prístroj.

ÚDRZBA

Vetracie otvory udržiavať stále v čistote.

Pri častom vŕtaní s príklepom by malo byť skľučovadlo pravidelne čistené od prachu. K tomu je potrebné stroj nasmerovať skľučovadlom kolmo nadol a v celom upínacom rozsahu skľučovadlo roztvoriť a zatvoriť. Nazbieraný prach takto zo skľučovadla vypadne. Odporúča sa pravidelná aplikácia čistiaceho spreju na upínacie čeluste a na vŕtanie upínacích čelustí.

V prípade poškodenia prírodného kábla je nutné tento nechať vymeniť zákaznickým servisom, aby sa predišlo riziku možných nebezpečenstiev.

Používať len Milwaukee príslušenstvo a Milwaukee náhradné diely.

Súčiastky bez návodu na výmenu treba dať vymeniť v jednom z Milwaukee zákaznických centier (viď brožúru Záruka/Adresa zákaznických centier).

V prípade potreby si môžete z firmy Techtronic Industries GmbH, Max-Eyth-Straße 10, 71364 Winnenden, Nemecko, vyžiadať schematický náčrt jednotlivých dielov prístroja pri uvedení typu prístroja a šesťmiestneho čísla na výkonovom štítku.

Slovensky

SYMBOLY



POZOR! NEBEZPEČENSTVO!



Pred každou prácou na stroji vytiahnuť zástrčku zo zásuvky.



Pred prvým použitím prístroja si pozorne prečítajte návod na obsluhu.



Príslušenstvo - nie je súčasťou štandardnej výbavy, odporúčané doplnenie z programu príslušenstva.



Elektrické prístroje sa nesmú likvidovať spolu s odpadom z domácností. Elektrické a elektronické prístroje treba zbierať oddelene a odovzdať ich v recyklačnom podniku na ekologickú likvidáciu. Na miestnych úradoch alebo u vášho špecializovaného predajcu sa spýtajte na recyklačné podniky a zberné dvory.



Elektrický prístroj triedy ochrany II Elektrický prístroj, pri ktorom ochrana pred zásahom el. prúdom závisí nie len od základnej izolácie, ale aj od toho, že budú použité aj doplnkové ochranné opatrenia, akými sú dvojité izolácie alebo zosilnená izolácia.



Značka CE



DANE TECHNICZNE Wiertarka udarowa	PD2E 22 R (110 V)	PD2E 22 R (220-240 V)	PD2E 24 R (220-240 V)
Numer produkcyjny	4195 91 01... ... 000001-999999	4195 71 01... ... 000001-999999	4195 96 01... ... 000001-999999
Znamionowa moc wyjściowa	800 W	850 W	1020 W
Moc wyjściowa	430 W	460 W	540 W
Prędkość bez obciążenia, 1 bieg	0-1000 min ⁻¹	0-1000 min ⁻¹	0-1000 min ⁻¹
Prędkość bez obciążenia, 2 bieg	0-3200 min ⁻¹	0-3200 min ⁻¹	0-3200 min ⁻¹
Maksymalna prędkość obrotowa pod obciążeniem, 1 bieg	0-680 min ⁻¹	0-680 min ⁻¹	0-680 min ⁻¹
Maksymalna prędkość obrotowa pod obciążeniem, 2 bieg	0-2100 min ⁻¹	0-2100 min ⁻¹	0-2100 min ⁻¹
Częstotliwość udaru przy obciążeniu maks.	40 000 min ⁻¹	40 000 min ⁻¹	40 000 min ⁻¹
Moment statyczny zakleszczenia *	56/30 Nm	56/30 Nm	60/33 Nm
Zdolność wiercenia w betonie	20 mm	20 mm	22 mm
Zdolność wiercenia w cegła i płytki ceramiczne	22 mm	22 mm	24 mm
Zdolność wiercenia w stali	13 mm	13 mm	16 mm
Zdolność wiercenia w drewnie	40 mm	40 mm	40 mm
Zakres otwarcia uchwytu wiertarskiego	1,5-13 mm	1,5-13 mm	1,5-13 mm
Chwył napędu	1/2" x 20	1/2" x 20	1/2" x 20
Średnica szyjki uchwytu	43 mm	43 mm	43 mm
Ciężar wg procedury EPTA 01/2003	2,8 kg	2,8 kg	2,9 kg
Informacja dotycząca szumów/wibracji			
Zmierzone wartości wyznaczone zgodnie z normą EN 60 745. Poziom szumów urządzenia oszacowany jako A wynosi typowo:			
Poziom ciśnienia akustycznego (Niepewność K=3dB(A))	98 dB (A)	98 dB (A)	96 dB (A)
Poziom mocy akustycznej (Niepewność K=3dB(A))	109 dB (A)	109 dB (A)	107 dB (A)
Należy używać ochroniaczy uszu!			
Wartości łączne drgań (suma wektorowa trzech kierunków) wyznaczone zgodnie z normą EN 60745			
Wiercenie w metalu:			
Wartość emisji drgań a _{h,d}	7,6 m/s ²	7,6 m/s ²	10,0 m/s ²
Niepewność K=	1,5 m/s ²	1,5 m/s ²	1,5 m/s ²
Wiercenie udarowe w betonie			
Wartość emisji drgań a _{h,10}	17,1 m/s ²	17,1 m/s ²	17,8 m/s ²
Niepewność K=	1,5 m/s ²	1,5 m/s ²	1,5 m/s ²

* Zmierzone zgodnie z normą Milwaukee N 877318

OSTRZEŻENIE

Podany w niniejszych instrukcjach poziom drgań został zmierzony za pomocą metody pomiarowej zgodnej z normą EN 60745 i może być użyty do porównania ze sobą elektronarzędzi. Nadaje się on również do tymczasowej oceny obciążenia wibracyjnego.

Podany poziom drgań reprezentuje główne zastosowania elektronarzędzia. Jeśli jednakże elektronarzędzie użyte zostanie do innych celów z innymi narzędziami roboczymi lub nie jest dostatecznie konserwowane, wtedy poziom drgań może wykazywać odchylenia. Może to wyraźnie zwiększyć obciążenie wibracjami przez cały okres pracy.

Dla dokładnego określenia obciążenia wibracjami należy uwzględnić również czasy, w których urządzenie jest wyłączone względnie jest włączone, lecz w rzeczywistości nie pracuje. Może to spowodować wyraźną redukcję obciążenia wibracyjnego w całym okresie pracy. Należy wprowadzić dodatkowe środki zapobiegawcze celem ochrony obsługującego przed oddziaływaniem drgań, jak na przykład: konserwacja narzędzi roboczych i elektronarzędzi, nagrzanie rąk, organizacja przebiegu pracy.

⚠️ OSTRZEŻENIE! Prosimy o przeczytanie wskazówek bezpieczeństwa i zaleceń, również tych. Błędy w przestrzeganiu poniższych wskazówek mogą spowodować porażenie prądem, pożar i/lub ciężkie obrażenia ciała. **Należy starannie przechowywać wszystkie przepisy i wskazówki bezpieczeństwa dla dalszego zastosowania.**

⚠️ ZASADY BEZPIECZEŃSTWA DLA WIERTAREK

Do wiercenia udarowego należy zakładać ochronniki słuchu. Hałas może powodować utratę słuchu.

Stosować uchwyty pomocnicze dostarczone z narzędziem. Utrata kontroli może spowodować obrażenia.

Trzymaj urządzenie za izolowane powierzchnie chwytne gdy wykonujesz roboty, w trakcie których narzędzie skrawające może natrafić na ukryte przewody prądowe lub na własny kabel. Styczność narzędzia skrawającego z będącym pod napięciem przewodem może spowodować podłączenie części metalowych urządzenia do napięcia i prowadzić do porażenia prądem elektrycznym.

Dodatkowe wskazówki bezpieczeństwa i instrukcje robocze

Stosować wyposażenie ochronne. Przy pracy maszyną zawsze nosić okulary ochronne. Zalecana jest odzież ochronna, jak maska pyłochronna, rękawice ochronne, mocne i chroniące przed poślizgiem obuwie, kask i ochronniki słuchu.

Kabel zasilający nie może znajdować się w obszarze roboczym elektronarzędzia. Powinien on się zawsze znajdować się za operatorem.

Nie wolno obrabiać materiałów, które mogą być przyczyną zagrożenia zdrowia (na przykład azbestu).

Podczas pracy przy ścianach, sufitach i podłodze należy uważać na kable elektryczne, przewody gazowe i wodociągowe.

Należy zabezpieczyć przedmiot poddawany obróbce za pomocą urządzenia mocującego. Niezabezpieczone przedmioty poddawane obróbce mogą spowodować ciężkie obrażenia ciała i uszkodzenia.

W trybie pracy udarowej nie stosować koronek diamentowych.

W przypadku zablokowania narzędzia nasadzanego należy natychmiast wyłączyć urządzenie! Nie należy ponownie włączać urządzenia tak długo, jak długo narzędzie nasadzone jest zablokowane; przy tym mógłby powstać odrzut zwrotny o dużym momencie reakcyjnym. Należy wykryć i usunąć przyczynę zablokowania narzędzia nasadzanego uwzględniając wskazówki dotyczące bezpieczeństwa.

Możliwymi przyczynami tego mogą być:

- Skośne ustawienie się w poddawany obróbce przedmiocie obrabianym
- Przerwanie materiału poddawanego obróbce
- Przeciążenie narzędzia elektrycznego

Nie należy sięgać do wnętrza maszyny będącej w ruchu.

Narzędzie nasadzone może w trakcie użytkowania stać się gorące.

OSTRZEŻENIE!! Niebezpieczeństwo oparzenia się

- przy wymianie narzędzia
- przy odstawianiu urządzenia

Podczas pracy elektronarzędzia nie wolno usuwać trocin ani drzazg.

Przed rozpoczęciem jakichkolwiek pracy przy urządzeniu należy wyciągnąć wtyczkę z gniazdka.

WARUNKI UŻYTKOWANIA

Wiertarka/wkrętarka do uniwersalnych zastosowań przy wierceniu i wierceniu udarowym.

Produkt można użytkować wyłącznie zgodnie z jego normalnym przeznaczeniem.

DEKLARACJA ZGODNOŚCI CE

Oświadczamy na naszą wyłączną odpowiedzialność, że produkt opisany w punkcie „Dane techniczne” jest zgodny ze wszystkimi istotnymi przepisami Dyrektywy 2011/65/EU (RoHS), 2004/108/WE, 2006/42/WE oraz z następującymi zharmonizowanymi dokumentami normatywnymi:

EN 60745-1:2009 + A11:2010

EN 60745-2-1:2010

EN 55014-1:2006 + A1:2009 + A2:2011

EN 55014-2:1997 + A1:2001 + A2:2008

EN 61000-3-2:2006 + A1:2009 + A2:2009

EN 61000-3-3:2008



Winnenden, 2014-04-24

Alexander Krug / Managing Director
Upelnomocniony do zestawienia danych technicznych

Techtronic Industries GmbH
Max-Eyth-Straße 10, 71364 Winnenden, Germany

PODŁĄCZENIE DO SIECI

Urządzenia pracujące w wielu różnych miejscach, w tym poza pomieszczeniami zamkniętymi, należy podłączać poprzez ochronny (FI, RCD, PRCD) wyłącznik udarowy.

Podłączać tylko do źródła zasilania prądem zmiennym jednofazowym i wyłącznie o napięciu podanym na tabliczce znamionowej. Możliwe jest również podłączenie do gniazdka bez uziemienia, ponieważ konstrukcja odpowiada II klasie bezpieczeństwa.

Przed włożeniem wtyczki do gniazdka upewnić się, czy urządzenie jest wyłączone.

UTRZYMANIE I KONSERWACJA

Otwory wentylacyjne elektronarzędzia muszą być zawsze drożne.

Jeśli elektronarzędzia używa się głównie do wiercenia udarowego, należy regularnie oczyszczać uchwyt narzędziowy z pyłu. Trzymając elektronarzędzie uchwytem pionowo skierowane w dół, należy go całkowicie otworzyć, a następnie zamknąć. Nagromadzony pył wyleci z uchwytu. Zaleca się regularne czyszczenie szczęk zaciskowych i usuwanie wirów wiertarskich przy pomocy środka czyszczącego.

W przypadku uszkodzenia przewodu zasilającego, winien on być wymieniony przez warsztat serwisowy, aby uniknąć zagrożenia.

Używać tylko i wyłącznie wyposażenia dodatkowego Milwaukee i części zamiennych Milwaukee. Gdyby trzeba było wymienić części, które nie zostały opisane, należy skontaktować się z przedstawicielem serwisu Milwaukee (patrz wykaz adresów punktów usługowych/gwarancyjnych).



W razie potrzeby można zamówić rysunek urządzenia w rozłożeniu na części podając typ maszyny oraz sześciopozycyjny numer na tabliczce znamionowej w Punkcie Obsługi Klienta lub bezpośrednio w firmie Techtronic Industries GmbH, Max-Eyth-Straße 10, 71364 Winnenden, Germany.

SYMBOLE



UWAGA! OSTRZEŻENIE NIEBEZPIECZEŃSTWO!



Przed rozpoczęciem jakichkolwiek pracy przy urządzeniu należy wyciągnąć wtyczkę z gniazdka.



Przed uruchomieniem elektronarzędzia zapoznać się uważnie z treścią instrukcji.



Wyposażenie dodatkowe dostępne osobno.



Urządzenia elektryczne nie mogą być usuwane razem z odpadami pochodzącymi z gospodarstw domowych. Urządzenia elektryczne i elektroniczne należy gromadzić oddzielnie i w celu usuwania ich do odpadów zgodnie z wymaganiami środowiska naturalnego oddawać do przedsiębiorstwa utylizacyjnego. Proszę zasięgnąć informacji o centrach recyklingowych i punktach zbiorczych u władz lokalnych lub u wyspecjalizowanego dostawcy.



Elektronarzędzie klasy ochrony II Elektronarzędzie, w którym zabezpieczenie przed porażeniem prądowym zależy nie tylko od izolacji podstawowej, lecz również od tego, czy zostały zastosowane dodatkowe środki ochrony, takie jak: izolacja podwójna lub izolacja wzmacniona.



Znak CE



MŰSZAKI ADATOK Útvefűrógép	PD2E 22 R (110 V)	PD2E 22 R (220-240 V)	PD2E 24 R (220-240 V)
Gyártási szám	4195 91 01... ... 000001-999999	4195 71 01... ... 000001-999999	4195 96 01... ... 000001-999999
Névleges teljesítményfelvétel	800 W	850 W	1020 W
Leadott teljesítmény	430 W	460 W	540 W
Üresjárat fordulatszám, 1. Fokozat	0-1000 min ⁻¹	0-1000 min ⁻¹	0-1000 min ⁻¹
Üresjárat fordulatszám, 2. Fokozat	0-3200 min ⁻¹	0-3200 min ⁻¹	0-3200 min ⁻¹
Fordulatszám terhelés alatt max., 1. Fokozat	0-680 min ⁻¹	0-680 min ⁻¹	0-680 min ⁻¹
Fordulatszám terhelés alatt max., 2. Fokozat	0-2100 min ⁻¹	0-2100 min ⁻¹	0-2100 min ⁻¹
Ütésszám terhelés alatt max.	40 000 min ⁻¹	40 000 min ⁻¹	40 000 min ⁻¹
Statikus blokkoló mozgás *	56/30 Nm	56/30 Nm	60/33 Nm
Furat- \emptyset betonba	20 mm	20 mm	22 mm
Furat- \emptyset téglába és mészkőbe	22 mm	22 mm	24 mm
Furat- \emptyset acélba	13 mm	13 mm	16 mm
Furat- \emptyset fába	40 mm	40 mm	40 mm
Befogási tartomány	1,5-13 mm	1,5-13 mm	1,5-13 mm
Fúrótengely	1/2" x 20	1/2" x 20	1/2" x 20
Feszítőnyak- \emptyset	43 mm	43 mm	43 mm
Súly a 01/2003 EPTA-eljárás szerint.	2,8 kg	2,8 kg	2,9 kg
Zaj-/Vibráció-információ			
A köztölt értékek megfelelnek az EN 60704-1 szabványnak. A készülék munkahelyi zajszintje tipikusan:			
Hangnyomás szint (bizonytalanság K=3dB(A))	98 dB (A)	98 dB (A)	96 dB (A)
Hangteljesítmény szint (bizonytalanság K=3dB(A))	109 dB (A)	109 dB (A)	107 dB (A)
Hallásvédő eszköz használata ajánlott!			
Összesített rezgésértékek (három irány vektorális összeg az EN 60745-nek megfelelően meghatározva.			
Fúrás fémben:			
rezgésemisszió érték $a_{h,D}$	7,6 m/s ²	7,6 m/s ²	10,0 m/s ²
bizonytalanság K=	1,5 m/s ²	1,5 m/s ²	1,5 m/s ²
Útvefűrés betonban			
rezgésemisszió érték $a_{h,1D}$	17,1 m/s ²	17,1 m/s ²	17,8 m/s ²
bizonytalanság K=	1,5 m/s ²	1,5 m/s ²	1,5 m/s ²

* Az Milwaukee N 877318 szabvány szerint mérve

FIGYELMEZTETÉS

A jelen utasításokban megadott rezgésszint értéke az EN 60745-ben szabályozott mérési eljárásnak megfelelően került leérésre, és használható elektromos szerszámokkal történő összehasonlításhoz. Az érték alkalmas a rezgésterhelés előzetes megbecslésére is.

A megadott rezgésszint-érték az elektromos szerszám legfőbb alkalmazásait reprezentálja. Ha az elektromos szerszámot azonban más alkalmazásokhoz, eltérő használt szerszámokkal vagy nem elegendő karbantartással használják, a rezgésszint értéke eltérő lehet. Ez jelentősen megnövelheti a rezgésterhelést a munkavégzés teljes időtartama alatt.

A rezgésterhelés pontos megbecsléséhez azokat az időket is figyelembe kell venni, melyekben a készülék lekapcsolódik, vagy ugyan működik, azonban ténylegesen nincs használatban. Ez jelentősen csökkentheti a rezgésterhelést a munkavégzés teljes időtartama alatt.

Határozzon meg további biztonsági intézkedéseket a kezelő védelmére a rezgések hatása ellen, például: az elektromos és a használt szerszámok karbantartásával, a kezek melegen tartásával, a munkafolyamatok megszervezésével.



▲ FIGYELMEZTETÉS! Olvasson el minden biztonsági útmutatót és utasítást. A következőkben leírt előírások betartásának elmulasztása áramütésekhez, tűzhöz és/vagy súlyos testi sérülésekhez vezethet. **Kérjük a későbbi használatra gondosan őrizze meg ezeket az előírásokat.**

▲ BIZTONSÁGI ÚTMUTATÁSOK FŰRŐGÉPEKHEZ

Ütvefűráskor viseljen hallásvédőt. A zaj hatása hallásvesztést okozhat.

Használja a készülékkel együtt szállított kézfoganyitukat. A készülék fölötti ellenőrzés elvesztése sérüléseket okozhat.

A készüléket a szigetelt markolatfelületeket fogva tartsa, ha olyan munkálatokat végez, melyeknél a vágószerszám rejtejt elektromos vezetékekbe vagy saját vezetékeibe ütközhet. A vágószerszám feszültségvezető vezetékkel való érintkezésekor a készülék fém részei is feszültség alá kerülhetnek, és elektromos áramütés következhet be.

További biztonsági és munkavézési utasítások

Használjon védőfelszerelést! Ha a gépen dolgozik, mindig hordjon védőszemüveget! Javasoljuk a védőruházat, úgymint porvédő maszk, védőcipő, erős és csúszásbiztos lábbeli, sisak és hallásvédő használatát.

Munka közben a hálózati csatlakozókábelt a sérülés elkerülése érdekében a munkaterülettől, illetve a készüléktől távol kell tartani.

Nem szabad olyan anyagokat megmunkálni, amelyek egészségre veszélyesek (pl. azbesztest).

Falban, földemben, aljzatban történő fűrésznél fokozottan ügyelni kell az elektromos-, víz- és gázvezetékekre.

Biztosítsa a munkadarabot befogó szerkezettel. A nem biztosított munkadarabok súlyos sérüléseket és károkat okozhatnak.

Gyémánt fűrókorona használatokor kapcsolja ki az ütőfunkciót.

A betétszerszám elakadásakor azonnal ki kell kapcsolni a készüléket! Addig ne kapcsolja vissza a készüléket, amíg a betétszerszám elakadása fennáll; ennek során nagy ellennyomatékú visszarúgás történhet. Határozza és szüntesse meg a betétszerszám elakadásának okát a biztonsági útmutatók betartása mellett.

Ennek következők lehetnek az okai:

- a szerszám elakad a megmunkálendő munkadarabban
- a megmunkálendő anyag átszakadt
- az elektromos szerszám túlterhelése

Ne nyúljon a járó géphe.

A betétszerszám az alkalmazás során felforrósodhat.

FIGYELMEZTETÉS!! Égési sérülések veszélye

- szerszámcserekor
- a készülék lerakásakor

A munka közben keletkezett forgácsokat, szilánkokat, törmelékét, stb. csak a készülék teljes leállása után szabad a munkaterületről eltávolítani.

Mielőtt bármilyen munkához kezd a gépen, áramtalanítsa (húzza ki a konnektorból)!

RENDELTESSZERŰ HASZNÁLAT

Az ütvefűrő általánosan használható fűrészhöz és ütvefűrészhöz.

A készüléket kizárólag az alábbiakban leírtaknak megfelelően szabad használni.

CE-AZONOSSÁGI NYILATKOZAT

Egyedüli felelősséggel kijelentjük, hogy a „Műszaki Adatok” alatt leírt termék a 2011/65/EU (RoHS), 2004/108/EK, 2006/42/EK irányelvek minden releváns előírásának, ill. az alábbi harmonizált normatív dokumentumoknak megfelel:

EN 60745-1:2009 + A11:2010

EN 60745-2-1:2010

EN 55014-1:2006 + A1:2009 + A2:2011

EN 55014-2:1997 + A1:2001 + A2:2008

EN 61000-3-2:2006 + A1:2009 + A2:2009

EN 61000-3-3:2008



Winnenden, 2014-04-24

Alexander Krug / Managing Director

Műszaki dokumentáció összeállításra felhatalmazva

Techtronic Industries GmbH

Max-Eyth-Straße 10, 71364 Winnenden, Germany

HÁLÓZATI CSATLAKOZTATÁS

Szabadban a dugaljat hibaáram-védőkapcsolóval kell ellátni. Az elektromos készülékek üzembehelyezési útmutatása ezt kötelezően előírja (FI, RCD, PRCD). Ügyeljen erre az elektromos kéziszerszámok használatakor is.

A készüléket csak egyfázisú váltóáramra és a teljesítménytáblán megadott hálózati feszültségre csatlakoztassa. A csatlakoztatás védőérintkező nélküli dugaszolóaljzatokra is lehetséges, mivel a készülék felépítése II. védettségi osztályú.

Mielőtt áram alá helyezi a gépet, győződjön meg róla, hogy a gép ki van kapcsolva.

KARBANTARTÁS

A készülék szellőzőnyílásait mindig tisztán kell tartani.

Gyakori ütvefűrés esetén a tokmányt időről-időre meg kell tisztítani.

A tisztításhoz fordítsa a készüléket tokmánnyal lefelé és a tokmányt teljes befogási tartományban nyissa, illetve zárja. Az összegyűlt por kihullik a tokmányból. Tisztítóspray rendszeres használata a feszítőpofák és furataik tisztításához ajánlott.

Ha a hálózati csatlakozóvezeték megsérült, akkor a veszélyeztetések elkerülésére azt ügyfélszolgálati hely által kell kicseréltetni.

Csak Milwaukee tartozékokat és Milwaukee pótkatrészeket szabad használni. Az olyan elemeket, melyek cseréje nincs ismertetve, cseréltesse ki Milwaukee szervizzel (lásd Garancia/Ügyfélszolgálat címei kiadványt).

Igény esetén a készülékről robbantott rajz kérhető a géptípus és a teljesítménycímként található hatjegyű szám megadásával az Ön vevőszolgálatánál, vagy közvetlenül a Techtronic Industries GmbH-től a Max-Eyth-Straße 10, 71364 Winnenden, Németország címen.



FIGYELEM! FIGYELMEZTETÉS! VESZÉLY!



Mielőtt bármilyen munkához kezd a gépen, áramtalanítsa (húzza ki a konnektorból)!



Kérjük alaposan olvassa el a tájékoztatót mielőtt a gépet használja.



Azokat a tartozékokat, amelyek gyárilag nincsenek a készülékhez mellékelve, külön lehet megrendelni.



Az elektromos eszközöket nem szabad a háztartási hulladékkal együtt ártalmatlanítani. Az elektromos és elektronikus eszközöket szelektíven kell gyűjteni, és azokat környezetbarát ártalmatlanítás céljából hulladékhasznosító üzemben kell leadni. A helyi hatóságoknál vagy szakkereskedőjénél tájékozódjon a hulladékudvarokról és gyűjtőhelyekről.



II. védelmi osztályú elektromos szerszám. Olyan elektromos szerszám, amelynél az elektromos áramütés elleni védelem nem csak az alapszigeteléstől függ, hanem amelyben kiegészítő védőintézkedéseket, mint pl. kettős szigetelés vagy megerősített szigetelés, alkalmaznak.



CE-jelölés



TEHNIČNI PODATKI Udarni vrtnalnik	PD2E 22 R (110 V)	PD2E 22 R (220-240 V)	PD2E 24 R (220-240 V)
Proizvodna številka	4195 91 01... ... 000001-999999	4195 71 01... ... 000001-999999	4195 96 01... ... 000001-999999
Nazivna sprejemna moč	800 W	850 W	1020 W
Oddajna zmogljivost	430 W	460 W	540 W
Število vrtljajev v prostem teku, 1. prestava	0-1000 min ⁻¹	0-1000 min ⁻¹	0-1000 min ⁻¹
Število vrtljajev v prostem teku, 2. prestava	0-3200 min ⁻¹	0-3200 min ⁻¹	0-3200 min ⁻¹
Število vrtljajev pri obremenitvi maks., 1. prestava	0-680 min ⁻¹	0-680 min ⁻¹	0-680 min ⁻¹
Število vrtljajev pri obremenitvi maks., 2. prestava	0-2100 min ⁻¹	0-2100 min ⁻¹	0-2100 min ⁻¹
bremensko število udarcev maks.	40 000 min ⁻¹	40 000 min ⁻¹	40 000 min ⁻¹
Statični blokirni moment *	56/30 Nm	56/30 Nm	60/33 Nm
Vrtnali \varnothing v betonu	20 mm	20 mm	22 mm
Vrtnali \varnothing v opeki in apnenem peščencu	22 mm	22 mm	24 mm
Vrtnali \varnothing v jeklu	13 mm	13 mm	16 mm
Vrtnali \varnothing v lesu	40 mm	40 mm	40 mm
Napenjalno področje vpenjalne glave	1,5-13 mm	1,5-13 mm	1,5-13 mm
Vrtnalo vreteno	1/2" x 20	1/2" x 20	1/2" x 20
Vpenjalni vrat \varnothing	43 mm	43 mm	43 mm
Teža po EPTA-proceduri 01/2003	2,8 kg	2,8 kg	2,9 kg
Informacije o hrupnosti/vibracijah			
Vrednosti merjenja ugotovljene ustrezno z EN 60 745. Raven hrupnosti naprave ovrednotena z A, naša tipično:			
Nivo zvočnega tlaka (Nevarnost K=3dB(A))	98 dB (A)	98 dB (A)	96 dB (A)
Višina zvočnega tlaka (Nevarnost K=3dB(A))	109 dB (A)	109 dB (A)	107 dB (A)
Nosite zaščito za sluh!			
Skupna vibracijska vrednost (Vektorska vsota treh smerdoločena ustrezno EN 60745.			
Vrtanje v kovine:			
Vibracijska vrednost emisij $a_{h,d}$	7,6 m/s ²	7,6 m/s ²	10,0 m/s ²
Nevarnost K=	1,5 m/s ²	1,5 m/s ²	1,5 m/s ²
Udarno vrtanje v beton			
Vibracijska vrednost emisij $a_{h,d}$	17,1 m/s ²	17,1 m/s ²	17,8 m/s ²
Nevarnost K=	1,5 m/s ²	1,5 m/s ²	1,5 m/s ²

* Izmerjeno po Milwaukee normi N 877318

OPOZORILO

V teh navodilih navedena raven tresljajev je bila izmerjena po EN60745 normiranem merilnem postopku in lahko služi medsebojni primerjavi električnih orodij. Prav tako je primeren za predhodno oceno obremenitve s tresljaji.

Navedena raven tresljajev navaja najpomembnejše vrste rabe električnega orodja. Kadar se električno orodje uporablja za drugačne namene, z odstopajočimi orodji ali pa z nezadostnim vzdrževanjem, lahko raven tresljajev tudi odstopa. Le to lahko čez celoten delovni čas znatno zviša obremenitev s tresenjem.

Za natančno oceno obremenitve s tresljaji naj bi se upošteval tudi čas v katerem je naprava izklopljena ali sicer teče, vendar dejansko ni v rabi. Le to lahko obremenitev s tresljaji čez celoten delovni čas znatno zmanjša.

Za zaščito upravljalca pred učinkom tresljajev uvedite dodatne zaščitne ukrepe npr.: Vzdrževanje električnega orodja in orodja, delo s toplimi rokami, organizacija delovnih potekov.

⚠ OPOZORILO! Preberite vsa varnostna opozorila in navodila. Napake zaradi neupoštevanja spodaj navedenih opozoril in napotil lahko povzročijo električni udar, požar in/ali težke telesne poškodbe.

Vsa opozorila in napotila shranite, ker jih boste v prihodnje še potrebovali.

⚠ BEZPEČNOSTNE POKYNY PRE VRTAČKY

Pri udarnemu vrtenju nosite slušnik. Hrup lahko povzroči izgubo sluha.

Uporabite dodatne ročaje, ki so dobavljeni skupaj z napravo. Izguba kontrole lahko povzroči poškodbe.

Kadar izvajate dela pri katerih lahko orodje zadane prikrito električno napeljavo ali lasten vodnik, je napravo potrebno držati za izolirane prijemalne površine. Stik rezalnega orodja z napetostnim vodnikom napeljave lahko privede kovinske dele naprave pod napetost in vodi do električnega udara.

Nadaljna varnostna in delovna opozorila

Uporabite zaščitno opremo. Pri delu s strojem vedno nosite zaščitna očala. Priporočajo se zaščitna oblačila, kot npr. maska za zaščito proti prahu, zaščitne rokavice, trdno in neдрсеče obuvalo, čelada in zaščita za sluh.

Vedno pazite, da se priključni kabel ne približa področju delovanja stroja. Kabel vedno vodite za strojem.

Obdelava materialov, iz katerih izhaja ogroženost zdravja (npr. azbest), ni dovoljena.

Pri delih na steni, stropu ali v tleh pazite na električne kable, plinske in vodne napeljave.

Obdelovanec zavarujte z vpenjalno pripravo. Nezavarovani obdelovanci lahko povzročijo težke poškodbe in okvare.

Pri delu z diamantnimi vrtnimi kronami izklopite udarno delovanje.

V primeru blokade orodja napravo takoj izklopite! Naprave ponovno ne vklaplajte dokler je orodje blokirano; pri tem bi lahko prišlo do povratnega udara z velikim reakcijskim momentom. Ugotovite in odpravite vzroke blokade orodja ob upoštevanju varnostnih navodil.

Možni razlogi so lahko:

- Zagozditev v obdelovancu
- prežganje obdelovanega materiala
- Preobremenitev električnega orodja

Ne segajte v stroj v teku.

Orodje lahko med uporabo postane vroče.

OPOZORILO!! Nevarnost opeklin

- pri menjavi orodja
- pri odlaganju naprave

Trske ali iveri se pri tekočem stroju ne smejo odstranjovati.

Pred vsemi deli na napravi izvlcite vtičak iz vtičnice.

UPORABA V SKLADU Z NAMEMBNOSTJO

Vrtno kladivo je univerzalno uporabno za vrtnanje in udarno vrtnanje.

Ta naprava se sme uporabiti samo v skladu z namembnostjo uporabiti samo za navede namene.

CE-IZJAVA O KONFORMNOSTI

V lastni odgovornosti izjavljamo, da se pod „Tehnični podatki“ opisan proizvod ujema z vsemi relevantnimi predpisi smernice 2011/65/EU (RoHS), 2004/108/ES, 2006/42/ES in s sledečimi harmoniziranimi normativnimi dokumenti:

EN 60745-1:2009 + A11:2010

EN 60745-2-1:2010

EN 55014-1:2006 + A1:2009 + A2:2011

EN 55014-2:1997 + A1:2001 + A2:2008

EN 61000-3-2:2006 + A1:2009 + A2:2009

EN 61000-3-3:2008



Winnenden, 2014-04-24

Alexander Krug / Managing Director

Pooblaščen za izdelavo spisov tehnične dokumentacije.

Techtronic Industries GmbH

Max-Eyth-Straße 10, 71364 Winnenden, Germany

OMREŽNI PRIKLJUČEK

Vtičnice v zunanjem področju morajo biti opremljene z zaščitnimi stikali za okvarni tok (FI, RCD, PRCD). To zahteva instalacijski predpis za vašo električno napravo. Prosimo, da to pri uporabi naše naprave upoštevate.

Priključite samo na enofazni izmenični tok in samo na omrežno napetost, ki je označena na tipski ploščici. Priključitev je možna tudi na vtičnice brez zaščitnega kontakta, ker obstaja nadgradnja zaščitnega razreda.

Napravo priključite samo v vtičnico samo v izklopljenem stanju.

VZDRŽEVANJE

Pazite na to, da so prežračevalne reže stroja vedno čiste.

Pri pogostem obratovanju udarnega vrtnanja z vpenjalne glave redno očistite prah. V ta namen vrtno vpenjalno glavo držite navpično navzdol ter odprite in zaprite vpenjalno glavo preko celotnega napenjalnega področja. Prah, ki se je nabral, tako pade iz vrtnal vpenjalne glave. Priporočajo se redna uporaba čistilnega spreja na napenjalnih čeljustih in na vrtnah napenjalnih čeljusti.

V kolikor je vodnik omrežnega priključka poškodovan, je le tega v izogib ogroženosti, potrebno nadomestiti s strani servisne službe.

Uporabljajte samo Milwaukee pribor in Milwaukee nadomestne dele. Poskrbite, da sestavne dele, katerih zamenjava ni opisana, zamenjajo v Milwaukee servisni službi (upoštevajte brošuro Garancija aslovi servisnih služb).

Po potrebi je mogoče pri vašem servisnem mestu ali neposredno pri Techtronic Industries GmbH, Max-Eyth-Straße 10, 71364 Winnenden, Germany, naročiti eksplozijsko risbo naprave ob navedbi tipa stroja in na tablici navedene šestmestne številke.



SIMBOLI



POZOR! OPOZORILO! NEVARNO!



Pred vsemi deli na napravi izvlomite vtikač iz vtičnice.



Prosimo, da pred uporabo pozorno preberete to navodilo za uporabo.



Oprema – ni vsebovana v obsegu dobave, priporočeno dopolnilo iz programa opreme.



Električnih naprav ni dovoljeno odstranjevati skupaj z gospodinjskimi odpadki. Električne in elektronske naprave je potrebno zbirati ločeno in za okolju prijazno odstranitev, oddati podjetju za reciklažo. Pri krajevnem uradu ali vašem strokovnem prodajalcu se pozanimajte glede reciklažnih dvorišč in zbirnih mest.



Električno orodje zaščitnega razreda II Električno orodje, pri katerem zaščita pred električnim udarom ni odvisna zgolj od osnovne izolacije, temveč tudi od tega, da so uporabljeni dodatni ukrepi, kot dvojna ali okrepljena izolacija.



CE-znak



TEHNIČKI PODACI Udarna bušilica	PD2E 22 R (110 V)	PD2E 22 R (220-240 V)	PD2E 24 R (220-240 V)
Broj proizvodnje	4195 91 01... ... 000001-999999	4195 71 01... ... 000001-999999	4195 96 01... ... 000001-999999
Snaga nominalnog prijema	800 W	850 W	1020 W
Predajni učinak	430 W	460 W	540 W
Broj okretaja praznog hoda, 1. Brzina	0-1000 min ⁻¹	0-1000 min ⁻¹	0-1000 min ⁻¹
Broj okretaja praznog hoda, 2. Brzina	0-3200 min ⁻¹	0-3200 min ⁻¹	0-3200 min ⁻¹
Broj okretaja pod opterećenjem, 1. Brzina	0-680 min ⁻¹	0-680 min ⁻¹	0-680 min ⁻¹
Broj okretaja pod opterećenjem, 2. Brzina	0-2100 min ⁻¹	0-2100 min ⁻¹	0-2100 min ⁻¹
Maksimalan broj udaraca pod opterećenjem	40 000 min ⁻¹	40 000 min ⁻¹	40 000 min ⁻¹
Statični moment blokiranja *	56/30 Nm	56/30 Nm	60/33 Nm
Bušenje- \emptyset u beton	20 mm	20 mm	22 mm
Bušenje- \emptyset u opeku i silikatnu opeku	22 mm	22 mm	24 mm
Bušenje- \emptyset u čelik	13 mm	13 mm	16 mm
Bušenje- \emptyset u drvo	40 mm	40 mm	40 mm
Područje stezne glave za stezanje svrdla	1,5-13 mm	1,5-13 mm	1,5-13 mm
Vreteno za bušenje	1/2" x 20	1/2" x 20	1/2" x 20
Stezno grlo- \emptyset	43 mm	43 mm	43 mm
Težina po EPTA-proceduri 01/2003	2,8 kg	2,8 kg	2,9 kg
Informacije o buci/vibracijama			
Mjerne vrijednosti utvrđene odgovarajuće EN 60 745. A-ocijenjeni nivo buke aparata iznosi tipično:			
nivo pritiska zvuka (Nesigurnost K=3dB(A))	98 dB (A)	98 dB (A)	96 dB (A)
nivo učinka zvuka (Nesigurnost K=3dB(A))	109 dB (A)	109 dB (A)	107 dB (A)
Nositi zaštitu sluha!			
Ukupne vrijednosti vibracije (Vektor suma tri smjersu odmjerene odgovarajuće EN 60745)			
Bušenje metala:			
Vrijednost emisije vibracije $a_{h,D}$	7,6 m/s ²	7,6 m/s ²	10,0 m/s ²
Nesigurnost K=	1,5 m/s ²	1,5 m/s ²	1,5 m/s ²
Udarno bušenje u betonu			
Vrijednost emisije vibracije $a_{h,10}$	17,1 m/s ²	17,1 m/s ²	17,8 m/s ²
Nesigurnost K=	1,5 m/s ²	1,5 m/s ²	1,5 m/s ²

* Mjereno po Milwaukee normi N 877318

UPOZORENIE

Ova u ovim uputama navedena razina titranja je bila izmjerena odgovarajuće jednom u EN 60745 normiranom mjernom postupku i može se upotrijebiti za usporedbu električnog alata međusobno. Ona je prikladna i za privremenu procjenu titrajnog opterećenja.

Navedena razina titranja reprezentira glavne primjene električnog alata. Ukoliko se električni alat upotrebljava u druge svrhe sa odstupajućim primijenjenim alatima ili nedovoljnim održavanjem, onda razina titranja može odstupati. To može titrajno opterećenje kroz cijeli period rada bitno povisiti.

Za točnu procjenu titrajnog opterećenja se moraju uzeti u obzir i vremena u kojima je uređaj isključen ili u kojima doduše radi, ali nije i stvarno u upotrebi. To može titrajno opterećenje bitno smanjiti za vrijeme cijelog radnog perioda.

Utvrđite dodatne sigurnosne mjere za zaštitu poslužioca protiv djelovanja titranja kao npr.: Održavanje električnih alata i upotrijebljenih alata, održavanje topline ruku, organizacija i radne postupke.



Hrv

⚠ UPOZORENIE! Pročitajte sigurnosne upute i uputnice.

Ako se ne bi poštvale napomene o sigurnosti i upute to bi moglo uzrokovati strujni udar, požar i/ili teške ozljede.

Sačuvajte sve napomene o sigurnosti i upute za buduću primjenu.

⚠ SIGURNOSNE UPUTE ZA BUŠILICE

Kod urednog bušenja nosite zaštitu za sluh. Djelovanje buke može uzrokovati gubitak sluha.

Koristite dodatne drške koje su isporučene sa aparatom. Gubitak kontrole može prouzročiti povrede.

Držite spravu na izoliranim držačkim površinama kada izvodite radove kod kojih rezački alat može pogoditi skrivene vodove struje ili osobni kabel. Kontakt rezačkog alata sa vodovima koji sprovode naponom može metalne dijelove sprave dovesti pod napon i tako dovesti do električnog udara.

Ostale sigurnosne i radne upute

Upotrebljavati zaštitnu opremu. Kod radova sa strojem uvijek nositi zaštitne naočale. Preporučuje se zaštitna odjeća, kao zaštitna maska protiv prašine, zaštitne rukavice, čvrste i protiv klizanja sigurne cipele, šljem i zaštitu sluha.

Priključni kabel uvijek držati udaljenim sa područja djelovanja. Kabel uvijek voditi od stroja prema nazad.

Ne smiju se obrađivati nikakvi materijali, od kojih prijeto opasnost po zdravlje (npr. azbest).

Kod radova na zidu, stroju ili podu paziti na električne kablove kao i vodove plina i vode.

Osigurajte vaš izradak jednim steznim uredjenjem. Neosigurani izradci mogu prouzročiti teške povrede i oštećenja.

Kod radova sa dijamatnim kriticama za bušenje isključiti udarni mehanizam.

Kod blokiranja alata koji se upotrebljava uređaj molimo odmah isključiti! Uređaj nemojte ponovno uključiti za vrijeme dok je alat koji se upotrebljava blokiran; time može doći do povratnog udara sa visokim reakcijskim momentom. Pronadite i otklonite uzrok blokiranja alata koji se upotrebljava uz poštivanje sigurnosnih uputa.

Mogući uzroci tome mogu biti:

- Izobličavanje u izratku koji se obrađuje
- Probijanje materijala koji se obrađuje
- Preopterećenje električnog alata

Nemojte sezati u stroj koji radi.

Upotrebjeni alat se može za vrijeme korištenja zagrijati.

UPOZORENIE!! Opasnost od opekotina

- kod promjene alata
- kod odlaganja uređaja

Piljevina ili iverje se za vrijeme rada stroja ne smiju odstranjivati.

Prije svih radova na stroju izvruci utikač iz utičnice.

PROPIISNA UPOTREBA

Udarni bušač je univerzalno upotrebljiv za bušenje i udarno bušenje.

Ovaj aparat se smije upotrijebiti samo u određene svrhe kao što je navedeno.

CE-IZJAVA KONFORMNOSTI

Izjavljujemo na osobnu odgovornost, da je proizvod opisan pod „Tehnički podaci“, sukladan sa svim relevantnim propisima smjernice 2011/65/EU (RoHS), 2004/108/EC, 2006/42/EC i sa sljedećim harmoniziranim normativnim dokumentima:

EN 60745-1:2009 + A11:2010

EN 60745-2-1:2010

EN 55014-1:2006 + A1:2009 + A2:2011

EN 55014-2:1997 + A1:2001 + A2:2008

EN 61000-3-2:2006 + A1:2009 + A2:2009

EN 61000-3-3:2008



Winnenden, 2014-04-24

Alexander Krug / Managing Director

Ovlašten za formiranje tehničke dokumentacije.

Techtronic Industries GmbH

Max-Eyth-Straße 10, 71364 Winnenden, Germany

PRIKLJUČAK NA MREŽU

Utičnice na vanjskom području moraju biti opremljene zaštitnim prekidačima za pogrešnu struju (FI, RCD, PRCD). To zahtjeva instalacijski propis za električne uređaje. Molimo da ovo poštujuete prilikom upotrebe našeg aparata.

Priključiti samo na jednofaznu naizmjeničnu struju i samo na napon struje, naveden na pločici snage. Priključak je moguć i na utičnice bez zaštitnog kontakta, jer postoji dogradnja zaštitne klase II.

Uređaj priključiti na utičnicu samo kada je isključen.

ODRŽAVANJE

Proreze za prozračivanje stroja uvijek držati čistima.

Kod čestog pogona bušenja udaranjem stezna glava se mora redovno osloboditi od prašine. K tome stroj sa steznom glavom držati okomito na dolje i steznu glavu preko cijelog područja stezanja otvoriti i zatvoriti. Nakupljena prašina tako ispada iz stezne glave. Redovna primjena sprava za čišćenje na steznim čeljustima i bušenjima steznih čeljusti se preporučuje.

Ako je mrežni priključni vod oštećen, ovaj se mora zamijeniti od strane servisa, kako bi se izbjegla ugrožavanja.

Primijeniti samo Milwaukee opremu i Milwaukee rezervne dijelove. Sastavne dijelove, čija zamjena nije opisana, dati zamijeniti kod jedne od Milwaukee servisnih službi (poštivati brošuru Garancija/Adrese servisa).

Po potrebi se crtež pojedinih dijelova aparata uz navođenje podatka o tipu stroja i šestznamenastog broja na pločici snage može zatražiti kod vašeg servisa ili direktno kod Techtronic Industries GmbH, Max-Eyth-Straße 10, 71364 Winnenden, Njemačka.

SIMBOLI



PAŽNJA! UPOZORENIE! OPASNOST!



Prije svih radova na stroju izvući utikač iz utičnice.



Molimo da pažljivo pročitate uputu o upotrebi prije puštanja u rad.



Oprema - u opsegu isporuke nije sadržana, preporučena dopuna iz promgrama opreme.



Električni uređaji se ne smiju zbrinjavati skupa sa kućnim smećem. Električni uređaji se moraju skupljati odvojeno i predati na zbrinjavanje primjereno okolišu jednom od pogona za iskorišćavanje. Raspitajte se kod mjesnih vlasti ili kod stručnog trgovca u svezi gospodarstva za recikliranje i mjesta skupljanja.



Električni alat zaštitne kategorije II Električni alat, čija zaštita od jednog električnog udara ne zavisi samo od osnovne izolacije, već i od toga, da se primijene dodatne zaštitne mjere, kao što su dvostruka izolacija ili pojačana izolacija.



Oznaka-CE



TEHNISKIE DATI Sitamais urbis	PD2E 22 R (110 V)	PD2E 22 R (220-240 V)	PD2E 24 R (220-240 V)
Izlaides numurs	4195 91 01... ... 000001-999999	4195 71 01... ... 000001-999999	4195 96 01... ... 000001-999999
Nominālā atdotā jauda	800 W	850 W	1020 W
Cietkoks	430 W	460 W	540 W
Apgriezieni tukšgaitā, 1. ātrums	0-1000 min ⁻¹	0-1000 min ⁻¹	0-1000 min ⁻¹
Apgriezieni tukšgaitā, 2. ātrums	0-3200 min ⁻¹	0-3200 min ⁻¹	0-3200 min ⁻¹
maks. apgriezienu skaits ar slodzi, 1. ātrums	0-680 min ⁻¹	0-680 min ⁻¹	0-680 min ⁻¹
maks. apgriezienu skaits ar slodzi, 2. ātrums	0-2100 min ⁻¹	0-2100 min ⁻¹	0-2100 min ⁻¹
maks. sitienu biežums ar slodzi	40 000 min ⁻¹	40 000 min ⁻¹	40 000 min ⁻¹
statiskais bloķēšanas moments *	56/30 Nm	56/30 Nm	60/33 Nm
Urbšanas diametrs betonā	20 mm	20 mm	22 mm
Urbšanas diametrs kriegēļos un kaļķsmilšakmeņi	22 mm	22 mm	24 mm
Urbšanas diametrs tēraudā	13 mm	13 mm	16 mm
Urbšanas diametrs kokā	40 mm	40 mm	40 mm
Urbja stiprinājuma amplitūda	1,5-13 mm	1,5-13 mm	1,5-13 mm
Urbja vārpsta	1/2" x 20	1/2" x 20	1/2" x 20
Kakla diametrs	43 mm	43 mm	43 mm
Svars atbilstoši EPTA -Procedure 01/2003	2,8 kg	2,8 kg	2,9 kg
Trokšņu un vibrāciju informācija			
Vērtības, kas noteiktas saskaņā ar EN 60 745. A novērtētās aparatūras skaņas līmenis ir:			
trokšņa spiediena līmenis (Nedrošība K=3dB(A)) trokšņa jaudas līmenis (Nedrošība K=3dB(A)) Nēsāt trokšņa slāpētāju!	98 dB (A) 109 dB (A)	98 dB (A) 109 dB (A)	96 dB (A) 107 dB (A)
Svārstību kopējā vērtība (Trīs virzienu vektoru summtiek noteikta atbilstoši EN 60745.			
Metāla urbis: svārstību emisijas vērtība a _{h,d} Nedrošība K=	7,6 m/s ² 1,5 m/s ²	7,6 m/s ² 1,5 m/s ²	10,0 m/s ² 1,5 m/s ²
Betona elektriskais urbis svārstību emisijas vērtība a _{h,10} Nedrošība K=	17,1 m/s ² 1,5 m/s ²	17,1 m/s ² 1,5 m/s ²	17,8 m/s ² 1,5 m/s ²

* Mērīts saskaņā ar firmas Milwaukee normu N 877318

UZMANĪBU

Instrukcijā norādītā svārstību robežvērtība ir izmērīta mērījumu procesā, kas veikts atbilstoši standartam EN 60745, un to var izmantot elektroinstrumentu savstarpējai salīdzināšanai. Tā ir piemērota arī svārstību noslogojuma pagaidu izvērtēšanai. Norādītā svārstību robežvērtība ir reprezentatīva elektroinstrumenta pamata pielietojuma jomām. Tomēr, ja elektroinstrumenti tiek pielietoti citās jomās, papildus izmantojot neatbilstošus elektroinstrumentus vai pēc nepietiekamas tehniskās apkopes, tad svārstību robežvērtība var atšķirties. Tas var ievērojami palielināt svārstību noslogojumu visa darba laikā. Precīzai svārstību noslogojuma noteikšanai, ir jāņem vērā arī laiks, kad ierces ir izslēgta vai arī ir ieslēgta, tomēr faktiski netiek lietota. Tas var ievērojami samazināt svārstību noslogojumu visa darba laikā. Integriējiet papildus drošības pasākumus pret svārstību ietekmi lietotājam, piemēram: elektroinstrumentu un darba instrumentu tehniskā apkope, roku siltuma uzturēšana, darba procesu organizācija.



UZMANĪBU! Izlasiet visu drošības instrukciju un lietošanas pamācību klāt. Seit sniegto drošības noteikumu un norādījumu neievērošana var izraisīt aizdegšanos un būt par cēloni elektriskajam triecienam vai nopietnam savainojumam. **Pēc izlasīšanas uzglabājiet šos noteikumus turpmākai izmantošanai.**



DROŠĪBAS NOTEIKUMI URBJMAŠĪNĀM

Lietojiet dzirdes aizsargu, izmantojot āmururbi. Trokšņa iedarbība var izraisīt dzirdes zudumu.

Lietojiet instrumentam pievienotos papildus rokturus. Zaudējot kontroli, var gūt ievainojumus.

Lerīci turiet aiz izolētiem rokturiem, ja veicat darbus, kuros griešanas darbiem izmantojamais instruments var skart paslēptus elektrovadus vai pats savu kabeli. Šī instrumenta saskare ar strāvu vadīšiem kabeļiem var radīt spriegumu arī ierīces metāliskajās daļās un var izraisīt elektrisko triecienu.

Citas drošības un darba instrukcijas

Jāizmanto aizsargapriekojums. Strādājot ar mašīnu, vienmēr jānēsā aizsargbrilles. Ieteicams nēsāt aizsargapģērbu, kā piemēram, aizsargmasku, aizsargcimdus, kurpes no stingra un neslīdīga materiāla, ķiveri un ausu aizsargus.

Pievienojuma kabeli vienmēr turēt atstaus no mašīnas darbības lauka. Kabelim vienmēr jāatrodas aiz mašīnas.

Nedrīkst apstrādāt materiālus, kas rada draudus veselībai (piemēram, azbestu).

Veicot darbus sienā, griestu un grīdas apvidū, vajag uzmanīties, lai nesabojātu elektriskos, gāzes un ūdens vadus.

Fiksējiet apstrādājamo materiālu ar fiksācijas aprīkojumu. Nostiprināti materiāli var izraisīt smagus savainojumus un bojājumus.

Strādājot ar dimanta kroņurbi, vajag izslēgt perforācijas darbību.

Ja izmantojamais darba rīks tiek bloķēts, nekavējoties izslēgt ierīci! Neieslēdziet ierīci, kamēr izmantojamais darba rīks ir bloķēts; var rasties atsitieni ar augstu griezes momentu. Noskaidrojiet un novērsiet izmantojamā darba rīka bloķēšanas iemeslu, ievērojot visas drošības norādes.

Iespējamie iemesli:

- iesprūdis apstrādājamajā materiālā
- apstrādājamo materiāls ir caursītojis
- elektroinstruments ir pārslogots

Ieslēgtai ierīcei nepieskarties.

Izmantojamais darba rīks darba gaitā var stipri sakarst.

- UZMANĪBU!!** Bīstamība apdedzināties
- veicot darba rīka nomainīšanu
 - noliekot iekārtu

Skaidas un atlūzas nedrīkst ņemt ārā, kamēr mašīna darbojas.

Pirms instrumentam veikt jebkāda veida apkopes darbus, kontaktārkā jāizvelk no kontaktligzdas.

NOTEIKUMIEM ATBILSTOŠS IZMANTOJUMS

Triecienurbjamašīna ir universāli izmantojama urbšanai un urbšanai ar perforāciju.

Šo instrumentu drīkst izmantot tikai saskaņā ar minētajiem lietošanas noteikumiem.

ATBILSTĪBA CE NORMĀM

Mēs apliecinām, ka produkts, kura tehniskie parametri aprakstīti „tehnisko datu lapā”, pilnībā atbilst prasībām saskaņā ar direktīvām 2011/65/EU (RoHS), 2004/108/EK, 2006/42/EK un attiecīgajiem harmonizētajiem normatīvajiem dokumentiem:

EN 60745-1:2009 + A11:2010
EN 60745-2-1:2010
EN 55014-1:2006 + A1:2009 + A2:2011
EN 55014-2:1997 + A1:2001 + A2:2008
EN 61000-3-2:2006 + A1:2009 + A2:2009
EN 61000-3-3:2008



Winnenden, 2014-04-24

Alexander Krug / Managing Director
Pilnvarotais tehniskās dokumentācijas sastādītājs.

Techtronic Industries GmbH
Max-Eyth-Straße 10, 71364 Winnenden, Germany

TĪKLA PIESLĒGUMS

Kontaktligzdām, kas atrodas ārpus telpām jābūt aprīkotām ar automātiskiem drošinātājslēdzīem, kas nostrādā, ja strāvas plūsmā radušies (FI, RCD, PRCD) bojājumi. To pieprasa jūsu elektroiekārtas instalācijas noteikumi. Lūdzu, to ņemt vērā, izmantojot mūsu instrumentus.

Pieslēgt tikai vienpola mainstrāvas tīklam un tikai spriegumam, kas norādīts uz jaudas paneļa. Pieslēgums iespējams arī kontaktligzdām bez aizsargkontaktiem, jo runa ir par uzbūvi, kas atbilst II. aizsargklasei.

Instrumentu pieslēgt kontaktligzdai tikai izslēgtā stāvoklī.

APKOPE

Vajag vienmēr uzmanīti, lai būtu tīras dzesēšanas atveres.

Ja bieži tiek izmantota perforācijas darbība, tad urbja stiprinājums ir regulāri jāattīra no putekļiem. Šim nolūkam mašīna jātur ar stiprinājumu uz leju un stiprinājums maksimāli jāatskrūvē un jāizskrūvē. Tādējādi putekļi, kas sakrājušies tajā, var iznākt ārā. Ieteicams regulāri izmantot tīrītāju, lai iztīrītu

Ja šīs iekārtas barošanas vads ir bojāts, to drīkst nomainīt tikai ražotāja noteiktajā remonta darbnīcā, lai izvairītos no bīstamām situācijām.

Izmantojiet tikai firmu Milwaukee piederumus un firmas Milwaukee rezerves daļas. Lieciet nomainīt detaļas, kuru nomaīņa nav aprakstīta, kādā no firmu Milwaukee klientu apkalpošanas servisiem. (Skat. brošūru „Garantija/klientu apkalpošanas serviss“.)

Pēc pieprasījuma, Jūsu Klientu apkalpošanas centrā vai pie Technotronic Industries GmbH, Max-Eyth-Straße 10, 71364 Winnenden, Vācijā, ir iespējams saņemt iekārtas montāžas rasejumu, iepriekš norādot iekārtas modeli un sērijas numuru, kas atrodas uz datu plāksnītes un sastāv no sešiem simboliem.



SIMBOLI



UZMANĪBU! BĪSTAMI!



Pirms instrumentam veikt jebkāda veida apkopes darbus, kontaktakša jāizvelk no kontaktligzdas.



Pirms sākt lietot instrumentu, lūdzu, izlasiet lietošanas pamācību.



Piederumi - standartaprikojumā neietvertās, bet ieteicamās papildus komplektācijas detaļas no piederumu programmas.



Elektroiekārtas nedrīkst izmest kopā ar sadzīves atkritumiem. Elektriskās un elektroniskās iekārtas ir jāsavāc atsevišķi un jānodod pārstrādes uzņēmumam, kas no tām atbrīvosies dabai draudzīgā veidā. Meklējiet otrreizējās pārstrādes poligonus un savākšanas punktus vietējās pārvaldes iestādēs vai pie preces pārdevēja.



II aizsardzības klases elektroinstrumenti Elektroinstrumenti, kuram aizsardzība pret elektrisko triecienu ir atkarīga ne tikai no pamata izolācijas, bet arī no tā, ka tiek piemēroti papildu aizsardzības pasākumi, piemēram, dubultā izolācija vai pastiprināta izolācija.



CE marķējums



TECHNINIAI DUOMENYS Smūginis gręžtuvas	PD2E 22 R (110 V)	PD2E 22 R (220-240 V)	PD2E 24 R (220-240 V)
Produkto numeris	4195 91 01... ... 000001-999999	4195 71 01... ... 000001-999999	4195 96 01... ... 000001-999999
Vardinė imamoji galia	800 W	850 W	1020 W
Išėjimo galia	430 W	460 W	540 W
Sūkių skaičius laisva eiga, 1. pavara	0-1000 min ⁻¹	0-1000 min ⁻¹	0-1000 min ⁻¹
Sūkių skaičius laisva eiga, 2. pavara	0-3200 min ⁻¹	0-3200 min ⁻¹	0-3200 min ⁻¹
Sūkių skaičius su apkrova maks., 1. pavara	0-680 min ⁻¹	0-680 min ⁻¹	0-680 min ⁻¹
Sūkių skaičius su apkrova maks., 2. pavara	0-2100 min ⁻¹	0-2100 min ⁻¹	0-2100 min ⁻¹
Maks. smūgių skaičius su apkrova	40 000 min ⁻¹	40 000 min ⁻¹	40 000 min ⁻¹
Statinis blokavimo momentas *	56/30 Nm	56/30 Nm	60/33 Nm
Gręžimo ø betone	20 mm	20 mm	22 mm
Gręžimo ø galvutė degtose ir silikatinėse plytose	22 mm	22 mm	24 mm
Gręžimo ø pliene	13 mm	13 mm	16 mm
Gręžimo ø medienoje	40 mm	40 mm	40 mm
Grąžto patrono veržimo diapazonas	1,5-13 mm	1,5-13 mm	1,5-13 mm
Grąžto suklys	1/2" x 20	1/2" x 20	1/2" x 20
Įveržimo ašies ø	43 mm	43 mm	43 mm
Prietaiso svoris įvertintas pagal EPTA 2003/01 tyrimų metodiką.	2,8 kg	2,8 kg	2,9 kg
Informacija apie triukšmą/vibraciją			
Vertės matuotos pagal EN 60 745. Įvertintas A įrenginio keliamo triukšmo lygis dažniausiai sudaro:			
Garso slėgio lygis (Paklaida K=3dB(A))	98 dB (A)	98 dB (A)	96 dB (A)
Garso galios lygis (Paklaida K=3dB(A))	109 dB (A)	109 dB (A)	107 dB (A)
Nešioti klausos apsaugines priemones!			
Bendroji svyravimų reikšmė (trijų krypčių vektorių suma), nustatyta remiantis EN 60745.			
Metalo gręžimas:			
Vibravimų emisijos reikšmė a _{n,D}	7,6 m/s ²	7,6 m/s ²	10,0 m/s ²
Paklaida K=	1,5 m/s ²	1,5 m/s ²	1,5 m/s ²
Betono perforavimas			
Vibravimų emisijos reikšmė a _{n,10}	17,1 m/s ²	17,1 m/s ²	17,8 m/s ²
Paklaida K=	1,5 m/s ²	1,5 m/s ²	1,5 m/s ²

* Matuojant pagal „Milwaukee“ normą N 877318

DĖMESIO

Instrukcijoje nurodyta svyravimų ribinė vertė yra išmatuota remiantis standartu EN 60745; ji gali būti naudojama keliems elektriniams instrumentams palyginti. Ji taikoma ir laikinai įvertinti svyravimų apkrovą.

Nurodyta svyravimų ribinė vertė yra taikoma pagrindinėse elektrinio instrumento naudojimo srityse. Svyravimų ribinė vertė gali skirtis naudojant elektrinį instrumentą kitose srityse, papildomai naudojant netinkamus elektrinius instrumentus arba juos nepakankamai techniškai prižiūrint. Dėl to viso darbo metu gali žymiai padidėti svyravimų apkrova.

Siekiant tiksliai nustatyti svyravimų apkrovą, būtina atsižvelgti ir į laikotarpį, kai įrenginys yra išjungtas arba įjungtas, tačiau faktiškai nenaudojamas. Dėl to viso darbo metu gali žymiai sumažėti svyravimų apkrova.

Siekiant apsaugoti vartotojus nuo svyravimo įtakos naudojamos papildomos saugos priemonės, pavyzdžiui, elektrinių darbo instrumentų techninė priežiūra, rankų šilumos palaikymas, darbo procesų organizavimas.



Liet

⚠ DĖMESIO! Perskaitykite visas saugumo pastabas ir nurodymus. Jei nepaisysite žemiau pateiktų saugos nuorodų ir reikalavimų, gali trenkti elektros smūgis, kilti gaisras ir/arba galite sunkiai susižaloti arba sužaloti kitus asmenis.
Išsaugokite šias saugos nuorodas ir reikalavimus, kad ir ateityje galėtumėte jais pasinaudoti.

⚠ SAUGOS NURODYMAI GRĘŽIMO MAŠINOMS

Dirbdami su smūginiu grąžtu, visuomet naudokite apsaugines ausų priemones. Dėl didelio triukšmo poveikio gali būti pažeidžiama klausos.

Naudokite į prietaiso komplektaciją įeinančias papildomas rankenas. Nesuvaldžius prietaiso galima susižeisti.

Dirbdami laikykite prietaisą už izoliuotų vietų, kuriose pjovimo įrenginys pats galėtų liesti paslėptus laidus arba savo paties laidą. Pjovimo įrenginio kontaktas su įtampos laidais gali jelektrinti metalines prietaiso dalis, o tai gali sukelti elektros iškvorą.

Kiti saugumo ir darbo nurodymai

Dėvėkite apsaugines priemones. Dirbdami su mašina visada užsidėkite apsauginius akinius. Rekomenduotina dėvėti apsaugines priemones: apsaugos nuo dulkių respiratorius, apsaugines pirštines, kietus batus neslidžiais padais, šalmai ir klausos apsaugos priemonės.

Maitinimo kabelis turi nebūti įrenginio poveikio srityje. Kabelį visada nuveskite iš galinės įrenginio pusės.

Negalima apdirbti medžiagų, dėl kurių galimi sveikatos pažeidimai (pvz., asbesto).

Dirbdami sienoje, lubose arba grindyse, atkreipkite dėmesį į elektros laidus, dujų ir vandens vamzdžius.

Ruošinį užfiksukite įtempimo įrenginiu. Neužfiksuoti ruošiniai gali sunkiai sužaloti ir būti pažeidimų priežastimi.

Dirbdami su deimantinėmis gręžimo galvutėmis, smūgiavimu įtaisą išjunkite.

Blokuojant įstatomąjį įrankį būtina išjungti prietaisą! Neįjunkite prietaiso, kol įstatomasis įrankis yra užblokuotas; galimas grįžtamasis smūgis su dideliu sukimo momentu. Atsizvelgdami į saugumo nurodymus, nustatykite ir pašalinkite įstatomojo įrankio blokavimo priežastį.

Galimos priežastys:

- Susidariusios apdirbamo ruošinio briaunos
- Apdirbamos medžiagos pratrūkimas
- Elektros įrankio perkrova

Nekiškite rankų į veikiančią mašiną.

Naudojamas įstatomasis įrankis gali įkaisti.

DĖMESIO!! Pavojus nusideginti

- keičiant įrankį
- padedant prietaisą

Draudžiama išiminti drožles ar nuopjovas, įrenginiu veiktam.

Prieš atlikdami bet kokius darbus prietaise ištraukite iš lizdo kištuką.

NAUDOJIMAS PAGAL PASKIRTĮ

Smūginį gręžtuvą galima universaliai naudoti gręžimui ir smūginiam gręžimui.

Šį prietaisą leidžiama naudoti tik pagal nurodytą paskirtį.

CE ATITIKTIKIES PAREIŠKIMAS

Remiantis bendrais atsakomybės reikalavimais pareiškiami, jog skyriuje „Techniniai duomenys“ aprašytas produktas atitinka visus toliau pateiktų juridinių direktyvų reikalavimus: 2011/65/EU (RoHS), 2004/108/EB, 2006/42/EB ir kitus su jomis susijusius norminius dokumentus:

EN 60745-1:2009 + A11:2010

EN 60745-2-1:2010

EN 55014-1:2006 + A1:2009 + A2:2011

EN 55014-2:1997 + A1:2001 + A2:2008

EN 61000-3-2:2006 + A1:2009 + A2:2009

EN 61000-3-3:2008



Winnenden, 2014-04-24

Alexander Krug / Managing Director
Įgaliotas parengti techninius dokumentus.

Techtronic Industries GmbH
Max-Eyth-Straße 10, 71364 Winnenden, Germany

ELEKTROS TINKLO JUNGTI

Lauke esantys el. lizdai turi būti su gedimo srovės išjungikliais. Tai nurodyta Jūsų elektros įrenginio instaliacijos taisyklėse (FI, RCD, PRCD). Atsizvelkite į tai, naudodami prietaisą.

Jungti tik prie vienfazės kintamos elektros srovės ir tik į specifikacijų lentelėje nurodytus įtampos elektros tinklą. Konstrukcijos saugos klasė II, todėl galima jungti ir į lizdus be apsauginio kontakto.

Į elektros tinklą junkite tik išjungtą prietaisą.

TECHNINIS APTARNAVIMAS

Įrenginio vėdinimo angos visada turi būti švarios.

Dažnai naudojant smūginio gręžimo režimu, reikia reguliariai nuo grąžto patrono pašalinti dulkes. Tam laikykite įrenginį grąžto patrono tiesiai žemyn ir jį visiškai atidarykite ir uždarykite. Taip iš grąžto patrono iškrenta visos dulės. Rekomenduojame retkarčiais nupurkšti spaustuvo kumšteliu ir spaustuvo kumštelių kiaurymes valymo aerozoliu.

Jeigu pateiktas šio prietaiso laidas yra pažeistas, jį keisti gali tik gamintojo nurodytos remonto dirbtuvės, kad būtų išvengta pavojingų situacijų.

Naudokite tik „Milwaukee“ priedus ir „Milwaukee“ atsargines dalis. Dalis, kurių keitimas neaprašytas, leidžiama keisti tik „Milwaukee“ klientų aptarnavimo skyriams (žr. garantiją/klientų aptarnavimo skyrių adresus brošiūroje).

Esant poreikiui, nurodžius mašinos modelį ir šešiženklį numerį, esantį ant specifikacijų lentelės, klientų aptarnavimo centre arba tiesiogiai „Techtronic Industries GmbH“, Max-Eyth-Str. 10, 71364 Winnenden, Vokietija, galite užsakyti išplėstinį prietaiso brėžinį.

SIMBOLIAI



DĖMESIO! ĮSPĖJIMAS! PAVOJUS!



Prieš atlikdami bet kokius darbus prietaise ištraukite iš lizdo kištuką.



Prieš pradėdami dirbti su prietaisu, atidžiai perskaitykite jo naudojimo instrukciją.



Priedas – neįeina į tiekimo komplektaciją, rekomenduojamas papildymas iš priedų asortimento.



Elektros prietaisų negalima išmesti kartu su buitinėmis atliekomis. Būtina rūšiuoti elektros ir elektroninius prietaisus ir atiduoti į atliekų perdirbimo centrą, kad jie būtų utilizuoti neteršiant aplinkos. Informacijos apie perdirbimo centrus ir atliekų surinkimo įstaigas teiraukitės vietos įstaigoje arba prekybininko.



II apsaugos klasės elektrinis įrankis Šio elektrinio įrankio apsauga nuo elektros smūgio priklauso ne tik nuo pagrindinės izoliacijos, bet ir nuo to, kaip naudojamos papildomos apsauginės priemonės, tokios kaip dviguba arba pagerinta izoliacija.



CE ženklas





TEHNILISED ANDMED Löökpuur	PD2E 22 R (110 V)	PD2E 22 R (220-240 V)	PD2E 24 R (220-240 V)
Tootmisnumber	4195 91 01... ... 000001-999999	4195 71 01... ... 000001-999999	4195 96 01... ... 000001-999999
Nimitarbimine	800 W	850 W	1020 W
Väljundvõimsus	430 W	460 W	540 W
Pöörlemiskiirus tühijooksul, 1. käik	0-1000 min ⁻¹	0-1000 min ⁻¹	0-1000 min ⁻¹
Pöörlemiskiirus tühijooksul, 2. käik	0-3200 min ⁻¹	0-3200 min ⁻¹	0-3200 min ⁻¹
Maks pöörlemiskiirus koormusega, 1. käik	0-680 min ⁻¹	0-680 min ⁻¹	0-680 min ⁻¹
Maks pöörlemiskiirus koormusega, 2. käik	0-2100 min ⁻¹	0-2100 min ⁻¹	0-2100 min ⁻¹
Löökide arv koormusega maks	40 000 min ⁻¹	40 000 min ⁻¹	40 000 min ⁻¹
Staatileine blokeerumismoment *	56/30 Nm	56/30 Nm	60/33 Nm
Puuri ø betoonis	20 mm	20 mm	22 mm
Puuri ø tellistes ja silikaatkivides	22 mm	22 mm	24 mm
Puurimislabimõõt terases	13 mm	13 mm	16 mm
Puuri ø puidus	40 mm	40 mm	40 mm
Puuripadrundi pingutusvahemik	1,5-13 mm	1,5-13 mm	1,5-13 mm
Puurispindel	1/2" x 20	1/2" x 20	1/2" x 20
Kinnituskaela ø	43 mm	43 mm	43 mm
Kaal vastavalt EPTA-protseduurile 01/2003	2,8 kg	2,8 kg	2,9 kg
Müra/vibratsiooni andmed Mööteväärtused on kindlaks tehtud vastavalt normile EN 60 745. Seadme tüüpiline hinnanguline (müratase):			
Helirõhutase (Määramatus K=3dB(A)) Helivõimsuse tase (Määramatus K=3dB(A)) Kandke kaitseks kõrvaklappe!	98 dB (A) 109 dB (A)	98 dB (A) 109 dB (A)	96 dB (A) 107 dB (A)
Vibratsiooni koguväärtus (kolme suuna vektorsummamöödetud EN 60745 järgi).			
Metalli puurimine: Vibratsiooni emissiooni väärtus a _{h,d} Määramatus K=	7,6 m/s ² 1,5 m/s ²	7,6 m/s ² 1,5 m/s ²	10,0 m/s ² 1,5 m/s ²
Betooni löökpuurimine Vibratsiooni emissiooni väärtus a _{h,d} Määramatus K=	17,1 m/s ² 1,5 m/s ²	17,1 m/s ² 1,5 m/s ²	17,8 m/s ² 1,5 m/s ²

* Möödetud vastavalt Milwaukee normile N 877318

TÄHELEPANU

Antud juhendis toodud vonketase on möödetud EN 60745 standardile vastava mõotesüsteemiga ning seda võib kasutada erinevate elektriseadmete omavahelises võrdlemises. Antud näitaja sobib ka esmaseks vonkekoormuse hindamiseks.

Antud vonketase tekitab elektriseadme kasutamisel sihtotstarbeliselt. Kui elektriseadet kasutatakse muudel otstarvetel, muude tööriistadega või seda ei hooldata piisavalt võib vonketase siintoodust erineda. Eeltoodu võib vonketaset märkimisväärselt tõsta terves töökeskkonnas. Vonketaseme täpseks hindamiseks tuleks arvestada ka aega, mil seade on välja lülitatud või on küll sisse lülitatud, kuid ei ole otseselt kasutuses. See võib märgatavalt vähendada kogu töökeskkonna vonketaset.

Rakendage spetsiaalseid ettevaatusabinõusid töötajate suhtes, kes puutuvad töö käigus palju kokku vibratsiooniga. Nendeks abinõudeks võivad olla, näiteks: elektri- ja tööseadmete korraline hooldus, käte soojendamine, töövoo parem organiseerimine.

⚠ TÄHELEPANU! Lugege kõik ohutusnõuanded ja juhendid läbi. Ohutusnõuete ja juhiste eiramise tagajärjeks võib olla elektrilööök, tulekahju ja/või rasked vigastused.
Hoidke kõik ohutusnõuded ja juhised edasiseks kasutamiseks hoolikalt alles.

⚠ PUURMASINATE OHUTUSVIITED

Kandke löökpuurimisel kuulmekaitset. Müra toime võib põhjustada kuulmiskadu.

Kasutage seadmega koos tarnitud lisakäepidemeid. Kontrolli kaotamine võib põhjustada vigastusi.

Tööde puhul, kus lõikeseade võib minna vastu peidetud elektrijuhtmeid või seadme enda toitejuhet, hoidke kinni seadme isoleeritud käepidemetest. Kokkupuude pingestatud juhtmega võib pingestada ka lõikeseadme metallist osad ning põhjustada elektrilöögi.

Edasised ohutus- ja tööjuhised

Kasutada kaitsevarustust. Masinaga töötamisel kanda alati kaitseprille. Kaitseriietusena soovitatakse kasutada tolmumaski kaitsekindaid, kinniseid ja libisemisvastase tallaga jalanõusid, kiivrit ja kuulmisteede kaitset.

Hoidke ühendusjuhe alati masina tööpiirkonnast eemal. Vedage juhe alati masinast tahapoole.

Töödelda ei tohi materjale, millest lähtub oht tervisele (nt asbest).

Seina, lae või põrand tööde puhul pidage silmas elektrijuhtmeid, gaasi- ja veetorusid.

Kinnitage toorik kinnipingutusseadisele. Kinnitamata toorikud võivad põhjustada vigastusi ja kahjustusi põhjustada.

Teemant-kroonpuuriga töötamisel lülitage löökmehhanism välja.

Palun lülitage seade rakendustööriista blokeerumise korral kohe välja! Ärge lülitage seadet sisse tagasi, kuni rakendustööriist on blokeeritud; seejuures võib kõrge reaktsioonimomendiga tagasilööök tekkida. Tehke ohutusjuhiseid arvesse võttes kindlaks ja kõrvaldage rakendustööriista blokeerumise põhjus.

Selle võimalikeks põhjusteks võivad olla:

- viltu asetumine töödeldavas toorikus
- töödeldava materjali läbimurdumine
- elektritööriista ülekoormamine

Ärge sisestage jässeid töötavasse masinasse.

Rakendustööriist võib kasutamise ajal kuumaks minna.

TÄHELEPANU!! Põletusohu

- tööriista vahetamisel
- seadme ärapanemisel

Puru ega pilpaid ei tohi eemaldada masina töötamise ajal.

Enne kõiki töid seadme kallal tõmmake pistik pistikupesast välja.

KASUTAMINE VASTAVALT OTSTARBELE

Lööktrelli saab universaalselt rakendada puurimiseks ja löökpuurimiseks.

Antud seadet tohib kasutada ainult vastavalt äranäidatud otstarbele.

EÜ VASTAVUSAVALDUS

Me deklareerime ainuüheselt vastutades, et lõigus „Tehnilised andmed“ kirjeldatud toode vastab direktiivide 2011/65/EU (RoHS), 2004/108/EÜ, 2006/42/EÜ kõigile olulisele tähtsusega eeskirjadele ning järgmistele harmoniseeritud normatiivsetele dokumentidele:

EN 60745-1:2009 + A11:2010

EN 60745-2-1:2010

EN 55014-1:2006 + A1:2009 + A2:2011

EN 55014-2:1997 + A1:2001 + A2:2008

EN 61000-3-2:2006 + A1:2009 + A2:2009

EN 61000-3-3:2008



Winnenden, 2014-04-24

Alexander Krug / Managing Director

On volitatud koostama tehnilist dokumentatsiooni.

Techtronic Industries GmbH

Max-Eyth-Straße 10, 71364 Winnenden, Germany

VÕRKU ÜHENDAMINE

Välitingimustes asuvad pistikupesad peavad olema varustatud rikkevoolukaitseliititega (FI, RCD, PRCD). Seda nõutakse Teie elektriseadme installeerimiseeskirjas. Palun pidage sellest me seadme kasutamisel kinni.

Ühendage ainult ühefaasilise vahelduvvooluga ning ainult andmesildil toodud võrgupingega. Ühendada on võimalik ka kaitsekontaktita pistikupesadesse, kuna nende konstruktsioon vastab kaitseklassile II.

Ühendage seade pistikupesasse ainult välja lülitatult.

HOOLDUS

Hoidke masina ohutuspilud alati puhtad.

Löökpuuri sagedase käitamise puhul tuleks puuripadrunit regulaarselt tolmuda eemaldada. Selleks hoidke masinat püstloodis alla suunatud puuripadrunita ning avage ja sulgege puuripadrunita kogu pingutusvahemiku ulatuses. Kogunenud tolm langeb nii puuripadrunita välja. Soovitatav on kinnitussukkide ja kinnitussukkide puurete puhul kasutada regulaarselt puhustatavat puhastusvedelikku.

Kui seadme võrguühendusjuhe on kahjustatud, võib seda vahetada ainult tootja poolt volitatud parandus, et vältida ohtlikke situatsioone.

Kasutage ainult Milwaukee tarvikuid ja Milwaukee tagavaraosi. Detailid, mille väljavahetamist pole kirjeldatud, laske välja vahetada Milwaukee klienditeeninduspunktis (vaadake brošüüri garantii / klienditeeninduste aadressid).

Vajadusel saab nõuda seadme plahvatusjoonise võimsussildil oleva masinatüübi ja kuuekohalise numbrilise alusel klienditeeninduspunkti või vahetult firmalt Techtronic Industries GmbH, Max-Eyth-Straße 10, 71364 Winnenden, Germany.



SÜMBOLID



ETTEVAATUST! TÄHELEPANU! OHUD!



Enne kõiki töid seadme kallal tõmmake pistik pistikupesast välja.



Palun lugege enne käikulaskmist kasutusjuhend hoolikalt läbi.



Tarvikud - ei kuulu tarne komplekti, soovitatav täiendus on saadaval tarvikute programmis.



Elektriseadmeid ei tohi utiliseerida koos majapidamisprügiga. Elektrilised ja elektroonilised seadmed tuleb eraldi kokku koguda ning keskkonnasõbralikuks utiliseerimiseks vastavas käitlusettevõttes ära anda. Küsige kohalikest pädevatest ametitest või edasimüüjalt käitlusjaamade ja kogumispunktide kohta järele.



Kaitseklassi II elektritööriist Elektritööriist, mille puhul ei sõltu kaitse mitte üksnes baasisolatsioonist, vaid ka täiendavate kaitsemeetmete nagu topeltisolatsiooni või tugevdatud isolatsiooni kohaldamisest.



CE-märk



ТЕХНИЧЕСКИЕ ДАННЫЕ Ударная дрель	PD2E 22 R (110 V)	PD2E 22 R (220-240 V)	PD2E 24 R (220-240 V)
Серийный номер изделия	4195 91 01... ... 000001-999999	4195 71 01... ... 000001-999999	4195 96 01... ... 000001-999999
Номинальная выходная мощность	800 W	850 W	1020 W
Номинальная мощность	430 W	460 W	540 W
Число оборотов без нагрузки (об/мин), 1-я скорость	0-1000 min ⁻¹	0-1000 min ⁻¹	0-1000 min ⁻¹
Число оборотов без нагрузки (об/мин), 2-я скорость	0-3200 min ⁻¹	0-3200 min ⁻¹	0-3200 min ⁻¹
Макс. скорость под нагрузкой, 1-я скорость	0-680 min ⁻¹	0-680 min ⁻¹	0-680 min ⁻¹
Макс. скорость под нагрузкой, 2-я скорость	0-2100 min ⁻¹	0-2100 min ⁻¹	0-2100 min ⁻¹
Количество ударов при максимальной нагрузке (макс.)	40 000 min ⁻¹	40 000 min ⁻¹	40 000 min ⁻¹
Статический блокирующий момент *	56/30 Nm	56/30 Nm	60/33 Nm
Производительность сверления в бетон	20 mm	20 mm	22 mm
Производительность сверления в кирпич и кафель	22 mm	22 mm	24 mm
Производительность сверления в стали	13 mm	13 mm	16 mm
Производительность сверления в дереве	40 mm	40 mm	40 mm
Диапазон раскрытия патрона	1,5-13 mm	1,5-13 mm	1,5-13 mm
Хвостовик привода	1/2" x 20	1/2" x 20	1/2" x 20
Диаметр горловины патрона	43 mm	43 mm	43 mm
Вес согласно процедуре ЕРТА 01/2003	2,8 kg	2,8 kg	2,9 kg
Информация по шумам/вибрации			
Значения замерялись в соответствии со стандартом EN 60 745. Уровень шума прибора, определенный по показателю A, обычно составляет:			
Уровень звукового давления (Небезопасность K=3dB(A))	98 dB (A)	98 dB (A)	96 dB (A)
Уровень звуковой мощности (Небезопасность K=3dB(A))	109 dB (A)	109 dB (A)	107 dB (A)
Пользуйтесь приспособлениями для защиты слуха.			
Общие значения вибрации (векторная сумма трех направлений) определены в соответствии с EN 60745.			
Сверление в металле:			
Значение вибрационной эмиссии a _{h,D}	7,6 m/s ²	7,6 m/s ²	10,0 m/s ²
Небезопасность K=	1,5 m/s ²	1,5 m/s ²	1,5 m/s ²
Ударное сверление в бетоне			
Значение вибрационной эмиссии a _{h,D}	17,1 m/s ²	17,1 m/s ²	17,8 m/s ²
Небезопасность K=	1,5 m/s ²	1,5 m/s ²	1,5 m/s ²

* Измерения согласно нормативам Milwaukee № 877318

ВНИМАНИЕ

Указанный в настоящем руководстве уровень вибрации измерен в соответствии с технологией измерения, установленной стандартом EN 60745 и может использоваться для сравнения электроинструментов друг с другом. Он также подходит для предварительной оценки вибрационной нагрузки.

Указанный уровень вибрации представляет основные виды использования электроинструмента. Но если электроинструмент используется для других целей, используемый инструмент отклоняется от указанного или техническое обслуживание было недостаточным, то уровень вибрации может отклоняться от указанного. В этом случае вибрационная нагрузка в течение всего периода работы значительно увеличивается

Для точной оценки вибрационной нагрузки необходимо также учитывать время, в течение которого прибор отключен или включен, но фактически не используется. В этом случае вибрационная нагрузка в течение всего периода работы может существенно уменьшиться.

Установите дополнительные меры безопасности для защиты пользователя от воздействия вибрации, например: техническое обслуживание электроинструмента и используемого инструмента, поддержание рук в теплом состоянии, организация рабочих процессов.



▲ ВНИМАНИЕ! Ознакомьтесь со всеми указаниями по безопасности и инструкциями, в том числе с инструкциями. Упущения, допущенные при соблюдении указаний и инструкций по технике безопасности, могут стать причиной электрического поражения, пожара и тяжелых травм.
Сохраняйте эти инструкции и указания для будущего использования.

▲ УКАЗАНИЯ ПО БЕЗОПАСНОСТИ ДЛЯ СВЕРЛИЛЬНЫХ СТАНКОВ

При ударном сверлении надевайте защитные наушники. Воздействие шума может привести к потере слуха.

Используйте вспомогательные рукоятки, поставляемые вместе с инструментом. Потеря контроля может стать причиной травмы.

Если Вы выполняете работы, при которых режущий инструмент может зацепить скрытую электропроводку или собственный кабель, инструмент следует держать за специально предназначенные для этого изолированные поверхности. Контакт режущего инструмента с токоведущим проводом может ставить под напряжение металлические части прибора, а также приводить к удару электрическим током.

Дополнительные указания по безопасности и работе

Пользоваться средствами защиты. Работать с инструментом всегда в защитных очках. Рекомендуется спецодежда: пылезастыжная маска, защитные перчатки, прочная и нескользящая обувь, каска и наушники.

Держите силовой провод вне рабочей зоны инструмента. Всегда прокладывайте кабель за спиной.

Запрещается обрабатывать материалы, которые могут нанести вред здоровью (напр., асбест).

При работе в стенах, потолках или полу следите за тем, чтобы не повредить электрические кабели или водопроводные трубы.

Зафиксируйте вашу заготовку с помощью зажимного приспособления. Незафиксированные заготовки могут привести к тяжелым травмам и повреждениям.

Не используйте алмазные коронки в режиме перфоратора.

При блокировании используемого инструмента немедленно выключить прибор! Не включайте прибор до тех пор, пока используемый инструмент заблокирован, в противном случае может возникнуть отдача с высоким реактивным моментом. Определите и устраните причину блокирования используемого инструмента с учетом указаний по безопасности.

Возможными причинами могут быть:

- перекося заготовки, подлежащей обработке
- разрушение материала, подлежащего обработке
- перегрузка электроинструмента

Не прикасаться к работающему станку.

Используемый инструмент может нагреваться во время применения.

ВНИМАНИЕ!! Опасность получения ожога

- при смене инструмента
- при укладывании прибора

Не убирайте опилки и обломки при включенном инструменте.

Перед тем, как выполнять любые работы на машине, выдерните вилку из розетки.

ИСПОЛЬЗОВАНИЕ

Дрель может одинаково использоваться для сверления, ударного сверления, закручивания шурупов и нарезания резьбы.

Не пользуйтесь данным инструментом способом, отличным от указанного для нормального применения.

ДЕКЛАРАЦИЯ О СООТВЕТСТВИИ СТАНДАРТАМ ЕС

Мы заявляем под собственную ответственность, что изделие, описанное в разделе „Технические характеристики“, соответствует всем важным предписаниям Директивы 2011/65/EU (Директива об ограничении применения опасных веществ в электрических и электронных приборах), 2004/108/EC, 2006/42/EC и приведенным далее гармонизированным нормативным документам:

EN 60745-1:2009 + A11:2010

EN 60745-2-1:2010

EN 55014-1:2006 + A1:2009 + A2:2011

EN 55014-2:1997 + A1:2001 + A2:2008

EN 61000-3-2:2006 + A1:2009 + A2:2009

EN 61000-3-3:2008



Winnenden, 2014-04-24

Alexander Krug / Managing Director

Уполномочен на составление технической документации.

Techtronic Industries GmbH

Max-Eyth-Straße 10, 71364 Winnenden, Germany

ПОДКЛЮЧЕНИЕ К ЭЛЕКТРОСЕТИ

Электроприборы, используемые во многих различных местах, в том числе на открытом воздухе, должны подключаться через устройство, предотвращающее резкое повышение напряжения (FI, RCD, PRCD).

Подсоединять только к однофазной сети переменного тока с напряжением, соответствующим указанному на инструменте. Электроинструмент имеет второй класс защиты, что позволяет подключать его к розеткам электропитания без заземляющего вывода.

Перед включением вилки в розетку убедитесь, что машина выключена.

ОБСЛУЖИВАНИЕ

Всегда держите охлаждающие отверстия чистыми.

Если инструмент используется в основном для ударного сверления регулярно удаляйте скопившуюся в патроне пыль. Для удаления пыли, держите инструмент вертикально патроном вниз и полностью откройте и закройте патрон. Скопившаяся пыль должна высыпаться из патрона. Рекомендуется периодически использовать чистящее средство для зажимных приспособлений и держателей буров.

При повреждении кабеля сетевого питания во избежание создания опасной ситуации необходимо обратиться в ремонтную мастерскую для его замены.

Пользуйтесь аксессуарами и запасными частями Milwaukee. В случае возникновения необходимости в замене, которая не была описана, обращайтесь в один из сервисных центров по обслуживанию электроинструментов Milwaukee (см. список сервисных организаций).

При необходимости, у сервисной службы или непосредственно у фирмы Techtronic Industries GmbH, Max-Eyth-Straße 10, 71364, Винненден, Германия, можно запросить сборочный чертеж устройства, сообщив его тип и шестизначный номер, указанный на фирменной табличке.

СИМВОЛЫ



ВНИМАНИЕ! ПРЕДУПРЕЖДЕНИЕ! ОПАСНОСТЬ!



Перед тем, как выполнять любые работы на машине, выдерните вилку из розетки.



Пожалуйста, внимательно прочтите инструкцию по использованию перед началом любых операций с инструментом.



Принадлежности - В стандартную комплектацию не входит, поставляется в качестве дополнительной принадлежности.



Электрические устройства нельзя утилизировать вместе с бытовым мусором. Электрические и электронные устройства следует собирать отдельно и сдавать в специализированную утилизирующую компанию для утилизации в соответствии с нормами охраны окружающей среды. Сведения о центрах вторичной переработки и пунктах сбора можно получить в местных органах власти или у вашего специализированного дилера.



Электроинструмент с классом защиты II
Электроинструмент, в котором защита от электрического удара зависит не только от основной изоляции, но и от того, что принимаются дополнительные защитные меры, такие как двойная изоляция или усиленная изоляция.



Знак CE



Соответствие техническому регламенту



Національний знак відповідності України

TR 066





ТЕХНИЧЕСКИ ДАННИ Ударна бормашина	PD2E 22 R (110 V)	PD2E 22 R (220-240 V)	PD2E 24 R (220-240 V)
Производствен номер	4195 91 01... ... 000001-999999	4195 71 01... ... 000001-999999	4195 96 01... ... 000001-999999
Номинална консумирана мощност	800 W	850 W	1020 W
Отдавана мощност	430 W	460 W	540 W
Обороти на празен ход, 1. скорост	0-1000 min ⁻¹	0-1000 min ⁻¹	0-1000 min ⁻¹
Обороти на празен ход, 2. скорост	0-3200 min ⁻¹	0-3200 min ⁻¹	0-3200 min ⁻¹
Макс. обороти при натоварване, 1. скорост	0-680 min ⁻¹	0-680 min ⁻¹	0-680 min ⁻¹
Макс. обороти при натоварване, 2. скорост	0-2100 min ⁻¹	0-2100 min ⁻¹	0-2100 min ⁻¹
Макс. брой на ударите при натоварване	40 000 min ⁻¹	40 000 min ⁻¹	40 000 min ⁻¹
Статичен блокиращ момент *	56/30 Nm	56/30 Nm	60/33 Nm
Диаметър на свредлото за бетон	20 mm	20 mm	22 mm
Диаметър на свредлото за обикновени и силикатни тухли	22 mm	22 mm	24 mm
Диаметър на свредлото за стомана	13 mm	13 mm	16 mm
Диаметър на свредлото за дърво	40 mm	40 mm	40 mm
Затегателен участък на патронника	1,5-13 mm	1,5-13 mm	1,5-13 mm
Шпиндел на бормашиката	1/2" x 20	1/2" x 20	1/2" x 20
Диаметър на отвора на патронника	43 mm	43 mm	43 mm
Тегло съгласно процедурата ЕРТА 01/2003	2,8 kg	2,8 kg	2,9 kg
Информация за шума/вибрациите			
Измерените стойности са получени съобразно EN 60 745. Оцененото с А ниво на шума на уреда е съответно:			
Ниво на звукова мощност (Несигурност K=3dB(A))	98 dB (A)	98 dB (A)	96 dB (A)
Ниво на звукова мощност (Несигурност K=3dB(A))	109 dB (A)	109 dB (A)	107 dB (A)
Да се носи предпазно средство за слуха!			
Общите стойности на вибрациите (векторна сума на три посоки) са определени в съответствие с EN 60745.			
Пробиване на метал:			
Стойност на емисии на вибрациите a _{v,d}	7,6 m/s ²	7,6 m/s ²	10,0 m/s ²
Несигурност K=	1,5 m/s ²	1,5 m/s ²	1,5 m/s ²
Ударно пробиване в бетон			
Стойност на емисии на вибрациите a _{v,ld}	17,1 m/s ²	17,1 m/s ²	17,8 m/s ²
Несигурност K=	1,5 m/s ²	1,5 m/s ²	1,5 m/s ²

* Измерено по стандарт N 877318 на Milwaukee

ВНИМАНИЕ

Посоченото в тези инструкции ниво на вибрациите е измерено в съответствие със стандартизиран в EN 60745 измервателен метод и може да се използва за сравнение на електрически инструменти помежду им. Подходящ е и за временна оценка на вибрационното натоварване.

Посоченото ниво на вибрациите представя основните приложения на електрическия инструмент. Ако обаче електрическият инструмент се използва с друго предназначение, с различни сменяеми инструменти или при недостатъчна техническа поддръжка, нивото на вибрациите може да е различно. Това чувствително може да увеличи вибрационното натоварване по време на целия работен цикъл.

За точната оценка на вибрационното натоварване трябва да се вземат предвид и периодите от време, в които уредът е изключен или работи, но в действителност не се използва. Това чувствително може да намали вибрационното натоварване по време на целия работен цикъл.

Определете допълнителни мерки по техника на безопасност в защита на обслужващия работник от въздействието на вибрациите като например: техническа поддръжка на електрическия инструмент и сменяемите инструменти, поддържане на ръцете топли, организация на работния цикъл.

▲ ВНИМАНИЕ! Прочетете указанията за безопасност и съветите. Неспазването на приведените по-долу указания може да доведе до токов удар, пожар и/или тежки травми.
Съхранявайте тези указания на сигурно място.

▲ ИНСТРУКЦИЯ ЗА БЕЗОПАСНОСТ НА ПРОБИВНА МАШИНА

Носете предпазни тапи за ушите при ударното пробиване. Шумът може да доведе до загуба на слуха.

Използвайте доставените с уреда допълнителни ръкохватки. Загубата на контрол може да доведе до наранявания.

Дръжте уреда за изолираните ръкохватки, когато извършвате работи, при които режещият инструмент може да засегне скрити електроинсталационни кабели или собствения си кабел. Контактът на режещия инструмент с тоководещ проводник може да предаде напрежението върху метални части на уреда и да доведе до токов удар.

Допълнителни указания за работа и безопасност

Да се използват предпазни средства. При работа с машината винаги носете предпазни очила. Препоръчват се защитно облекло и прахозащитна маска, защитни ръкавици, здрави и нехлъзгави се обувки, каска и предпазни средства за слуха.

Свързващият кабел винаги да се държи извън работния обсег на машината. Кабелът да се отвежда от машината винаги назад.

Не е разрешена обработката на материали, които представляват опасност за здравето (напр. азбест).

При работа в стени, тавани или подове внимавайте за кабели, газопроводи и водопроводи.

Закрепете обработваната част с устройство за захващане. Незакрепени части за обработка могат да причинят сериозни наранявания и материални щети.

При работи с диамантени боркорони изключете ударния механизъм.

Ако използваният инструмент блокира, изключете веднага уреда! Не включвайте уреда отново, докато използваният инструмент е блокиран; това би могло да доведе до откат с висока реактивна сила. Открийте и отстранете причината за блокирането на използвания инструмент имайки в предвид инструкциите за безопасност.

Възможните причини за това могат да бъдат:

- Заклинване в обработваната част
- Пробиване на материала
- Пренатоварване на електрическия инструмент

Не бъркайте в машината, докато тя работи.

Използваният инструмент може да загрее по време на употреба.

ВНИМАНИЕ!! Опасност от изгаряния

- при смяна на инструмента
- при оставяне на уреда

Стружи или отчупени парчета да не се отстраняват, докато машина работи.

Преди всякакви работи по уреда извадете щепсела от контакта.

ИЗПОЛЗВАНЕ ПО ПРЕДНАЗНАЧЕНИЕ

Ударната бормашина може да се използва универсално за пробиване и ударно пробиване.

Този уред може да се използва по предназначение само както е посочено.

СЕ - ДЕКЛАРАЦИЯ ЗА СЪОТВЕТСТВИЕ

Заявяваме под собствена отговорност, че описаният в „Технически данни“ продукт съответства на всички важни разпоредби на директива 2011/65/EU (RoHS), 2004/108/EO, 2006/42/EO, както и на всички следващи нормативни документи във тази връзка.

EN 60745-1:2009 + A11:2010

EN 60745-2-1:2010

EN 55014-1:2006 + A1:2009 + A2:2011

EN 55014-2:1997 + A1:2001 + A2:2008

EN 61000-3-2:2006 + A1:2009 + A2:2009

EN 61000-3-3:2008



Winnenden, 2014-04-24

Alexander Krug / Managing Director

Упълномощен за съставяне на техническата документация

Techtronic Industries GmbH

Max-Eyth-Straße 10, 71364 Winnenden, Germany

ЕЛ. ЗАХРАНВАНЕ

Контактите във външните участъци трябва да бъдат оборудвани със защитни прекъсвачи за утечен ток (FI, RCD, PRCD). Това изисква предписанието за инсталиране за електрическата инсталация. Моля спазвайте това при използване на Вашия уред.

Да се свързва само към еднофазен променлив ток и само към мрежово напрежение, посочено върху заводската табелка. Възможно е и свързване към контакт, който не е от тип „шуко“, понеже конструкцията е от защитен клас II.

Свързвайте уреда към контакта само в изключено състояние.

ПОДДРЪЖКА

Вентилационните шлицы на машината да се поддържат винаги чисти.

Когато машината често се използва за ударно пробиване, патронникът следва често да се почиства от прах. За целта дръжте машината с патронника вертикално надолу, отворяйте патронника напълно и после го затваряйте. Така насъбраният се прах пада от патронника. Препоръчва се редовно използване на спрей за почистване на затегателните челюсти и на техните отвори.

Ако захранващият кабел е повреден, то същият трябва да бъде сменен в сервис с цел предотвратяване на опасности.

Да се използват само аксесоари на Milwaukee и резервни части на Milwaukee. Елементи, чията подмяна не е описана, да се дават за подмяна в сервис на Milwaukee (вижте брошурата „Гаранция и адреси на сервиси“).



При необходимост можете да поискате схема на елементите на уреда при посочване на обозначение на машината и шестцифрения номер на табелката за технически данни от Вашия сервиз или директно на Techtronic Industries GmbH, Max-Eyth-Straße 10, 71364 Winnenden, Германия.

СИМВОЛИ



ВНИМАНИЕ! ПРЕДУПРЕЖДЕНИЕ! ОПАСНОСТ



Преди всякакви работи по уреда извадете щепсела от контакта.



Преди пускане на уреда в действие моля прочетете внимателно инструкцията за използване.



Акcesoари - Не се съдържат в обема на доставката, препоръчвано допълнение от програмата за акcesoари.



Електрическите уреди не трябва да се изхвърлят заедно с битовите отпадъци. Електрическото и електронното оборудване трябва да се събират отделно и да се предават на службите за рециклиране на отпадъците според изискванията за опазване на околната среда. Информирайте се при местните служби или при местните специализирани търговци относно местата за събиране и центровете за рециклиране на отпадъци.



Електроинструмент от защитен клас II
Електроинструмент, при който защитата от електрически удар зависи не само от основната изолация, а и от обстоятелството, че се използват допълнителни защитни мерки като двойна изолация или усилена изолация.



CE-знак



DATE TEHNICE Ciocan rotopercutor	PD2E 22 R (110 V)	PD2E 22 R (220-240 V)	PD2E 24 R (220-240 V)
Număr producție	4195 91 01... ... 000001-999999	4195 71 01... ... 000001-999999	4195 96 01... ... 000001-999999
Putere nominală de ieșire	800 W	850 W	1020 W
Putere de ieșire	430 W	460 W	540 W
Viteza la mers în gol, prima treaptă de putere	0-1000 min ⁻¹	0-1000 min ⁻¹	0-1000 min ⁻¹
Viteza la mers în gol, a 2-a treaptă de putere	0-3200 min ⁻¹	0-3200 min ⁻¹	0-3200 min ⁻¹
Viteza sub sarcina max., prima treaptă de putere	0-680 min ⁻¹	0-680 min ⁻¹	0-680 min ⁻¹
Viteza sub sarcina max., a 2-a treaptă de putere	0-2100 min ⁻¹	0-2100 min ⁻¹	0-2100 min ⁻¹
Rata de percuție sub sarcina max.	40 000 min ⁻¹	40 000 min ⁻¹	40 000 min ⁻¹
Moment static de comprimare (apăsare)	56/30 Nm	56/30 Nm	60/33 Nm
Capacitate de perforare în beton	20 mm	20 mm	22 mm
Capacitate de perforare în cărămidă și țiglă	22 mm	22 mm	24 mm
Capacitate de găurire în oțel	13 mm	13 mm	16 mm
Capacitate de găurire în lemn	40 mm	40 mm	40 mm
Interval de deschidere burghiu	1,5-13 mm	1,5-13 mm	1,5-13 mm
Capăt de acționare	1/2" x 20	1/2" x 20	1/2" x 20
Diametru gât mandrină	43 mm	43 mm	43 mm
Greutatea conform „EPTA procedure 01/2003”	2,8 kg	2,8 kg	2,9 kg
Informație privind zgomotul/vibrațiile			
Valori măsurate determinate conform EN 60745. Nivelul de zgomot evaluat cu A al aparatului este tipic de:			
Nivelul presiunii sonore (Incertitudine K=3dB(A))	98 dB (A)	98 dB (A)	96 dB (A)
Nivelul sunetului (Incertitudine K=3dB(A))	109 dB (A)	109 dB (A)	107 dB (A)
Purtați căști de protecție			
Valorile totale de oscilație (suma vectorială pe trei direcții determinate conform normei EN 60745).			
Găurit în metal:			
Valoarea emisiei de oscilații a _{n,D}	7,6 m/s ²	7,6 m/s ²	10,0 m/s ²
Incertitudine K=	1,5 m/s ²	1,5 m/s ²	1,5 m/s ²
Găurit cu percuție în beton			
Valoarea emisiei de oscilații a _{n,10}	17,1 m/s ²	17,1 m/s ²	17,8 m/s ²
Incertitudine K=	1,5 m/s ²	1,5 m/s ²	1,5 m/s ²

* Măsurată conform normei Milwaukee N 877318

AVERTISMENT

Gradul de oscilație indicat în prezentele instrucțiuni a fost măsurat în conformitate cu o procedură de măsurare normată prin norma EN 60745 și poate fi folosit pentru a compara unelte electrice între ele. El se pretează și pentru o evaluare provizorie a solicitării la oscilații.

Gradul de oscilație indicat reprezintă aplicațiile principale ale uneltelor electrice. În cazul în care însă uneltele electrice au fost folosite pentru alte aplicații, ori au fost folosite unelte de muncă diferite ori acestea nu au fost supuse unei suficiente inspecții de întreținere, gradul de oscilație poate fi diferit.

Acest fapt poate duce la o creștere netă a solicitărilor la oscilații dealungul întregii perioade de lucru. În scopul unei evaluări exacte a solicitării la oscilații, urmează să fie luate în considerare și perioadele de timp în care aparatul a fost oprit ori funcționează dar, în realitate, el nu este folosit în mod practic. Acest fapt poate duce la o reducere netă a solicitărilor la oscilații dealungul întregii perioade de lucru.

Stabiliți măsuri de siguranță suplimentare în scopul protecției utilizatorului de efectele oscilațiilor, de exemplu: inspecție de întreținere a uneltelor electrice și a celor de muncă, păstrarea caldă a mâinilor, organizarea proceselor de muncă.



⚠️ AVERTISMENT! Citiți toate avizele de siguranță și indicațiile. Nerespectarea indicațiilor de avertizare și a instrucțiunilor poate provoca electrocutare, incendii și/sau răni grave.

Păstrați toate indicațiile de avertizare și instrucțiunile în vederea utilizărilor viitoare.

⚠️ INDICAȚII DE SIGURANȚĂ PENTRU MAȘINI DE GĂURIT

La găurirea cu percuție purtați echipament de protecție pentru auz. Expunerea la zgomot poate duce la pierderea auzului.

Utilizați manerale auxiliare livrate cu scula. Pierderea controlului poate provoca rănierea persoanelor.

Țineți aparatul de mânerale izolate când executați lucrări la care scula tăietoare poate nimeri peste conductori electrici ascunși sau peste cablul propriu. Intrarea în contact a sculei tăietoare cu o linie electrică prin care circulă curent poate pune sub tensiune și componente metalice ale aparatului și să ducă la electrocutare.

Instrucțiuni suplimentare de siguranță și de lucru

Folosii echipament de protecție. Purtați întotdeauna ochelari de protecție când lucrați cu mașina. Se recomandă utilizarea hainelor de protecție ca de ex. Măști contra prafului, mănuși de protecție, încălțăminte stabilă nealunecoasă, cască și aparatoare de urechi.

Păstrați cablul de alimentare la o distanță de arie de lucru a mașinii. Întotdeauna țineți cablul în spatele dvs.

Nu se admite prelucrarea unui material care poate pune în pericol sănătatea operatorului (de exemplu azbestul).

Când se lucrează pe pereți, tavan sau dușumea, aveți grijă să evitați cablurile electrice și țevile de gaz sau de apă.

Asigurați piesa de prelucrat cu un dispozitiv de fixare. Piesele neasigurate pot provoca accidente grave și stricăciuni.

Nu folosiți burghie cu diamant pe modul ciocan.

La blocarea sculei demontabile vă rugăm să deconectați imediat aparatul! Nu conectați aparatul atâta timp cât scula demontabilă este blocată; dacă o faceți, s-ar putea să se producă un recul cu un cuplu mare de reacție. Găsiți și remediați cauza de blocare a sculei demontabile respectând indicațiile pentru siguranță.

Cauzele posibile pot fi:

- Așchile în piesa de prelucrat
- Străpungerea materialului de prelucrat
- Suprasolicitarea sculei electrice

Nu atingeți părțile mașinii aflate în rotație.

Scula introdusă poate să devină fierbinte în timpul utilizării.

AVERTISMENT!! Pericol de arsuri

- la schimbarea sculei
- la depunerea aparatului

Rumegușul și spanul nu trebuie îndepărtate în timpul funcționării mașinii.

Înainte de a efectua orice intervenție la mașina, scoateți stecarul din priză.

CONDIȚII DE UTILIZARE SPECIFICATE

Mașina electronică de găurit / de înșurubat pot fi utilizate universal pentru găurire și găurire cu percuție,

Nu utilizați acest produs în alt mod decât cel stabilit pentru utilizare normală

DECLARAȚIE DE CONFORMITATE

Declaram pe propria răspundere că produsul descris la „Date tehnice” este în concordanță cu toate prevederile legale relevante ale Directivei 2011/65/EU (RoHS), 2004/108/CE, 2006/42/CE și cu următoarele norme armonizate:

EN 60745-1:2009 + A11:2010

EN 60745-2-1:2010

EN 55014-1:2006 + A1:2009 + A2:2011

EN 55014-2:1997 + A1:2001 + A2:2008

EN 61000-3-2:2006 + A1:2009 + A2:2009

EN 61000-3-3:2008



Winnenden, 2014-04-24

Alexander Krug / Managing Director

Împuternicit să elaboreze documentația tehnică.

Techtronic Industries GmbH

Max-Eyth-Straße 10, 71364 Winnenden, Germany

ALIMENTARE DE LA REȚEA

Aparatele utilizate în multe locații diferite inclusiv în aer liber trebuie conectate printr-un disjunctur (FI, RCD, PRCD) care previne comutarea.

Conectați numai la priza de curent alternativ monofazat și numai la tensiunea specificată pe placuța indicatoare. Se permite conectarea și la prize fără împamantare dacă modelul se conformează clasei II de securitate.

Asigurați-vă că aparatul este oprit, înainte de conectare.

INTREȚINERE

Fantele de aerisire ale mașinii trebuie să fie menținute libere tot timpul

Dacă mașina este folosită în principal pentru perforare prin percuție, înlăturați în mod regulat praful colectat din mandrină. Pentru a înlătura praful, țineți mașina cu mandrina vertical în jos și deschideți mandrina complet și închideți-o. Praful colectat va cădea din mandrină. Se recomandă utilizarea regulată a unui aspirator pentru fâlcile de strângere și orificiile acestora.

În cazul în care cablul de alimentare este deteriorat, acesta trebuie înlocuit de către serviciul de service al producătorului pentru a se evita situațiile periculoase.

Utilizați numai accesorii și piese de schimb Milwaukee. Dacă unele din componente care nu au fost descrise trebuie înlocuite, vă rugăm contactați unul din agenții de service Milwaukee (vezi lista noastră pentru service / garanți

Dacă este necesar, puteți solicita de la centrul dvs. de service pentru clienți sau direct la Techtronic Industries GmbH, Max-Eyth-Straße 10, 71364 Winnenden, Germania un desen descompus al aparatului prin indicarea tipului de aparat și a numărului cu șase cifre de pe tăblița indicatoare.

SIMBOLURI



PERICOL! AVERTIZARE! ATENȚIE!



Înainte de a efectua orice intervenție la mașina, scoateți stecarul din priză.



Va rugăm citiți cu atenție instrucțiunile înainte de pornirea mașinii



Accesoriu - Nu este inclus în echipamentul standard , disponibil ca accesoriu



Aruncarea aparatelor electrice la gunoierul menajer este interzisă. Echipamentele electrice și electronice trebuie colectate separat și predate la un centru de reciclare și eliminare a deșeurilor, pentru a fi eliminate ecologic. Interesați-vă la autoritățile locale sau la comerciantul dvs. de specialitate unde se află centre de reciclare și puncte de colectare.



Sculă electrică cu clasa de protecție II Sculă electrică la care protecția împotriva unei electrocutări nu depinde doar de izolația de bază, ci și de aplicarea de măsuri suplimentare de protecție, cum ar fi o izolație dublă sau o izolație mai puternică.



Marcaj CE



ТЕХНИЧКИ ПОДАТОЦИ Ударна бормашина а	PD2E 22 R (110 V)	PD2E 22 R (220-240 V)	PD2E 24 R (220-240 V)
Произведен број	4195 91 01... ... 000001-999999	4195 71 01... ... 000001-999999	4195 96 01... ... 000001-999999
Определен внес	800 W	850 W	1020 W
Излез	430 W	460 W	540 W
Брзина без оптоварување, прва брзина	0-1000 min ⁻¹	0-1000 min ⁻¹	0-1000 min ⁻¹
Брзина без оптоварување, втора брзина	0-3200 min ⁻¹	0-3200 min ⁻¹	0-3200 min ⁻¹
Брзина при максимално оптоварување, прва брзина	0-680 min ⁻¹	0-680 min ⁻¹	0-680 min ⁻¹
Брзина при максимално оптоварување, втора брзина	0-2100 min ⁻¹	0-2100 min ⁻¹	0-2100 min ⁻¹
Јачина на удар максимално под оптоварување	40 000 min ⁻¹	40 000 min ⁻¹	40 000 min ⁻¹
Статички момент на блокирање*	56/30 Nm	56/30 Nm	60/33 Nm
Капацитет на дупчење во бетон	20 mm	20 mm	22 mm
Капацитет на дупчење во тули и плочки	22 mm	22 mm	24 mm
Капацитет на дупчење во челик	13 mm	13 mm	16 mm
Капацитет на дупчење во дрво	40 mm	40 mm	40 mm
Опсег на отворање на бушотина	1,5-13 mm	1,5-13 mm	1,5-13 mm
Возен крак	1/2" x 20	1/2" x 20	1/2" x 20
Дијаметар на вратот на врв.	43 mm	43 mm	43 mm
Тежина според ЕПТА-процедурата 01/2003	2,8 kg	2,8 kg	2,9 kg
Информација за бучавата/вибрациите			
Измерените вредности се одредени согласно стандардот EN 60 745. А-оценетото ниво на бучава на апаратот типично изнесува:			
Ниво на звучен притисок. (Несигурност K=3dB(A))	98 dB (A)	98 dB (A)	96 dB (A)
Ниво на јачина на звук. (Несигурност K=3dB(A))	109 dB (A)	109 dB (A)	107 dB (A)
Носте штитник за уши.			
Вкупни вибрациски вредности (векторски збир на трите насоки) пресметани согласно EN 60745.			
Дупчење во метал:			
Вибрациска емисиона вредност a _{h,D}	7,6 m/s ²	7,6 m/s ²	10,0 m/s ²
Несигурност K=	1,5 m/s ²	1,5 m/s ²	1,5 m/s ²
Перкусиско дупчење во бетон			
Вибрациска емисиона вредност a _{h,D}	17,1 m/s ²	17,1 m/s ²	17,8 m/s ²
Несигурност K=	1,5 m/s ²	1,5 m/s ²	1,5 m/s ²

* Мери во зависност од Milwaukee норма N 877318

ПРЕДУПРЕДУВАЊЕ

Нивото на осцилација наведено во овие инструкции е измерено во согласност со мерните постапки нормирани во EN 60745 и може да биде употребено за меѓусебна споредба на електро-алати. Ова ниво може да се употреби и за привремена проценка на оптоварувањето на осцилацијата.

Наведеното ниво на осцилација ги репрезентира главните намени на електро-алатот. Но, доколку електро-алатот се употребува за други намени, со отстапувачки податоци или со несоодветно одржување, нивото на осцилација може да отстапи. Тоа може значително да го зголеми оптоварувањето на осцилацијата за време на целиот работен период.

За прецизна проценка на оптоварувањето на осцилацијата предвид треба да бидат земени и времињата, во коишто апаратот е исклучен или работи, но фактички не се употребува. Тоа може значително да го намали оптоварувањето на осцилацијата за време на целиот работен период

Утврдете дополнителни безбедносни мерки за заштита на операторот од влијанието на осцилациите, како на пример: одржување на електро-алатот и на податоци кон електро-алатот, одржување топли раце, организација на работните процеси.



ПРЕДУПРЕДУВАЊЕ! Прочитајте ги сите безбедносни упатства и инструкции. Заборавање на почитувањето на безбедносните упатства и инструкции можат да предизвикаат електричен удар, пожар и/или тешки повреди.
Сочувајте ги сите безбедносни упатства и инструкции за во иднина.



БЕЗБЕДНОСНИ УПАТСТВА ЗА БОР-МАШИНИ

При работата со перкусионата бормашина носете заштита за ушите. Влијанието на бука може да предизвика губење на сетилото за слух.

Користете помошни рачки кои доаѓаат заедно со алатот. Губењето контрола може да предизвика повреда.

Држете го електричниот алат за издадените површини при изведување на операции при кои алатот за сечење можат да дојдат во контакт со скриени жици или сопствениот гајтан. Контакт со жица под напон исто така ќе направи проводници од металните делови и оној кој ракува со алатот ќе доживее струен удар.

Останати безбедносни и работни упатства

Употребувајте заштитна опрема. При работа со машината постојано носете заштитни очила. Се препорачува заштитна облека како: маска за заштита од прашина, заштитни ракавици, цврсти чевли што не се лизгаат, кацига и заштита за уши.

Чувајте го кабелот за напојување подалеку од работната површина. Секогаш водете го кабелот позади вас.

Не смеат да бидат обработувани материјали кои што можат да го загорзат здравјето (на пр. азбест).

Кога работите на сидови, таван или под внимавајте да ги избегнете електричните, гасните и водоводни инсталации.

Обезбедете го предметот кој што го обработувате со направа за напон. Необезбедени парчиња кои што се обработуваат можат да предизвикаат тешки повреди и оштетувања.

Не употребувајте дупчалки со дијамантско јадро при ударниот модусот.

Доколку употребуваното орудие се блокира, молиме веднаш да се исклучи апаратот! Не го вклучувајте апаратот повторно додека употребуваното орудие е блокирано; притоа би можело да дојде до повратен удар со висок момент на реакција. Испитајте и отстранете ја причината за блокирањето на употребеното орудие имајќи ги во предвид напомените за безбедност.

Можни причини би можеле да се:

- Закантување во парчето кое што се обработува
- Кршење поради продирање на материјалот кој што се обработува
- Преоптоварување на електричното орудие

Не фаќајте во машината кога работи.

Употребеното орудие за време на примената може да стане многу жешко.

ПРЕДУПРЕДУВАЊЕ!! Опасност од изгоретини

- при менување на орудието
- при ставање на апаратот на страна

Прашината и струготините не смеат да се одстрануваат додека е машината работи.

Пред да започнете да работите на машината, повлечете го приклучокот надвор од штекерот.

СПЕЦИФИЦИРАНИ УСЛОВИ НА УПОТРЕБА

Дупчалката/шрафцигерот може да биде универзално користен за дупчење и перкусиско дупчење.

Не го користете овој производ на било кој друг начин освен пропишаниот за нормална употреба.

ЕУ-ДЕКЛАРАЦИЈА ЗА СООБРАЗНОСТ

Во своја сопствена одговорност изјавуваме дека под „Технички податоци“, опишаниот производ е во склад со сите релевантни прописи од регулативата 2011/65/EU (RoHS), 2004/108/EC, 2006/42/EC и следните хармонизирачки нормативни документи:

EN 60745-1:2009 + A11:2010

EN 60745-2-1:2010

EN 55014-1:2006 + A1:2009 + A2:2011

EN 55014-2:1997 + A1:2001 + A2:2008

EN 61000-3-2:2006 + A1:2009 + A2:2009

EN 61000-3-3:2008



Winnenden, 2014-04-24

Alexander Krug / Managing Director

Ополномоштен за составување на техничката документација.

Techtronic Industries GmbH

Max-Eyth-Straße 10, 71364 Winnenden, Germany

ГЛАВНИ ВРСКИ

Уредите кои се користат на многу различни локации вклучувајќи и отворен простор мора да бидат поврзани за струја преку направата за поврзување (FI, RCD, PRCD).

Да се спои само за една фаза АС коло и само на главниот напон наведен на плочката. Можно е исто така и поврзување на приклучок без заземјување доколку изведбата соодветствува на безбедност од 2 класа.

Бидете сигурни дека машината е исклучена пред да ја вклучите во струја.

ОДРЖУВАЊЕ

Вентилациските отвори на машината мора да бидат комплетно отворени постојано.

Доколку машината воглавном се користи за удирачко дупчење, редовно чистете ја насобраната прашина од продолжетокот. За да го направите тоа држете ја машината свртена со главата надолу вертикално и потполно отворете ја и затворете ја главата. Насобраната прашина ќе падне од неа. Се препорачува редовно користење на клинер за стегите и затегачите.

Доколку приклучиот мрежен вод е оштетен, во тој случај тој мора да биде заменет од службата за клиенти заради избегнување опасност.

Користете само Milwaukee додатоти и резервни делови. Доколку некои од компонентите кои не се опишани треба да бидат заменети, Ве молиме контактирајте ги сервисните агенти на Milwaukee (консултирајте ја листата на адреси).



Mak

При потреба може да се побара експлозионен цртеж на апаратот со наведување на машинскиот тип и шестоцифрениот број на табличката со учинокот или во Вашата корисничка служба или директно кај Techtronic Industries GmbH, Max-Eyth-Straße 10, 71364 Winnenden, Германија.

СИМБОЛИ



ВНИМАНИЕ! ПРЕДУПРЕДУВАЊЕ! ОПАСНОСТ!



Пред да започнете да работите на машината, повлечете го приклучокот надвор од штекерот.



Ве молиме пред да ја стартувате машината обрнете внимание на упатствата за употреба.



Дополнителна опрема - Не е вклучена во стандардната, а достапна е како додаток.



Електричните апарати не смеат да се фрлат заедно со домашниот отпад. Електричните и електронските апарати треба да се собираат одделно и да се однесат во соодветниот погон заради нивно фрлање во склад со начелата за заштита на околината. Информирајте се кај Вашите местни служби или кај специјализираниот трговски претставник, каде има такви погони за рециклажа и собирни станици.



Електрично орудие од заштитната категорија II
Електрично орудие чијашто заштита од електричен удар не зависи само од основната изолација туку и од тоа дали ќе се применат дополнителните заштитни мерки како што се двоструките изолации или појачаната изолација.



CE-знак



技术数据 震动电钻	PD2E 22 R (110 V)	PD2E 22 R (220-240 V)	PD2E 24 R (220-240 V)
生产号	4195 91 01... ... 000001-999999	4195 71 01... ... 000001-999999	4195 96 01... ... 000001-999999
输入功率	800 W	850 W	1020 W
输出功率	430 W	460 W	540 W
无负载转速, 第 1 档	0-1000 min ⁻¹	0-1000 min ⁻¹	0-1000 min ⁻¹
无负载转速, 第 2 档	0-3200 min ⁻¹	0-3200 min ⁻¹	0-3200 min ⁻¹
最高负载转速, 第 1 档	0-680 min ⁻¹	0-680 min ⁻¹	0-680 min ⁻¹
最高负载转速, 第 2 档	0-2100 min ⁻¹	0-2100 min ⁻¹	0-2100 min ⁻¹
负载撞击次数最大	40 000 min ⁻¹	40 000 min ⁻¹	40 000 min ⁻¹
静态阻滞扭力*	56/30 Nm	56/30 Nm	60/33 Nm
钻孔直径在混凝土	20 mm	20 mm	22 mm
钻孔直径在砖块和石灰砂石	22 mm	22 mm	24 mm
钻孔直径在钢材	13 mm	13 mm	16 mm
钻孔直径在木材	40 mm	40 mm	40 mm
夹头张开范围	1,5-13 mm	1,5-13 mm	1,5-13 mm
主轴	1/2" x 20	1/2" x 20	1/2" x 20
夹头颈直径	43 mm	43 mm	43 mm
重量符合EPTA - Procedure01 / 2003	2,8 kg	2,8 kg	2,9 kg
噪音/振动信息 本测量值符合 EN 60704-1 条文的规定。器械的标准A-值噪音级为:			
## 音压值 (K-不可靠性=3dB(A))	98 dB (A)	98 dB (A)	96 dB (A)
## 音量值 (K-不可靠性=3dB(A))	109 dB (A)	109 dB (A)	107 dB (A)
请戴上护耳罩!			
依欧盟EN 60745 标准确定的振荡总值(三方向矢量和)。			
金属钻孔:			
ah-振荡发射值 a _{h,D}	7,6 m/s ²	7,6 m/s ²	10,0 m/s ²
K-不可靠性=	1,5 m/s ²	1,5 m/s ²	1,5 m/s ²
混凝土冲击式穿孔			
ah-振荡发射值 a _{h,1D}	17,1 m/s ²	17,1 m/s ²	17,8 m/s ²
K-不可靠性=	1,5 m/s ²	1,5 m/s ²	1,5 m/s ²

* 根据 Milwaukee N 877318 号检验标准所测得

注意

本规程列出的依欧盟EN 60745 标准一项标准测量方法测量的振荡级也可用于电动工具比较并适合于临时振荡负荷估计。
该振荡级代表电动工具的主要应用。电动工具的其他应用，不正确的工作工具或缺乏维护可造成振荡级偏差。此可明显提高总工作期间的振荡负荷。
正确地估计一定工作期间的振荡负荷也要考虑到工具关闭或接通而不使用的期间。此可明确减少总工作期间的振荡负荷。
为提高操作人员对振荡作用的保护得规定补充安全措施：电动工具及工作工具的维护，温手，工作过程组织等。



警告! 阅读所有警告和所有说明。不遵照以下警告和说明会导致电击、着火和/或严重伤害。保存所有警告和说明书以备查阅。

钻机的安全提示

使用震动钻功能时，请戴上护耳罩。所发生的噪声会导致听力损失。

使用包含在供货范围中的辅助把手。如果工作时无法正确操控机器，容易造成严重的伤害。

切割工具会碰到隐藏电线或自己的电缆时，得将器械握住于其绝缘把手表面。得将器械握住于其绝缘把手表面。

其它安全和工作指示

使用防护装备。操作机器时务必佩戴护目镜。最好也使用下列的防护装备，例如防尘面具、护手套、坚固而且防滑的工作鞋、安全头盔和耳罩等。

电源线必须远离机器的作业范围。操作机器时电线必须摆在机身后端。

严禁加工会导致健康危险的材料（石棉等）。

在墙壁、天花板或地板工作时，必须特别注意被隐藏的电线、瓦斯管和水管。

应通过夹紧装置锁定工件。未锁定工件会导致重伤和损坏。

使用金刚石空心钻头作业时，必须关闭冲击体。

施工工具被卡住时，请及时关闭机器！为避免高反作用力矩，施工工具被卡住时不要重新接通机器。应按照安全提示查找并排除施工工具卡住的原因。

有下列可能原因：

- 工具斜卡在要加工工件中
- 要加工材料的破裂
- 电动工具超载

手指不要接近运行中的机器。

进行工作时，被操作施工工具会发热。

警告!! 烧伤危险

- 更换工具时
- 放下机器时

如果机器仍在运转，切勿清除其上的木屑或金属碎片。

在机器上进行任何修护工作之前，务必从插座上拔出插头。

正确地使用机器

本震动电钻功能广泛，包括正常钻和震动钻。请依照本说明书的指示使用此机器。

电源插头

户外插座必须连接剩余电流防护开关。这是使用电器用品的基本规定。使用本公司机器时，务必遵守这项规定（FI, RCD, PRCD）。

只能连接单相交流电，只能连接机器铭牌上规定的电压。本机器也可以连接在没有接地装置的插座上，因为本机器的结构符合第II级绝缘。

确定开关已经关闭了，才可以把插头插入插座。

维修

机器的通气孔必须随时保持清洁。

如果经常使用震动钻功能，则必须定期清除夹头上的污垢。清理污垢时必须垂直地竖起机器并让夹头朝下，接着先把夹头放开到最大然后再收紧紧夹头，如此一来堆积的污垢便会从夹头中掉落出来。最好定期在夹爪和夹爪上的孔喷洒清洁剂。为避免发生危险，应在服务中心更换损坏的供电电缆。

只能使用 Milwaukee 的配件和 Milwaukee 的零件。缺少检修说明的机件如果损坏了，必须交给 Milwaukee 的顾客服务中心更换（参考手册“保证书/顾客服务中心地址”）。

如果需要机器的分解图，可以向您的顾客服务中心或直接向 Techtronic Industries GmbH, Max-Eyth-Straße 10, 71364 Winnenden, Germany 联络。案件时必须提供以下资料：机型和机器铭牌上的六位数字码。

符号



请注意!警告!危险!



在机器上进行任何修护工作之前，务必从插座上拔出插头。



使用本机器之前请详细阅读使用说明书。



配件 - 不包含在供货范围中。请另外从配件目录选购。



电气工具必须与生活垃圾分开处理。电气机器和电子机器必须单独分开收集并送到回收站以确保符合环境保护的处理。有关回收站和收集站的细节，请与主管当局或您的专业经销商联络。



保护等级II工具 具有不只依赖于基本绝缘，但依赖于双重或强化绝缘等保护措施电击保护的电动工具。



欧洲共同体标志

Copyright 2014

Techtronic Industries GmbH
Max-Eyth-Straße 10
71364 Winnenden
Germany

+49 (0) 7195-12-0



(04.14)

4931 4250 56