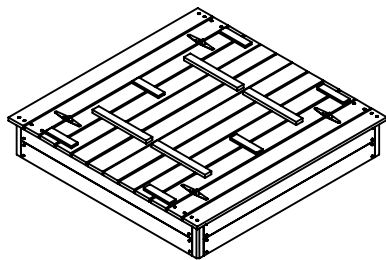


121313

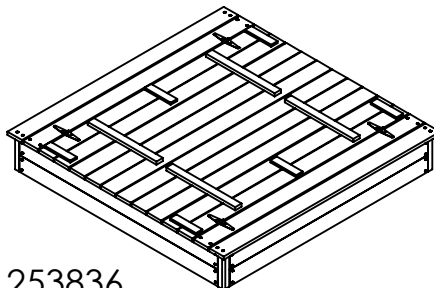
1200x1200mm



253837

121414

1400x1400mm

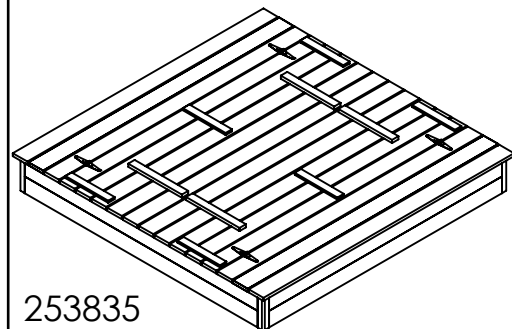


253836


121619



1/2



1600x1600mm





253835


1  x4


1  x4 1a  x4

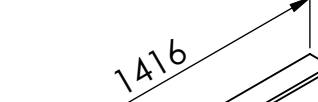
1  x4 1a  x4

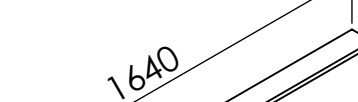
2  x8

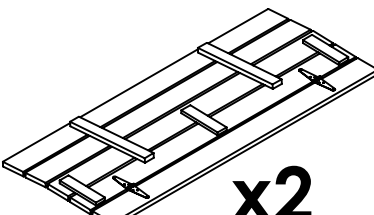
2  x8

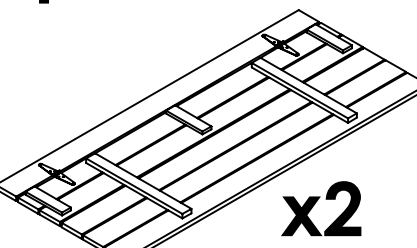
2  x8

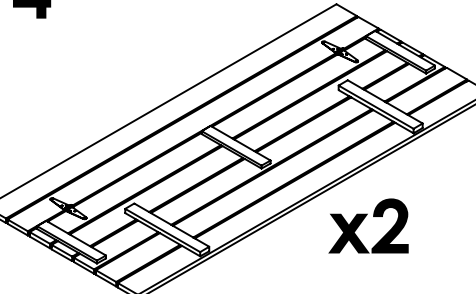
3  x2

3  x2


3  x2


4  x2


4  x2


4  x2

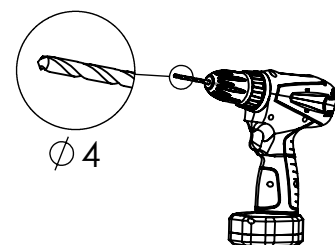
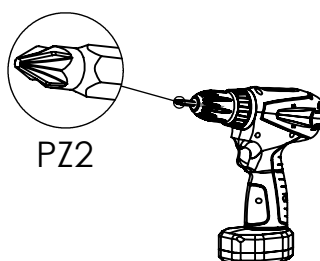
A  3,5x40 x48

A  3,5x40 x48

A  3,5x40 x48

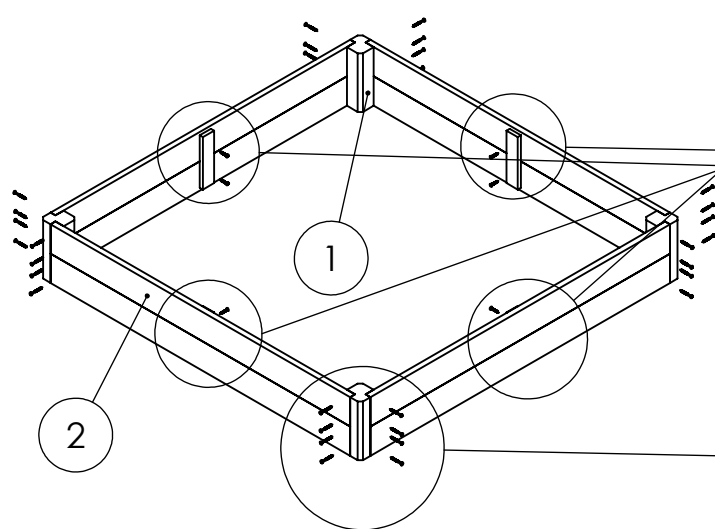
B  3,5x25 x8

B  3,5x25 x8

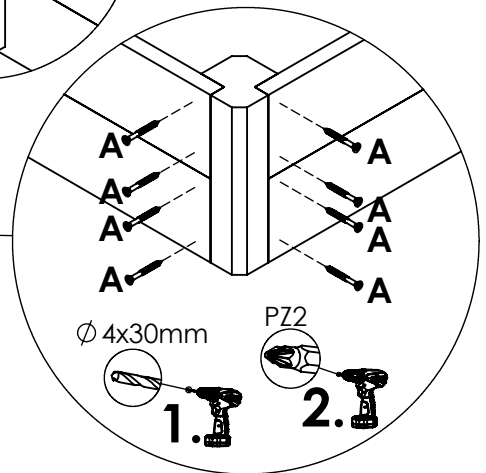
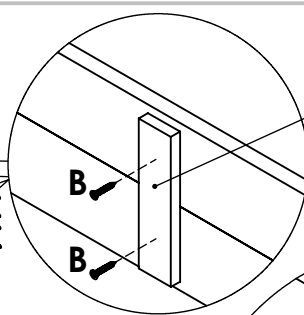


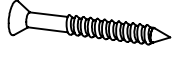

1

2 / 2

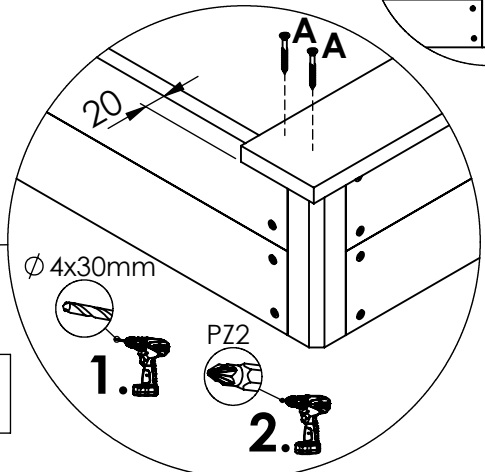
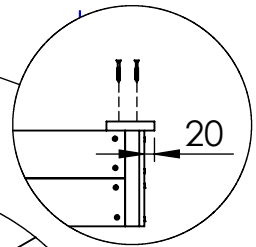
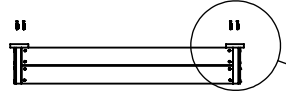
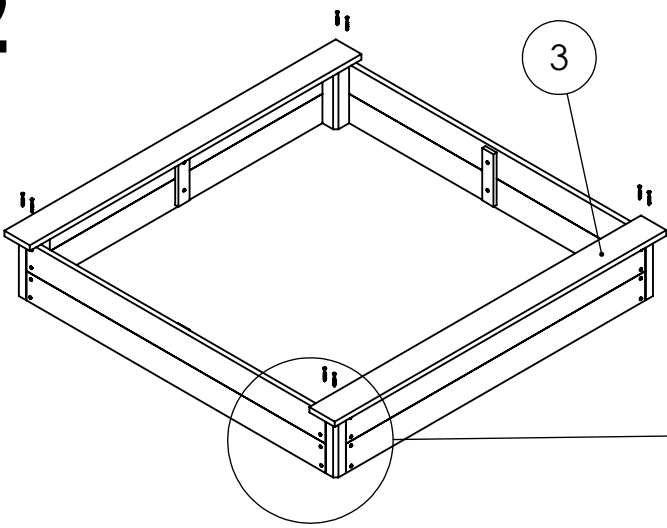



1a ~~121313~~
121414
121619



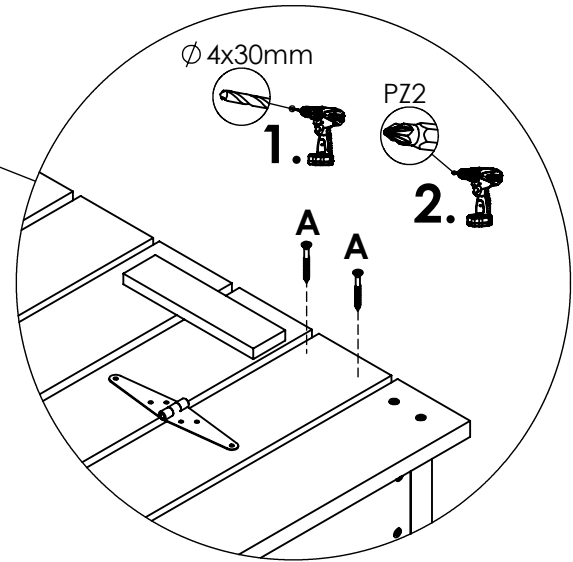
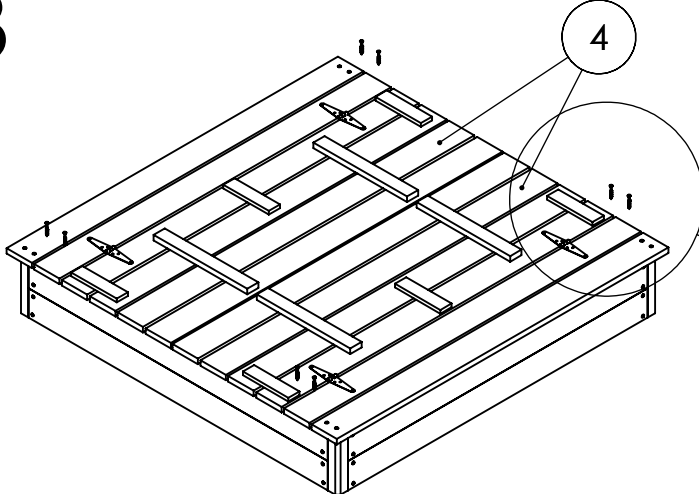
A		3,5x40	x32
B		3,5x25	x8

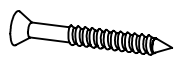
2



A		3,5x40	x8
----------	---	---------------	-----------

3



A		3,5x40	x8
----------	---	---------------	-----------