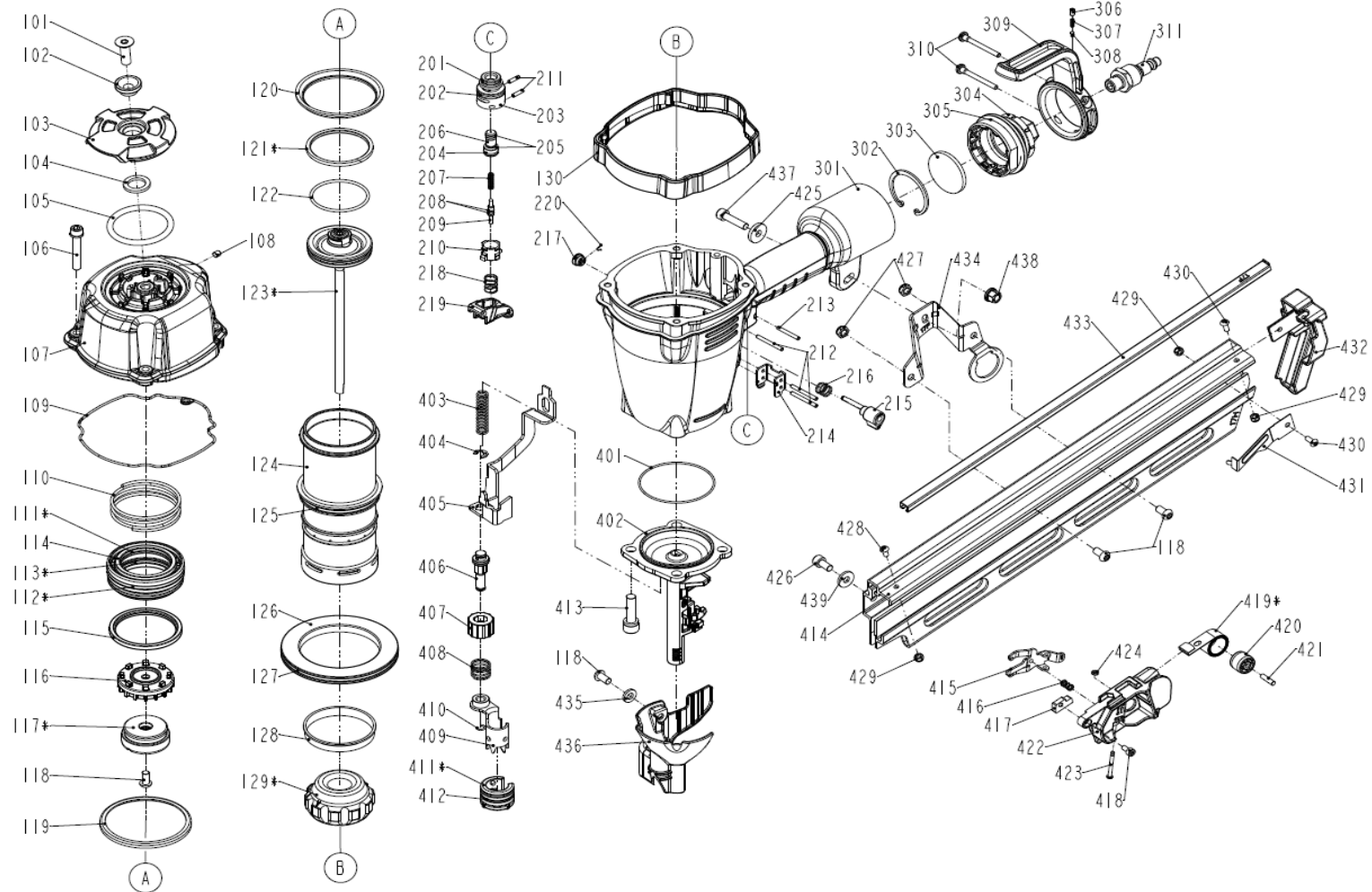


Framing nailer ESSVE FN 17/90



Framing nailer ESSVE FN 17/90

Pos	Art. Nr.	Name	Pos	Art. Nr.	Name	Pos	Art. Nr.	Name	Extras:		
101	2040103050102	COUNTER SUNK SCREW	209		PLUNGER	416		SPRING			
102	1136B03747011	DEFLECTOR PAD	210		TRIGGER VALVE HEAD	417		SQUARE UNITS			
103	1137103747071	DEFLECTOR	211		SPRING PIN	418		HEX.SOC.HD.BOLT			
104	1135G03747011	RUBBER PAD	212		SPRING PIN	419*		SPRING			
105	1132P03700021	MUFFLER ASSY	213		SPRING PIN	420		ROLLING ELEMENT	Service kits:		
106		BOLT ASSY	214		SAFETY GUIDE	421		ROLL PIN	901071		Service kit
107		CAP	215		HINGE POINT	422		PROTECTING HOOD COVER	901075		Driver kit
108		HEX.SOC.HD.SCREW	216		SPRING	423		TRIGGER PIVOT PIN	901073		No mark set
109		CYLINDER CAP SEAL	217	1131M03747011	LOCATING WHEEL	424	1131D04600011	URETHANE RETAINER	901079		Latch kit
110		COMPRESSION SPRING	218	1137603700011	SPRING	425		FLAT WASHER	901069		Trigger valve kit
111*		O - RING	219	1122403700011	TRIGGER UNIT	426		HEX.SOC.HD.BOLT	901193		Trigger switch kit
112*		O - RING	220	1131C03700011	RING	427		LOCK NUT			
113*		O - RING	301		GUN BODY UNIT	428		HALF ROUND HD.HEX.BOLT			
114		HD.VALVE PISTON	302		C - RING	429		LOCK NUT			
115		COLLAR	303		FILTER	430		HALF ROUND HD.HEX.BOLT			
116		VALVE	304	11346037A1031	END CAP	431		STOP NAIL PLATE			
117*	1137003700041	SEAL	305	2041108050400	O - RING	432		PROTECTING HOOD COVER			
118		HALF ROUND HD.HEX.BOLT	306	2040104020200	HEX.SOC.HD.SCREW	433		STEEL CHANNEL			
119		PRESS RING	307	1434700300011	POSITIONING SPRING	434		POSITIONING SHEET			
120		PRESS RING	308	1136C00847011	POSITIONING SHAFT	435		FLAT WASHER			
121*		PISTON RING	309	1133D03747031	SPRING RETAINER	436		SAFETY COVER			
122		O - RING	310		SCREW	437		HEX.SOC.HD.BOLT			
123*		DRIVER UNIT	311		AIR PLUG	438		BOLT CAP			
124		CYLINDER	401		O - RING	439		FLAT WASHER			
125		O - RING	402		NOSE PIECE						
126		CYLINDER SPACER	403		SAFETY SPRING						
127		O - RING	404		E - RING						
128		CYLINDER RING	405		SAFETY B						
129*		BUMPER	406		ADJUST ROD UNIT						
130		PROTECTIVE CUSHION	407		ADJUST AXIE						
201		O - RING	408		SAFETY SPRING A						
202		O - RING	409		SAFETY A						
203		PLUNGER CAP	410		RING						
204		O - RING	411*		PROTECTIVE CASING						
205		O - RING	412		FIXED RING						
206		VALVE PLUNGER	413		BOLT ASSY						
207		SPRING	414		MAGAZINE A						
208		O - RING	415		PUSHER						

