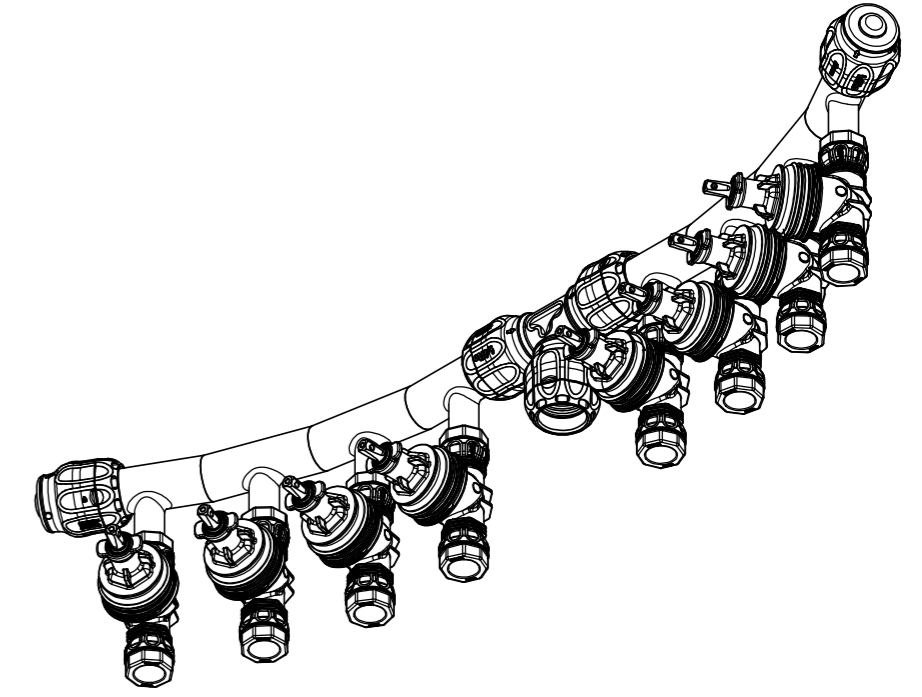
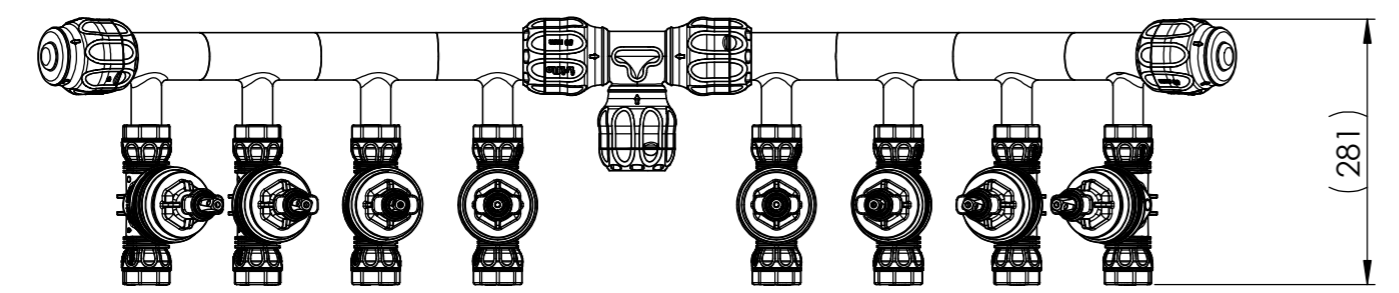
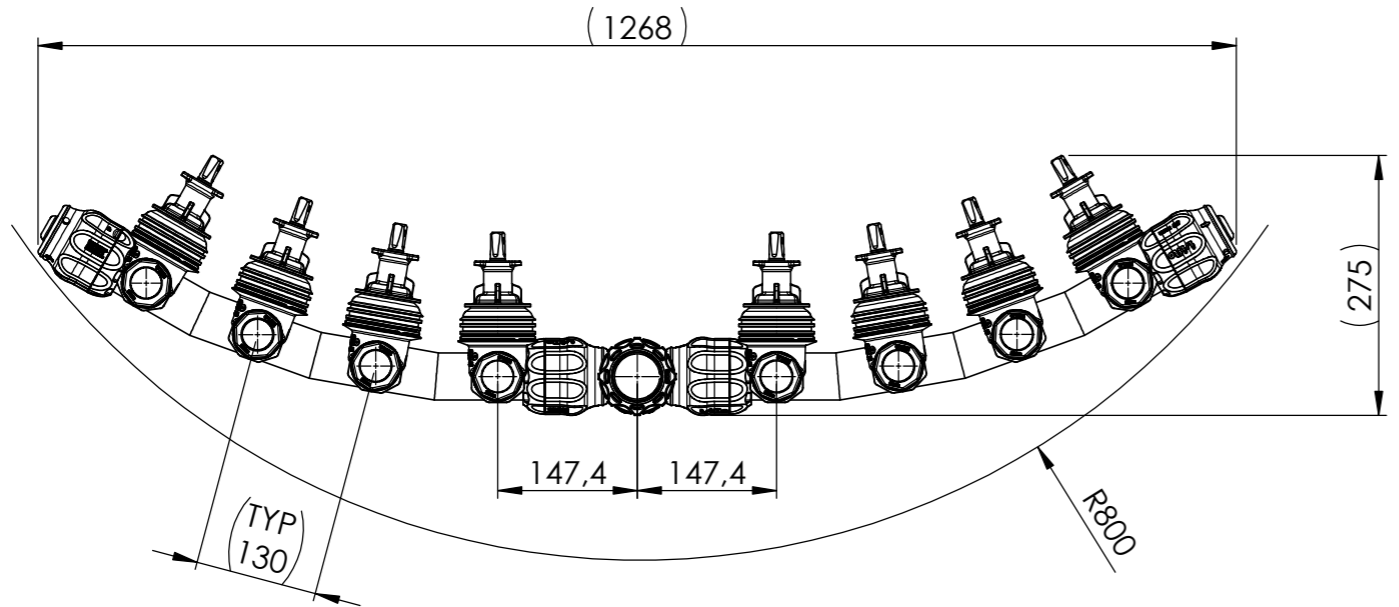


REV.	DESCRIPTION	ECO (Y/N)	REVISION BY / DATE	APPROVED BY / DATE
-	Prototype drawing. Not for production!		JSB / 22.03.04	AMU / 22.03.04



TOTAL WEIGHT ASSEMBLY [g]: 14295.64		NOTE:	
CAD:	GENERAL TOLERANCE	SCALE	FINISH
		1:8	
<small>This drawing is property of ISIFLO AS. The right to use this drawing / description belongs to ISIFLO AS. The drawing must not be copied, distributed or submitted to persons not concerned.</small>	DESIGNER / DATE	Jonas Solhaug Bossum / 22.04.08	
	PART & DIMENSION:	Type 250 Manifold Ø1600 - 8 valves	
	PRODUCT GROUP:	Isiflo ECO LINE	
		ARTICLE / DRAWING NUMBER:	REV.:
		Type 255 måltegnig	-
		REFERENCE DRAWING:	SHEET 1 OF 1
			A3

A
B
C
D
E
F

1 2 3 4 5 6 7 8