

AGILIUM

Short Double Branch 45°



DESCRIPTION

Part of the standard range, the AGILIUM 45° double branch for lateral connection of two pipes to the main pipe for conveying fluid waste and rainwater through buildings. The AGILIUM cast iron fittings weigh 15% less than those in the standard S range and their reduced dimensions allow space savings. They are coated by cataphoresis and are fully and indefinitely recyclable. Assembly is mechanical, using PAM couplings.

RECOMMENDED USE

- Wastewater
- Rainwater

STANDARDS & APPROVALS

- Industry Product Standards:
 - EN877
 - NF marking
- Range reaction to fire : Euroclass A1

Material & Coatings

- Cast Iron
- Coating: red-brown, anti-corrosive cataphoresis epoxy, average dry film thickness 70 µm.

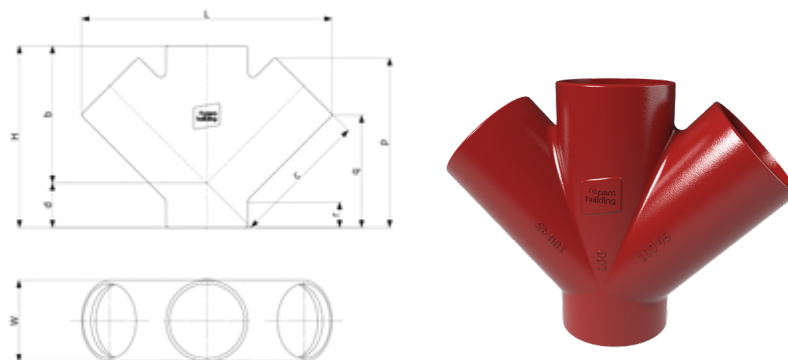
TECHNICAL FEATURES

- Hot water resistance: 24h at 95°C.
- Thermal cycle resistance: 1500 cycles between 15°C and 93°C.
- Chemical resistance for $2 \leq \text{pH} \leq 12$ at room temperature.
- Salt spray resistance internal coating: more than 350 h.

ENVIRONMENTAL DATA

- Percentage of Recycled Content: 99 %
- Recycling Information: Cast iron is 100% recyclable through the existing recycling industrial network. Data source: Environmental Product Declaration S-P-02013





DN	dn	L	H	W	b	c	d	p	q	r	Weight	Product Code
100	100	337	245	110	185	185	60	230	152	35	3.7	283871

All dimensions are in mm and nominal weights are in kg

This document is provided for information purposes only and our company reserves the right to modify the information contained herein at any time. Our company declines all responsibility in the event of the use or installation of materials that do not comply with the rules prescribed in this document as well as with the standards, the technical documents and the applicable professional standards. Any orders placed will be subject to our General Terms and Conditions of Sale, available on request. The drawings and/or images are the exclusive property of Saint-Gobain PAM and are confidential. They must not be reproduced or disclosed to any third party without written consent. They may only be used for the purpose for which they were issued and are returnable on request.

Saint-Gobain PAM Bâtiment

21 avenue Camille Cavalier - BP 129 • 54705 • PONT-À-MOUSSON • France • Tel: +33 (0) 3 66 74 00 89 • Email: tcbatiment.sgpam@saint-gobain.com • www.pambuilding.com
Société par action simplifiée au capital de 6 812 970,75€ • SIREN 799 283 882 • RCS NANCY