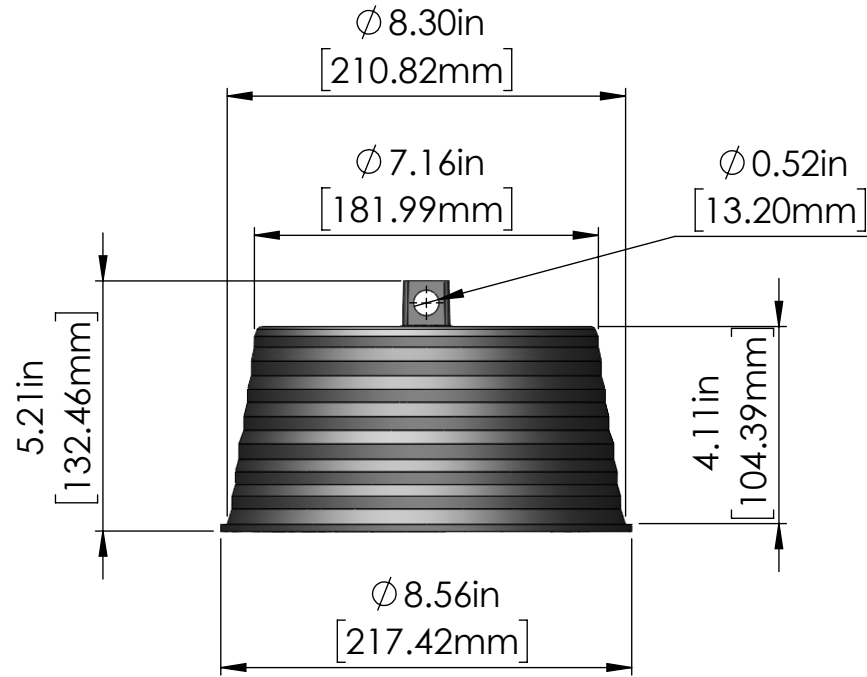
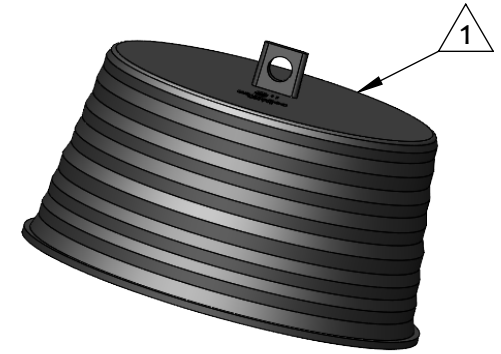
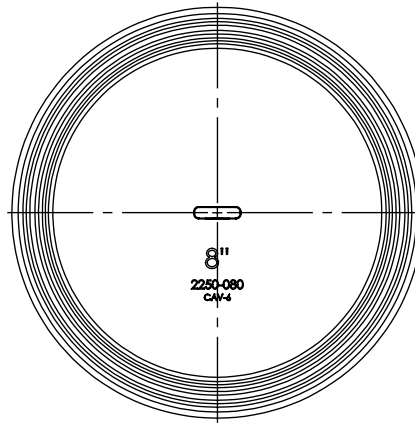
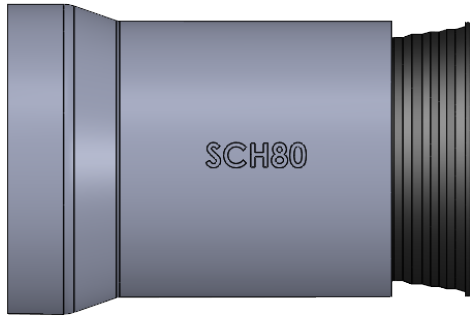
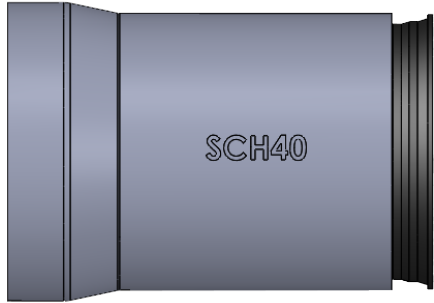


CONDUIT ID RANGE	APPLICABLE 8" [200mm] CONDUIT
7.21" - 8.30" [183.13 mm - 210.82mm]	PVC SCH 40 PVC SCH 80

Applicable conduit types based on product's conduit ID range meeting or exceeding conduit ID dimensions specified in one or more of following standards: UL651, UL651A, ASTM F2160, NEMA TC 6 & 8



NOTES:

1 Material: LDPE, Black

TITLE	POLY PLUG 8" 200mm		
PROPRIETARY AND CONFIDENTIAL THE INFORMATION CONTAINED IN THIS DRAWING IS THE SOLE PROPERTY OF CAL AM MANUFACTURING. ANY REPRODUCTION IN PART OR AS A WHOLE WITHOUT THE WRITTEN PERMISSION OF CAL AM MANUFACTURING IS PROHIBITED.	DRAWN	JC.MORENO	DATE: 05/09/2023
	DRAWING NO.	2250-080 MKT	UNLESS OTHERWISE SPECIFIED DIMENSIONS ARE IN INCHES TOLERANCES: X±0.1 X.X±0.05 X.XX±0.030 X.XXX±0.020
	REVISION	A	
	SCALE:	1:4	PRODUCT NUMBER:



SHEET 1 OF 1