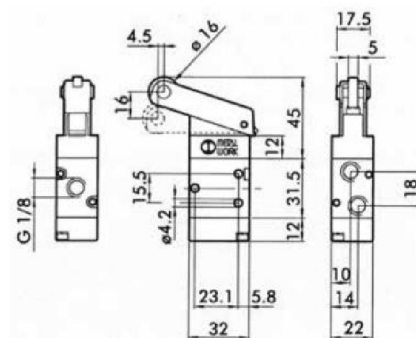


MANUELLE RETNINGSVENTILER / MANUAL DIRECTIONAL CONTROL VALVES

Function SH152
Hand push valve 5/2 with 2 stable positions



MANUELLE RETNINGSVENTILER / MANUAL DIRECTIONAL CONTROL VALVE
HS CODE INT. 8503.00

Vare nr./Part no.	Benevnelse/Designation
5520907	Manuell retn. vent. 5/2x1/4" m/spak, stabil stilling SH152
5520908	Manuell retn. vent. 3/2x1/8" m/arm og hjul, MEV 23BRS

OVERGANGER FOR SPINDEL / ADAPTORS FOR SPINDLE



ADAPTER / ADAPTOR
HS CODE INT. 8412.39

Stjerne-adapater		Firkant-adapater		U-adapater for dobbel-D	
Vare nr./Part no.	Størrelse mm./Size mm.	Vare nr./Part no.	Størrelse mm./Size mm.	Vare nr./Part no.	Størrelse mm./Size mm.
5519829	11x9x12	5519848	11 - 9	595251	14 - 9,5
5519831	14x11x16	5519849	14 - 11	-	-
5519832	14x9x15	-	-	-	-
5519833	17x14x19	5519851	17 - 14	595252	17 - 11,1
5519834	17x11x19	-	-	595253	17 - 12,7
5519835	19x17x21	-	-	-	-
5519836	19x14x21	-	-	-	-
5519837	19x11x21	-	-	595254	19 - 12,7
5519838	22x19x24	5519853	22 - 19	-	-
5519839	22x17x24	5519852	22 - 17	-	-
5519841	22x14x24	-	-	-	-
5519842	27x22x29	5552171	27 - 22	-	-
5519843	27x19x29	-	-	-	-
5519844	27x17x29	-	-	-	-
5519845	36x27x36	-	-	-	-
5519846	36x22x36	-	-	-	-
5519847	36x19x36	-	-	-	-