

# Göpfert AG

## Valves and Fittings for Industry and Shipbuilding

Industriestraße  
D-25795 Weddingstedt

Germany

Phone +49 (481) 903-0



**ahlsell**

## STENGEVENTIL - RETTLØP RG.5 / GLOBE VALVE - STRAIGHT RG.5

PN 16, Göpfert AG

## BESKRIVELSE:

Stengeventil, rettløp, med innvendige BSP-gjenger. Gjenget overdel med låsemutter. Metalltettende.

## ANVENDELSOMRÅDE:

Sjøvann, vann, olje og ikke aggressive væsker. For varmt sjøvann anbefales spindel av CuSn8. Maks temp. 225°C.

## VARIANTER:

Løs kjegle (SDNR), reguleringskjegle m.m

## DESCRIPTION:

Screw-down globe valve. Straight type with female screwed ends. Screwed and secured bonnet. Metal sealing.

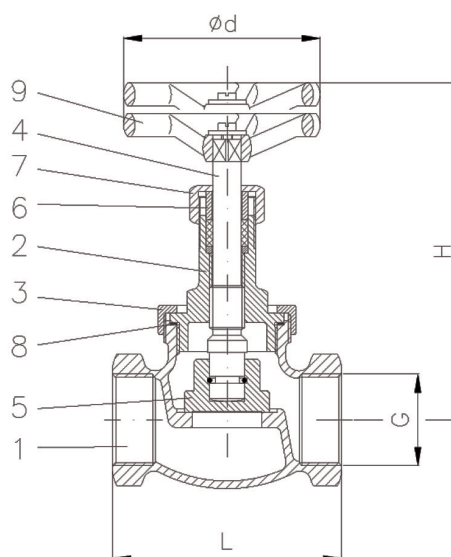
## APPLICATION:

Seawater, water, oil and non aggressive liquids. For warm sea water it is recommended to employ the execution with a stem of zincfree bronze, CuSn8. Max temperature 225°C.

## ALTERNATIVES:

Non return disc, parabolic disc etc.

11



Nr	Detalj/Part name	Materiale/Material
1	Hus/Body	Rg 5/Cu Sn 5 Zn5 Pb 5-C EN 1982
2	Overdel/Bonnet	(DN 8-32) Rg 7/Cu Sn 7 Zn Pb EN 1766
3	Låsmutter/Locking Nut	Rg 5/Cu Sn 5 Zn5 Pb 5-C EN 1982
4	Spindel/Stem	So Ms 59/Cu Zn 35 Ni 3 Mn 2 Al Pb EN 12163
5	Kjegle/Disc	(DN 8-50) Rg 7/Cu Sn 7 Zn Pb EN 1766
6	Gland/Gland	Ms 58/Cu Zn 39 Pb 3 EN 12164
7	Pakkboksmutter/Gland Nut	Ms 58/Cu Zn 39 Pb 3 EN 12164
8	Tetning/Sealing	PTFE/PTFE
9	Ratt/Hand Wheel	GG/EN-GJL-200 EN 1561

HS CODE INT. 8481.80

Gjenger Threads	Vare nr. Part no. Fixed	Vare nr. Part no. SDNR	Vare nr. Part no. parabolic	Bar 100°C	Bar 225°C	L mm	H mm	Ød mm	Vekt Weight Kg
1/4"			-	16	10	60	95	60	0,4
3/8"				16	10	60	95	60	0,5
1/2"				16	10	65	95	60	0,5
3/4"				16	10	75	110	80	0,7
1"				16	10	90	115	80	1,2
1 1/4"				16	10	105	135	90	1,6
1 1/2"				16	10	120	145	100	2,3
2"				16	10	145	165	120	3,4
2 1/2"			-	16	10	170	230	160	7,0
3"			-	16	10	200	250	200	12,0

Kan leveres med EN 10204- 3.1 sertifikat / Can be delivered with EN 10204- 3.1 certificate.

## STENGEVENTIL - VINKEL RG.5 / GLOBE VALVE - ANGLE RG.5

PN 16, Göpfert AG

### BESKRIVELSE:

Stengeventil, vinkel, med innvendige BSP-gjenger. Gjenget overdel med låsemutter. Metalltettende.

### ANVENDELSOMRÅDE:

Sjøvann, vann, olje og ikke aggressive væsker. For varmt sjøvann anbefales spindel av CuSn8. Maks temp. 225°C

### VARIANTER:

Løs kjegle (SDNR), reguleringskjegle m.m.

### DESCRIPTION:

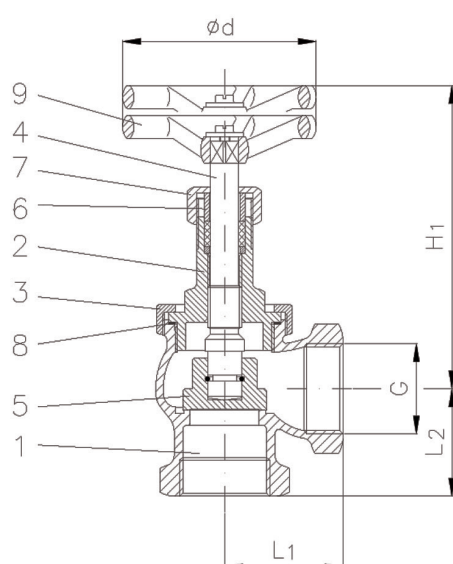
Screw-down globe valve. Angle type with female screwed ends. Screwed and secured bonnet. Metal sealing.

### APPLICATION:

Seawater, water, oil and non aggressive liquids. For warm sea water it is recommended to employ the execution with a stem of zincfree bronze, CuSn8. Max temperature 225°

### ALTERNATIVES:

Non return disc, parabolic disc etc



11

Nr	Detalj/Part name	Materiale/Material
1	Hus/Body	Rg 5/Cu Sn 5 Zn5 Pb 5-C EN 1982
2	Overdel/Bonnet	(DN 8-32) Rg 7/Cu Sn 7 Zn Pb EN 1766
3	Låsmutter/Locking Nut	Rg 5/Cu Sn 5 Zn5 Pb 5-C EN 1982
4	Spindel/Stem	So Ms 59/Cu Zn 35 Ni 3 Mn 2 Al Pb EN 12163
5	Kjegle/Disc	(DN 8-50) Rg 7/Cu Sn 7 Zn Pb EN 1766
6	Gland/Gland	Ms 58/Cu Zn 39 Pb 3 EN 12164
7	Pakkboksmutter/Gland Nut	Ms 58/Cu Zn 39 Pb 3 EN 12164
8	Tetning/Sealing	PTFE/PTFE
9	Ratt/Hand Wheel	GG/EN-GJL-200 EN 1561

HS CODE INT. 8481.80

Gjenger Threads	Vare nr. Part no. Fixed	Vare nr. Part no. SDNR	Bar 100°C	Bar 225°C	L1 mm	L2 mm	H1 mm	Ød mm	Vekt Weight Kg
1/4"			16	10	35	30	86	60	0,4
3/8"			16	10	35	30	86	60	0,5
1/2"			16	10	40	35	86	60	0,5
3/4"			16	10	45	40	100	80	0,7
1"			16	10	50	45	105	80	1,1
1 1/4"			16	10	55	50	120	90	1,6
1 1/2"			16	10	65	55	135	100	2,0
2"			16	10	75	65	150	120	3,5
2 1/2"			16	10	90	75	230	160	7,6
3"			16	10	110	90	250	200	12,0

Kan leveres med EN 10204- 3.1 sertifikat / Can be delivered with EN 10204- 3.1 certificate.

# STENGEVENTIL RETTLØP RG.5/SD.NR / GLOBE VALVE STRAIGHT RG.5/SD.NR

Göpfert AG

## BESKRIVELSE:

Stengeventil, rettløp, flenset. Metalltettende. Boltet overdel.

## ANVENDELSOMRÅDE:

Sjøvann, vann, olje og ikke aggressive væsker. For varmt sjøvann anbefales spindel av CuSn8. Max. temperatur 225°C. Dimensjoner over DN150 på forespørsel.

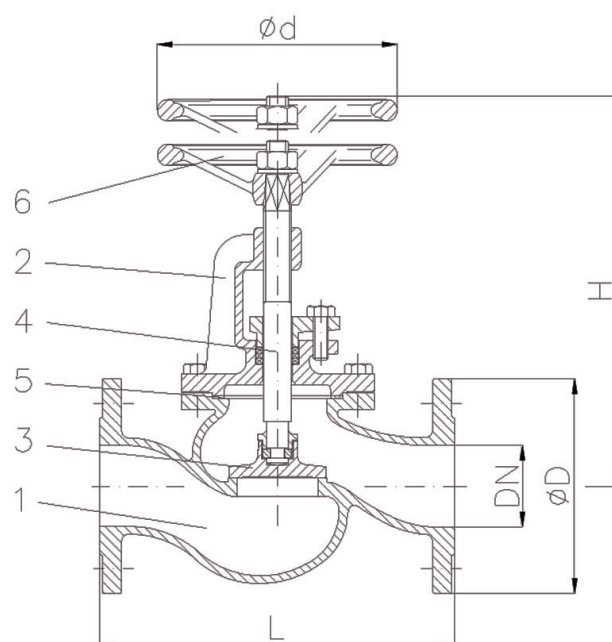
## DESCRIPTION:

Globe valve, straight, flanged. Metal sealed. Bolted bonnet.

## APPLICATION:

Seawater, water, oil and non aggressive liquids. For warm sea water it is recommended to employ the execution with a stem of zincfree bronze, CuSn8. Max temperature 225°C. Dimensions over DN150 on request.

11



Nr	Detalj/Part name	Materiale/Material
1	Hus/Body	Rg 5/Cu Sn 5 Zn5 Pb 5-C EN 1982
2	Overdel/Bonnet	Rg 5/Cu Sn 5 Zn5 Pb 5-C EN 1982
3	Kjegle/Disc	So Ms 59/Cu Zn 35 Ni 3 Mn 2 Al Pb EN 12163
4	Spindel/Stem	So Ms 59/Cu Zn 35 Ni 3 Mn 2 Al Pb EN 12163
5	Pakning/Gasket	FA1 asbestfri/FA1
6	Ratt/Hand Wheel	GG/EN-GJL-200 EN 1561

HS CODE INT. 8481.80

DN	Vare nr. NRF Fixed	Vare nr. NRF SDNR	Bar 100°C	Bar 225°C	L mm	H mm	ØD mm	Vekt Weight Kg
15			16	10	130,0	180,0	95	5,0
20			16	10	150,0	200,0	105	5,5
25			16	10	160,0	310,0	115	6,0
32			16	10	180,0	220,0	140	8,0
40			16	10	200,0	250,0	150	10,0
50			16	10	230,0	250,0	165	12,0
65			16	10	290,0	315,0	185	17,0
80			16	10	310,0	335,0	200	23,0
100			16	10	350,0	375,0	220	30,0
125			16	10	400,0	420,0	250	50,0
150			16	10/6	480,0	460,0	285	65,0

Kan leveres med EN 10204- 3.1 sertifikat / Can be delivered with EN 10204- 3.1 certificate.



# STENGEVENTIL VINKEL RG.5/SD.NR / GLOBE VALVE ANGLE RG.5/SD.NR

Göpfert AG

**BESKRIVELSE:**

Stengeventil, vinkel, flenset. Metalltettende. Boltet overdel.

**DESCRIPTION:**

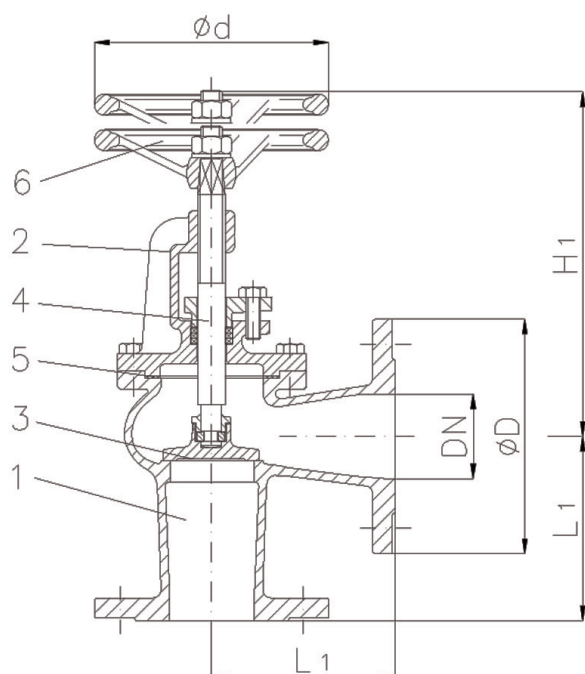
Globe valve, angle, flanged. Metal sealed. Bolted bonnet.

**ANVENDELSOMRÅDE:**

Sjøvann, vann, olje og ikke aggressive væsker. For varmt sjøvann anbefales spindel av CuSn8. Max. temperatur 225°C. Dimensjoner over DN150 på forespørsel.

**APPLICATION:**

Seawater, water, oil and non aggressive liquids. For warm sea water it is recommended to employ the execution with a stem of zincfree bronze, CuSn8. Max temperature 225°C. Dimensions over DN150 on request.



11

Nr	Detalj/Part name	Materiale/Material
1	Hus/Body	Rg 5/Cu Sn 5 Zn5 Pb 5-C EN 1982
2	Overdel/Bonnet	Rg 5/Cu Sn 5 Zn5 Pb 5-C EN 1982
3	Kjgle/Disc	So Ms 59/Cu Zn35 Ni3 Mn 2 Al Pb EN12163
4	Spindel/Stem	So Ms 59/Cu Zn 35 Ni 3 Mn 2 Al Pb EN 12163
5	Pakning/Gasket	FA1 asbestfri/FA1
6	Ratt/Hand Wheel	GG/EN-GJL-200 EN 1561

HS CODE INT. 8481.80

DN	Vare nr. NRF Fixed	Vare nr. NRF SDNR	PN 100°C	PN 225°C	L1 mm	H1 mm	øD mm	Vekt Weight Kg
15			16	10	90	160	95	3,8
20			16	10	95	170	105	4,0
25			16	10	100	170	115	5,0
32			16	10	105	190	140	7,0
40			16	10	115	210	150	9,0
50			16	10	125	220	165	11,0
65			16	10	145	260	185	16,0
80			16	10	155	280	200	20,0
100			16	10	175	300	220	25,0
125			16	10	200	340	250	40,0
150			16	10/6	225	360	285	50,0

Kan leveres med EN 10204- 3.1 sertifikat / Can be delivered with EN 10204- 3.1 certificate.

## STENGEVENTIL RETTLØP RG.5/SD.NR / GLOBE VALVE STRAIGHT RG.5/SD.NR

Göpfert AG

### BESKRIVELSE:

Stengeventil, rettløp, flenset. Metalltettende. Boltet overdel.

### ANVENDELSOMRÅDE:

Sjøvann, vann, olje og ikke aggressive væsker. For varmt sjøvann anbefales spindel av CuSn8. Max. temperatur 225°C.

### DESCRIPTION:

Globe valve, straight, flanged. Metal sealed. Bolted bonnet.

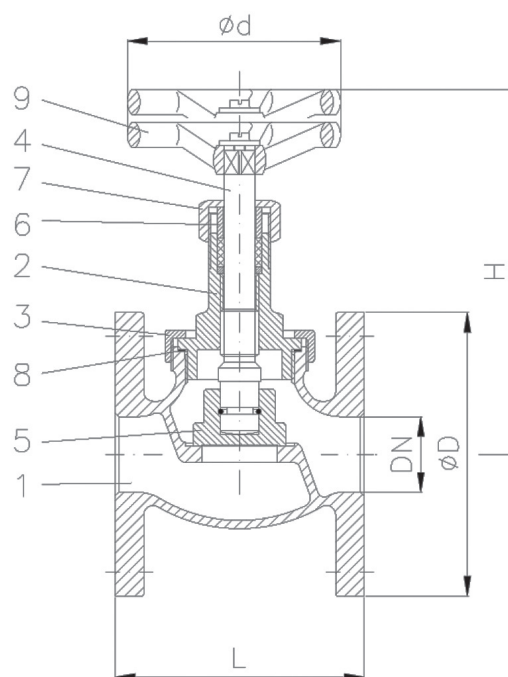
### APPLICATION:

Seawater, water, oil and non aggressive liquids. For warm sea water it is recommended to employ the execution with a stem of zincfree bronze, CuSn8. Max temperature 225°C.

11



Nr	Detalj/Part name	Materiale/Material
1	Hus/Body	Rg 5/Cu Sn 5 Zn5 Pb 5-C EN 1982
2	Overdel/Bonnet	Rg 5/Cu Sn 5 Zn5 Pb 5-C EN 1982
3	Låsemutter/Lock Nut	Rg 5/Cu Sn 5 Zn5 Pb 5-C EN 1982
4	Spindel/Stem	So Ms 59/Cu Zn 35 Ni 3 Mn 2 Al Pb EN 12163
5	Kjegle/Disc	Rg 5/Cu Sn 5 Zn5 Pb 5-C EN 1982
6	Gland/Gland	Ms 58/Cu Zn 39 Pb 3 EN 12164
7	Pakkboksmutter/Gland Nut	Ms 58/Cu Zn 39 Pb 3 EN 12164
8	Tetning/Sealing	PTFE/PTFE
9	Ratt/Hand Wheel	GG/EN-GJL-200 EN 1561



HS CODE INT. 8481.80

DN	PN mm	Vare nr. NRF Fixed	Vare nr. NRF SDNR	Bar 100°C	Bar 225°C	L mm	H mm	øD mm	Vekt Weight Kg
10	16			16	10	70	95	90	1,40
15	16			16	10	70	95	95	1,80
20	16			16	10	80	110	105	2,10
25	16			16	10	90	115	115	2,60
32	16			16	10	105	135	140	4,20
40	16			16	10	120	145	150	5,20
50	16			16	10	140	165	165	7,50
65	16			16	10	180	230	185	11,0
80	16			16	10	200	250	200	15,0
100	16			16	10	230	260	220	21,0

Kan leveres med EN 10204- 3.1 sertifikat / Can be delivered with EN 10204- 3.1 certificate.

# STENGVENTIL VINKEL RG.5/SD.NR / GLOBE VALVE ANGLE RG.5/SD.NR

Göpfert AG

## BESKRIVELSE:

Stengeventil, vinkel, flenset. Metalltettende. Boltet overdel.

## ANVENDELSOMRÅDE:

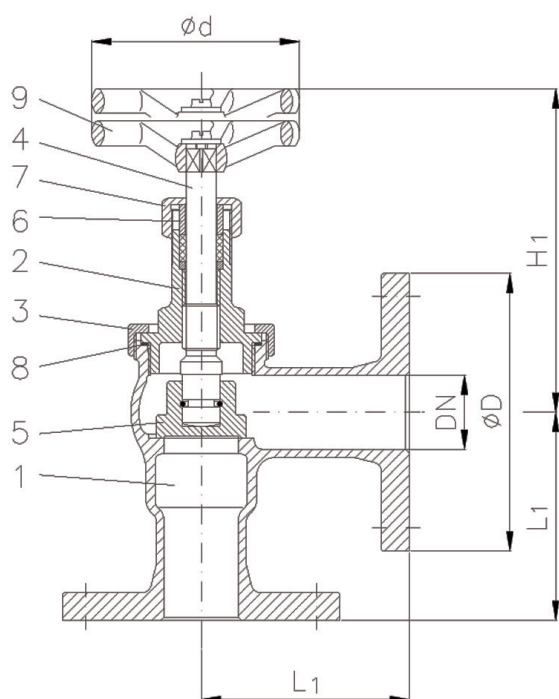
Sjøvann, vann, olje og ikke aggressive væsker. For varmt sjøvann anbefales spindel av CuSn8. Max. temperatur 225°C.

## DESCRIPTION:

Globe valve, angle, flanged. Metal sealed. Bolted bonnet.

## APPLICATION:

Seawater, water, oil and non aggressive liquids. For warm sea water it is recommended to employ the execution with a stem of zincfree bronze, CuSn8. Max temperature 225°C.



11

Nr	Detalj/Part name	Materiale/Material
1	Hus/Body	Rg 5/Cu Sn 5 Zn5 Pb 5-C EN 1982
2	Overdel/Bonnet	Rg 5/Cu Sn 5 Zn5 Pb 5-C EN 1982
3	Låsmutter/Lock Nut	Rg 5/Cu Sn 5 Zn5 Pb 5-C EN 1982
4	Spindel/Stem	So Ms 59/Cu Zn 35 Ni 3 Mn 2 Al Pb EN 12163
5	Kjgle/Disc	Rg 5/Cu Sn 5 Zn5 Pb 5-C EN 1982
6	Gland/Gland	Ms 58/Cu Zn 39 Pb 3 EN 12164
7	Pakkboksmutter/Gland Nut	Ms 58/Cu Zn 39 Pb 3 EN 12164
8	Tetning/Sealing	PTFE/PTFE
9	Ratt/Hand Wheel	GG/EN-GJL-200 EN 1561

HS CODE INT. 8481.80

DN	Vare nr. NRF Fixed	Vare nr. NRF SDNR	Bar 100°C	Bar 225°C	L1 mm	H1 mm	øD mm	Vekt Weight Kg
10			16	10	65	86	90	1,4
15			16	10	65	86	95	1,8
20			16	10	70	100	105	2,1
25			16	10	75	105	115	2,6
32			16	10	90	120	140	4,2
40			16	10	100	135	150	5,2
50			16	10	105	150	165	7,5
65			16	10	115	210	185	11,0
80			16	10	125	230	200	15,0

Kan leveres med EN 10204- 3.1 sertifikat / Can be delivered with EN 10204- 3.1 certificate.

## SELVSTENGEVENTIL RETT LØP RG.5 / FLUSHING VALVE STRAIGHT RG.5

PN16, Göpfert AG

## BESKRIVELSE:

Selvstengeventil. Rettløp med innvendige BSP gjenger.

## DESCRIPTION:

Flushing valve. Straight with female BSP threads.

## ANVENDELSOMRÅDE:

Sjøvann, vann, olje og ikke aggressive væsker.

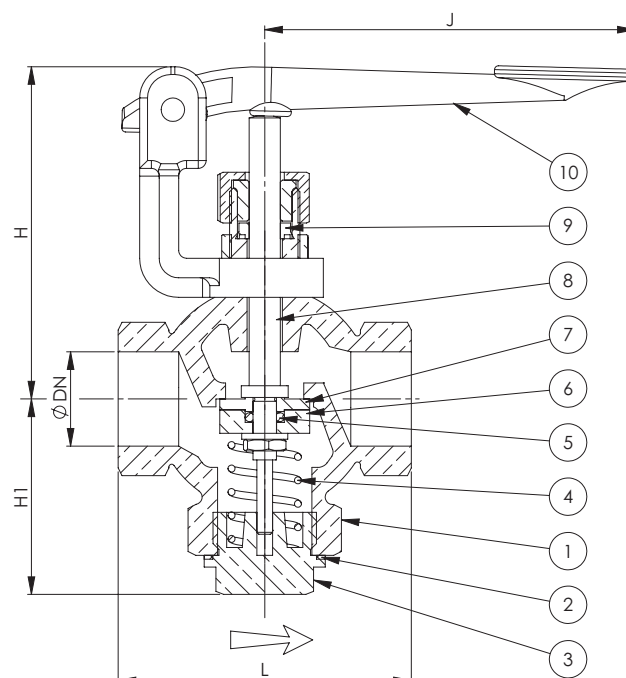
## APPLICATION:

Seawater, water, oil and other non aggressive liquids.

11



Nr	Detalj/Part name	Materiale/Material
1	Hus/Body	Bronze CC491K (RG5)
2	Tetning/Sealing	NBR bonded aramid
3	Underdel/Lower part	Bronze CC491K (RG5)
4	Fjær/Spring	Stainless steel 1.4301 (AISI304)
5	O-ring/O-ring	NBR
6	Kjegle/Disc	Special brass CW710R (SoMs59)
7	Kjeglepakning/Disc ring	PTFE
8	Spindel/Stem	Special brass CW710R (SoMs59)
9	Pakning/Gasket	NBR
10	Spak/Lever	Bronze CC491K (RG5)



HS CODE INT. 8481.80

Gjenger Threads	Vare nr. Part no.	PN	DN mm	GBSP mm	H mm	H1 mm			Vekt Weight Kg
1/2"		16	15	G1/2	84	44	83	65	0,8
3/4"		16	20	G3/4	87	51	83	76	1
1"		16	25	G1	89	53	83	80	1,2
1 1/4"		16	32	G1 1/4	107	60	155	90	2,2
1 1/2"		16	40	G1 1/2	119	69	155	102	2,8
2"		16	50	G2	135	85	155	136	4,5

Kan leveres med EN 10204- 3.1 sertifikat / Can be delivered with EN 10204- 3.1 certificate.



## BRANNVENTIL RETTLØP RG.5 / FIRE VALVE STRAIGHT RG.5

Göpfert AG

## BESKRIVELSE:

Brannventil. Rettløpet, boltet overdel, kombinert med NBR- og metalltettende sete.

Innløp: Flens PN 16

Utløp: Utvendige gjenger

## ANVENDELSESOMRÅDE:

Sjøvann og vann. Maks. temperatur 80°C.

## DESCRIPTION:

Fire valve. Straight type, bolted bonnet, with NBR- and metal sealed seat.

Inlet: Flanged PN 16

Outlet: Male threads

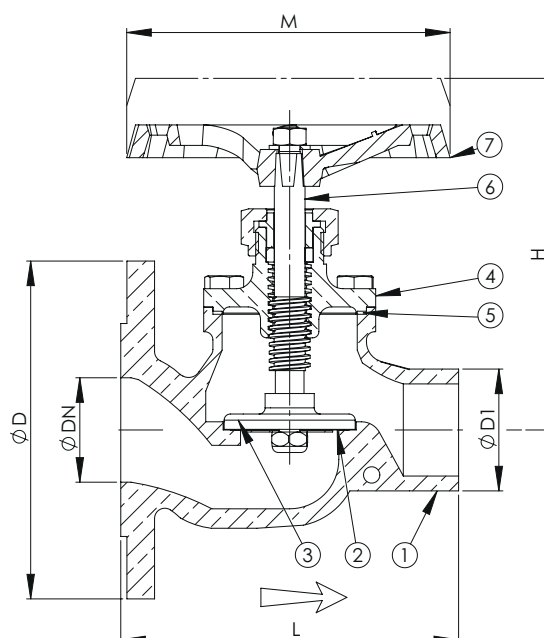
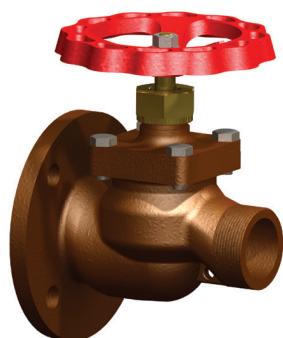
## APPLICATION:

Water and seawater. Max. temperatur 80°C.

*Kuplinger til brannventiler, se side 191. Kan også leveres i RG.10.*

*Couplings to fire valves, see page 191. Can also be delivered in RG.10.*

11



Nr	Detalj/Part name	Materiale/Material
1	Hus/Body	Bronze CC491K (RG5)
2	Kjeglepakning/Disc ring	NBR
3	Kjegle/Disc	Special brass CW710R (SoMs59)
4	Overdel/Bonnet	Bronze CC491K (RG5)
5	Pakning/Gasket	NBR bonded aramid
6	Spindel/Stem	Special brass CW710R (SoMs59)
7	Ratt/Handwheel	Cast iron EN-JL1040 (GG25)

HS CODE INT. 8481.80

DN Inlet	Gjenger Threads	Vare nr. Part no.	PN	D mm	H mm	L mm	M mm	Vekt Weight Kg
40	1 1/2"		16	150	160	150	140	5
50	2"		16	165	175	167	140	6
65	2 1/2"		16	185	205	200	160	11

*Kan leveres med EN 10204- 3.1 sertifikat / Can be delivered with EN 10204- 3.1 certificate.*

## BRANNVENTIL VINKEL RG.5 / FIRE VALVE ANGLE RG.5

Göpfert AG

### BESKRIVELSE:

Brannventil. Vinkeltype, boltet overdel, kombinert med NBR- og metalltettende sete.

Innløp: Flens PN 16

Utløp: Utvendige gjenger

### ANVENDELSESOMRÅDE:

Sjøvann og vann. Maks. temperatur 80°C.

*Kuplinger til brannventiler, se side 191. Kan også leveres i RG.10.*

### DESCRIPTION:

Fire valve. Angled type, bolted bonnet, with NBR- and metal sealed seat.

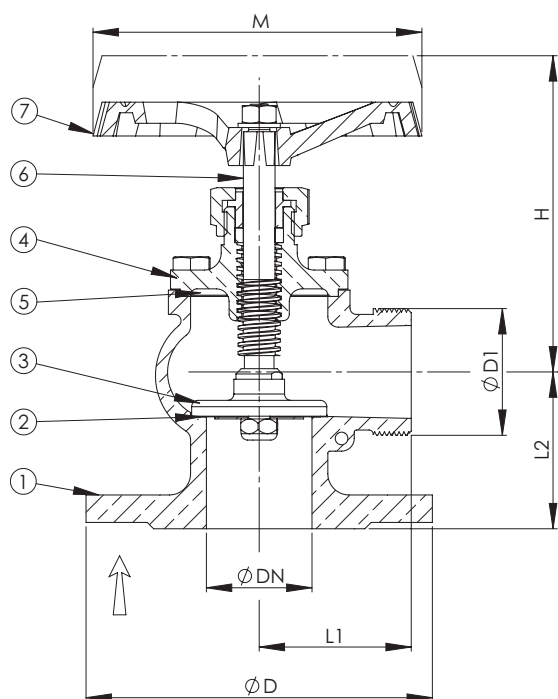
Inlet: Flanged PN 16

Outlet: Male threads

### APPLICATION:

Water and seawater. Max. temperatur 80°C.

*Couplings to fire valves, see page 191. Can also be delivered in RG.10.*



11

Nr	Detalj/Part name	Materiale/Material
	Hus/Body	Rg 5/Cu Sn 5 Zn5 Pb 5-C EN 1982
	Overdel/Bonnet	Rg 5/Cu Sn 5 Zn5 Pb 5-C EN 1982
	Spindel/Stem	So Ms 59/Cu Zn 35 Ni 3 Mn 2 Al Pb EN 12163
	Kjegle/Disc	So Ms 59/Cu Zn 35 Ni 3 Mn 2 Al Pb EN 12163
	Ratt/Hand Wheel	GG 25/EN-GJL-250 EN 1561
	Kjeglepakning/Disc Ring	Nitrilgummi NBR/Perbunan Rubber
	Pakning/Gasket	FA1 asbestfri/FA1

HS CODE INT. 8481.80

DN Inlet	Gjenger Threads	Vare nr. Part no.	PN	øD mm	Øk x n x Ød1	H1 mm	H2 mm	L1 mm	Vekt Weight Kg
40	1 1/2"		16	150	110 x 4 x 18	220,0	70	65	4
50	2"		16	165	125 x 4 x 18	225,0	75	72,5	5
65	2 1/2"		16	185	145 x 4 x 18	255,0	90	95,0	9

*Kan leveres med EN 10204- 3.1 sertifikat / Can be delivered with EN 10204- 3.1 certificate.*