



# Storm valve straight type 159801

## DESCRIPTION

Storm valve is used in shipside applications, as a self closing check valve and is multiturn operated.

## SPECIFICATIONS

Flange standard:	EN 1092-2
Face to face standard:	EN 558, series 48
Bonnet connection:	Bolted
Execution:	Straight
Connection type:	Flanged

## APPLICATION

Discharge of sewage water. For vertical installation.

## MEDIA

Seawater and freshwater.

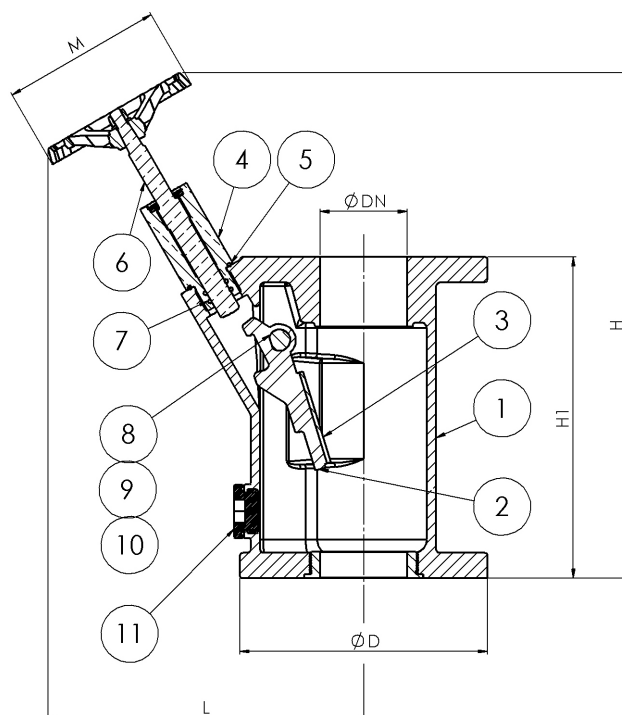
## VARIANTS

Other dimensions on request.



No.	Part	Material
1	Body	Ductile iron EN GJS 400-15 (GGG40)
2	Disc	Ductile iron EN GJS 400-15 (GGG40)
3	Disc lining	NBR
4	Sleeve	Brass CW614N (Ms58)
5	Sealing	NBR
6	Stem	Brass CW614N (Ms58)
7	Sealing	NBR
8	Shaft	Brass CW614N (Ms58)
9	Sealing	NBR
10	Guide ring	Brass CW617N
11	End cap	Steel, zink plated

DN	Connection	Max. working pressure (bar) -10°C to +60°C
50-300	PN 10	4





DN	Pressure rating	Connection	L	D	H	H1	M	Weight	Item no.
50	PN 4	PN 10	223	165	330	200	120	10,8 kg	36428
65	PN 4	PN 10	232	185	369	240	120	13,9 kg	36429
80	PN 4	PN 10	263	200	416	260	140	16,9 kg	36430
100	PN 4	PN 10	271	220	428	300	140	21,2 kg	36431
125	PN 4	PN 10	284	250	475	350	140	27,9 kg	36432
150	PN 4	PN 10	284	285	475	400	140	35,1 kg	36433

All measurements in mm. Weights are approximations.

FLANGES DRILLED ANSI									
DN	Pressure rating	Connection	L	D	H	H1	M	Weight	Item no.
50	PN 4	ANSI 150	223	152	330	200	120	10,8 kg	32640
65	PN 4	ANSI 150	232	178	369	240	120	13,9 kg	32641
80	PN 4	ANSI 150	263	191	416	260	140	16,9 kg	32642
100	PN 4	ANSI 150	271	220	428	300	140	21,2 kg	32643
125	PN 4	ANSI 150	248	250	475	350	140	27,9 kg	32644
150	PN 4	ANSI 150	284	279	475	400	140	35,1 kg	32645

All measurements in mm. Weights are approximations.