

Milwaukee®

Nothing but **HEAVY DUTY**®



M18 BJS

Original instructions

Originalbetriebsanleitung

Notice originale

Istruzioni originali

Manual original

Oorspronkelijke gebruiksaanwijzing

Original brugsanvisning

Original bruksanvisning

Bruksanvisning i original

Alkuperäiset ohjeet

Πρωτότυπο οδηγιών χρήσης

Orijinal işletme talimatı

Původním návodem k používání

Pôvodný návod na použitie

Instrukcją oryginalną

Eredeti használati utasítás

Izvirna navodila

Originalne pogonske upute

Instrukcijām oriģinālvalodā

Originalni instrukcija

Algupärane kasutusjuhend

Оригинальное руководство по эксплуатации







Оригинално ръководство за експлоатация

Instrucțiuni de folosire originale

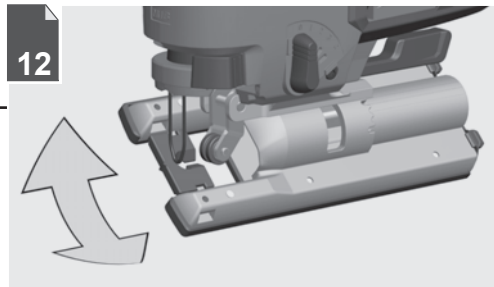
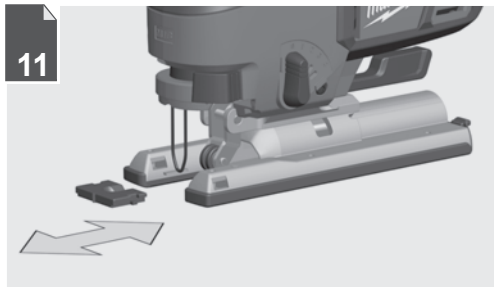
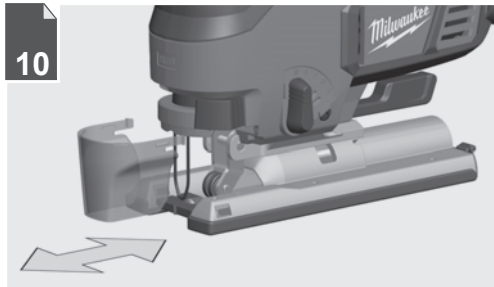
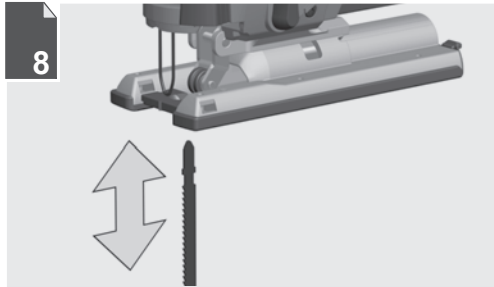
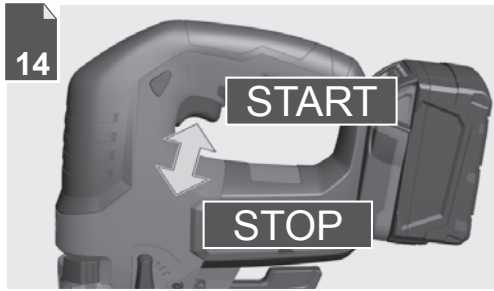
Оригинален прирачник за работа

Оригінал інструкції з експлуатації

التعليمات الأصلية

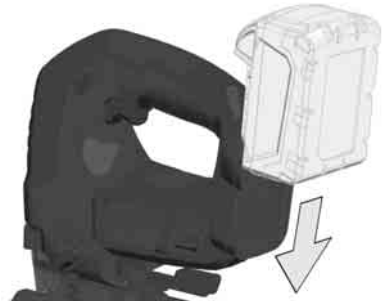
ENGLISH		Picture section with operating description and functional description	4
DEUTSCH		Bildteil mit Anwendungs- und Funktionsbeschreibungen	4
FRANÇAIS		Partie imagée avec description des applications et des fonctions	4
ITALIANO		Sezione illustrata con descrizione dell'applicazione e delle funzioni	4
ESPAÑOL		Sección de ilustraciones con descripción de aplicación y descripción funcional	4
PORTUGUES		Parte com imagens explicativas contendo descrição operacional e funcional	4
NEDERLANDS		Beelddedeelte met toepassings- en functiebeschrijvingen	4
DANSK		Billedel med anvendelses- og funktionsbeskrivelser	4
NORSK		Billedel med bruks- og funksjonsbeskrivelse	4
SVENSKA		Bilddel med användnings- och funktionsbeskrivning	4
SUOMI		Kuvasivut käyttö- ja toimintakuvaukset	4
ΕΛΛΗΝΙΚΑ		Τμήμα εικόνων με περιγραφές χρήσης και λειτουργίας	4
TÜRKÇE		Resim bölümü Uygulama ve fonksiyon açıklamaları ile birlikte	4
ČESKY		Obrazová část s popisem aplikací a funkcí	4
SLOVENSKY		Obrazová část s popisom aplikácií a funkcií	4
POLSKI		Część rysunkowa z opisami zastosowania i działania	4
MAGYAR		Képes részalkalmazási- és működési leírásokkal	4
SLOVENSKO		Del slikez opisom uporabe in funkcij	4
HRVATSKI		Dio sa slikama opisima primjene i funkcija	4
LATVISKI		Attēla daļa ar lietošanas un funkciju aprakstiem	4
LIETUVIŠKAI		Paveikslėlio dalis su vartojimo instrukcija ir funkcijų aprašymais	4
EESTI		Pildiosa kasutusjuhendi ja funktsioonide kirjeldusega	4
РУССКИЙ		Раздел иллюстраций с описанием эксплуатации и функций	4
БЪЛГАРСКИ		Част със снимки с описание за приложение и функции	4
ROMÂNIA		Secvența de imagine cu descrierea utilizării și a funcționării	4
МАКЕДОНСКИ		Дел со сликисо описи за употреба и функционирање	4
УКРАЇНСЬКА		Частина з зображеннями з описом робіт та функцій	4
عربي		قسم الصور يوجد به الوصف التشغيلي والوظيفي	4

Text section with Technical Data, important Safety and Working Hints and description of Symbols	18
Textteil mit Technischen Daten, wichtigen Sicherheits- und Arbeitshinweisen und Erklärung der Symbole.	20
Partie textuelle avec les données techniques, les consignes importantes de sécurité et de travail ainsi que l'explication des pictogrammes.	22
Sezione testo con dati tecnici, importanti informazioni sulla sicurezza e sull'utilizzo, spiegazione dei simboli.	24
Sección de texto con datos técnicos, indicaciones importantes de seguridad y trabajo y explicación de los símbolos.	26
Parte com texto explicativo contendo Especificações técnicas, Avisos de segurança e de operação e a Descrição dos símbolos.	28
Tekstgedeelte met technische gegevens, belangrijke veiligheids- en arbeidsinstructies en verklaring van de symbolen.	30
Tekstdel med tekniske data, vigtige sikkerheds- og arbejdsanvisninger og symbolforklaring.	32
Tekstdel med tekniske data, viktige sikkerhets- og arbeidsinstruksjoner og forklaring av symbolene.	34
Tekstdel med tekniska informationer, viktiga säkerhets- och användningsinstruktioner samt symbolförklaringar.	36
Tekstisivut: tekniset tiedot, tärkeät turvallisuus- ja työskentelyohjeet sekä merkien selitykset.	38
Τμήμα κειμένου με τεχνικά χαρακτηριστικά, σημαντικές υποδείξεις ασφαλείας και εργασίας και εξήγηση των συμβόλων.	40
Teknik bilgileri, önemli güvenlik ve çalışma açıklamalarını ve de sembollerin açıklamalarını içeren metin bölümü.	42
Textová část s technickými daty, důležitými bezpečnostními a pracovními pokyny a s vysvětlivkami symbolů	44
Textová část s technickými datami, důležitými bezpečnostními a pracovními pokyny a s vysvětlivkami symbolov	46
Część opisowa z danymi technicznymi, ważnymi wskazówkami dotyczącymi bezpieczeństwa i pracy oraz objaśnieniami symboli.	48
Szöveges rész műszaki adatokkal, fontos biztonsági- és munkavégzési útmutatásokkal, valamint a szimbólumok magyarázata.	50
Del besedila s tehničnimi podatki, pomembnimi varnostnimi opozorili in delovnimi navodili in pojasnili simbolov.	52
Dio štiva sa tehničkim podacima, važnim sigurnosnim i radnim uputama i objašnjenjem simbola.	54
Teksta daļa ar tehnikajiem parametriem, svarīgiem drošības un darbības norādījumiem, simbolu atšifrējumiem.	56
Teksto dalis su techniniais duomenimis, svarbiomis saugumo ir darbo instrukcijomis bei simbolių paaiškinimais.	58
Tekstiosa tehniliste näitajate, oluliste ohutus- ja tööjuhenditega ning sümbolite kirjeldustega.	60
Текстовый раздел, включающий технические данные, важные рекомендации по безопасности и эксплуатации, а также описание используемых символов.	62
Част с текст с технически данни, важни указания за безопасност и работа и разяснение на символите.	64
Porțiune de text cu date tehnice, indicații importante privind siguranța și modul de lucru și descrierea simbolurilor.	66
Текстуален дел со технички карактеристики, важни безбедносни и работни упатства и објаснување на символите.	68
Текстова частина з техничними даними, важливими вказівками з техніки безпеки та експлуатації і поясненням символів.	70
القسم النصي المزود بالبيانات الفنية والنصائح الهامة للسلامة والعمل ووصف الرموز	75





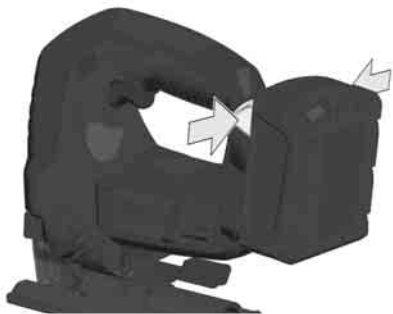
1



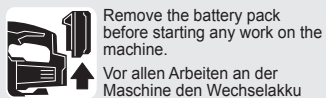
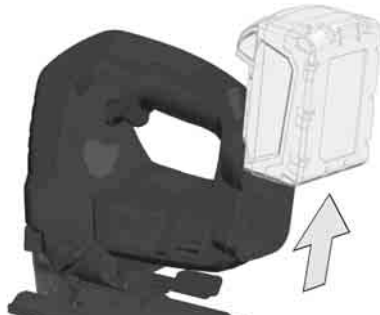
2



1



2



Remove the battery pack before starting any work on the machine.

Vor allen Arbeiten an der Maschine den Wechselakku herausnehmen

Avant tous travaux sur la machine retirer l'accu interchangeable.

Prima di iniziare togliere la batteria dalla macchina.

Retire la batería antes de comenzar cualquier trabajo en la máquina.

Antes de efectuar cualquier intervención na máquina retirar o bloco acumulador.

Voor alle werkzaamheden aan de machine de akku verwijderen.

Ved arbejde inden i maskinen, bør batteriet tages ud.

Ta ut vekselbatteriet før du arbeider på maskinen

Drag ur batteripaket innan arbete utföres på maskinen.

Tarkista pistotulppa ja verkkojohto mahdollisilta vaurioilta. Viat saa korjata vain alan erikoismies.

Πριν από κάθε εργασία στη μηχανή αφαιρείτε την ανταλλακτική μπαταρία.

Aletin kendeinde bir çalışma yapmadan önce kartuş aküyü çıkarın.

Před zahájením veškerých prací na vrtacím šroubováku vyjmout výměnný akumulátor.

Pred každou pracou na stroji výměnný akumulátor vytiahnuť.

Przed przystąpieniem do jakichkolwiek prac na elektronarzędziu należy wyjąć wkładkę akumulacyjną.

Karbantartás, javítás, tisztítás, stb. előtt az akkumulátort ki kell venni a készülékből.

Pred deli na stroju izvlecite izmenljivi akumulator.

Prije svih radova na stroju izvaditi bateriju za zamjenu.

Pirms mašīnai veikt jebkāda veida apkopes darbus, ir jāizņem ārā akumulators.

Prieš atlikdami bet kokius darbus įrenginyje, išimkite keičiamą akumuliatorių.

Enne kõiki töid masina kallal võtke vahetatav aku välja.

Виньте аккумулятор из машины перед проведением с ней каких-либо манипуляций.

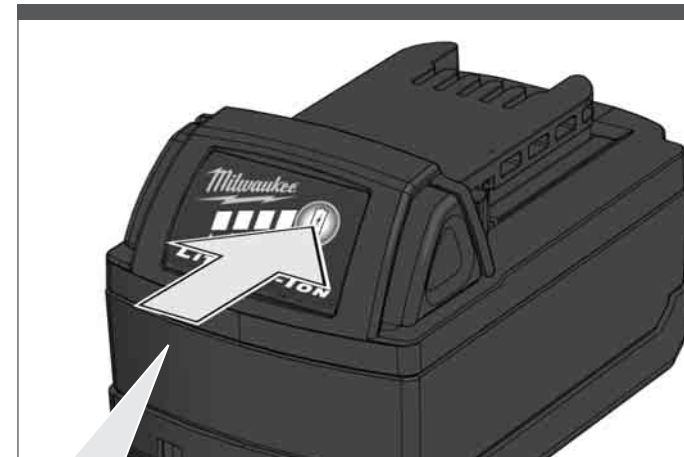
Преди започване на каквито е да е работи по машината извадете акумулатора.

Scotețiți acumulatorul înainte de a începe orice intervenție pe mașină.

Отстранете ја батеријата пред да започнете да ја користите машината.

Перед будь-якими роботами на машині ви́няти змінну акумуляторну батарею.

قم بإزالة حزمة البطارية قبل البدء في أي أعمال على الجهاز.



78-100 %



55-77 %



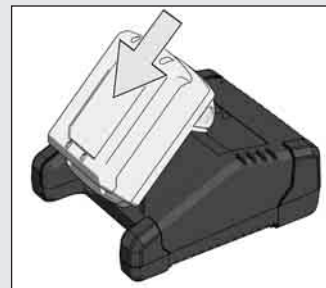
33-54 %

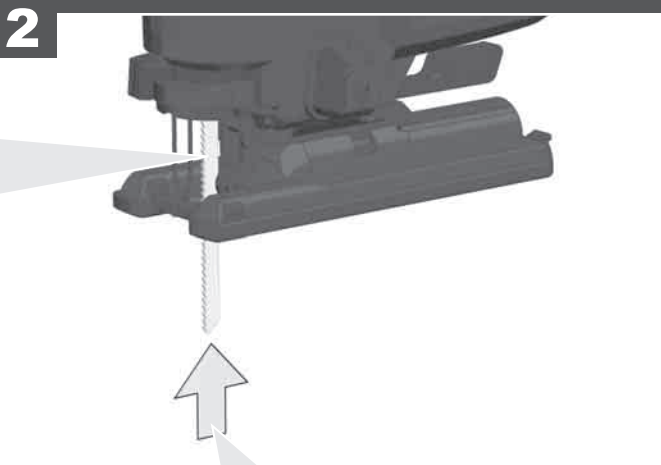
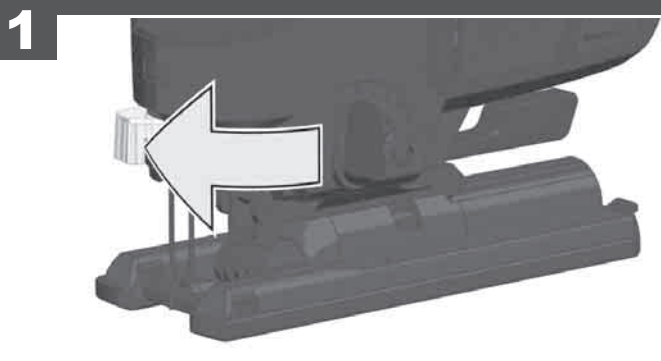
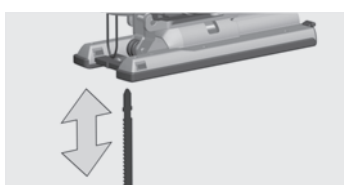


10-32 %



< 10 %





Press the saw blade into the Fixtec holder up to the stop.

Sägeblatt in die Fixtec-Aufnahme bis zum Anschlag drücken.

Presser la lame de scie dans le logement Fixtec jusqu'à la butée.

Inserire la lama fino alla battuta nell'alloggiamento Fixtec.

Introducir la hoja de la sierra Fixtec en su alojamiento hasta el tope

Pressionar a folha de serra no assento-Fixtec até o encosto.

Zaagblad tot aan de aanslag in de Fixtec-houder drukken.

Pres savklingen ind i Fixtec-holderen, så den går i indgreb.

Trykk sagbladet til anslaget av Fixtec – holdeinnretningen.

Tryck ner sågbladet i Fixtec-fästanordningen så långt det går.

Työnnä sahanterä Fixtec-istukkaan pohjaan asti

Βόλτε την προνόλα μεχρι το τέρμα στην υποδοχη του Fixtec.

Testere bıçağını dayanincaya kadar Fixtec yuvasına bastırın.

Zatiačte pilový list na doraz do sklíčidla Fixtec.

Zatiačte pilový list na doraz do sklíčovadla Fixtec.

Brzeszczot wcisnąć na nasadę FIXTEC do oporu.

A fűrészlapot a Fixtec-befogóba ütközéig nyomja be!

Žagin list pritisnite u Fixtec-prijemalo do prislona levietojiet zāga disku Fixtec stiprinājumā līdz galam, lai tā nofiksējas.

Istatykite pjūklø diską į Fixtec tvirtinimą iki galo, kol jis užsifiksuoja.

Saetera lükata Fixtec-kinnitusse kuni tunnete klõpsatust.

Вставить пильное полотно в захват Fixtec до упора.

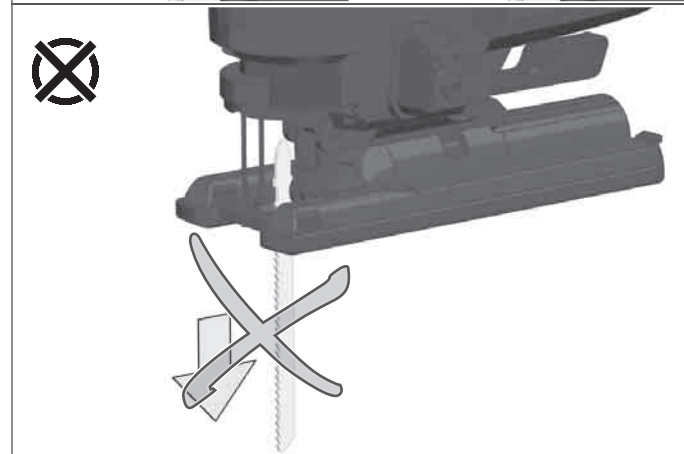
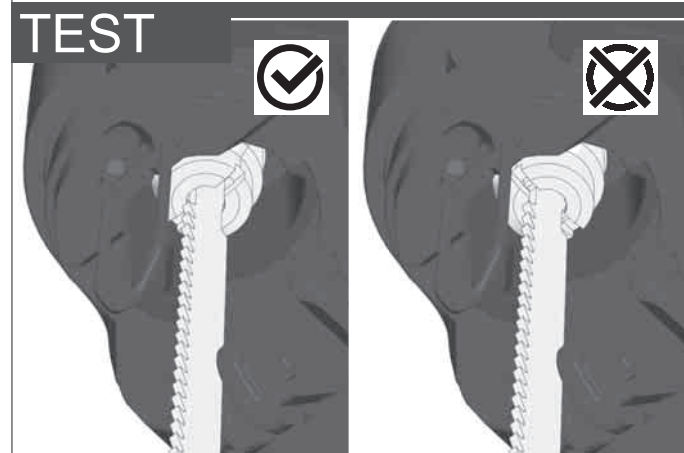
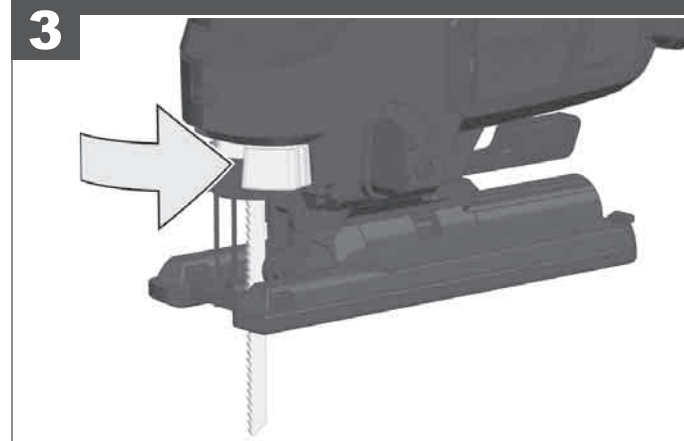
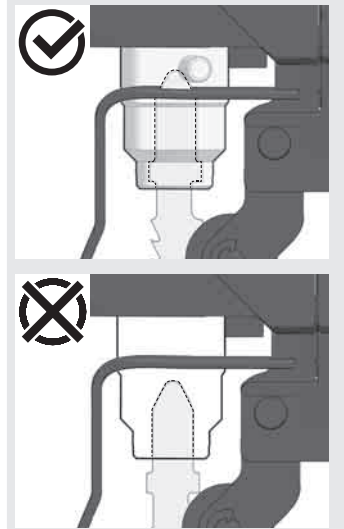
Натиснете циркулярния диск в Fixtec-държача до ограничителя.

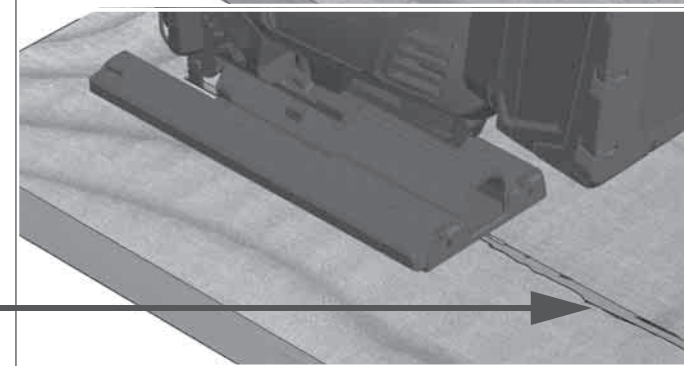
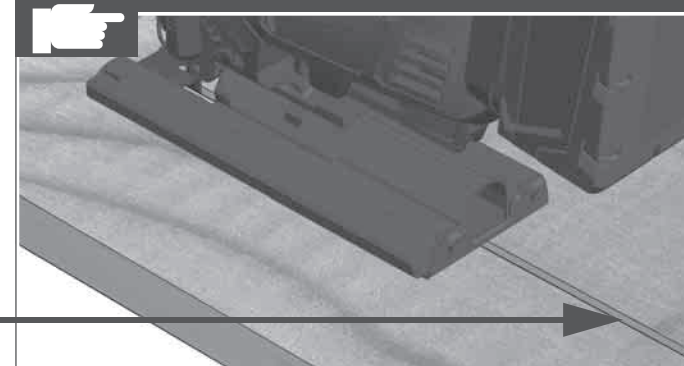
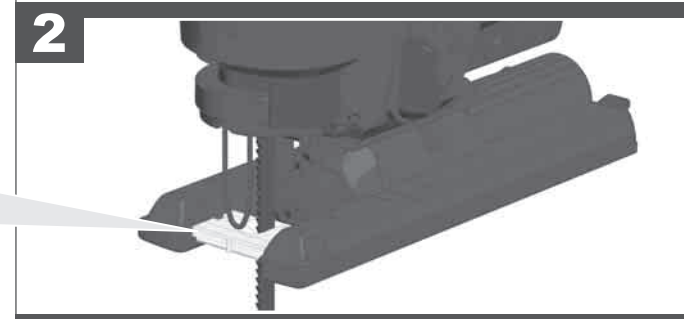
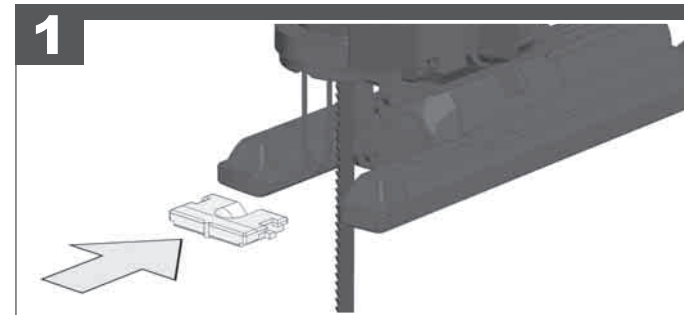
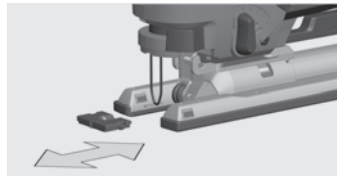
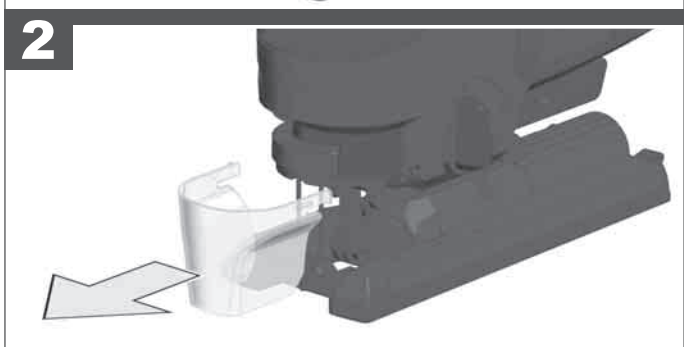
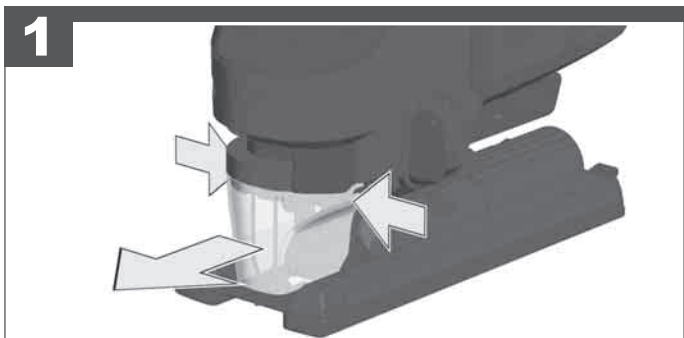
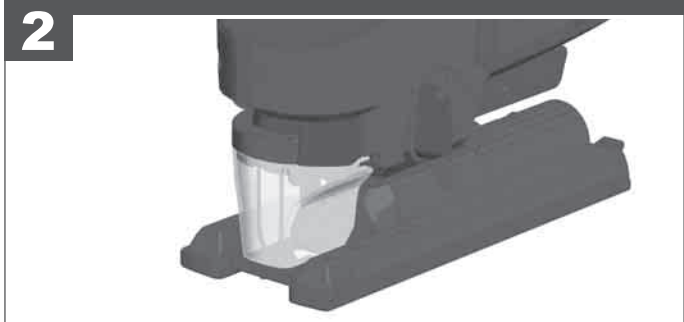
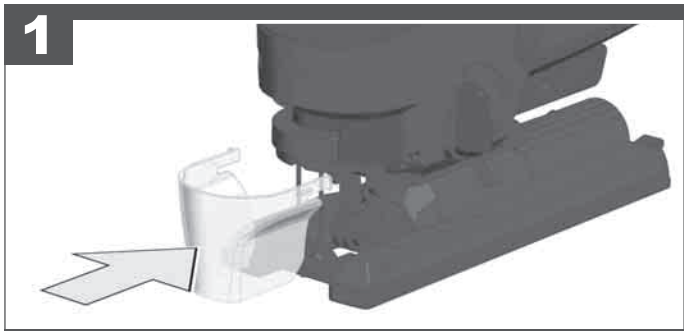
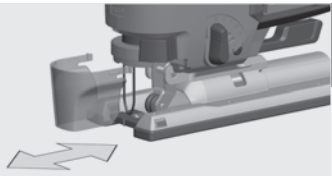
Aprāsāj pānžā de circular ģn dispozītvul de preluare fixtec, pānā la refuz.

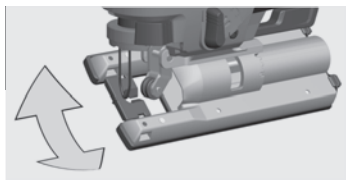
Притиснете ја пилицата за сечење во Fixtec-лежиштето сè до аншлаг

Притиснути пилковий диск до кріплення Fixtec до упору.

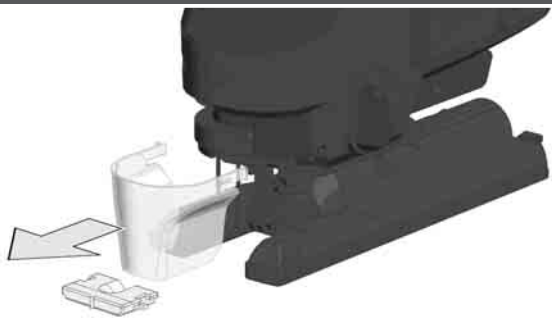
اضغط على شفرة المثار إلى داخل حامل Fixtec حتى السدادة النهائية.



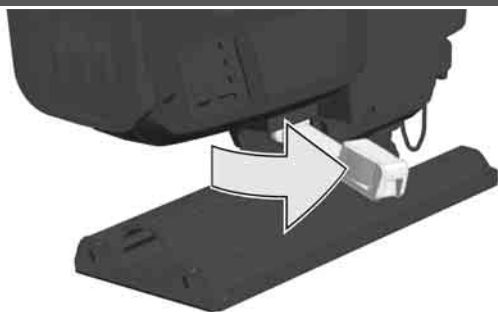




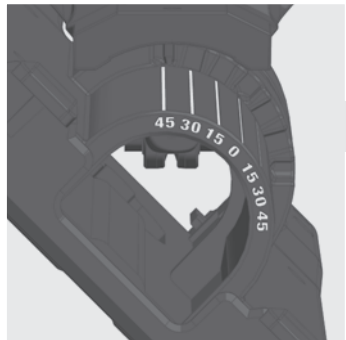
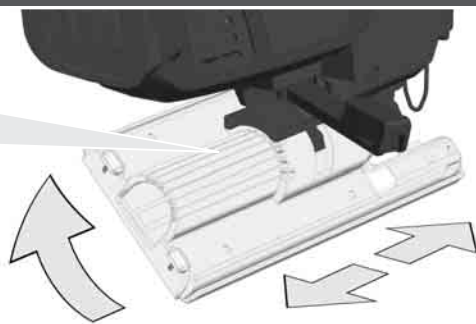
1



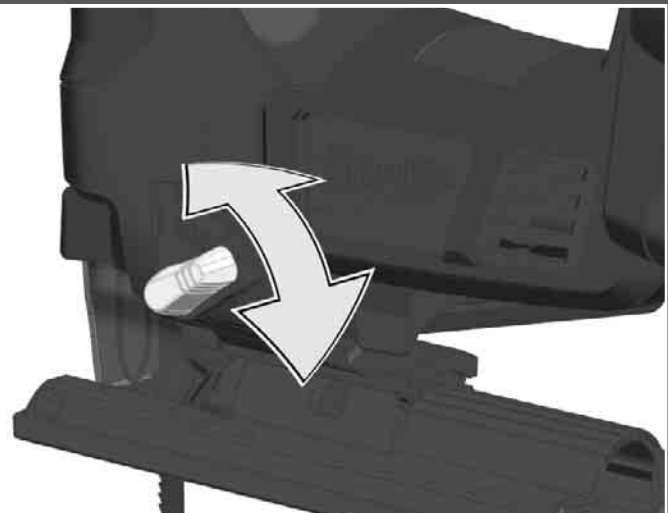
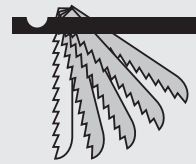
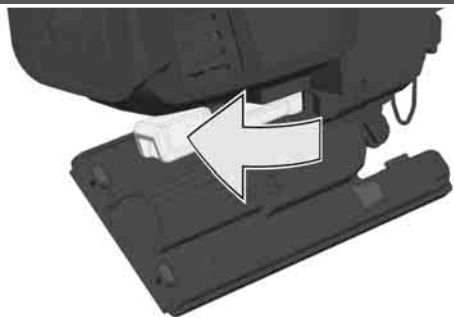
2



3

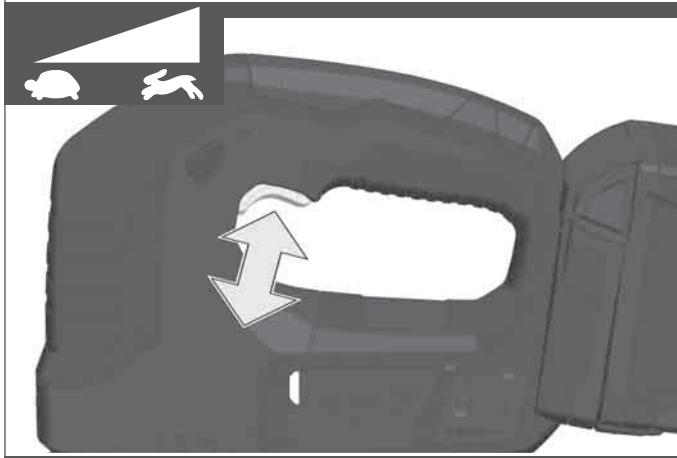
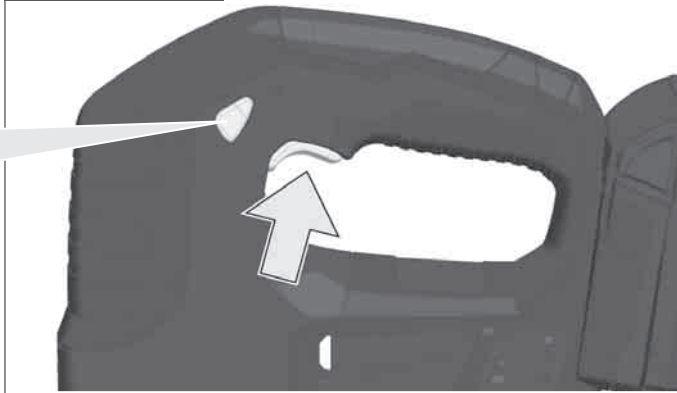
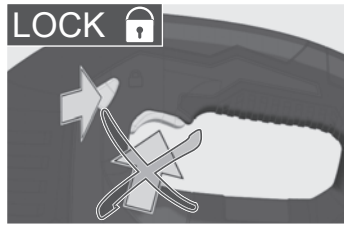
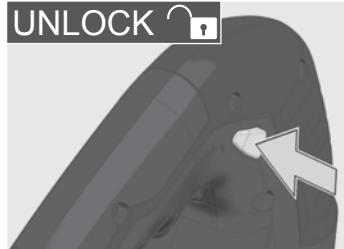


4

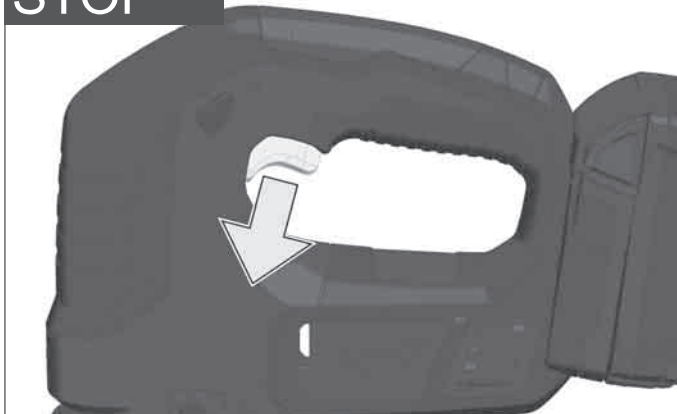




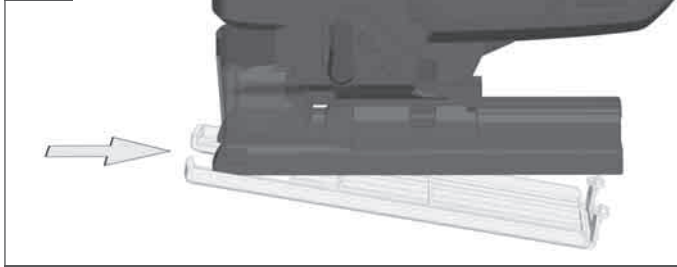
START



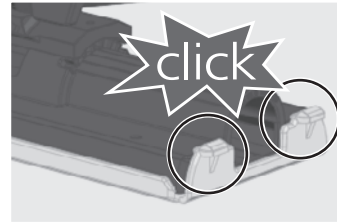
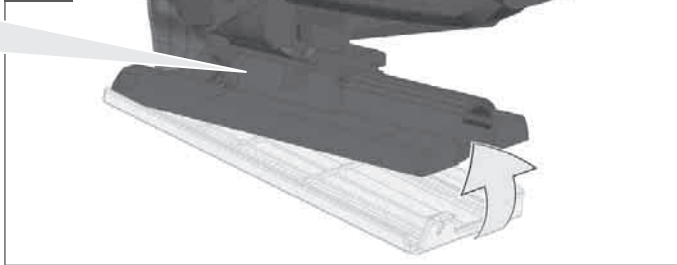
STOP



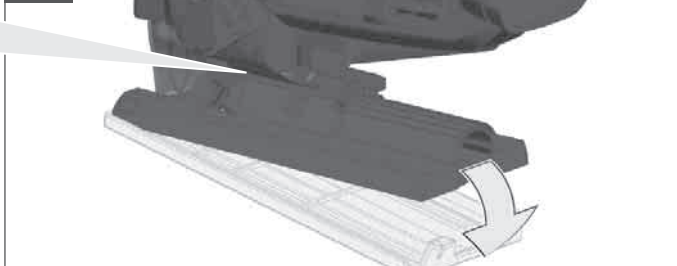
1



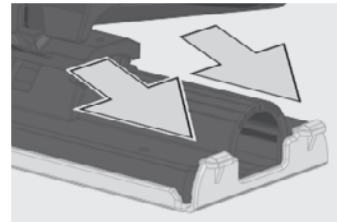
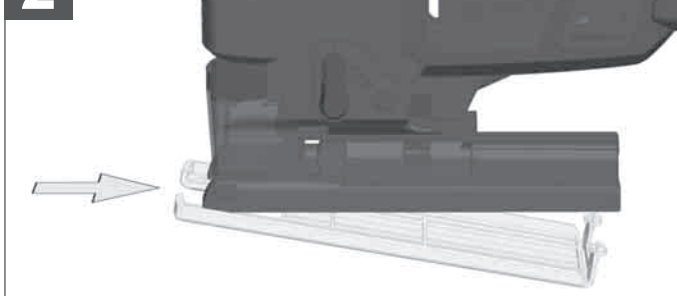
2

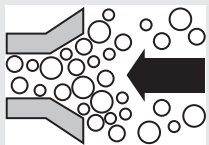


1

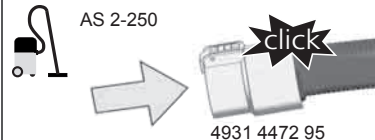
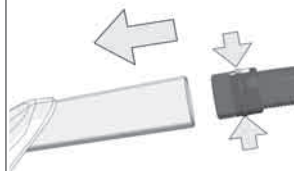


2





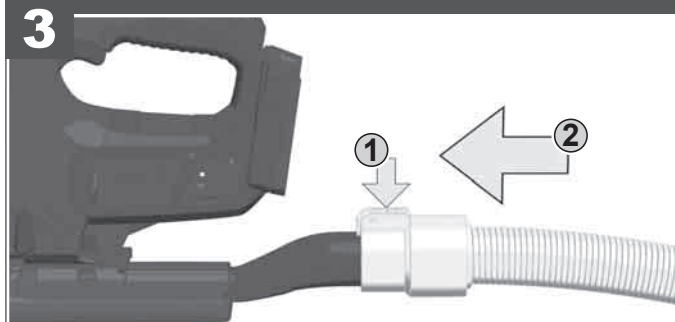
1



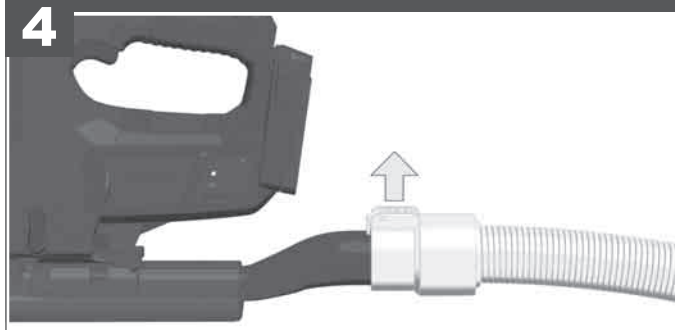
2



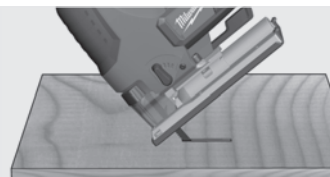
3



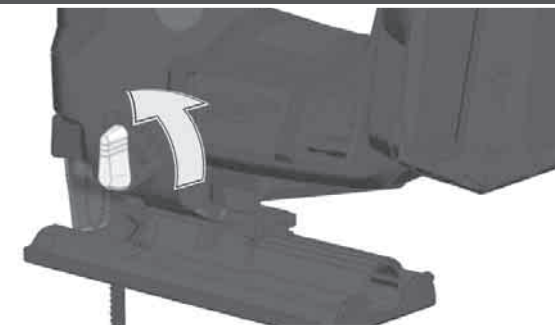
4



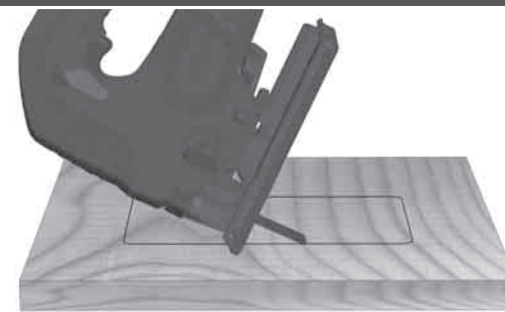
- Accessory
- Zubehör
- Accessoire
- Accessorio
- Accessório
- Toebehoren
- Tilbehør
- Tilbehør
- Tillbehör
- Lisälaite
- Εξαρτήματα
- Aksesuar
- Příslušenství
- Príslušenstvo
- Element wyposażenia dodatkowego
- Tartozék
- Oprema
- Pribor
- Papildus aprīkojums
- Priedas
- Tarvikud
- Дополнитель
- Аксесоар
- Accessorii
- Комплектуючі
- ق ح ل م ل ا



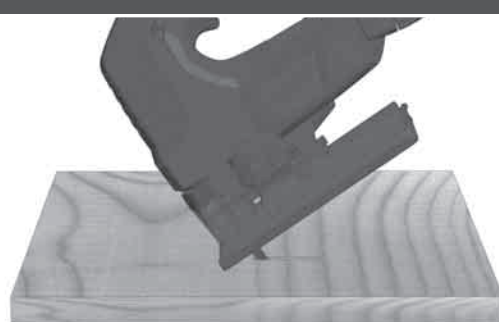
1



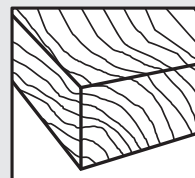
2



3



4



TECHNICAL DATA **CORDLESS JIGSAW** **M18 BJS**

Production code.....	4568 60 01...	...000001-999999
Battery voltage.....	18 V	
Stroke rate under no-load.....	0-2800 min ⁻¹ (+/- 10%)	
Lengths of stroke.....	26 mm	
Bevel cuts up to.....	45°	
Cutting depth max. in:		
Wood.....	55 mm	
Aluminium.....	10 mm	
Weight according EPTA-Procedure 01/2003 (4.0 Ah).....	3,3 kg	

Noise/vibration information

Measured values determined according to EN 60 745.

Typically, the A-weighted noise levels of the tool are:

Sound pressure level (Uncertainty K=3dB(A)).....	85 dB (A)
Sound power level (Uncertainty K=3dB(A)).....	96 dB (A)

Wear ear protectors!

Total vibration values (vector sum in the three axes) determined according to EN 60745.

Sawing of wood	
Vibration emission value a _h	6,41 m/s ²
Uncertainty K.....	1,5 m/s ²
Sawing of sheet metal	
Vibration emission value a _h	4,53 m/s ²
Uncertainty K.....	1,5 m/s ²

WARNING

The vibration emission level given in this information sheet has been measured in accordance with a standardized test given in EN 60745 and may be used to compare one tool with another. It may be used for a preliminary assessment of exposure.

The declared vibration emission level represents the main applications of the tool. However if the tool is used for different applications, with different accessories or poorly maintained, the vibration emission may differ. This may significantly increase the exposure level over the total working period.

An estimation of the level of exposure to vibration should also take into account the times when the tool is switched off or when it is running but not actually doing the job. This may significantly reduce the exposure level over the total working period. Identify additional safety measures to protect the operator from the effects of vibration such as: maintain the tool and the accessories, keep the hands warm, organisation of work patterns.

⚠ WARNING! Read all safety warnings and all instructions. Failure to follow the warnings and instructions may result in electric shock, fire and/or serious injury. **Save all warnings and instructions for future reference.**

⚠ JIG SAW SAFETY WARNINGS

Wear ear protectors. Exposure to noise can cause hearing loss.

Hold power tool by insulated gripping surfaces, when performing an operation where the cutting accessory may contact hidden wiring.

Cutting accessory contacting a „live“ wire may make exposed metal parts of the power tool „live“ and could give the operator an electric shock.

ADDITIONAL SAFETY AND WORKING INSTRUCTIONS

Use protective equipment. Always wear safety glasses when working with the machine. The use of protective clothing is recommended, such as dust mask, protective gloves, sturdy non-slip footwear, helmet and ear defenders.

The dust produced when using this tool may be harmful to health. Do not inhale the dust. Wear a suitable dust protection mask.

Do not machine any materials that present a danger to health (e.g. asbestos).

Switch the device off immediately if the insertion tool stalls! Do not switch the device on again while the insertion tool is stalled, as doing so could trigger a sudden recoil with a high reactive force. Determine why the insertion tool stalled and rectify this, paying heed to the safety instructions.

The possible causes may be:

- it is tilted in the workpiece to be machined
- it has pierced through the material to be machined

- the power tool is overloaded

Do not reach into the machine while it is running.

The insertion tool may become hot during use.

WARNING! Danger of burns

- when changing tools
- when setting the device down

Chips and splinters must not be removed while the machine is running.

When working in walls ceiling, or floor, take care to avoid electric cables and gas or waterpipes.

Clamp your workpiece with a clamping device. Unclamped workpieces can cause severe injury and damage.

Do not use cracked or distorted saw blades.

Plunge cuts without pre-drilling a hole are possible with soft materials (wood, light building materials for walls). Harder materials (metals) must first be drilled with a hole corresponding to the size of the saw blade.

Remove the battery pack before starting any work on the machine.

Do not dispose of used battery packs in the household refuse or by burning them. Milwaukee Distributors offer to retrieve old batteries to protect our environment.

Do not store the battery pack together with metal objects (short circuit risk).

No metal parts must be allowed to enter the battery section of the charger (short circuit risk).

Use only System M18 chargers for charging System M18 battery packs. Do not use battery packs from other systems.

Never break open battery packs and chargers and store only in dry rooms. Keep dry at all times.

Battery acid may leak from damaged batteries under extreme load or extreme temperatures. In case of contact with battery acid wash it off immediately with soap and water. In case of eye contact rinse thoroughly for at least 10 minutes and immediately seek medical attention.

SPECIFIED CONDITIONS OF USE

This jig saw can cut wood, plastic and metal; it can cut straight lines, bevels, curves, and internal cut-outs.

Do not use this product in any other way as stated for normal use.

EC-DECLARATION OF CONFORMITY

We declare under our sole responsibility that the product described under "Technical Data" fulfills all the relevant regulations and the directives 2011/65/EU (RoHS), 2014/30/EU, 2006/42/EC, and the following harmonized standards have been used:

- EN 60745-1:2009 + A11:2010
- EN 60745-2-11:2010
- EN 55014-1:2006 + A1:2009 + A2:2011
- EN 61000-4-2:2009
- EN 55014-2:1997 + A1:2001 + A2:2008
- EN 50581:2012

Winnenden, 2016-05-24

Alexander Krug

Alexander Krug
Managing Director



Authorized to compile the technical file

Techtronic Industries GmbH
Max-Eyth-Straße 10
71364 Winnenden
Germany

BATTERIES

Battery packs which have not been used for some time should be recharged before use.

Temperatures in excess of 50°C (122°F) reduce the performance of the battery pack. Avoid extended exposure to heat or sunshine (risk of overheating).

The contacts of chargers and battery packs must be kept clean.

For an optimum life-time, the battery packs have to be fully charged, after use.

To obtain the longest possible battery life remove the battery pack from the charger once it is fully charged.

For battery pack storage longer than 30 days:
Store the battery pack where the temperature is below 27°C and away from moisture

Store the battery packs in a 30% - 50% charged condition
Every six months of storage, charge the pack as normal.

BATTERY PACK PROTECTION LI-ION BATTERY

The battery pack has overload protection that protects it from being overloaded and helps to ensure long life.

Under extreme stress the battery electronics switch off the machine automatically. To restart, switch the machine off and then on again. If the machine does not start up again, the battery pack may have discharged completely. In this case it must be recharged in the battery charger.

TRANSPORTING LITHIUM BATTERIES

Lithium-ion batteries are subject to the Dangerous Goods Legislation requirements.

Transportation of those batteries has to be done in accordance with local, national and international provisions and regulations.

- The user can transport the batteries by road without further requirements.

- Commercial transport of Lithium-Ion batteries by third parties is subject to Dangerous Goods regulations. Transport preparation and transport are exclusively to be carried out by appropriately trained persons and the process has to be accompanied by corresponding experts.

When transporting batteries:

- Ensure that battery contact terminals are protected and insulated to prevent short circuit.
- Ensure that battery pack is secured against movement within packaging.
- Do not transport batteries that are cracked or leak.

Check with forwarding company for further advice

MAINTENANCE

The ventilation slots of the machine must be kept clear at all times.

Use only Milwaukee accessories and spare parts. Should components need to be replaced which have not been described, please contact one of our Milwaukee service agents (see our list of guarantee/service addresses).

If needed, an exploded view of the tool can be ordered. Please state the Article No. as well as the machine type printed on the label and order the drawing at your local service agents or directly at: Techtronic Industries GmbH, Max-Eyth-Straße 10, 71364 Winnenden, Germany.

SYMBOLS

	CAUTION! WARNING! DANGER!
	Remove the battery pack before starting any work on the machine.
	Please read the instructions carefully before starting the machine.
	Wear gloves!
	Wear ear protectors!
	Accessory - Not included in standard equipment, available as an accessory.
	Do not dispose of electric tools together with household waste material. Electric tools and electronic equipment that have reached the end of their life must be collected separately and returned to an environmentally compatible recycling facility. Check with your local authority or retailer for recycling advice and collection point.
	European Conformity Mark
	National mark of conformity Ukraine
	EurAsian Conformity Mark.

TECHNISCHE DATEN **AKKU-STICHSÄGE** **M18 BJS**

Produktionsnummer	4568 60 01...
.....	...000001-999999
Spannung Wechselakku	18 V
Leerlaufhubzahl	0-2800 min ⁻¹ (+/- 10%)
Hubhöhe	26 mm
Schrägschnitte bis	45°
Schnitttiefe max. in:	
Holz	55 mm
Aluminium	10 mm
Gewicht nach EPTA-Prozedur 01/2003 (4,0 Ah)	3,3 kg

Geräusch/Vibrationsinformation
 Messwerte ermittelt entsprechend EN 60 745.
 Der A-bewertete Geräuschpegel des Gerätes beträgt typischerweise:
 Schalldruckpegel (Unsicherheit K=3dB(A)) 85 dB (A)
 Schalleistungspegel (Unsicherheit K=3dB(A)) 96 dB (A)
Gehörschutz tragen!
 Schwingungsgesamtwerte (Vektorsumme dreier Richtungen) ermittelt entsprechend EN 60745.
 Sägen von Holz:
 Schwingungsemissionswert a_h 6,41 m/s²
 Unsicherheit K = 1,5 m/s²
 Sägen von Metallblech:
 Schwingungsemissionswert a_h 4,53 m/s²
 Unsicherheit K = 1,5 m/s²

WARNUNG
 Der in diesen Anweisungen angegebene Schwingungspegel ist entsprechend einem in EN 60745 genormten Messverfahren gemessen worden und kann für den Vergleich von Elektrowerkzeugen miteinander verwendet werden. Er eignet sich auch für eine vorläufige Einschätzung der Schwingungsbelastung.
 Der angegebene Schwingungspegel repräsentiert die hauptsächlichlichen Anwendungen des Elektrowerkzeugs. Wenn allerdings das Elektrowerkzeug für andere Anwendungen, mit abweichenden Einsatzwerkzeugen oder ungenügender Wartung eingesetzt wird, kann der Schwingungspegel abweichen. Dies kann die Schwingungsbelastung über den gesamten Arbeitszeitraum deutlich erhöhen.
 Für eine genaue Abschätzung der Schwingungsbelastung sollten auch die Zeiten berücksichtigt werden, in denen das Gerät abgeschaltet ist oder zwar läuft, aber nicht tatsächlich im Einsatz ist. Dies kann die Schwingungsbelastung über den gesamten Arbeitszeitraum deutlich reduzieren.
 Legen Sie zusätzliche Sicherheitsmaßnahmen zum Schutz des Bedieners vor der Wirkung von Schwingungen fest wie zum Beispiel: Wartung von Elektrowerkzeug und Einsatzwerkzeugen, Warmhalten der Hände, Organisation der Arbeitsabläufe.

⚠️ WARNUNG! Lesen Sie alle Sicherheitshinweise und Anweisungen. Versäumnisse bei der Einhaltung der Sicherheitshinweise und Anweisungen können elektrischen Schlag, Brand und/oder schwere Verletzungen verursachen. **Bewahren Sie alle Sicherheitshinweise und Anweisungen für die Zukunft auf.**



⚠️ SICHERHEITSHINWEISE FÜR STICHSÄGEN
Tragen Sie Gehörschutz. Die Einwirkung von Lärm kann Hörverlust bewirken.
Halten Sie das Gerät an den isolierten Griffflächen, wenn Sie Arbeiten ausführen, bei denen das Einsatzwerkzeug verborgene Stromleitungen treffen kann. Der Kontakt des Einsatzwerkzeugs mit einer spannungsführenden Leitung kann metallene Geräteteile unter Spannung setzen und zu einem elektrischen Schlag führen.

WEITERE SICHERHEITS- UND ARBEITSHINWEISE
 Schutzausrüstung verwenden. Beim Arbeiten mit der Maschine stets Schutzbrille tragen. Schutzkleidung wie Staubschutzmaske, Schutzhandschuhe, festes und rutschsicheres Schuhwerk, Helm und Gehörschutz werden empfohlen.
 Beim Arbeiten entstehender Staub ist oft gesundheitsschädlich und sollte nicht in den Körper gelangen. Geeignete Staubschutzmaske tragen.
 Es dürfen keine Materialien bearbeitet werden, von denen eine Gesundheitsgefährdung ausgeht (z.B. Asbest).

Beim Blockieren des Einsatzwerkzeuges bitte das Gerät sofort ausschalten! Schalten Sie das Gerät nicht wieder ein, solange das Einsatzwerkzeug blockiert ist; hierbei könnte ein Rückschlag mit hohem Reaktionsmoment entstehen. Ermitteln und beheben Sie die Ursache für die Blockierung des Einsatzwerkzeuges unter Berücksichtigung der Sicherheitshinweise.
 Mögliche Ursachen dafür können sein:
 • Verkanten im zu bearbeitenden Werkstück
 • Durchbrechen des zu bearbeitenden Materials
 • Überlasten des Elektrowerkzeuges
 Greifen Sie nicht in die laufende Maschine.
 Das Einsatzwerkzeug kann während der Anwendung heiß werden.
WARNUNG! Verbrennungsgefahr
 • bei Werkzeugwechsel
 • bei Ablegen des Gerätes
 Späne oder Splitter dürfen bei laufender Maschine nicht entfernt werden.
 Beim Arbeiten in Wand, Decke oder Fußboden auf elektrische Kabel, Gas- und Wasserleitungen achten.
 Sichern Sie Ihr Werkstück mit einer Spannvorrichtung. Nicht gesicherte Werkstücke können schwere Verletzungen und Beschädigungen verursachen.
 Rissige Sägeblätter oder solche, die ihre Form verändert haben, dürfen nicht verwendet werden!
 Tauchsägen ist nur in weichen Materialien (Holz, Leichtbaustoffe für Wände) möglich, bei härteren











Materialien (Metalle) muss eine dem Sägeblatt entsprechend große Bohrung angebracht werden.
 Vor allen Arbeiten an der Maschine den Wechselakku herausnehmen
 Verbrauchte Wechselakku nicht ins Feuer oder in den Hausmüll werfen. Milwaukee bietet eine umweltgerechte Alt-Wechselakku-Entsorgung an; bitte fragen Sie Ihren Fachhändler.
 Wechselakku nicht zusammen mit Metallgegenständen aufbewahren (Kurzschlussgefahr).
 In den Wechselakku-Einschubschacht der Ladegeräte dürfen keine Metallteile gelangen (Kurzschlussgefahr).
 Wechselakkus des Systems M18 nur mit Ladegeräten des Systems M18 laden. Keine Akkus aus anderen Systemen laden.
 Wechselakkus und Ladegeräte nicht öffnen und nur in trockenen Räumen lagern. Vor Nässe schützen.
 Unter extremer Belastung oder extremer Temperatur kann aus beschädigten Wechselakkus Batterieflüssigkeit auslaufen. Bei Berührung mit Batterieflüssigkeit sofort mit Wasser und Seife abwaschen. Bei Augenkontakt sofort mindestens 10 Minuten gründlich spülen und unverzüglich einen Arzt aufsuchen.

BESTIMMUNGSGEMÄSSE VERWENDUNG
 Die Stichsäge sägt Holz, Kunststoff und Metall. Sie schneidet Geraden, Gehrungen, Kurven und Innenausschnitte.
 Dieses Gerät darf nur wie angegeben bestimmungsgemäß verwendet werden.
CE-KONFORMITÄTserklärung
 Wir erklären in alleiniger Verantwortung, dass das unter „Technische Daten“ beschriebene Produkt mit allen relevanten Vorschriften der Richtlinie 2011/65/EU (RoHS), 2014/30/EU, 2006/42/EG und den folgenden harmonisierten normativen Dokumenten übereinstimmt:
 EN 60745-1:2009 + A11:2010
 EN 60745-2-11:2010
 EN 55014-1:2006 + A1:2009 + A2:2011
 EN 61000-4-2:2009
 EN 55014-2:1997 + A1:2001 + A2:2008
 EN 50581:2012

Winnenden, 2016-05-24

 Alexander Krug
 Managing Director
 Bevollmächtigt die technischen Unterlagen zusammenzustellen
 Techtronic Industries GmbH
 Max-Eyth-Straße 10
 71364 Winnenden
 Germany


AKKUS
 Längere Zeit nicht benutzte Wechselakkus vor Gebrauch nachladen.
 Eine Temperatur über 50°C vermindert die Leistung des Wechselakkus. Längere Erwärmung durch Sonne oder Heizung vermeiden.
 Die Anschlusskontakte an Ladegerät und Wechselakku sauber halten.
 Für eine optimale Lebensdauer müssen nach dem Gebrauch die Akkus voll geladen werden.
 Für eine möglichst lange Lebensdauer sollten die Akkus nach dem Aufladen aus dem Ladegerät entfernt werden.
 Bei Lagerung des Akkus länger als 30 Tage: Akku bei ca. 27°C und trocken lagern.

Akku bei ca. 30%-50% des Ladezustandes lagern. Akku alle 6 Monate erneut aufladen.
WARTUNG
 Stets die Lüftungsschlitze der Maschine sauber halten.
 Nur Milwaukee Zubehör und Ersatzteile verwenden. Bauteile, deren Austausch nicht beschrieben wurde, bei einer Milwaukee Kundendienststelle auswechseln lassen (Broschüre Garantie/Kundendienstadressen beachten).
 Bei Bedarf kann eine Explosionszeichnung des Gerätes unter Angabe der Maschinen Type und der sechsstelligen Nummer auf dem Leistungsschild bei Ihrer Kundendienststelle oder direkt bei Techtronic Industries GmbH, Max-Eyth-Straße 10, 71364 Winnenden, Germany angefordert werden.

	ACHTUNG! WARNUNG! GEFAHR!
	Vor allen Arbeiten an der Maschine den Wechselakku herausnehmen
	Bitte lesen Sie die Gebrauchsanweisung vor Inbetriebnahme sorgfältig durch.
	Schutzhandschuhe tragen!
	Gehörschutz tragen!
	Zubehör - Im Lieferumfang nicht enthalten, empfohlene Ergänzung aus dem Zubehörprogramm.
	Elektrogeräte dürfen nicht zusammen mit dem Hausmüll entsorgt werden. Elektrische und elektronische Geräte sind getrennt zu sammeln und zur umweltgerechten Entsorgung bei einem Verwertungsbetrieb abzugeben. Erkundigen Sie sich bei den örtlichen Behörden oder bei Ihrem Fachhändler nach Recyclinghöfen und Sammelstellen.
	CE-Zeichen
	Nationales Konformitätszeichen Ukraine
	EurAsian Conformity Mark.

CARACTÉRISTIQUES TECHNIQUES SCIE SAUTEUSE SANS FIL M18 BJS

Numéro de série	4568 60 01...
.....	...000001-999999
Tension accu interchangeable	18 V
Nombre de courses à vide.....	0-2800 min ⁻¹ (+/- 10%)
Hauteur de la course	26 mm
Coupe de biais jusqu'à	45°
Profondeur de coupe max. :	
Bois.....	55 mm
Aluminium	10 mm
Poids suivant EPTA-Procédure 01/2003 (4,0 Ah).....	3,3 kg

Informations sur le bruit et les vibrations
 Valeurs de mesure obtenues conformément à la EN 60 745.
 Les mesures réelles (A) des niveaux acoustiques de l'appareil sont :

Niveau de pression acoustique (Incertitude K=3dB(A))	85 dB (A)
Niveau d'intensité acoustique (Incertitude K=3dB(A))	96 dB (A)

Toujours porter une protection acoustique!
 Valeurs totales des vibrations (somme vectorielle de trois sens) établies conformément à EN 60745.

Sciage du bois	
Valeur d'émission vibratoire a _h	6,41 m/s ²
Incertitude K	1,5 m/s ²
Sciage de la tôle métallique	
Valeur d'émission vibratoire a _h	4,53 m/s ²
Incertitude K	1,5 m/s ²

AVERTISSEMENT
 Le niveau vibratoire indiqué dans ces instructions a été mesuré selon un procédé de mesure normalisé dans la norme EN 60745 et peut être utilisé pour comparer des outils électriques entre eux. Il convient aussi à une estimation provisoire de la sollicitation par les vibrations.
 Le niveau vibratoire indiqué représente les applications principales de l'outil électrique. Toutefois, si l'outil électrique est utilisé pour d'autres applications, avec des outils rapportés qui diffèrent ou une maintenance insuffisante, il se peut que le niveau vibratoire diverge. Cela peut augmenter nettement la sollicitation par les vibrations sur tout l'intervalle de temps du travail.
 Pour une estimation précise de la sollicitation par les vibrations, on devrait également tenir compte des temps pendant lesquels l'appareil n'est pas en marche ou tourne sans être réellement en service. Cela peut réduire nettement la sollicitation par les vibrations sur tout l'intervalle de temps du travail.
 Définissez des mesures de sécurité supplémentaires pour protéger l'utilisateur contre l'influence des vibrations, comme par exemple : la maintenance de l'outil électrique et des outils rapportés, le maintien au chaud des mains, l'organisation des déroulements de travail.

AVIS! Lire complètement les instructions et les indications de sécurité. Le non-respect des avertissements et instructions indiqués ci après peut entraîner un choc électrique, un incendie et/ou de graves blessures sur les personnes.
Bien garder tous les avertissements et instructions.

CONSIGNES DE SÉCURITÉ CONCERNANT LES SCIES ALTERNATIVES

Portez une protection acoustique. L'influence du bruit peut provoquer la surdité.
Maintenez l'appareil par les surfaces de poignée isolées lorsque vous exécutez des travaux pendant lesquels l'outil de coupe peut toucher des lignes électriques dissimulées. Le contact avec un câble sous tension met les parties métalliques de l'appareil sous tension et provoque une décharge électrique.

AVIS COMPLÉMENTAIRES DE SÉCURITÉ ET DE TRAVAIL

Utiliser l'équipement de protection. Toujours porter des lunettes de protection pendant le travail avec la machine. Il est recommandé de porter des articles de protection, tels que masque antipoussière, gants de protection, chaussures tenant bien aux pieds et antidérapantes, casque et protection acoustique.
 Les poussières qui sont dégagées pendant les travaux sont souvent nocives pour la santé et ne devraient pas pénétrer dans le corps. Porter un masque de protection approprié contre les poussières.
 Il est interdit de travailler des matériaux dangereux pour la santé (par ex. amiante).

Désactiver immédiatement le dispositif en cas de blocage !
 Ne pas réactiver le dispositif avec l'outil bloqué; il y a le risque de provoquer un contre-coup avec moment de réaction élevé. Établir et éliminer la cause du blocage de l'outil en prêtant attention aux consignes de sécurité.

- Les causes possibles sont :
- Encastrement dans la pièce à travailler.
 - Le dispositif a traversé le matériau à travailler en le cassant.
 - Le dispositif électrique a été surchargé.

Ne pas approcher les mains de la partie en mouvement de la machine.

Durant l'utilisation, l'outil peut se surchauffer.
AVERTISSEMENT! Danger de brûlures
 • durant le remplacement de l'outil
 • durant la dépose de l'outil

Ne jamais enlever les copeaux ni les éclats lorsque la machine est en marche.

Lors du perçage dans les murs, les plafonds ou les planchers, toujours faire attention aux câbles électriques et aux conduites de gaz et d'eau.

Fixer fermement la pièce en exécution à l'aide d'un dispositif de serrage. Des pièces en exécution non fermement fixées peuvent provoquer des dommages et des lésions graves.

Ne pas utiliser de lames de scie fissurées ou déformées.

Le sciage en plongée n'est possible que dans des matériaux tendres (bois, matériaux de construction légers pour les murs). Si les matériaux sont plus durs (métaux), une percée plus importante doit être faite au moyen de la lame.

Avant tous travaux sur la machine retirer l'accu interchangeable.
 Ne pas jeter les accus interchangeables usés au feu ou avec les déchets ménagers. Milwaukee offre un système d'évacuation écologique des accus usés.
 Ne pas conserver les accus interchangeables avec des objets métalliques (risque de court-circuit)
 Aucune pièce métallique ne doit pénétrer dans le logement d'accu du chargeur (risque de court-circuit)
 Ne charger les accus interchangeables du système M18 qu'avec le chargeur d'accus du système M18. Ne pas charger des accus d'autres systèmes.
 Ne pas ouvrir les accus interchangeables et les chargeurs et ne les stocker que dans des locaux secs. Les protéger contre l'humidité.

En cas de conditions ou températures extrêmes, du liquide caustique peut s'échapper d'un accu interchangeable endommagé. En cas de contact avec le liquide caustique de la batterie, laver immédiatement avec de l'eau et du savon. En cas de contact avec les yeux, rincer soigneusement avec de l'eau et consulter immédiatement un médecin.

UTILISATION CONFORME AUX PRESCRIPTIONS

La scie sauteuse permet de scier du bois, des matières plastiques et du métal. Elle permet des découpes rectilignes et curvilignes, des coupes d'onglet et des découpes intérieures.
 Comme déjà indiqué, cette machine n'est conçue que pour être utilisée conformément aux prescriptions.

DÉCLARATION CE DE CONFORMITÉ

Nous déclarons sous notre seule responsabilité que le produit décrit sous « Caractéristiques techniques » concorde avec toutes les consignes pertinentes de la directive 2011/65 EU (RoHS), 2014/30/UE, 2006/42/CE et les documents normatifs harmonisés suivants :

EN 60745-1:2009 + A11:2010
 EN 60745-2-11:2010
 EN 55014-1:2006 + A1:2009 + A2:2011
 EN 61000-4-2:2009
 EN 55014-2:1997 + A1:2001 + A2:2008
 EN 50581:2012

Winnenden, 2016-05-24

Alexander Krug

CE

Alexander Krug
 Managing Director
 Autorisé à compiler la documentation technique.
 Techtronic Industries GmbH
 Max-Eyth-Straße 10
 71364 Winnenden
 Germany











ACCUS

Recharger les accus avant utilisation après une longue période de non utilisation.
 Une température supérieure à 50°C amoindrit la capacité des accus. Éviter les expositions prolongées au soleil ou au chauffage.
 Tenir propres les contacts des accus et des chargeurs.
 Pour une durée de vie optimale, les accus doivent être chargés à fond après l'utilisation.
 Pour une plus longue durée de vie, enlever les batteries du chargeur de batterie quand celles-ci seront chargées.
 En cas d'entreposage de la batterie pour plus de 30 jours: Entreposer la batterie à 27°C environ dans un endroit sec. Entreposer la batterie avec une charge d'environ 30% - 50%. Recharger la batterie tous les 6 mois.

ENTRETIEN

Tenir toujours propres les orifices de ventilation de la machine.
 N'utiliser que des pièces et accessoires Milwaukee. Pour des pièces dont l'échange n'est pas décrit, s'adresser de préférence aux stations de service après-vente Milwaukee (voir brochure Garantie/Adresses des stations de service après-vente).
 Si besoin est, une vue éclatée de l'appareil peut être fournie. S'adresser, en indiquant bien le numéro porté sur la plaque signalétique, à votre station de service après-vente (voir liste jointe) ou directement à Techtronic Industries GmbH, Max-Eyth-Straße 10, 71364 Winnenden, Germany.

SYMBOLES

	ATTENTION! AVERTISSEMENT! DANGER!
	Avant tous travaux sur la machine retirer l'accu interchangeable.
	Veuillez lire avec soin le mode d'emploi avant la mise en service
	Porter des gants de protection!
	Toujours porter une protection acoustique!
	Accessoires - Ces pièces ne font pas partie de la livraison. Il s'agit là de compléments recommandés pour votre machine et énumérés dans le catalogue des accessoires.
	Les dispositifs électriques ne sont pas à éliminer dans les déchets ménagers. Les dispositifs électriques et électroniques sont à collecter séparément et à remettre à un centre de recyclage en vue de leur élimination dans le respect de l'environnement. S'adresser aux autorités locales ou au détaillant spécialisé en vue de connaître l'emplacement des centres de recyclage et des points de collecte.
	Marque CE
	Symbole national de conformité Ukraine.
	EurAsian Conformity Mark.

DATI TECNICI	SEGHETTO A BATTERIA	M18 BJS
Numero di serie	4568 60 01...	...000001-999999
Tensione batteria	18 V	
Numero di corse a vuoto	0-2800 min ⁻¹ (+/- 10%)	
Altezza corsa	26 mm	
Tagli obliqui fino a	45°	
Massima profondità di taglio nel:		
Legno	55 mm	
Alluminio	10 mm	
Peso secondo la procedura EPTA 01/2003 (4,0 Ah)	3,3 kg	

Informazioni sulla rumorosità/sulle vibrazioni

Valori misurati conformemente alla norma EN 60 745.

La misurazione A del livello di pressione acustica dell'utensile è di solito di:

Livello di rumorosità (Incertezza della misura K=3dB(A))..... 85 dB (A)

Potenza della rumorosità (Incertezza della misura K=3dB(A))... 96 dB (A)

Utilizzare le protezioni per l'udito!

Valori totali delle oscillazioni (somma di vettori in tre direzioni)

misurati conformemente alla norma EN 60745

Segatura di legno

Valore di emissione dell'oscillazione a_h 6,41 m/s²

Incertezza della misura K..... 1,5 m/s²

Segatura di lamiera

Valore di emissione dell'oscillazione a_h 4,53 m/s²

Incertezza della misura K..... 1,5 m/s²

AVVERTENZA

Il livello di vibrazioni indicato nelle presenti istruzioni è stato misurato in conformità con un procedimento di misurazione codificato nella EN 60745 e può essere utilizzato per un confronto tra attrezzi elettrici. Inoltre si può anche utilizzare per una valutazione preliminare della sollecitazione da vibrazioni.

Il livello di vibrazioni indicato rappresenta le applicazioni principali dell'attrezzo elettrico. Se viceversa si utilizza l'attrezzo elettrico per altri scopi, con accessori differenti o con una manutenzione insufficiente, il livello di vibrazioni può risultare diverso. E questo può aumentare decisamente la sollecitazione da vibrazioni lungo l'intero periodo di lavorazione.

Ai fini di una valutazione precisa della sollecitazione da vibrazioni si dovrebbero tenere presente anche i periodi in cui l'apparecchio rimane spento oppure, anche se acceso, non viene effettivamente utilizzato. Ciò può ridurre notevolmente la sollecitazione da vibrazioni lungo l'intero periodo di lavorazione.

Stabilite misure di sicurezza supplementari per la tutela dell'operatore dall'effetto delle vibrazioni, come ad esempio: manutenzione dell'attrezzo elettrico e degli accessori, riscaldamento delle mani, organizzazione dei processi di lavoro.

AVVERTENZA! Leggere tutte le istruzioni ed indicazioni di sicurezza. In caso di mancato rispetto delle avvertenze di pericolo e delle istruzioni operative si potrà creare il pericolo di scosse elettriche, incendi e/o incidenti gravi.

Conservare tutte le avvertenze di pericolo e le istruzioni operative per ogni esigenza futura.

INDICAZIONI DI SICUREZZA PER SEGHE ALTERNATIVE

Indossare protezioni acustiche adeguate. L'esposizione prolungata al rumore senza protezione può causare danni all'udito.

Impugnare l'apparecchio sulle superfici di tenuta isolate mentre si eseguono lavori durante i quali l'utensile da taglio potrebbe entrare in contatto con cavi di corrente. L'eventuale contatto dell'utensile da taglio con un cavo sotto tensione potrebbe mettere sotto tensione le parti metalliche dell'apparecchio e provocare una folgorazione.

ULTERIORI AVVISI DI SICUREZZA E DI LAVORO

Usare dispositivi di protezione. Durante il lavoro con la macchina bisogna sempre portare occhiali di protezione. Si consiglia di indossare indumenti di protezione come maschera antipolvere, guanti di protezione, scarpe antiscivolo robuste, casco e cuffie di protezione acustica.

La polvere che si produce durante il lavoro è spesso dannosa per la salute e non dovrebbe essere aspirata. Portare un'adeguata mascherina protettiva.

E' vietato lavorare materiali che possono costituire pericoli alla salute (ad es. amianto).

Spegnere immediatamente il dispositivo in caso di bloccaggio! Non riaccendere il dispositivo fino a quando l'utensile ad inserto resta bloccato; esiste il rischio di causare un contraccolpo con elevato momento di reazione. Rilevare ed eliminare la causa del bloccaggio dell'utensile ad inserto tenendo conto delle indicazioni di sicurezza.

Le possibili cause sono:

- Incastro nel pezzo in lavorazione
- Il dispositivo ha attraversato il materiale da lavorare rompendolo
- Il dispositivo elettrico è stato sovraccaricato

Non avvicinare le mani alla parte della macchina in movimento.

Durante l'uso l'utensile ad inserto può surriscaldarsi.

AVVERTENZA! Pericolo di ustioni

- durante la sostituzione dell'utensile
- durante il deposito dell'utensile

Non rimuovere trucioli o schegge mentre l'utensile è in funzione.

Forando pareti, soffitti o pavimenti, si faccia attenzione ai cavi elettrici e alle condutture dell'acqua e del gas.

Fissare in sicurezza il pezzo in lavorazione con un dispositivo di serraggio. Pezzi in lavorazione che non siano fissati in sicurezza possono causare gravi lesioni e danni.

Non devono essere utilizzate nè lame incrinata nè lame la cui forma abbia subito alterazioni.

E' possibile effettuare tagli ad immersione solo nei materiali dolci (legno, materiali per costruzione leggera) per i materiali (metalli) duri è invece necessario praticare un foro adatto alle dimensioni della lama.

Prima di iniziare togliere la batteria dalla macchina.

Non gettare le batterie esaurite sul fuoco o nella spazzatura di casa. La Milwaukee offre infatti un servizio di recupero batterie usate.

Nel vano d'innesto per la batteria del caricatore non devono entrare parti metalliche.(pericolo di cortocircuito).

Non conservare le batterie con oggetti metallici (pericolo di cortocircuito).

Le batterie del System M18 sono ricaricabili esclusivamente con i caricatori del System M18. Le batterie di altri sistemi non possono essere ricaricate.

Non aprire nè la batteria nè il caricatore e conservarli solo in luogo asciutto. Proteggerli dalla umidità.

Nel caso di batterie danneggiate da un carico eccessivo o da temperature alte, l'acido di queste potrebbe fuoriuscire. In caso di contatto con l'acido delle batterie lavarsi immediatamente con acqua e sapone. In caso di contatto con gli occhi risciacquare immediatamente con acqua per almeno 10 minuti e contattare subito un medico.

UTILIZZO CONFORME

Questo seghetto alternativo può essere utilizzato per lavorare legno, materiale sintetico e acciaio: per effettuare tagli diritti e obliqui, curve e per tagli all' interno del materiale.

Utilizzare il prodotto solo per l'uso per cui è previsto.

DICHIARAZIONE DI CONFORMITÀ CE

Dichiaro sotto la nostra esclusiva responsabilità che il prodotto descritto ai "Dati tecnici" corrisponde a tutte le disposizioni delle direttive 2011/65/EU (RoHS), 2014/30/UE, 2006/42/CE e successivi documenti normativi armonizzati:

EN 60745-1:2009 + A11:2010

EN 60745-2-11:2010

EN 55014-1:2006 + A1:2009 + A2:2011

EN 61000-4-2:2009

EN 55014-2:1997 + A1:2001 + A2:2008

EN 50581:2012

Winnenden, 2016-05-24

Alexander Krug

Alexander Krug
Managing Director



Autorizzato alla preparazione della documentazione tecnica ad inserto tenendo conto delle indicazioni di sicurezza.
Techtronic Industries GmbH
Max-Eyth-Straße 10
71364 Winnenden
Germany

BATTERIE

Batterie non utilizzate per molto tempo devono essere ricaricate prima dell'uso.

A temperature superiori ai 50°C , la potenza della batteria si riduce.

Evitare di esporre l'accumulatore a surriscaldamento prolungato, dovuto ad esempio ai raggi del sole o ad un impianto di riscaldamento.

Per una ottimale vita utile è necessario ricaricare completamente le batterie dopo l'uso.

Per una più lunga durata, rimuovere le batterie dal caricabatterie quando saranno cariche.

In caso di immagazzinaggio della batteria per più di 30 giorni:

Immagazzinare la batteria a circa 27°C in ambiente asciutto.

Immagazzinare la batteria con carica di circa il 30% - 50%.

Ricaricare la batteria ogni 6 mesi.

MANUTENZIONE

Tener sempre ben pulite le fessure di ventilazione dell'apparecchio.

Utilizzare esclusivamente accessori e pezzi di ricambio Milwaukee. L'installazione di pezzi di ricambio non specificamente prescritti dall'Milwaukee va preferibilmente effettuata dal servizio di assistenza clienti Milwaukee (ved. opuscolo Garanzia/Indirizzi Assistenza tecnica).

In caso di mancanza del disegno esploso, può essere richiesto al seguente indirizzo: Techtronic Industries GmbH, Max-Eyth-Straße 10, 71364 Winnenden, Germany.

Simboli



ATTENZIONE! AVVERTENZA! PERICOLO!



Prima di iniziare togliere la batteria dalla macchina.



Leggere attentamente le istruzioni per l'uso prima di mettere in funzione l'elettroutensile.



Indossare guanti protettivi!



Utilizzare le protezioni per l'udito!



Accessorio - Non incluso nella dotazione standard, disponibile a parte come accessorio.



I dispositivi elettrici non devono essere smaltiti con i rifiuti domestici. I dispositivi elettrici ed elettronici devono essere raccolti separatamente e devono essere conferiti ad un centro di riciclaggio per lo smaltimento rispettoso dell'ambiente. Chiedere alle autorità locali o al rivenditore specializzato dove si trovano i centri di riciclaggio e i punti di raccolta.



Marchio CE



Simbolo di conformità nazionale Ucraina



EurAsian Conformity Mark.

DATOS TÉCNICOS	SIERRA CALAR A BATERIA	M18 BJS
Número de producción	4568 60 01...	...000001-999999
Voltaje de batería.....	18 V	
Nº de carreras en vacío.....	0-2800 min ⁻¹ (+/- 10%)	
Carrera	26 mm	
Cortes sesgados hasta.....	45°	
Profundidad de corte máx. en:		
Madera	55 mm	
Aluminio	10 mm	
Peso de acuerdo con el procedimiento EPTA 01/2003 (4,0 Ah).....	3,3 kg	

Información sobre ruidos / vibraciones

Determinación de los valores de medición según norma EN 60 745.

El nivel de ruido típico del aparato determinado con un filtro

A corresponde a:

Presión acústica (Tolerancia K=3dB(A))..... 85 dB (A)

Resonancia acústica (Tolerancia K=3dB(A))..... 96 dB (A)

Usar protectores auditivos!

Nivel total de vibraciones (suma vectorial de tres direcciones) determinado según EN 60745.

Aserrado de madera

Valor de vibraciones generadas a_h..... 6,41 m/s²

Tolerancia K..... 1,5 m/s²

Aserrado de chapa metálica

Valor de vibraciones generadas a_h..... 4,53 m/s²

Tolerancia K..... 1,5 m/s²

ADVERTENCIA

El nivel vibratorio indicado en estas instrucciones ha sido medido conforme a un método de medición estandarizado en la norma EN 60745, y puede utilizarse para la comparación entre herramientas eléctricas. También es apropiado para una estimación provisional de la carga de vibración.

El nivel vibratorio indicado representa las aplicaciones principales de la herramienta eléctrica. Si, pese a ello, se utiliza la herramienta eléctrica para otras aplicaciones, con útiles adaptables diferentes o con un mantenimiento insuficiente, el nivel vibratorio puede diferir. Esto puede incrementar sensiblemente la carga de vibración durante todo el periodo de trabajo.

Para una estimación exacta de la carga de vibración deberían tenerse en cuenta también los tiempos durante los que el aparato está apagado o, pese a estar en funcionamiento, no está siendo realmente utilizado. Esto puede reducir sustancialmente la carga de vibración durante todo el periodo de trabajo.

Adopte medidas de seguridad adicionales para la protección del operador frente al efecto de las vibraciones, como por ejemplo: mantenimiento de la herramienta eléctrica y de los útiles adaptables, mantener las manos calientes, organización de los procesos de trabajo.

⚠ ATENCIÓN: Lea atentamente las indicaciones e instrucciones de seguridad. En caso de no atenderse a las advertencias de peligro e instrucciones siguientes, ello puede ocasionar una descarga eléctrica, un incendio y/o lesión grave.

Guardar todas las advertencias de peligro e instrucciones para futuras consultas.

⚠ INSTRUCCIONES DE SEGURIDAD PARA SIERRAS DE CALAR

¡Utilice protección auditiva! La exposición a niveles de ruido excesivos puede causar pérdida de audición

Sujete el aparato de las superficies aisladas de agarre al efectuar trabajos en los cuales la perforadora de percusión pueda entrar en contacto con conductores de corriente ocultos. El contacto con conductores portadores de tensión puede hacer que las partes metálicas del aparato le provoquen una descarga eléctrica.

INSTRUCCIONES ADICIONALES DE SEGURIDAD Y LABORALES

Utilice el equipamiento de protección. Mientras trabaje con la máquina lleve siempre gafas protectoras. Se recomienda utilizar ropa de protección como máscara protectora contra el polvo, guantes protectores, calzado resistente y antideslizante, casco y protección para los oídos.

El polvo que se produce durante estos trabajos puede ser nocivo a la salud; es por ello es aconsejable que no penetre al cuerpo. Utilice por ello una máscara protectora contra polvo.

No se deben trabajar materiales que conlleven un riesgo para la salud (por ej. amianto).

¡En caso de que se bloquee el útil, el aparato se debe desconectar inmediatamente! No vuelva a conectar el aparato, mientras el útil esté bloqueado; se podría producir un rechazo debido a la reacción de retroceso brusca. Averigüe y elimine la causa del bloqueo del útil, teniendo en cuenta las indicaciones de seguridad.

Causas posibles para ello pueden ser:

- Atascamiento o bloqueo en la pieza de trabajo
- Rotura del material con el que está trabajando
- Sobrecarga de la herramienta eléctrica

No introduzca las manos en la máquina mientras ésta se encuentra en funcionamiento.

El útil se puede calentar durante el uso. **ADVERTENCIA!** Peligro de quemaduras

- en caso de cambiar la herramienta
- en caso de depositar el aparato

Nunca se debe intentar limpiar el polvo o viruta procedente del taladrado con la máquina en funcionamiento.

Para trabajar en paredes, techo o suelo, tenga cuidado para evitar los cables eléctricos y tuberías de gas o agua.

Fije la pieza de trabajo con un dispositivo de fijación. Las piezas de trabajo no fijadas pueden causar lesiones graves y deterioros.

No usar seguetas rajadas o torcidas.

En materiales blandos (madera, materiales ligeros de construcción para paredes) es posible hacer cortes verticales sin taladrar primero un agujero. En materiales

duros (metales) primero se debe taladrar un agujero de acuerdo con el tamaño de la seguenta.

Retire la batería antes de comenzar cualquier trabajo en la máquina.

No tire las baterías usadas a la basura ni al fuego. Los Distribuidores Milwaukee ofrecen un servicio de recogida de baterías antiguas para proteger el medio ambiente.

No almacene la batería con objetos metálicos (riesgo de cortocircuito).

No introduzca en la cavidad del cargador objetos metálicos (riesgo de cortocircuito).

Recargue solamente los acumuladores del Sistema M18 en cargadores M18. No intentar recargar acumuladores de otros sistemas.

No abra nunca las baterías ni los cargadores y guárdelos sólo en lugares secos. Protéjalos de la humedad en todo momento.

En caso de sobrecarga o alta temperatura, pueden llegar a producirse escapes de ácido provenientes de la batería. En caso de contacto con éste, limpie inmediatamente la zona con agua y jabón. Si el contacto es en los ojos, límpiense concienzudamente con agua durante 10 minutos y acuda inmediatamente a un médico

APLICACIÓN DE ACUERDO A LA FINALIDAD

Esta sierra de calar puede cortar madera, plástico y metal; puede cortar líneas rectas, biseles, curvas y efectuar cortes internos.

No utilice este producto para ninguna otra aplicación que no sea su uso normal.

DECLARACION DE CONFORMIDAD CE

Declaramos bajo nuestra responsabilidad que el producto descrito bajo "Datos técnicos" está en conformidad con todas las normas relevantes de la directiva 2011/65/EU (RoHS), 2014/30/UE, 2006/42/CE y con las siguientes normas o documentos normalizados:

EN 60745-1:2009 + A11:2010

EN 60745-2-11:2010

EN 55014-1:2006 + A1:2009 + A2:2011

EN 61000-4-2:2009

EN 55014-2:1997 + A1:2001 + A2:2008

EN 50581:2012

Winnenden, 2016-05-24



Alexander Krug
Managing Director



Autorizado para la redacción de los documentos técnicos.

Techtronic Industries GmbH
Max-Eyth-Straße 10
71364 Winnenden
Germany

BATERIA

Las baterías no utilizadas durante cierto tiempo deben ser recargadas antes de usar.

Las temperaturas superiores a 50°C reducen el rendimiento de la batería. Evite una exposición excesiva a fuentes de calor o al sol (riesgo de sobrecalentamiento).

Los puntos de contacto de los cargadores y las baterías se deben mantener limpios.

Para un tiempo óptimo de vida, deberán cargarse las baterías completamente después de su uso.

Para garantizar la máxima capacidad y vida útil, las baterías recargables se deberían retirar del cargador una vez finalizada la carga.

En caso de almacenar la batería recargable más de 30 días:

Almacenar la batería recargable en un lugar seco a una

temperatura de aproximadamente 27°C. Almacenar la batería recargable con un estado de carga del 30% y 50% aproximadamente. Recargar la batería cada 6 meses.

MANTENIMIENTO

Las ranuras de ventilación de la máquina deben estar despejadas en todo momento.

Solo se deben utilizar accesorios y piezas de repuestos Milwaukee. Piezas cuyo recambio no está descrito en las instrucciones de uso, deben sustituirse en un centro de asistencia técnica Milwaukee (Consulte el folleto Garantía/ Direcciones de Centros de Asistencia Técnica).

En caso necesario, puede solicitar un despiece de la herramienta. Por favor indique el número de impreso que hay en la etiqueta y pida el despiece a la siguiente dirección: Techtronic Industries GmbH, Max-Eyth-Straße 10, 71364 Winnenden, Germany.

SÍMBOLOS



¡ATENCIÓN! ¡ADVERTENCIA! ¡PELIGRO!



Retire la batería antes de comenzar cualquier trabajo en la máquina.



Lea las instrucciones detenidamente antes de conectar la herramienta



Usar guantes protectores



Usar protectores auditivos!



Accesorio - No incluido en el equipo estándar, disponible en la gama de accesorios.



Los aparatos eléctricos no se deben eliminar junto con la basura doméstica. Los aparatos eléctricos y electrónicos se deben recoger por separado y se deben entregar a una empresa de reciclaje para una eliminación respetuosa con el medio ambiente. Infórmese en las autoridades locales o en su tienda especializada sobre los centros de reciclaje y puntos de recogida.



Marca CE



Marca de conformidad nacional de Ucrania



EurAsian Conformity Mark.

CARACTERÍSTICAS TÉCNICAS SERRA DE RECORTE A BATERIA**M18 BJS**

Número de produção.....	4568 60 01...
	...000001-999999
Tensão do acumulador	18 V
Nº. de cursos em vazio.....	0-2800 min ⁻¹ (+/- 10%)
Curso	26 mm
Cortes oblíquos até	45°
Profundidade de corte máx. em	
Madeira.....	55 mm
Alumínio	10 mm
Peso nos termos do procedimento-EPTA 01/2003 (4,0 Ah)...	3,3 kg

Informações sobre ruído/vibração

Valores de medida de acordo com EN 60 745.

O nível de ruído avaliado A do aparelho é tipicamente:

Nível da pressão de ruído (Incertez K=3dB(A))	85 dB (A)
Nível da potência de ruído (Incertez K=3dB(A)).....	96 dB (A)

Use protectores auriculares!

Valores totais de vibração (soma dos vectores das três direcções) determinadas conforme EN 60745.

Serrar madeira	
Valor de emissão de vibração a _h	6,41 m/s ²
Incerteza K=	1,5 m/s ²
Serrar chapa metálica	
Valor de emissão de vibração a _h	4,53 m/s ²
Incerteza K=	1,5 m/s ²

ATENÇÃO

O nível vibratório indicado nestas instruções foi medido em conformidade com um procedimento de medição normalizado na EN 60745 e pode ser utilizado para comparar entre si ferramentas eléctricas. O mesmo é também adequado para avaliar provisoriamente o esforço vibratório.

O nível vibratório indicado representa as principais aplicações da ferramenta eléctrica. Se, no entanto, a ferramenta eléctrica for utilizada para outras aplicações, com outras ferramentas adaptadas ou uma manutenção insuficiente, o nível vibratório poderá divergir. Isto pode aumentar consideravelmente o esforço vibratório ao longo de todo o período do trabalho.

Para uma avaliação exacta do esforço vibratório devem também ser considerados os tempos durante os quais o aparelho está desligado ou está a funcionar, mas não está efectivamente a ser utilizado. Isto pode reduzir consideravelmente o esforço vibratório ao longo de todo o período do trabalho.

Defina medidas de segurança suplementares para proteger o operador do efeito das vibrações, como por exemplo: manutenção da ferramenta eléctrica e das ferramentas adaptadas, manter as mãos quentes, organização das sequências de trabalho.

⚠ ADVERTÊNCIA! Leia todas as instruções de segurança e todas as instruções. O desrespeito das advertências e instruções apresentadas abaixo pode causar choque eléctrico, incêndio e/ou graves lesões. **Guarde bem todas as advertências e instruções para futura referência.**

⚠ INSTRUÇÕES DE SEGURANÇA PARA SERRAS DE RECORTE

Sempre use a protecção dos ouvidos. A influência de ruídos pode causar surdez.

Segure o aparelho nas superfícies de punho isoladas se estiver a executar trabalhos, nos quais a ferramenta de corte pode tocar em linhas eléctricas escondidas. O contacto com um cabo com tensão também põe as partes metálicas do aparelho sob tensão e leva a choque eléctrico.

INSTRUÇÕES DE SEGURANÇA E TRABALHO SUPLEMENTARES

Utilizar equipamento de protecção. Durante os trabalhos com a máquina, usar sempre óculos de protecção. Vestuário de protecção, bem como máscara de pó, sapatos fechados e antiderrapante, capacete e protecção auditiva são recomendados.

O pó que resulta ao trabalhar pode ser nocivo para a saúde, por isso não devendo penetrar no corpo. Use uma máscara de protecção contra pó apropriada.

Não devem ser processados materiais que representem um perigo para a saúde (p. ex. asbesto).

Desligue o aparelho imediatamente, quando a ferramenta de inserção bloquear! Não ligue o aparelho novamente

durante o bloqueio da ferramenta de inserção, pois isso pode levar a um recuo repentino com uma alta força reactiva. Verifique e elimine a causa do bloqueio da ferramenta de inserção, observando as instruções de segurança.

Causas possíveis podem ser:

- Emperramento na peça a trabalhar
- Material a processar rompido
- Sobrecarga da ferramenta eléctrica

Não toque na máquina em operação.

A ferramenta de inserção pode ficar quente durante a operação.

ATENÇÃO! Perigo de queimar-se

- na troca das ferramentas
- ao depositar o aparelho

Não remover aparas ou lascas enquanto a máquina trabalha.

Ao trabalhar em paredes, tectos e soalhos prestar atenção a que não sejam atingidos cabos eléctricos e canalizações de gás e água.

Fixe a peça a trabalhar com um dispositivo de fixação.

Peças a trabalhar não fixadas podem levar a feridas graves e danos sérios.

Não utilizar lâminas de corte fissuradas ou deformadas.

Cortes envaziados só são possíveis em materiais não muito consistentes (madeira, aglomerados ligeiros para paredes). Em materiais mais duros (metais) é necessário efectuar uma furação na qual caiba a lâmina de corte.

Antes de efectuar qualquer intervenção na máquina retirar o bloco acumulador.

Não queimar acumuladores gastos nem deitá-los no lixo doméstico. A Milwaukee possui uma eliminação de acumuladores gastos que respeita o meio ambiente.

Não guardar acumuladores junto com objectos metálicos (perigo de curto-circuito).

Não abrir acumuladores e carregadores. Armazená-los em recintos secos. Protegê-los contra humidade.

Use apenas carregadores do Sistema M18 para recarregar os acumuladores do Sistema M18. Não utilize acumuladores de outros sistemas.

Carregadores só devem ser utilizados em recintos secos.

Em caso de cargas ou temperaturas extremas, um acumulador de substituição danificado poderá verter líquido de bateria. Se entrar em contacto com este líquido, deverá lavar-se imediatamente com água e sabão. Em caso de contacto com os olhos, enxágue-os bem e de imediato durante pelo menos 10 minutos e consulte um médico o mais depressa possível.

UTILIZAÇÃO AUTORIZADA

A serra tico-tico corta madeira, plástico e metal. Efectua cortes direitos, oblíquos, curvas e envaziados.

Não use este produto de outra maneira sem ser a normal para o qual foi concebido.

DECLARAÇÃO DE CONFORMIDADE CE

Declaramos sob responsabilidade exclusiva, que o produto descrito sob "Dados técnicos" corresponde com todas as disposições relevantes da diretiva 2011/65/EU (RoHs), 2014/30/UE, 2006/42/CE e dos seguintes documentos normativos harmonizados.

EN 60745-1:2009 + A11:2010

EN 60745-2-11:2010

EN 55014-1:2006 + A1:2009 + A2:2011

EN 61000-4-2:2009

EN 55014-2:1997 + A1:2001 + A2:2008

EN 50581:2012

Winnenden, 2016-05-24


Alexander Krug
Managing Director

Autorizado a reunir a documentação técnica.

Techtronic Industries GmbH
Max-Eyth-Straße 10
71364 Winnenden
Germany

ACUMULADOR

Acumuladores não utilizados durante algum tempo devem ser recarregados antes da sua utilização.

Temperaturas acima de 50°C reduzem a capacidade do bloco acumulador. Evitar exposição prolongada ao sol ou a caloríferos.

Manter limpos os contactos eléctricos no carregador e no bloco acumulador.

Para uma vida útil óptima das baterias, terá que carregá-las plenamente após a sua utilização.

Para assegurar uma vida útil longa, o pacote de bateria deve ser removido da carregadora depois do carregamento.

Se o pacote de bateria for armazenado por mais de 30 dias: Armazene o pacote de bateria com aprox. 27°C em um lugar seco.

Armazene o pacote de bateria com aprox. 30%-50% da carga completa.

Carregue o pacote de bateria novamente de 6 em 6 meses.

MANUTENÇÃO

Manter desobstruídos os rasgos de ventilação na carcaça da máquina.

Utilizar unicamente acessórios e peças sobressalentes da Milwaukee. Sempre que a substituição de um componente não tenha sido descrita nas instruções, será de toda a conveniência mandar executar esse trabalho a um Serviço de Assistência Milwaukee (veja o folheto Garantia/Endereços de Serviços de Assistência).

A pedido e mediante indicação da referência que consta da chapa de características da máquina, pode requerer-se um desenho explosivo da ferramenta eléctrica a: Techtronic Industries GmbH, Max-Eyth-Straße 10, 71364 Winnenden, Germany.

SYMBOLE**ATENÇÃO! PERIGO!**

Antes de efectuar qualquer intervenção na máquina retirar o bloco acumulador.



Leia atentamente o manual de instruções antes de colocar a máquina em funcionamento.



Use luvas de protecção!



Use protectores auriculares!



Acessório - Não incluído no equipamento normal, disponível como acessório.



Aparelhos eléctricos não devem ser jogados no lixo doméstico.

Aparelhos eléctricos e electrónicos devem ser colectados separadamente e entregues a uma empresa de reciclagem para a eliminação correcta. Solicite informações sobre empresas de reciclagem e postos de colecta de lixo das autoridades locais ou do seu vendedor autorizado.



Marca CE



Marca de conformidade nacional da Ucrânia



EurAsian Conformity Mark.

TECHNISCHE GEGEVENS ACCU-DECOUPEERZAAGMACHINE M18 BJS

Productienummer 4568 60 01... ..000001-999999
Spanning wisselakku 18 V
Onbelast toerental 0-2800 min-1 (+/- 10%)
Slaglengte 26 mm
Verstekzagen tot 45°
Max. schroefdiepte in:
Hout 55 mm
Aluminium 10 mm
Gewicht volgens de EPTA-procedure 01/2003 (4,0 Ah) 3,3 kg

Geluids-/trillingsinformatie
Meetwaarden vastgesteld volgens EN 60 745.
Het kenmerkende A-gewogen geluidsniveau van de machine bedraagt:
Geluidsdrukkniveau (Onzekerheid K=3dB(A)) 85 dB (A)
Geluidsvermogeniveau (Onzekerheid K=3dB(A)) 96 dB (A)
Draag oorbeschermers!

Totale trillingswaarden (vectorsom van drie richtingen) bepaald volgens EN 60745.
Zagen van hout
Trillingsemisiewaarde ah 6,41 m/s²
Onzekerheid K= 1,5 m/s²
Zagen van metaalplaat
Trillingsemisiewaarde ah 4,53 m/s²
Onzekerheid K= 1,5 m/s²

WAARSCHUWING
De in deze aanwijzingen vermelde trillingsdruk is gemeten volgens een in EN 60745 genormeerde meetmethode en kan worden gebruikt voor de onderlinge vergelijking van apparaten. Hij is ook geschikt voor een voorlopige inschatting van de trillingsbelasting.
De aangegeven trillingsdruk geldt voor de meest gebruikelijke toepassingen van het elektrische apparaat. Wanneer het elektrische gereedschap echter voor andere doeleinden, met andere dan de voorgeschreven hulpstukken gebruikt of niet naar behoren onderhouden wordt, kan de trillingsdruk afwijken. Dit kan de waarde van de trillingsdruk over de hele werkperiode aanzienlijk verhogen.
Voor een nauwkeurige inschatting van de trillingsdruk moeten ook de tijden in aanmerking worden genomen dat het apparaat uitgeschakeld is of weliswaar loopt, maar niet werkelijk in gebruik is. Dit kan de waarde van de trillingsdruk over de hele werkperiode aanzienlijk verminderen.
Bepaal extra veiligheidsmaatregelen ter bescherming van de bediener tegen de inwerking van trillingen, bijvoorbeeld: onderhoud van elektrische gereedschappen en apparaten, warmhouden van de handen, organisatie van de werkprocessen.

WAARSCHUWING! Lees alle veiligheidsinstructies en aanwijzingen. Als de waarschuwingen en voorschriften niet worden opgevolgd, kan dit een elektrische schok, brand of ernstig letsel tot gevolg hebben.
Bewaar alle waarschuwingen en voorschriften voor toekomstig gebruik.

VEILIGHEID INSTRUCTIES VOOR DECOUPEERZAGEN

Draag oorbeschermers. Blootstelling aan geluid kan het gehoor beschadigen.
Houd het apparaat alléén aan de geïsoleerde grijpvlakken vast, wanneer u werkzaamheden uitvoert waarbij het snijgereedschap verborgen stroomleidingen zou kunnen raken. Het contact met een onder spanning staande leiding zet ook de metalen machinedelen onder spanning en leidt tot een elektrische schok.

VERDERE VEILIGHEIDS- EN WERKINSTRUCTIES

Draag veiligheidsuitrusting. Bij werkzaamheden met de machine dient u altijd een veiligheidsbril te dragen.
Veiligheidskleding zoals stofmasker, veiligheidshandschoenen, stevig en slipvast schoeisel, helm en gehoorbescherming worden aanbevolen.
Het gedurende het werken vrijkomende stof is doorgaans schadelijk voor de gezondheid en mag niet met het lichaam in aanraking komen. Draag derhalve een geschikt stofbeschermsmasker.
Het is niet toegestaan, materialen te bewerken waarvan een gezondheidsgevaar uitgaat (bijv. asbest).

Schakel het apparaat onmiddellijk uit als het gereedschap blokkeert! Schakel het apparaat niet in zolang het gereedschap geblokkeerd is; dit zou een terugslag met een hoog reactiemoment kunnen veroorzaken.
Achterhaal en verhelp de oorzaak voor de blokkering van het gereedschap met inachtneming van de veiligheidsinstructies.

Mogelijke oorzaken voor de blokkering:
• kantelen in het te bewerken werkstuk
• doorbreken van het te bewerken materiaal
• overbelasting van het elektrische gereedschap
Grijp niet in de lopende machine.
Het gereedschap kan heet worden tijdens het gebruik.
WAARSCHUWING! Gevaar voor verbranding
• bij het vervangen van het gereedschap
• bij het neerleggen van het apparaat
Spanen of splinters mogen bij draaiende machine niet worden verwijderd.

Bij het werken in wanden, plafonds of vloeren oppassen voor elektriciteitsdraden, gas- of waterleidingen.
Borg uw werkstuk met behulp van een spaninrichting. Niet geborgde werkstukken kunnen ernstig letsel en grote schade veroorzaken.
Gescheurde zaagbladen of welke van vorm veranderd zijn, mogen niet gebruikt worden.
Insteekzagen is alleen in zachte materialen (hout, lichte bouwstoffen voor wanden) mogelijk. Bij hardere materialen (metalen) moet een boring overeenkomstig de grootte van het zaagblad aangebracht worden.
Voor alle werkzaamheden aan de machine de akku verwijderen.

Verbruikte akku's niet in het vuur of bij het huisvuil werpen. Milwaukee biedt namelijk een milieuvriendelijke recyclingmethode voor uw oude akku's.
Wisselakku's niet bij metalen voorwerpen bewaren (kortsluitingsgevaar !) .
In de wisselakku-opnameschacht van het laadapparaat mogen géén metaaldeeltjes komen (kortsluitingsgevaar !) .
Wisselakku's van het Akku-Systeem M18 alléén met laadapparaten van het Akku-Systeem M18 laden. Geen akku's van andere systemen laden.

Wisselakku's en laadapparaten niet openen en alleen in droge ruimtes opslaan. Tegen vocht beschermen.
Onder extreme belasting of extreme temperaturen kan uit de accu accu-vloeistof lopen. Na contact met accu-vloeistof direct afwassen met water en zeep. Bij oogcontact direct minstens 10 minuten grondig spoelen en onmiddellijk een arts raadplegen.

VOORGESCHREVEN GEBRUIK VAN HET SYSTEEM

De decoupeerzaag zaagt hout, kunststof en metaal. Men kan ermee rechtzagen, verstekzagen, bochten zagen en insteekzagen.
Dit apparaat uitsluitend gebruiken voor normaal gebruik, zoals aangegeven.

EC - VERKLARING VAN OVEREENSTEMMING

Wij verklaren in uitsluitende verantwoording dat het onder 'Technische gegevens' beschreven product overeenstemt met alle relevante voorschriften van de richtlijn 2011/65/EU (RoHS), 2014/30/EU, 2006/42/EG en de volgende geharmoniseerde normatieve documenten:
EN 60745-1:2009 + A1:2010
EN 60745-2-11:2010
EN 55014-1:2006 + A1:2009 + A2:2011
EN 61000-4-2:2009
EN 55014-2:1997 + A1:2001 + A2:2008
EN 50581:2012

Winnenden, 2016-05-24
Alexander Krug
Managing Director
Gemachtigd voor samenstelling van de technische documenten
Techtronic Industries GmbH
Max-Eyth-Straße 10
71364 Winnenden
Germany

AKKU

Langere tijd niet toegepaste wisselakku's vóór gebruik altijd naladen.
Een temperatuur boven de 50°C vermindert de capaciteit van de accu. Langdurige verwarming door zon of hitte vermijden.
De aansluitcontacten aan het laadapparaat en de akku schoonhouden.
Voor een optimale levensduur moeten de accu's na het gebruik volledig opgeladen worden.
Voor een zo lang mogelijke levensduur van de accu's dienen deze na het opladen uit het laadtoestel te worden verwijderd.
Bij een langere opslag van de accu dan 30 dagen: accu bij ca. 27 °C droog bewaren. accu bij ca. 30 % - 50 % van de laadtoestand bewaren. accu om de 6 maanden opnieuw opladen.

ONDERHOUD

Altijd de luchtspleten van de machine schoonhouden.

Aleen Milwaukee toebehoren en onderdelen gebruiken. Onderdelen welke niet vermeld worden, kunnen het beste door de Milwaukee servicedienst verwisseld worden (zie Serviceadressen).
Onder vermelding van het nummer op het machineplaatje is desgewenst een doorsnedetekening van de machine verkrijgbaar bij: Techtronic Industries GmbH, Max-Eyth-Straße 10, 71364 Winnenden, Germany.

SYMBOLLEN

Table with 2 columns: Symbol and Description. Symbols include: Warning triangle, Person with machine, Person reading manual, Hand with glove, Head with ear protection, Forklift, Prohibited symbol, CE mark, Downward arrow, and EAC mark.

TEKNISKE DATA	AKKU STIKSAV	M18 BJS
Produktionsnummer	4568 60 01...	...000001-999999
Udskiftningsbatteriets spænding	18 V	
Slagantal, ubelastet	0-2800 min ⁻¹ (+/- 10%)	
Løftehøjde	26 mm	
Skråsnit indtil	45°	
Skæredybde max. i:		
Træ	55 mm	
Aluminium	10 mm	
Vægt svarer til EPTA-procedure 01/2003 (4,0 Ah)	3,3 kg	

Støj/Vibrationsinformation

Måleværdier beregnes iht. EN 60 745.

Værktøjets A-vurderede støjniiveau er typisk:

Lydtrykniveau (Usikkerhed K=3dB(A)) 85 dB (A)

Lydeffekt niveau (Usikkerhed K=3dB(A)) 96 dB (A)

Brug høreværn!

Samlede vibrationsværdier (værdisum for tre retninger)

beregnet iht. EN 60745.

Savning af træ

Vibrationseksponering a_h 6,41 m/s²

Usikkerhed K= 1,5 m/s²

Savning af metalblik

Vibrationseksponering a_h 4,53 m/s²

Usikkerhed K= 1,5 m/s²

ADVARSEL

Svingningsniveauet, som er angivet i disse anvisninger, er målt i henhold til standardiseret måleprocedure ifølge EN 60745 og kan anvendes til indbyrdes sammenligning mellem el-værktøjer. Svingningsniveauet er ligeledes egnet som foreløbigt skøn over svingningsbelastningen.

Det angivne svingningsniveau er baseret på el-værktøjets primære anvendelsesformål. Hvis el-værktøjet benyttes til andre formål, med andet indsatsværktøj eller ikke vedligeholdes tilstrækkeligt, kan svingningsniveauet afvige. Dette kan øge svingningsbelastningen over den samlede arbejdsperiode betydeligt.

For en nøjagtig vurdering af svingningsbelastningen skal der også tages højde for de tidsperioder, hvor apparatet er slukket, eller hvor apparatet kører, men uden at være i anvendelse. Dette kan reducere svingningsbelastningen over den samlede arbejdsperiode betydeligt.

Supplerende sikkerhedsforanstaltninger til beskyttelse af brugeren mod påvirkninger fra svingninger skal iværksættes, f.eks.: Vedligeholdelse af el-værktøj og indsatsværktøj, varmholdelse af hænder, organisering af arbejdsprocesser.

ADVARSEL! Læs alle sikkerhedsinformationer og instruktioner. I tilfælde af manglende overholdelse af advarselshenvisningerne og instrukserne er der risiko for elektrisk stød, brand og/eller alvorlige kvæstelser. **Opbevar alle advarselshenvisninger og instrukser til senere brug.**

SIKKERHEDSINSTRUKTIONER FOR STIKSAVE

Bær høreværn. Støjpåvirkning kan bevirke tab af hørelse.

Hold maskinen fast i de isolerede grebflader, når du udfører arbejde, hvor der er risiko for, at skæreværktøjet kan ramme skjulte strømledninger. Ved kontakt med en strømførende ledning står metaldelene på maskinen også under spænding og giver et elektrisk stød.

YDERLIGERE SIKKERHEDS- OG ARBEJDSINFORMATIONER

Brug beskyttelsesudstyr. Bær altid sikkerhedsbriller, når du arbejder med maskinen. Vi anbefaler desuden brug af personlig beskyttelsesudrustning, såsom støvmaske, sikkerhedshandsker, fast og skridsikkert skotøj, hjelm og høreværn.

Støv, som opstår under arbejdet, er ofte sundhedsfarligt og bør ikke trænge ind i kroppen. Benyt egnet åndedrætsværn.

Der må ikke bearbejdes nogen materialer, der kan udgøre en sundhedsrisiko (f.eks. asbest).

Sluk straks for maskinen, hvis indsatsværktøjet er blokeret! Tænd ikke for maskinen igen, så længe indsatsværktøjet er blokeret; dette kan føre til et tilbageslag med højt reaktionsmoment. Find frem til og afhjælp årsagen til

indsatsværktøjets blokering under hensyntagen til sikkerhedsinstruktionerne.

Mulige årsager hertil kan være:

- at det sidder i klemme i emnet der bearbejdes
- at det har brækket materialet der bearbejdes
- at el-værktøjet er overbelastet

Grib ikke ind i maskinen, når den kører.

Indsatsværktøjet kan blive varmt under brugen.

ADVARSEL! Fare for forbrændinger

- ved værktøjsskift
- når man lægger maskinen fra sig

Spåner eller splinter må ikke fjernes, medens maskinen kører.

Ved arbejdsboring i væg, loft eller gulv skal man passe på elektriske kabler, gas- og vandledninger.

Sørg for at sikre dit emne med en spændeanordning. Ikke sikrede emner kan forårsage alvorlige kvæstelser og beskadigelser.

Ridsede savklinger eller sådanne, som har ændret form, må ikke bruges.

Dyksamling er kun muligt i blødere materialer (træ, lette

bygningmaterialer til vægge, ved hårdere materialer (metaller) skal der anbringes et hul, hvis størrelse svarer til savklingen.

Ved arbejde inden i maskinen, bør batteriet tages ud.

Opbrugte udskiftningsbatterier må ikke brændes eller kasseres sammen med alm. husholdningsaffald. Milwaukee har en miljørigtig bortskaffelse af gamle udskiftningsbatterier, henvend Dem til Deres forhandler.

Opbevar ikke udskiftningsbatterier sammen med metalgenstande af fare for kortslutning.

Metaldele o.lign må ikke komme i berøring med rummet beregnet for udskiftningsbatteriet (kortslutningsfare).

Brug kun M18 ladeapparater for opladning af System M18 batterier.

Udskiftningsbatterier og opladere må ikke åbnes og skal opbevares i tørre rum. Beskyt dem mod fugtighed.

I tilfælde af en ekstrem belastning eller ekstrem temperatur kan der flyde batterivæske ud af et beskadiget batteri. Hvis De kommer i berøring med batterivæsken, skal den vaskes godt og grundigt af med vand og sæbe. I tilfælde af øjenkontakt, skal man mindst skylle øjnene godt og grundigt igennem i 10 minutter og omgående opsøge en læge.

TILTÆNKT FORMÅL

Stiksaven saver træ, kunststof og metal. Den skærer lige linier, geringsnit, kurver og indvendige udskæringer.

Produktet må ikke anvendes på anden måde og til andre formål end foreskrevet.

CE-KONFORMITETSERKLÆRING

Vi erklærer som eneansvarlig, at det under "Tekniske data" beskrevne produkt stemmer overens med alle relevante forskrifter, der følger af direktiv 2011/65/EU (RoHS), 2014/30/EU, 2006/42/EF samt af følgende harmoniserede normative dokumenter:

EN 60745-1:2009 + A11:2010

EN 60745-2-11:2010

EN 55014-1:2006 + A1:2009 + A2:2011

EN 61000-4-2:2009

EN 55014-2:1997 + A1:2001 + A2:2008

EN 50581:2012

Winnenden, 2016-05-24

Alexander Krug
Managing Director



Autoriseret til at udarbejde de tekniske dokumenter.

Techtronic Industries GmbH

Max-Eyth-Straße 10

71364 Winnenden

Germany

BATTERI

Udskiftningsbatterier, der ikke har været brugt i længere tid, efterlades inden brug.

Ved temperaturer over 50°C formindskes batteriets effekt. Undgå direkte sollys og stærk varme.

Tilslutningskontakterne på oplader og udskiftningsbatterier skal holdes rene.

For at opnå en optimal levetid skal de genopladelige batterier oplades fuldt efter brug.

For at sikre en så lang levetid som muligt skal batterierne tages ud af ladeaggregatet efter opladning.

Skal batterierne opbevares længere end 30 dage:

Temperatur ca. 27°C i tørre omgivelser.

Opbevares ved ca. 30%-50% af ladetilstanden.

Batteri skal genoplades hver 6. måned.

VEDLIGEHOLDELSE

Hold altid maskinens ventilationsåbninger rene.

Brug kun Milwaukee tilbehør og reservedele. Lad de komponenter, hvis udskiftning ikke er blevet beskrevet, udskifte hos Atlas Copco service (se kundeserviceadresser).

Ved opgivelse af type nr. der er angivet på maskinens effektskilt, kan de rekvirere en reservedelstegning, ved henvendelse til: Techtronic Industries GmbH, Max-Eyth-Straße 10, 71364 Winnenden, Germany.

SYMBOLER



VIGTIGT! ADVARSEL! FARE!



Ved arbejde inden i maskinen, bør batteriet tages ud.



Læs brugsanvisningen nøje før ibrugtagning.



Brug beskyttelseshandsker!



Brug høreværn!



Tilbehør - Ikke inkluderet i leveringsomfanget, køb købes som tilbehør.



Elektrisk udstyr må ikke bortskaffes sammen med det almindelige husholdningsaffald. Elektrisk og elektronisk udstyr skal indsamles særskilt og afleveres hos en genbrugsvirksomhed til en miljømæssig forsvarlig bortskaffelse. Spørg de lokale myndigheder eller din forhandler om genbrugsstationer og indsamlingssteder til sådant affald.



CE-mærke



Nationalt overensstemmelsesmærke Ukraine



EurAsian Conformity Mark.

TEKNISKE DATA	BATTERIDREVT STIKKSAG	M18 BJS
Produksjonsnummer.....	4568 60 01...	...000001-999999
Spenning vekselbatteri	18 V	
Tomgangsslagfall.....	0-2800 min ⁻¹ (+/- 10%)	
Slagghøyde	26 mm	
Skråsnitt inn til	45°	
Kuttedybde maks. in:		
Treverk.....	55 mm	
Aluminium	10 mm	
Vekt i henhold til EPTA-Prosedyren 01/2003 (4,0 Ah).....	3,3 kg	

Støy/Vibrasjonsinformasjon

Måleverdier fastslått i samsvar med EN 60 745.

Det typiske A-bedømte støynivået for maskinen er:

Lydtryknivå (Usikkerhet K=3dB(A))..... 85 dB (A)

Lydeffektivnivå (Usikkerhet K=3dB(A))..... 96 dB (A)

Bruk hørselsvern!

Totale svingningsverdier (vektorsum fra tre retninger)

beregnet jf. EN 60745.

Saging av tre

Svingningsemisjonsverdi a_h 6,41 m/s²

Usikkerhet K= 1,5 m/s²

Saging av metallplater

Svingningsemisjonsverdi a_h 4,53 m/s²

Usikkerhet K= 1,5 m/s²

ADVARSEL

Svingningsnivået som er angitt i denne instruksjonen er målt i overensstemmelse med målemetoden normert i direktiv EN 60745 og kan brukes til å sammenligne elektromaskiner med hverandre. Den egner seg også for en foreløpig vurdering av svingningsbelastningen.

Det angitte svingningsnivået representerer de hovedsaklige bruk av elektroverktøyet. Men anvendes elektroverktøyet for andre bruk med avvikende utskiftbare verktøy eller vedlikeholdet er utilstrekkelig, kan svingningsnivået være avvikende.

Dette kan forhøye svingningsbelastning betydelig over hele arbeidsperioden. For en nøyaktig vurdering av svingningsbelastningen må også det tas hensyn til tiden apparatet er avslått eller står på, men ikke er i bruk. Dette kan redusere svingningsbelastningen betydelig over hele arbeidsperioden.

Innfør også ekstra sikkerhetstiltak for å beskytte bruker mot utvirkingen av svingningene. Disse kan f.eks. være: vedlikehold av elektroverktøyet og det utskiftbare verktøyet, holde hendene varme, organisasjon av arbeidsforløpet.

⚠ OBS! Les alle sikkerhetsinstruksjoner og bruksanvisninger. Feil ved overholdelsen av advarslene og nedenstående anvisninger kan medføre elektriske støt, brann og/eller alvorlige skader.

Ta godt vare på alle advarslene og informasjonene.

⚠ SIKKERHETS INSTRUKSJONER FOR STIKKSAGER

Bruk hørselsvern. Støy kan føre til tap av hørselen

Hold apparatet i de isolerte holdeflatene, når det arbeides på steder hvor elektroverktøyet kan treffe skjulte strømledninger. Kontakt med en spenningsførende ledning setter også maskinens metalldele under spenning og fører til elektriske støt.

YTTERLIGE SIKKERHETS- OG ARBEIDSINSTRUKSJONER

Bruk vernebekledning. Ta alltid på vernebrille ved bruk av maskinen. Vernebekledning så vel som støvmaske, vernehansker, fast og sikringsknot, hjem og hørselsvern er anbefalt.

Støvet som oppstår ved arbeidet er ofte helsefarlig og skal ikke komme i kontakt med kroppen. Bruk derfor verneemaske som er egnet for støv.

Materialer som er helsefarlig skal ikke bearbeides (f.eks. asbest)

Slå av apparatet med en gang dersom det isatte verktøyet er blokkert! Ikke slå apparatet på igjen så lenge det isatte verktøyet er blokkert; her kan det oppstå et tilbakeslag med høyt reaksjonsmoment. Finn ut hvorfor det isatte verktøyet blokkerer og fjern årsaken til dette. Ta herved hensyn til sikkerhets instruksene.

Mulige årsaker til dette kan være:

- det har forkantet seg i arbeidsemnet som bearbeides
- det har brekt igjennom materialet som bearbeides
- elektroverktøyet er overbelastet

Ikke grip inn i maskinen når den står på og går.

Isatt verktøy kan i bruk bli veldig varmt.

ADVARSEL! Fare for forbrenning

- ved skifting av verktøy
- når apparatet legges ned

Spon eller fliser må ikke fjernes mens maskinen er i gang.

Pass på kabler, gass- og vannledninger når du arbeider i vegger, tak eller gulv.

Klem fast arbeidsemnet med en spenninnretning. Ikke sikrede arbeidsemner kan ha alvorlige helseskader og skader av material til følge.

Sagblad som har sprekker eller som har endret form må ikke brukes!

Dykksaging er kun mulig i bløtere materialer (treverk, lettere byggematerialer for vegger), for hardere materialer (metaller) må det brukes et sagblad med tilsvarende stor boring.

Ta ut vekselbatteriet før du arbeider på maskinen

Ikke kast brukte vekselbatterier i varmen eller husholdningsavfallet. Milwaukee tilbyr en miljøriktig deponering av gamle vekselbatterier; vennligst spør din fagforhandler.

Ikke oppbevar vekselbatterier sammen med metallgjenstander (kortslutningsfare).

Metalldele må ikke komme inn i innskyvningsjakten for vekselbatterier på ladere (kortslutningsfare).

Vekselbatterier av systemet M18 skal kun lades med lader av systemet M18. Ikke lad opp batterier fra andre systemer. Ikke åpne vekselbatterier og ladere, de skal oppbevares i tørre rom. Beskyttes mot fuktighet.

Under ekstreme belastninger og ekstreme temperaturer kan det lekke ut batterivæske fra utskiftbare batterier. Ved berøring med batterivæske, vask umiddelbart med såpe og vann. Ved kontakt med øynene må øynene skylles grundig i rennende vann i minst 10 minutter. Oppsøk lege umiddelbart.

FORMÅLSMESSIG BRUK

Stikksagen sager treverk, plast og metall. Den skjærer rett, gjæringer, kurver og innvendige utsnitt.

Dette apparatet må kun brukes til de oppgitte formål.

CE-SAMSVARERKLÆRING

Vi erklærer i alene ansvar at produktet beskrevet i "Teknisk data" overensstemmer med alle relevante forskrifter til Eu direktiv 2011/65/EU (RoHs), 2014/30/EU, 2006/42/EF og de følgende harmoniserte normative dokumentene.

EN 60745-1:2009 + A11:2010

EN 60745-2-11:2010

EN 55014-1:2006 + A1:2009 + A2:2011

EN 61000-4-2:2009

EN 55014-2:1997 + A1:2001 + A2:2008

EN 50581:2012

Winnenden, 2016-05-24



Alexander Krug
Managing Director



Autorisert til å utarbeide den tekniske dokumentasjonen

Techtronic Industries GmbH

Max-Eyth-Straße 10

71364 Winnenden

Germany

BATTERIER

Vekselbatterier som ikke er brukt over lengre tid skal etterlades før bruk.

En temperatur over 50°C reduserer vekselbatteriets kapasitet. Unngå oppvarming i sol eller ved varmeovner (fyring) i lengre tid.

Hold tilkoplingskontaktene på lader og vekselbatteri rene.

For optimal holdbarhet må batteriene lades opp helt etter bruk.

For å sikre en lengst mulig brukstid av batteriene skal disse etter oppladning taes ut av laderen.

Ved lagring av batteriene lengre enn 30 dager:

Lagre batteriet tørt ved ca. 27°C.

Lagre batteriet ved en oppladningstilstand på ca. 30%-50%.

Lade opp batteriet igjen etter 6 måneder.

VEDLIKEHOLD

Hold alltid luftenåpningene på maskinen rene.

Bruk kun Milwaukee tilbehør og reservedeler. Komponenter der utskifting ikke er beskrevet skal skiftes ut hos Milwaukee kundeservice (se brosjyre garanti/ kundeserviceadresser).

Ved behov kan du be om en eksplosjonstegning av apparatet hos din kundeservice eller direkte hos Techtronic Industries GmbH, Max-Eyth-Straße 10, 71364 Winnenden, Germany. Oppgi maskintype og det nummeret på typeskiltet.

SYMBOLER



OBS! ADVARSEL! FARE!



Ta ut vekselbatteriet før du arbeider på maskinen



Les nøye gjennom bruksanvisningen før maskinen tas i bruk.



Bruk vernehansker !



Bruk hørselsvern!



Tilbehør - inngår ikke i leveransen, anbefalt komplettering fra tilbehørsprogrammet.



Elektriske apparat skal ikke kastes sammen med vanlig husholdningsavfall. Elektriske og elektroniske apparat skal samles separat og leveres til miljøvennlig deponering til en avfall bedrift. Informer deg hos myndighetene på stedet eller hos din fagforhandler hvor det finnes recycling bedrifter oppsamlingssteder.



CE-tegn



Nasjonalt Konformitetstegn Ukraina



EurAsian Conformity Mark.

TEKNISKA DATA	BATTERIDRIVEN STICKSÅG	M18 BJS
Produktionsnummer	4568 60 01...	...000001-999999
Batterispänning	18 V	
Tomgångslagtal	0-2800 min ⁻¹ (+/- 10%)	
Slaglängd	26 mm	
Vinkelinställning max.	45°	
Sågdjup max i:		
Trä	55 mm	
Aluminium	10 mm	
Vikt enligt EPTA 01/2003 (4,0 Ah)	3,3 kg	

Buller-/vibrationsinformation

Mätvärdena har tagits fram baserade på EN 60 745.

A-värdet av maskinens ljudnivå utgör:

Ljudtrycksnivå (Onoggrannhet K=3dB(A))..... 85 dB (A)

Ljudeffektsnivå (Onoggrannhet K=3dB(A)) 96 dB (A)

Använd hörselskydd!

Totala vibrationsvärden (vektorsumma ur tre riktningar)

framtaget enligt EN 60745.

Sågning i trä

Vibrationsemissionsvärde a_h 6,41 m/s²

Onoggrannhet K= 1,5 m/s²

Sågning i metallplåt

Vibrationsemissionsvärde a_h 4,53 m/s²

Onoggrannhet K= 1,5 m/s²

VARNING

Den i de här anvisningarna angivna vibrationsnivån har uppmätts enligt ett i EN 60745 normerat mätförfarande och kan användas vid jämförelse mellan olika elverktyg. Nivån är även lämplig att använda vid en preliminär bedömning av vibrationsbelastningen.

Den angivna vibrationsnivån representerar den huvudsakliga användningen av det aktuella elverktyget. Men om elverktyget ska användas i andra användningsområden, tillsammans med avvikande insatsverktyg eller efter otillräckligt underhåll, kan vibrationsnivån skilja sig. Det kan öka vibrationsbelastningen betydligt under hela arbetstiden.

För att få en exaktare bedömning av vibrationsbelastningen ska även den tid beaktas, under vilken elverktyget är avstängt eller är påslaget, utan att det verkligen används. Det kan reducera vibrationsbelastningen betydligt under hela arbetstiden.

Lägg som skydd för användaren fast extra säkerhetsåtgärder mot vibrationernas verkan, som till exempel: underhåll av elverktyg och insatsverktyg, varmhållning av händer och organisering av arbetsförlopp.

⚠️ VARNING! Läs all säkerhetsinformation och alla anvisningar. Fel som uppstår till följd av att anvisningarna nedan inte följts kan orsaka elstöt, brand och/eller allvariga kroppsskador.

Förvara alla varningar och anvisningar för framtida bruk.

⚠️ SÄKERHETSANVISNINGAR FÖR STICKSÅGAR

Bär hörselskydd. Bullerbelastning kan orsaka hörselskador.

Håll fast apparaten med hjälp av de isolerade greppytorna när du utför arbeten där arbetsverktyget skulle kunna träffa på dolda elledningar. Om sågen kommer i kontakt med en spänningsförande ledning sätts sågens metalldelar under spänning som sedan kan leda till elektriskt slag.

ÖVRIGA SÄKERHETS- OCH ANVÄNDNINGSSINSTRUKTIONER

Använd skyddsutrustning. Använd alltid skyddsglasögon när du använder maskinen. Som skyddsutrustning rekommenderar vi t ex en dammskyddsmask, skyddshandskar, stabila och halksäkra skor, hjälm och hörselskydd.

Det damm som bildas under arbetets gång är ofta hälsofarligt och det ska inte komma in i kroppen. Bär därför lämplig skyddsmask.

Det är inte tillåtet att bearbeta material som kan vara hälsovärdigt (t.ex. asbest).

Stäng av maskinen omedelbart om ett verktyg som används sitter fast! Sätt sedan inte på maskinen igen så länge som

verktyget som används fortfarande sitter fast; risk för okontrollerade slag med högt reaktionsmoment. Ta reda på orsaken varför verktyget fastnade och åtgärda orsaken med hänsyn till säkerhetsanvisningarna.

Möjliga orsaker kan vara:

- Verktyget sitter snett i arbetsstycket
- Verktyget går igenom materialet som bearbetas
- Elverktyget är överbelastat

Gå aldrig med händerna in i en maskin som är igång.

Verktyget som används kan bli mycket varmt under användningen.

VARNING! Risk för brännskador

- vid verktygsbyte
- när man lägger ifrån sig maskinen

Avlägsna aldrig spån eller flisor när maskinen är igång.

Vid arbetenborring i vägg, tak eller golv, var alltid observant på befintliga el-, gas- eller vattenledningar.

Säkra arbetsstycket med en fastspänningsanordning. Arbetsstycken som inte är ordentligt fastspända kan leda till allvarig kroppsskada eller annan skada.

Spruckna sågklingor eller sådana som förändrat form får ej användas!

Är endast möjlig i mjuka material (trä m.m.) vid hårdare material (metall) rekommenderas förborring.

Drag ur batteripaket innan arbete utföres på maskinen.

Kasta inte förbrukade batterier. Lämna dem till Milwaukee Tools för återvinning.

Förvara ej batteriet ihop med metallföremål, kortslutning kan uppstå.

Se upp så att inga metallföremål hamnar i laddarens batterischakt, kortslutning kan uppstå.
System M18 batterier laddas endast i System M18 laddare. Ladda inte batterier från andra system.

Batterier lagras torrt och skyddas för fukt.

Under extrem belastning eller extrem temperatur kan **batteriväska tränga ut ur skadade utbytesbatterier. Vid beröring med batteriväska tvätta genast av med vatten och tvål. Vid ögonkontakt spola genast i minst 10 minuter och kontakta genast läkare.**

ANVÄND MASKINEN ENLIGT ANVISNINGARNA

Sticksågen sägar i trä, plast och metall. Den skär rakt, gering- och figursågar.

Maskinen får endast användas för angiven tillämpning.

CE-FÖRSÄKRAN

Vi intygar och ansvarar för att den produkt som beskrivs under "Tekniska data" överensstämmer med alla relevanta bestämmelser i direktiv 2011/65/EU (RoHS), 2014/30/EU, 2006/42/EG och följande harmoniserade normerande dokument:

EN 60745-1:2009 + A11:2010

EN 60745-2-11:2010

EN 55014-1:2006 + A1:2009 + A2:2011

EN 61000-4-2:2009

EN 55014-2:1997 + A1:2001 + A2:2008

EN 50581:2012

Winnenden, 2016-05-24

Alexander Krug
Managing Director



Befullmäktigad att sammanställa teknisk dokumentation.

Techtronic Industries GmbH

Max-Eyth-Straße 10

71364 Winnenden

Germany

BATTERIER

Batteri som ej använts på länge måste laddas före nytt bruk.

En temperatur över 50°C reducerar batteriets effekt. Undvik längre uppvärmning tex i solen eller nära ett element.

Se till att anslutningskontaktarna i laddaren och på batteriet är rena.

För att batterierna ska få lång livslängd ska de laddas fulla efter användning.

För att få en så lång livslängd som möjligt bör laddningsbara batterier avlägsnas från laddaren när de är laddade.

Om laddningsbara batterier lagras längre än 30 dagar:

Lagra batteriet torrt och vid ca 27°C.

Lagra batteriet vid ca 30%-50% av laddningskapaciteten.

Ladda batterierna på nytt var 6:e månad.

SKÖTSEL

Se till att motorhöljets luftslitsar är rena.

Använd endast Milwaukee tillbehör och reservdelar.

Reservdelar vars utbyte ej beskrivs byts bäst av Milwaukee auktoriserad serviceverkstad (se broschyr Garanti/ Kundtjänstadresser).

Vid behov av sprängskiss, kan en sådan, genom att uppge maskinens art. nr. (som finns på typskylten) erhållas från: Techtronic Industries GmbH, Max-Eyth-Straße 10, 71364 Winnenden, Germany.

SYMBOLER



OBSERVERA! VARNING! FARA!



Drag ur batteripaket innan arbete utföres på maskinen.



Läs instruktionen noga innan du startar maskinen.



Bär skyddshandskar!



Använd hörselskydd!



Tillbehör - Ingår ej i leveransomfånget, erhålles som tillbehör.



Elektriska maskiner och elverktyg som kasseras får inte slängas tillsammans med de vanliga hushållssoporna.
Elektriska maskiner och verktyg samt elektronisk utrustning som kasseras ska samlas separat och lämnas till en avfallsstation för miljövänlig avfallshantering.
Kontakta den lokala myndigheten respektive kommunen eller fråga återförsäljare var det finns speciella avfallsstationer för elskrot.



CE-symbol



Nationell symbol för överensstämmelse Ukraine



EurAsian Conformity Mark.

TEKNISET ARVOT	AKKUPISTOSAHA	M18 BJS
Tuotantonumero	4568 60 01...	...000001-999999
Jännite vaihtoakku	18 V	
Kuormittamaton iskuluku	0-2800 min ⁻¹ (+/- 10%)	
Iskun pituus	26 mm	
Vinoleikkaukset asti	45°	
Leikkaussyvytydet:		
Puuhen	55 mm	
Alumiini	10 mm	
Paino EPTA-menettelyn 01/2003 mukaan (4,0 Ah)	3,3 kg	

Melunpäästö-/tärinätiedot

Mitta-arvot määritetty EN 60 745 mukaan.

Koneen tyypillinen A-luokitettu melutaso:

Melutaso (Epävarmuus K=3dB(A))..... 85 dB (A)

Äänenvoimakkuus (Epävarmuus K=3dB(A))..... 96 dB (A)

Käytä kuulosuojaimia!

Värähtelyn yhteisarvot (kolmen suunnan vektorisumma) mitattuna EN 60745 mukaan.

Puun sahaaminen

Värähtelyemissioarvo a_h 6,41 m/s²

Epävarmuus K= 1,5 m/s²

Metallipellin sahaaminen

Värähtelyemissioarvo a_h 4,53 m/s²

Epävarmuus K= 1,5 m/s²

VAROITUS

Näissä ohjeissa mainittu värähtelytaso on mitattu EN 60745 -standardin mukaisella mittausmenetelmällä ja sitä voidaan käyttää sähkötyökalujen vertaamiseen. Sitä voidaan käyttää myös värähtelyrasituksen väliaikaiseen arviointiin.

Mainittu värähtelytaso edustaa sähkötyökalun pääasiallista käyttöä. Jos sähkötyökalua kuitenkin käytetään muihin tehtäviin, poikkeavin työkaluin tai riittämättömästi huoltaen, värähtelytaso voi olla erilainen. Se voi korottaa värähtelyrasitusta koko työajan osalta.

Tarkan värähtelyrasituksen toteamiseen tulee ottaa huomioon aika, jona laite on kytketty pois tai on kylläkin päällä, mutta ei käytössä. Se voi pienentää värähtelyrasitusta koko työajan osalta.

Määrittele lisäturvatoimenpiteitä käyttäjän suojaamiseksi värinöiden vaikutukselta, kuten esimerkiksi: sähkötyökalujen ja käyttötyökalujen huolto, käsien lämpiminä pitäminen, työvaiheiden organisaatio.

A VAROITUS! Lue kaikki turvallisuusmääräykset ja ohjeet.

Turvallisuusohjeiden noudattamisen laiminlyönti saattaa johtaa sähköiskuun, tulipaloon ja/tai vakavaan loukkaantumiseen.

Säilytä kaikki turvallisuus- ja muut ohjeet tulevaisuutta varten.

A PISTOSAHOJEN TURVALLISUUSMÄÄRÄYKSET

Käytä korvasuojia. Altistuminen melulle voi vahingoittaa kuuloa.

Pitele laitetta vain eristetyistä tarttumapinnoista, kun suoritat sellaisia töitä, joissa leikkaustyökalu saattaa osua piilossa oleviin sähköjohtoihin. Kosketus jännitteiseen johtoon saattaa myös koneen metalliosat jännitteisiksi ja johtaa sähköiskuun.

TÄYDENTÄVIÄ TURVALLISUUSMÄÄRÄYKSIÄ JA TYÖSKENTELYOHJEITA

Käytä suojavarusteita. Käytä aina suojalaseja käyttäessäsi konetta. Suosittelemme suojavarusteiden käyttöä, näihin kuuluvat pölysuojanaamari, työkasineet, tukevat, luistamattomat jalkineet, kypärä ja kuulosuojukset.

Koneen käytöstä aiheutuva pöly ja jäte voi olla haitallista terveydelle eikä sen vuoksi tulisi päästä kosketukseen ihon kanssa. Koneella työskennellessä on käytettävä sopivaa suojainta.

Terveydellisiä vaaroja aiheuttavien materiaalien (esim. asbestin) työstäminen on kielletty.

Jos käytetty työkalu juuttuu kiinni, sammuta laite heti! Älä kytke laitetta uudelleen päälle työkalun ollessa vielä kiinni juuttuneena, koska tästä saattaa aiheutua voimakas

takaisku. Selvitä työkalun juuttumisen syy ja poista syy turvallisuusmääräyksiä noudattaen.

Mahdollisia syitä voivat olla:

- työkalun vinoutuminen työstökappaleessa
- työstetyn materiaalin puhkautuminen
- sähkötyökalun ylikuormitus

Älä tartu käynnissä olevan koneen työosiin.

Käytetty työkalu saattaa kuumeta käytön aikana.

VAROITUS! Palovamman vaara

- työkalua vaihdettaessa
- laitetta pois laskettaessa

Lastuja tai puruja ei saa poistaa koneen käydessä.

Varo seinään, kattoon tai lattiaan porattaessa osumasta sähköjohtoon, kaasu- ja vesijohtoihin.

Varmista työstökappaleesi kiinnityslaitteella paikalleen. Varmistamattomat työstökappaleet saattavat aiheuttaa vakavia vammoja ja vaurioita.

Rikkinäisiä sahanterä tai sellaisia, jotka ovat muuttaneet muotoaan ei saa käyttää!

Upotussahaus on mahdollista vain pehmeimpiin materiaaleihin (puu, kevytrakenteiset seinät), koviin materiaaleihin (metallit) on ensin tehtävä sahanterän suuruinen porausaukko.

Ota akku pois ennen kaikkia koneeseen tehtäviä toimenpiteitä.

Käytettyjä vaihtoakkuja ei saa polttaa eikä poistaa normaalin jätehuollon kautta. Milwaukeeella on tarjolla vanhoja vaihtoakkuja varten ympäristöystävällinen jätehuoltopalvelu.

Vaihtoakkuja ei saa säilyttää yhdessä metalliesineiden kanssa (oikosulkuvaara).

On varottava, ettei latauslaitteiden vaihtoakkulatauskoloon joudu metalliesineitä (oikosulkuvaara).

Käytä ainoastaan System M18 latauslaitetta System M18 akkujen lataukseen. Älä käytä muiden järjestelmien akkuja.

Vaihtoakkuja ja latauslaitteita ei saa avata. Säilytys vain kuivissa tiloissa. Suojattava kosteudelta.

Vaurioituneesta akusta saattaa erityisen kovassa käytössä tai poikkeavassa lämpötilassa vuotaa akkuhappoa. Ihonkohta, joka on joutunut kosketukseen akkuhapon kanssa on viipymättä pestävä vedellä ja saippualla. Silmä, johon on joutunut akkuhappoa, on huuhdeltava vedellä vähintään 10 minuutin ajan, jonka jälkeen on viipymättä hakeuduttava lääkärin apuun.

TARKOITUKSENMUKAINEN KÄYTTÖ

Pistosaha pystyy puuhun, muoviin ja metalliin. Sillä voidaan sahata suoria, viistoja ja käyriä leikkauksia sekä reikiä.

Älä käytä tuotetta ohjeiden vastaisesti.

TODISTUS CE-STANDARDINMUKAISUUDESTA

Vakuutamme yksinvastuullisesti, että kohdassa "Tekniset tiedot" kuvattu tuote vastaa kaikkia sitä koskevia direktiivien 2011/65/EU (RoHS), 2014/30/EU, 2006/42/EY määräyksiä sekä seuraavia harmonisoituja standardisoivia asiakirjoja:

EN 60745-1:2009 + A11:2010

EN 60745-2-11:2010

EN 55014-1:2006 + A1:2009 + A2:2011

EN 61000-4-2:2009

EN 55014-2:1997 + A1:2001 + A2:2008

EN 50581:2012

Winnenden, 2016-05-24



Alexander Krug
Managing Director



Vaiutettu kokoamaan tekniset dokumentit.

Techtronic Industries GmbH

Max-Eyth-Straße 10

71364 Winnenden

Germany

AKKU

Pitkään käyttämättä olleet vaihtoakut on ladattava ennen käyttöä.

Yli 50°C lämpötilassa akun suorituskyky heikkenee. Välttämättä akkujen säilyttämistä auringossa tai kuumissa tiloissa.

Pidä aina latauslaitteen ja akun kosketinpinnat puhtaina. Optimaalisen käyttöajan saavuttamiseksi akut on ladattava täyteen käytön jälkeen.

Mahdollisimman pitkän elinajan takaamiseksi akut tulee poistaa laturista lataamisen jälkeen.

Akkuja yli 30 päivää säilytettävässä:

Säilytä akku yli 27 °C:ssa ja kuivassa.

Säilytä akku sen latauksen ollessa 30 % - 50 %.

Lataa akku 6 kuukauden välein uudelleen.

HUOLTO

Pidä moottorin ilmanottoaukot puhtaina.

Käytä vain Milwaukee:n lisälaitteita ja varaosia. Käytä ammattitaitoisten Milwaukee-huoltosopimusliikkeiden palveluja muiden kuin käyttöohjeessa kuvattujen osien vaihdossa. (esite takuu/huoltoliikeluettelo).

Tarpeen vaatiessa voit pyytää lähettämään laitteen kokoonpanopiirustuksen ilmoittamalla arvokilven numeron seuraavasta osoitteesta: Techtronic Industries GmbH, Max-Eyth-Straße 10, 71364 Winnenden, Germany.

SYMBOLIT



HUOMIO! VAROITUS! VAARA!



Ota akku pois ennen kaikkia koneeseen tehtäviä toimenpiteitä.



Lue käyttöohjeet huolellisesti, ennen koneen käynnistämistä.



Käytä suojakäsineitä!



Käytä kuulosuojaimia!



Lisälaitte - Ei sisälly vakiovarustukseen, saatavana lisätarvikkeena.



Sähkölaitteita ei saa hävittää yhdessä kotitalousjätteiden kanssa. Sähkö- ja elektroniset laitteet tulee kerätä erikseen ja toimittaa kierrätysliikkeeseen ympäristöystävällistä hävittämistä varten. Pyydä paikallisilta viranomaisilta tai alan kauppiailta tarkemmat tiedot kierrätyspisteistä ja keräyspaikoista.



CE-merkki



Kansallinen standardinmukaisuusmerkki Ukraina



Eurasian Conformity Mark.

ΤΕΧΝΙΚΑ ΣΤΟΙΧΕΙΑ	ΣΕΓΑ ΜΠΑΤΑΡΙΑΣ	M18 BJS
Αριθμός παραγωγής.....		4568 60 01... ...000001-999999
Τάση ανταλλακτικής μπαταρίας		18 V
Αριθμός παλινδρομήσεων χωρίς φορτίο		0-2800 min ⁻¹ (+/- 10%)
Ύψος διαδρομής.....		26 mm
Λοξά κοψίματα μέχρι.....		45°
Μέγιστο βάθος κοπής σε:		
Ξύλο.....		55 mm
Αλουμίνιο		10 mm
Βάρος σύμφωνα με τη διαδικασία ΕΡΤΑ 01/2003 (4,0 Ah).....		3,3 kg

Πληροφορίες θορύβου/δονήσεων

Τιμές μέτρησης εξακριβωμένες κατά EN 60 745.

Η σύφωνα με την καμπύλη A εκτιμηθείσα στάθμη θορύβου του μηχανήματος αναφέρεται σε:

Στάθμη ηχητικής πίεσης (Ανασφάλεια K=3dB(A)) 85 dB (A)

Στάθμη ηχητικής ισχύος (Ανασφάλεια K=3dB(A)) 96 dB (A)

Φοράτε προστασία ακοής (ωτασπίδες)!

Υλικές τιμές κραδασμών (άθροισμα διανυσμάτων τριών διευθύνσεων) εξακριβώθηκαν σύμφωνα με τα πρότυπα EN 60745.

Πριόνισμα ξύλων

Τιμή εκπομπής δονήσεων a_h 6,41 m/s²

Ανασφάλεια K= 1,5 m/s²

Πριόνισμα μεταλλικών ελασμάτων

Τιμή εκπομπής δονήσεων a_h 4,53 m/s²

Ανασφάλεια K= 1,5 m/s²

ΠΡΟΕΙΔΟΠΟΙΗΣΗ

Το αναφερόμενο σ' αυτές τις οδηγίες επίπεδο δονήσεων έχει μετρηθεί με μια τυποποιημένη σύμφωνα με το EN 60745 μέθοδο μέτρησης και μπορεί να χρησιμοποιηθεί για τη σύγκριση των ηλεκτρικών εργαλείων μεταξύ τους. Αυτό είναι επίσης κατάλληλο για μια προσωρινή εκτίμηση της επιβάρυνση των δονήσεων.

Το αναφερόμενο επίπεδο δονήσεων αντιπροσωπεύει τις κύριες χρήσεις του ηλεκτρικού εργαλείου. Εάν όμως το ηλεκτρικό χρησιμοποιείται σε άλλες χρήσεις, με διαφορετικά εργαλεία εφαρμογής ή ανεπαρκή συντήρηση, μπορεί να υπάρξει απόκλιση του επιπέδου δονήσεων. Αυτό μπορεί να αυξήσει σημαντικά την επιβάρυνση των δονήσεων για τη συνολική διάρκεια της εργασίας.

Για μια ακριβή εκτίμηση της επιβάρυνσης των δονήσεων οφείλουν επίσης να λαμβάνονται υπόψη οι χρόνοι, στους οποίους η συσκευή είναι απενεργοποιημένη ή είναι μεν ενεργοποιημένη αλλά δεν χρησιμοποιείται πραγματικά. Αυτό μπορεί να μειώσει σημαντικά την επιβάρυνση των δονήσεων για τη συνολική διάρκεια της εργασίας.

Καθορίζετε πρόσθετα μέτρα ασφαλείας για την προστασία του χειριστή από την επίδραση των δονήσεων όπως για παράδειγμα: Συντήρηση του ηλεκτρικού εργαλείου και των εργαλείων εφαρμογής, διατηρείτε ζεστά τα χέρια, οργάνωση των διαδικασιών εργασίας.

⚠ ΠΡΟΣΟΧΗ! Διαβάστε όλες τις οδηγίες ασφαλείας και τις οδηγίες χρήσεως. Αμέλειες κατά την τήρηση των προειδοποιητικών υποδείξεων μπορεί να προκαλέσουν ηλεκτροπληξία, κίνδυνο πυρκαγιάς ή/και σοβαρούς τραυματισμούς.
Φυλάξτε όλες τις προειδοποιητικές υποδείξεις και οδηγίες για κάθε μελλοντική χρήση.

⚠ ΥΠΟΔΕΙΞΕΙΣ ΑΣΦΑΛΕΙΑΣ ΓΙΑ ΣΕΓΕΣ.

Φοράτε ωτασπίδες. Η επίδραση θορύβου μπορεί να προκαλέσει απώλεια ακοής.

Να πιάνετε τη συσκευή στις μονωμένες χειρολαβές όταν εκτελείτε εργασίες κατά τις οποίες τα κοπτικά εργαλεία θα μπορούσαν να πέσουν επάνω σε κρυμμένα καλώδια ρεύματος. Η επαφή του πριονόδακου με μια υπό τάση ευρισκόμενη ηλεκτρική γραμμή θέτει επίσης και τα μεταλλικά τμήματα του μηχανήματος υπό τάση κι έτσι μπορεί να οδηγήσει σε ηλεκτροπληξία.

ΠΕΡΑΙΤΕΡΩ ΟΔΗΓΙΕΣ ΑΣΦΑΛΕΙΑΣ ΚΑΙ ΧΡΗΣΕΩΣ

Χρησιμοποιείτε προστατευτικό εξοπλισμό. Κατά την εργασία με τη μηχανή φοράτε πάντα προστατευτικά γυαλιά. Συνιστούμε επίσης προστατευτική ενδυμασία όπως επίσης μάσκα προστασίας αναπνοής, προστατευτικά γάντια, σταθερά και ασφαλή στην ολίσθηση υποδήματα, κράνος και ωτασπίδες.

Η σκόνη που δημιουργείται κατά την εργασία είναι συχνά επιβλαβής για την υγεία και δεν επιτρέπεται να έλθει στο σώμα. Να φοράτε κατάλληλη μάσκα προστασίας από σκόνη.

Μην επεξεργάζεστε επικίνδυνα για την υγεία υλικά (π.χ. αμίαντος).

Σε περίπτωση μπλοκαρίσματος της αρίδας απενεργοποιείτε αμέσως τη συσκευή! Μην ενεργοποιείτε εκ νέου τη συσκευή όσο η αρίδα είναι μπλοκαρισμένη. Σ' αυτή τη περίπτωση θα μπορούσε να προκύψει υψηλή ροπή αντίδρασης. Βρείτε την αιτία του μπλοκαρίσματος της αρίδας και ξεμπλοκαρέτε την λαμβάνοντας υπόψη τις οδηγίες ασφαλείας.

Πιθανές αιτίες:

- Η αρίδα μάγκωσε με το προς καταργασία κομμάτι.
- Σπάζιμο του προς καταργασία υλικού.
- Υπερφόρτιση του ηλεκτρικού εργαλείου.

Μην απλώνετε τα χέρια σας στην επικίνδυνη περιοχή της μηχανής όταν είναι σε λειτουργία.

Η θερμοκρασία της αρίδας μπορεί να φτάσει σε υψηλά επίπεδα κατά τη λειτουργία.

ΠΡΟΕΙΔΟΠΟΙΗΣΗ! Κίνδυνος εγκαύματος

- κατά την αλλαγή εργαλείου (αρίδας)
- κατά την απόθεση της συσκευής

Τα γρέζια ή οι σκληρές δεν επιτρέπεται να απομακρύνονται όσο η μηχανή βρίσκεται σε λειτουργία.

Κατά τις εργασίες σε τοίχο, οροφή ή δάπεδο προσέχετε για τυχόν ηλεκτρικά καλώδια και για σωλήνες αερίου και νερού.

Ασφαλίστε το προς καταργασία κομμάτι στη μέγιστη ή με μια άλλη διάταξη στερέωσης. Μη ασφαλισμένα προς καταργασία κομμάτια μπορεί να προκαλέσουν σοβαρούς τραυματισμούς και ζημιές.

Οι ραγισμένες πριονόλαμες (πριονόδιακοι) ή αυτές που έχουν παραμορφωθεί δεν επιτρέπεται να χρησιμοποιηθούν!

Το πριόνισμα με βύθισμα είναι δυνατό μόνο σε μαλακά υλικά (ξύλο, ελαφρά δομικά υλικά για τοιχώματα), στα σκληρότερα υλικά (μέταλλα) πρέπει να ανοιχτεί μια τρύπα αντίστοιχη στο μέγεθος της πριονόλαμας.

Πριν από κάθε εργασία στη μηχανή αφαιρείτε την ανταλλακτική μπαταρία.

Μην πετάτε τις μεταχειρισμένες ανταλλακτικές μπαταρίες στη φωτιά ή στα οικιακά απορρίμματα. Η Milwaukee προσφέρει μια απόσυρση των παλιών ανταλλακτικών μπαταριών σύμφωνα με τους κανόνες προστασίας του περιβάλλοντος, ρωτήστε παρακαλώ σχετικά στο ειδικό κατάστημα πώλησης.

Μην αποθηκεύετε τις ανταλλακτικές μπαταρίες μαζί με μεταλλικά αντικείμενα (κίνδυνος βραχυκυκλώματος).

Στη θήκη υποδοχής των ανταλλακτικών μπαταριών του φορτιστή δεν επιτρέπεται να φθάνουν μεταλλικά αντικείμενα (κίνδυνος βραχυκυκλώματος).

Φορτίζετε τις ανταλλακτικές μπαταρίες του συστήματος M18 μόνο με φορτιστές του συστήματος M18. Μη φορτίζετε μπαταρίες από άλλα συστήματα.

Μην ανοίγετε τις ανταλλακτικές μπαταρίες και τους φορτιστές και χρησιμοποιείτε για αποθήκευση μόνο στεγνούς χώρους. Προστατεύετε τις ανταλλακτικές μπαταρίες και τους φορτιστές από την υγρασία.

Όταν υπάρχει υπερβολική καταπόνηση ή υψηλή θερμοκρασία μπορεί να τρέξει υγρό μπαταρίας από τις χαλασμένες επαναφορτιζόμενες μπαταρίες. Αν έρθετε σε επαφή με υγρό μπαταρίας να πλυθείτε αμέσως με νερό και σαπούνι. Σε περίπτωση επαφής με τα μάτια να πλυθείτε σχολαστικά για τουλάχιστον 10 λεπτά και να αναζητήσετε αμέσως ένα γιατρό.

ΧΡΗΣΗ ΣΥΜΦΩΝΑ ΜΕ ΤΟ ΣΚΟΠΟ ΠΡΟΟΡΙΣΜΟΥ

Η σέγα πριονίζει ξύλο, πλαστικό και μέταλλο. Κόβει ευθεία, λοξά, καμπύλες και εσωτερικά ανοίγματα.

Αυτή η συσκευή επιτρέπεται να χρησιμοποιηθεί μόνο σύμφωνα με τον αναφερόμενο σκοπό προορισμού.

ΔΗΛΩΣΗ ΠΙΣΤΟΤΗΤΑΣ ΕΚ

Δηλώνουμε υπεύθυνα ότι το προϊόν που περιγράφεται στο κεφάλαιο «Τεχνικά χαρακτηριστικά» είναι συμβατό με τις διατάξεις της Κοινοτικής Οδηγίας 2011/65/EU (RoHS), 2014/30/EU, 2006/42/EK και με τα ακόλουθα εναρμονισμένα κανονιστικά έγγραφα:

EN 60745-1:2009 + A11:2010

EN 60745-2-11:2010

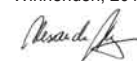
EN 55014-1:2006 + A1:2009 + A2:2011

EN 61000-4-2:2009

EN 55014-2:1997 + A1:2001 + A2:2008

EN 50581:2012

Winnenden, 2016-05-24



Alexander Krug
Managing Director



Εξουσιοδοτημένος να συντάξει τον τεχνικό φάκελο.

Technonic Industries GmbH

Max-Eyth-Straße 10

71364 Winnenden

Germany

ΜΠΑΤΑΡΙΕΣ

Επαναφορτίζετε τις ανταλλακτικές μπαταρίες που δεν έχουν χρησιμοποιηθεί για μεγαλύτερο χρονικό διάστημα πριν τη χρήση.

Μια θερμοκρασία πάνω από 50°C μειώνει την ισχύ της ανταλλακτικής μπαταρίας. Αποφεύγετε τη θέρμανση για μεγαλύτερο χρονικό διάστημα από τον ήλιο ή τις συσκευές θέρμανσης.

Διατηρείτε τις επαφές σύνδεσης στο φορτιστή και στην ανταλλακτική μπαταρία καθαρές.

Για μια άριστη διάρκεια ζωής πρέπει μετά τη χρήση οι μπαταρίες να φορτιστούν πλήρως.

Για μια κατά το δυνατόν μεγάλη διάρκεια ζωής οι μπαταρίες μετά τη φόρτιση οφείλουν να αφαιρεθούν από το φορτιστή.

Για την αποθήκευση της μπαταρίας για διάστημα μεγαλύτερο των 30 ημερών:

Αποθηκεύετε τη μπαταρία περ. στους 27°C σε στεγνό χώρο. Αποθηκεύετε τη μπαταρία περ. στο 30%-50% της κατάστασης φόρτισης.

Κάθε 6 μήνες φορτίζετε εκ νέου τη μπαταρία.











ΣΥΝΤΗΡΗΣΗ

Διατηρείτε πάντοτε τις σχισμές εξαερισμού της μηχανής καθαρές.

Χρησιμοποιείτε μόνο εξαρτήματα και ανταλλακτικά της Milwaukee. Αναθέστε την αλλαγή των εξαρτημάτων, των οποίων η αντικατάσταση δεν έχει περιγραφεί, σ' ένα κέντρο σέρβις της Milwaukee (προσέξτε το εγχειρίδιο Εγγύηση/Διευθύνσεις εξυπηρέτησης πελατών).

Όταν χρειάζεται, μπορείτε να ζητήσετε ένα σχέδιο συναρμολόγησης της συσκευής, δίνοντας τον τύπο της μηχανής και αριθμό στην πινακίδα ισχύος, από το κέντρο σέρβις ή απευθείας από τη φirma Technonic Industries GmbH, Max-Eyth-Straße 10, 71364 Winnenden, Germany.

ΣΥΜΒΟΛΑ

	ΠΡΟΣΟΧΗ! ΠΡΟΕΙΔΟΠΟΙΗΣΗ! ΚΙΝΔΥΝΟΣ!
	Πριν από κάθε εργασία στη μηχανή αφαιρείτε τη ανταλλακτική μπαταρία.
	Παρακαλώ διαβάστε σχολαστικά τις οδηγίες χρήσης πριν από την έναρξη λειτουργίας.
	Να φοράτε προστατευτικά γάντια!
	Φοράτε προστασία ακοής (ωτασπίδες)!
	Εξαρτήματα - Δεν περιλαμβάνονται στα υλικά παράδοσης, συνιστούμενη προσθήκη από το πρόγραμμα εξαρτημάτων.
	Ηλεκτρικά μηχανήματα δεν επιτρέπεται να απορρίπτονται μαζί με τα οικιακά απορρίμματα. Ηλεκτρικά και ηλεκτρονικά μηχανήματα συλλέγονται ξεχωριστά και παραδίδονται προς ανακύκλωση με τρόπο φιλικό προς το περιβάλλον σε επιχείρηση επεξεργασίας απορριμμάτων. Ενημερωθείτε από τις τοπικές υπηρεσίες ή από ειδικευμένους εμπόρους σχετικά με κέντρα ανακύκλωσης και συλλογής απορριμμάτων.
	Σήμα συμμόρφωσης CE
	Εθνικό σήμα πιστότητας Ουκρανία
	TR 066
	EurAsian Conformity Mark.

TEKNİK VERİLER AKÜ KIL TESTERESİ M18 BJS

Üretim numarası	4568 60 01...
.....	...000001-999999
Kartuş akü gerilimi	18 V
Boştaki strot sayısı.....	0-2800 min ⁻¹ (+/- 10%)
Strot yüksekliği.....	26 mm
Maksimum eğik kesim	45°
Maksimum kesme derinliği:	
Tahta.....	55 mm
Alüminyum	10 mm
Ağırlığı ise EPTA-üretici 01/2003'e göre.....	3,3 kg

Gürültü/Vibrasyon bilgileri

Ölçüm değerleri EN 60 745 e göre belirlenmektedir.

Aletin, frekansa bağımlı uluslararası ses basıncı seviyesi değerlendirme eğrisi A'ya göre tipik gürültü seviyesi:

Ses basıncı seviyesi (Tolerans K=3dB(A))	85 dB (A)
Akustik kapasite seviyesi (Tolerans K=3dB(A))	96 dB (A)

Koruyucu kulaklık kullanın!

Toplam titreşim değeri (üç yönün vektör toplamı) EN 60745'e göre belirlenmektedir:

Ağaç yontma	
titreşim emisyon değeri a _h	6,41 m/s ²
Tolerans K=	1,5 m/s ²

Metal saç yontma	
titreşim emisyon değeri a _h	4,53 m/s ²
Tolerans K=	1,5 m/s ²

UYARI

Bu talimatlarda belirtilen titreşim seviyesi, EN 60745 standardına uygun bir ölçme metodu ile ölçülmüştür ve elektrikli el aletleri birbiriyle karşılaştırmak için kullanılabilir. Ölçüm sonuçları ayrıca titreşim yükünün geçici değerlendirilmesi için de uygundur.

Belirtilen titreşim seviyesi, elektrikli el aletinin genel uygulamaları için geçerlidir. Ancak elektrikli el aleti başka uygulamalar için, farklı eklenti parçalarıyla ya da yetersiz bakım koşullarında kullanılırsa, titreşim seviyesi farklılık gösterebilir. Bu durumda, titreşim yükü toplam çalışma zaman aralığı içerisinde belirgin ölçüde yükselebilir.

Titreşim yükünün tam bir değerlendirmesi için ayrıca cihazın kapalı olduğu süreler ve cihazın çalışır durumda olduğu, ancak gerçek kullanımda bulunmadığı süreler de dikkate alınmalıdır. Böylelikle, toplam çalışma zamanı aralığı boyunca meydana gelen titreşim yükü belirgin ölçüde azaltılabilir.

Kullanıcıyı titreşimlerin etkisinden korumak üzere, örneğin elektrikli el aletlerinin ve eklenti parçalarının bakımı, ellerin sıcak tutulması ve iş akışlarının organizasyonu gibi ek güvenlik tedbirleri belirleyiniz.

UYARI! Bütün güvenlik notlarını ve talimatları okuyunuz. Açıklanan uyarılara ve talimat hükümlerine uyulmadığı takdirde elektrik çarpmalarına, yangınlara ve/veya ağır yaralanmalara neden olunabilir. **Bütün uyarıları ve talimat hükümlerini ileride kullanmak üzere saklayın.**

DEKUPAJ TESTERELERİ İÇİN GÜVENLİK UYARILARI

Koruyucu kulaklık kullanın. Çalışırken çıkan gürültü işitme kayıplarına neden olabilir.

Kesme aletinin eğrilmiş elektrik kabloları isabet eden çalışmalar yapılırken cihazı izole edilmiş kollarından tutun. Elektrik akımı ileten kablolarla temas edilecek olursa metal alet elemanlarına da gerilim geçer ve bu da elektrik çarpmalarına neden olabilir.

EK GÜVENLİK VE ÇALIŞMA TALİMATLARI

Koruma teçhizatı kullanın.Makinada çalışırken devamlı surette koruyucu gözlük takın. Koruyucu elbise ve tozlardan korunma maskesi, emniyet eldivenleri ve sağlam ve kaymaya mukavim ayakkabı giyin. Başlık ve kulaklık tavsiye edilir.

Çalışma sırasında ortaya çıkan toz genellikle sağlığa zararlıdır ve bedeninize temas etmemelidir. Uygun bir koruyucu toz maskesi kullanın

Sağlık tehlikelerine neden olan malzemelerin işlenmesi yasaktır (örn. asbest).

Uca yerleştirilen takımın bloke olması halinde lütfen cihazı hemen kapatın! Uca yerleştirilen takım bloke olduğu sürece cihazı tekrar çalıştırmayın; bu sırada yüksek reaksiyon

momentine sahip bir geri tepme meydana gelebilir. Uca yerleştirilen takımın neden bloke olduğuna bakın ve bu durumu güvenlik uyarılarına dikkat ederek gidin.

Olası nedenler şunlar olabilir:

- İşlenen parça içinde takılma
- İşlenen malzemenin delinmesi
- Elektrikli alete aşırı yük binmesi

Ellerinizi çalışmakta olan makinenin içine uzatmayın.

Uca yerleştirilen takım kullanım sırasında ısınabilir.

UYARI! Yanma tehlikesi

- takım değiştirme sırasında
- aletin yere bırakılması sırasında

Alet çalışır durumda iken talaş ve kırpıntıları temizlemeye çalışmayın.

Duvar, tavan ve zeminde delik açarken elektrik kablolarına, gaz ve su borularına dikkat edin.

İşlenen parçayı bir germe tertibatıyla emniyete alın. Emniyete alınmayan iş parçaları ağır yaralanmalar ve hasarlara neden olabilir.

Çatlamış ve deforme olmuş testere bıçaklarını kullanmayın!

Malzeme içine dalarak kesme sadece yumuşak malzemelerde (tahta, duvarlarda kullanılan hafif yapı malzemeleri gibi) mümkündür. Sert malzemelerde ise testere bıçağı boyutuna uygun bir ön kılavuz delik açılmalıdır.

Aletin kendinde bir çalışma yapmadan önce kartuş aküyü çıkarın.

Kullanılmış kartuş aküleri ateşe veya ev çöplerine atmayın. Milwaukee, kartuş akülerin çevreye zarar vermeyecek

biçimde tasfiye edilmesine olanak sağlayan hizmet sunar; lütfen bu konuda yetkili satıcınızdan bilgi alın.

Kartuş aküleri metal parça veya eşyalara birlikte saklamayın (kısa devre tehlikesi).

Şarj cihazının kartuş akü yuvasına hiçbir şekilde metal parçalar kaçmamalıdır (kısa devre tehlikesi).

M18 sistemli kartuş aküleri sadece M18 sistemli şarj cihazları ile şarj edin. Başka sistemli aküleri şarj etmeyin.

Kartuş aküleri ve şarj cihazını açmayın ve sadece kuru yerlerde saklayın. Neme ve ıslanmaya karşı koruyun.

Aşırı zorlanma veya aşırı ısınma sonucu hasar gören kartuş akülerden batarya sıvısı dışarı akabilir. Batarya sıvısı ile temasa gelen yeri hemen bol su ve sabunla yıkayın. Batarya sıvısı gözünüze kaçacak olursa en azından 10 dakika yıkayın ve zaman geçirmeden bir hekime başvurun.

KULLANIM

Bu dekupaj testeresi tahta, plastik ve metali keser; düz, gönyeli, kavisli ve içten kesme işlerini yapar.

Bu alet sadece belirtildiği gibi ve usulüne uygun olarak kullanılabilir.

CE UYGUNLUK BEYANI

Tek sorumlu olarak "Teknik Veriler" bölümünde tarif edilen ürünün 2011/65/EU (RoHS), 2014/30/EU, 2006/42/EC sayılı direktifin ve aşağıdaki harmonize temel belgelerin bütün önemli hükümlerine uygun olduğunu beyan etmekteyiz:

EN 60745-1:2009 + A11:2010
EN 60745-2-11:2010
EN 55014-1:2006 + A1:2009 + A2:2011
EN 61000-4-2:2009
EN 55014-2:1997 + A1:2001 + A2:2008
EN 50581:2012

Winnenden, 2016-05-24

Alexander Krug

Alexander Krug
Managing Director



Teknik evrakları hazırlamakla görevlendirilmiştir.

Techtronic Industries GmbH
Max-Eyth-Straße 10
71364 Winnenden
Germany

AKÜ

Uzun süre kullanım dışı kalmış kartuş aküleri kullanmadan önce şarj edin.

50°C üzerindeki sıcaklıklar kartuş akünün performansını düşürür. Akünün güneş ışığı veya mekân sıcaklığı altında uzun süre ısınmamasına dikkat edin.

Şarj cihazı ve kartuş aküdeki bağlantı kontaklarını temiz tutun.

Akünün ömrünün mükemmel bir şekilde uzun olması için kullandıktan sonra tamamen doldurulması gerekir.

Ömrünün mümkün olduğu kadar uzun olması için akülerin yüklemeye yapıldıktan sonra doldurma cihazından uzaklaştırılması gerekir.

Akünün 30 günden daha fazla depolanması halinde:

Aküyü takriben 27°C'de kuru olarak depolayın.

Aküyü yüklemeye durumunun takriben % 30 - %50 olarak depolayın.

Aküyü her 6 ay yeniden doldurun.

BAKIM

Aletin havalandırma aralıklarını daima temiz tutun.

Sadece Milwaukee aksesuarını ve yedek parçalarını kullanın. Değiştirilmesi açıklanmamış olan parçaları bir Milwaukee müşteri servisinde değiştirin (Garanti broşürüne ve müşteri servisi adreslerine dikkat edin).

Gerektiği takdirde aletin dağınık görünüş şeması, alet tipinin ve tip etiketi üzerindeki sayının bildirilmesi koşuluyla müşteri servisinden veya doğrudan Techtronic Industries GmbH, Max-Eyth-Straße 10, 71364 Winnenden, Germany adresinden istenebilir.

SEMBOLLER

	DİKKAT! UYARI! TEHLİKE!
	Aletin kendinde bir çalışma yapmadan önce kartuş aküyü çıkarın.
	Lütfen aleti çalıştırmadan önce kullanma kılavuzunu dikkatli biçimde okuyun.
	Koruyucu eldivenlerinizi takınız!
	Koruyucu kulaklık kullanın!
	Aksesuar - Teslimat kapsamında değildir, önerilen tamamlamalar aksesuar programında.
	Elektrikli cihazların evsel atıklarla birlikte bertaraf edilmesi yasaktır. Elektrikli ve elektronik cihazlar ayrılarak biriktirilmeli ve çevreye zarar vermeden bertaraf edilmeleri için bir atık değerlendirme tesisine götürülmelidir. Yerel makamlara veya satıcınıza geri dönüşüm tesisleri ve atık toplama merkezlerinin yerlerini danışınız.
	CE işareti
	Ulusal uygunluk işareti Ukrayna
	EurAsian Conformity Mark.

TECHNICKÁ DATA	AKU PŘIMOČARÁ PILA	M18 BJS
Výrobní číslo.....	4568 60 01... ...000001-999999
Napětí výměnného akumulátoru.....	18 V
Počet zdvihů při b. napr.....	0-2800 min ⁻¹ (+/- 10%)
Výška zdvihů.....	26 mm
šikmé řezy do.....	45°
Rezná hloubka max. v:		
Dřevo.....	55 mm
Hliník.....	10 mm
Hmotnost podle prováděcího předpisu EPTA 01/2003 (4,0 Ah).....	3,3 kg

Informace o hluku / vibracích

Naměřené hodnoty odpovídají EN 60 745.

V třídě A posuzovaná hladina hluku přístroje činí typicky:

Hladina akustického tlaku (Kolísavost K=3dB(A))..... 85 dB (A)

Hladina akustického výkonu (Kolísavost K=3dB(A))..... 96 dB (A)

Používejte chrániče sluchu !

Celkové hodnoty vibrací (vektorový součet tří směrů) zjištěné ve smyslu EN 60745.

Rezáni dřeva

Hodnota vibračních emisí a_h..... 6,41 m/s²

Kolísavost K=..... 1,5 m/s²

Rezáni kovových plechů

Hodnota vibračních emisí a_h..... 4,53 m/s²

Kolísavost K=..... 1,5 m/s²

VAROVÁNÍ

Úroveň chvění uvedená v tomto návodu byla naměřena podle metody měření stanovené normou EN 60745 a může být použita pro porovnání elektrického nářadí. Hodí se také pro průběžný odhad zatížení chvěním.

Uvedená úroveň chvění představuje hlavní účely použití elektrického nářadí. Jestliže se ale elektrické nářadí používá pro jiné účely, s odlišnými nástroji nebo s nedostatečnou údržbou, může se úroveň chvění odlišovat. To může značně zvýšit zatížení chvěním během celé pracovní doby.

Pro přesný odhad zatížení chvěním se musí také zohlednit časy, během kterých je přístroj vypnutý nebo kdy je sice v chodu, ale skutečně se s ním nepracuje. To může zatížení chvěním během celé pracovní doby značně snížit.

Stanovte doplňková bezpečnostní opatření pro ochranu obsluhy před účinky chvění jako například: technická údržba elektrického nářadí a nástrojů, udržování teploty rukou, organizace pracovních procesů.

UPOZORNĚNÍ! Přečtěte si všechny bezpečnostní pokyny a návody. Zanedbání při dodržování varovných upozornění a pokynů mohou mít za následek úder elektrickým proudem, požár a/nebo těžká poranění. **Všechna varovná upozornění a pokyny do budoucna uschovejte.**

BEZPEČNOSTNÍ POKYNY PRO DĚROVACÍ PILY

Používejte chrániče sluchu. Působením hluku může dojít k poškození sluchu.

Při provádění prací, při kterých nástroj může narazit na skryta elektrická vedení, držte přístroj za izolované přidržovací plošky. Kontakt s vedením pod napětím přivádí napětí i na kovové díly stroje a vede k elektrickému úderu.

DALŠÍ BEZPEČNOSTNÍ A PRACOVNÍ POKYNY

Použijte ochranné vybavení. Při práci s elektrickým nářadím používejte vždy ochranné brýle. Doporučujeme rovněž použití součástí ochranného oděvu a ochranné obuvi, jako protiprašné masky, ochranných rukavic, pevné a nekouzající obuvi, ochranné přilby a ochrany sluchu.

Prach vznikající při práci s tímto nářadím může být zdraví škodlivý. Proto by neměl přijít do styku s tělem. Používejte při práci vhodnou ochranu masku.

Nesmějí se opravovávat materiály, které mohou způsobit ohrožení zdraví (např. azbest)

Při zablokování nasazeného nástroje přístroj okamžitě vypněte! Přístroj nezapínejte, pokud je nasazený nástroj zablokovaný; mohl by při tom vzniknout zpětný náraz s vysokým reakčním momentem. Zjistěte příčinu zablokování

nasazeného nástroje a odstraňte ji při dodržení bezpečnostních pokynů.

Možnými příčinami mohou být:

- vzpříčení v opracovávaném obrobku
- přelomení opracovávaného materiálu
- přetížení elektrického přístroje

Nezasahujte do běžícího stroje.

Nasazený nástroj se může během používání rozpálit. **VAROVÁNÍ!** Nebezpečí popálení.

- při výměně nástroje
- při odkládání přístroje

Pokud stroj běží, nesmí být odstraňovány třísky nebo odštěpky.

Při vrtní do zdi, stropu nebo podlahy dávat pozor na elektrické kabely, plynová a vodovodní potrubí.

Obrobek zabezpečte upínacím zařízením. Nebezpečné obrobky mohou způsobit těžká poranění a poškození.

Popraskané nebo zdeformované pilové listy nesmí být používány!

Takzvané ponorné řezy jsou možné jen u měkkých materiálu. Zapneme nástroj a nasadíme ho na vodící třmen, jednou rukou dobře přidržujeme kryt a druhou rukou zatlačíme ovladač nahoru a zanoříme pilový list.

Před zahájením veškerých prací na vrtacím šroubováku vyjmout výměnný akumulátor.

Použité nevyhazujte do domovního odpadu nebo do ohně. Milwaukee nabízí ekologickou likvidaci starých článků, ptejte se u vašeho obchodníka s nářadím.

Náhradní akumulátor neskladujte s kovovými předměty, nebezpečí zkratu.

V nabíjecím postu nabíječky neskladujte kovové předměty, nebezpečí zkratu.

Akumulátor systému M18 nabíjejte pouze nabíječkou systému M18. Nenabíjejte akumulátory jiných systémů.

Náhradní akumulátory ani nabíječku neotvírejte, skladujte je v suchu, chráňte před vlhkem.

Při extrémní zátěži či vysoké teplotě může z akumulátoru vytékat kapalina. Při zasažení touto kapalinou okamžitě zasažená místa omyjte vodou a mýdlem. Při zasažení očí okamžitě důkladně po dobu alespoň 10 min. omyvat a neodkladně vyhledat lékaře.

OBLAST VYUŽITÍ

Přimočará pila řeže dřevo, plast a kov. Je s ní možné provádět rovné řezy, řezy pod úhlem, křivky a vnitřní vyřezy. Toto zařízení lze používat jen pro uvedený účel.

CE-PROHLÁŠENÍ O SHODĚ

Výhradně na vlastní zodpovědnost prohlašujeme, že se výrobek popsaný v "Technických údajích" shoduje se všemi relevantními předpisy směrnice 2011/65/EU (RoHS), 2014/30/ES, 2006/42/ES a s následujícími harmonizovanými normativními dokumenty:

EN 60745-1:2009 + A11:2010

EN 60745-2-11:2010

EN 55014-1:2006 + A1:2009 + A2:2011

EN 61000-4-2:2009

EN 55014-2:1997 + A1:2001 + A2:2008

EN 50581:2012

Winnenden, 2016-05-24



Alexander Krug
Managing Director



Zplnomocněn k sestavování technických podkladů.

Techtronic Industries GmbH

Max-Eyth-Straße 10

71364 Winnenden

Germany

AKUMULÁTORY

Hladina akustického tlaku (Kolísavost K=3dB(A))

Hladina akustického výkonu (Kolísavost K=3dB(A))

Teplota přes 50°C snižuje výkon akumulátoru. Chraňte před dlouhým přehříváním na slunci či u topení.

Kontakty nabíječky a akumulátoru udržujte v čistotě.

Pro optimální životnost je nutné akumulátory po použití plně dobít.

K zabezpečení dlouhé životnosti by se akumulátory měly po nabití vyjmout z nabíječky.

Při skladování akumulátoru po dobu delší než 30 dní:

Skladujte akumulátor v suchu při cca 27°C.

Skladujte akumulátor při cca 30%-50% nabíjecí kapacity.

Opakujte nabíjení akumulátoru každých 6 měsíců.

ÚDRŽBA

Větrací šterbiny nářadí udržujeme stále čisté.

Používejte výhradně náhradní díly a příslušenství Milwaukee. Díly, jejichž výměna nebyla popsána, nechávejte vyměnit v odborném servisu Milwaukee. (Viz záruční list.)

Při potřebě podrobného rozkresu konstrukce, oslovte informaci o typu a čísle přímo servis a nebo výrobce, Techtronic Industries GmbH, Max-Eyth-Straße 10, 71364 Winnenden, Germany.

SYMBOLY



POZOR! VAROVÁN! NEBEZPEČÍ!



Před zahájením veškerých prací na vrtacím šroubováku vyjmout výměnný akumulátor.



Před spuštěním stroje si pečlivě přečtěte návod k používání.



Používejte ochranné rukavice!



Používejte chrániče sluchu !



Příslušenství není součástí dodávky, viz program příslušenství.



Elektrické přístroje se nesmí likvidovat společně s odpadem z domácností. Elektrické a elektronické přístroje je třeba sbírat odděleně a odevzdat je v recyklačním podniku na ekologickou likvidaci. Na místních úřadech nebo u vašeho specializovaného prodejce se informujte na recyklační podniky a sběrné dvory.



Značka CE



Národní znak shody Ukrajiny



EurAsian Conformity Mark.

TECHNICKÉ ÚDAJE	AKUMULÁTOROVÁ DIEROVACIA PÍLA	M18 BJS
Výrobné číslo	4568 60 01... ...000001-999999
Napätie výmenného akumulátora	18 V
Počet zdvihov naprázdno	0-2800 min ⁻¹ (+/- 10%)
Výška zdvihov	26 mm
Šikmé rezy až	45°
Max. hĺbka rezu v:		
Drevo	55 mm
hliník	10 mm
Hmotnosť podľa vykonávacieho predpisu EPTA 01/2003 (4,0 Ah)	3,3 kg

Informácia o hluku / vibráciách

Namerané hodnoty určené v súlade s EN 60 745.
V triede A posudzovaná hladina hluku prístroja činí typicky:
Hladina akustického tlaku (Kolísavosť K=3dB(A)) 85 dB (A)
Hladina akustického výkonu (Kolísavosť K=3dB(A)) 96 dB (A)

Používajte ochranu sluchu!

Celkové hodnoty vibrácií (vektorový súčet troch smerov)
zistené v zmysle EN 60745.

Rezanie dreva		
Hodnota vibračných emisií a _h	6,41 m/s ²
Kolísavosť K=	1,5 m/s ²
Rezanie kovových plechov		
Hodnota vibračných emisií a _h	4,53 m/s ²
Kolísavosť K=	1,5 m/s ²

POZOR

Úroveň vibrácií uvedená v týchto pokynoch bola nameraná meracou metódou, ktorú stanovuje norma EN 60745 a je možné ju použiť na vzájomné porovnanie elektrického náradia. Hodí sa aj na predbežné posúdenie kmitavého namáhania.

Uvedená úroveň vibrácií reprezentuje hlavné aplikácie elektrického náradia. Ak sa však elektrické náradie používa pre iné aplikácie, s odlišnými vloženími nástrojmi alebo s nedostatočnou údržbou, môže sa úroveň vibrácií líšiť. Toto môže kmitavé namáhanie v priebehu celej pracovnej doby podstatne zvýšiť.

Pre presný odhad kmitavého namáhania by sa mali tiež zohľadniť doby, v ktorých je náradie vypnuté alebo je síce v chode, ale v skutočnosti sa nepoužíva. Toto môže kmitavé namáhanie v priebehu celej pracovnej doby zreteľne redukovat'.

Stanovte dodatočné bezpečnostné opatrenia pre ochranu obsluhy pred účinkami vibrácií, ako napríklad: údržba elektrického náradia a vložných nástrojov, udržiavanie teploty rúk, organizácia pracovných postupov.

UPOZORNENIE! Prečítajte si všetky bezpečnostné pokyny a návody. Zanedbanie dodržiavania Výstražných upozornení a pokynov uvedených v nasledujúcom texte môže mať za následok zásah elektrickým prúdom, spôsobit' požiar a/alebo ťažké poranenie.
Tieto výstražné upozornenia a bezpečnostné pokyny starostlivo uschovajte na budúce použitie.

BEZPEČNOSTNÉ POKYNY PRE DIEROVACIE PÍLY

Používajte ochranu sluchu. Pôsobenie hluku môže spôsobiť stratu sluchu.

Pri realizovaní prác, pri ktorých nástroj môže naraziť na skryté elektrické vedenia, držte prístroj za izolované pridrôzovacie plošky. Kontakt s vedením, ktoré je pod napätím, spôsobí, že aj kovové súčiastky náradia sa dostanú pod napätie, čo má za následok zásah elektrickým prúdom.

ĎALŠIE BEZPEČNOSTNÉ A PRACOVNÉ POKYNY

Použite ochranné vybavenie. Pri práci s elektrickým náradím používajte vždy ochranné okuliare. Doporučujeme taktiež použitie súčastí ochranného odevu a ochrannej obuvi, ako sú protiprašná maska, ochranné rukavice, pevná a nekĺzajúca obuv, ochranná prilba a ochrana sluchu.

Prach vznikajúci pri práci môže byť škodlivý zdraviu. Pri práci nosiť vhodnú ochrannú masku, aby sa nedostal do ľudského organizmu.

Nesmú sa upravovať materiály, ktoré môžu spôsobiť ohrozenie zdravia (napr. azbest)

Pri zablokovaní nasadeného nástroja prístroj okamžite vypnite! Prístroj nezapínajte, pokiaľ je nasadený nástroj

zablokovaný; mohol by pri tom vzniknúť spätný náraz s vysokým reakčným momentom. Príčinu zablokovania nasadeného nástroja zistite a odstráňte so zohľadnením bezpečnostných pokynov.

Možnými príčinami môžu byť:

- spriečenie v opracovávanom obrobru
- prelomenie opracovávaného materiálu
- preťaženie elektrického prístroja

Nezasahujte do bežiacieho stroja.

Nasadený nástroj sa počas používania môže rozhorúčiť.

POZOR! Nebezpečenstvo popálenia

- pri výmene nástroja
- pri odkladaní prístroja

Triesky alebo úlomky sa nesmú odstraňovať za chodu stroja.

Pri práci v stene, strope alebo v podlahe dávajte pozor na elektrické káble, plynové a vodovodné potrubia.

Obrobok zabezpečte upínacím zariadením. Nezabezpečené obroby môžu spôsobiť ťažké poranenia a poškodenia.

Popraskané pilové listy alebo také, ktoré zmenili tvar, nesmú sa použiť.

Ponorné pílenie je možné len v mäkkších materiáloch (drevo, ľahké stavebné materiály pre steny), v tvrdších materiáloch (kovy) sa musí vyvrtat najprv diera odpovedajúca veľkosti pilového listu.

Pred každou prácou na stroji výmenný akumulátor vyťahnuť.

Opotrebované výmenné akumulátory nezahadzujte do ohňa alebo medzi domový odpad. Milwaukee ponúka likvidáciu starých výmenných akumulátorov, ktorá je v súlade s

ochranou životného prostredia; informujte sa u Vášho predajcu.

Výmenné akumulátory neskladovať spolu s kovovými predmetmi (nebezpečenstvo skratu).

Do zasúvacieho otvoru pre výmenné akumulátory na nabíjacom zariadení, sa nesmú dostať žiadne kovové predmety (nebezpečenstvo skratu).

Výmenné akumulátory systému M18 nabíjajú len nabíjacími zariadeniami systému M18. Akumulátory iných systémov týmito zariadením nenabíjajú.

Výmenné akumulátory a nabíjacie zariadenia neotvárajú a skladovať len v suchých priestoroch. Chrániť pred vlhkosťou.

Pri extrémnych záťažach alebo extrémnych teplotách môže dôjsť k vytekaniu batérovej tekutiny z poškodeného výmenného akumulátora. Ak dôjde ku kontaktu pokožky s roztokom, postihnuté miesto umyť vodou a mydlom. Ak sa roztok dostane do očí, okamžite ich dôkladne vypláchnuť po dobu min. 10 min a bezodkladne vyhľadať lekára.

POUŽITIE PODĽA PREDPISOV

Kmitacia píla pili drevo, plast a kov. Vyrezáva priamky, úkopy, krivky a vnútorné výrezy.

Tento prístroj sa smie používať len v súlade s uvedenými predpismi.

CE - VYHLÁSENIE KONFORMITY

Výhradne na vlastnú zodpovednosť vyhlasujeme, že výrobok popísaný v "Technických údajoch" sa zhoduje so všetkými relevantnými predpismi smernice 2011/65/EU (RoHS), 2014/30/EU, 2006/42/EC a nasledujúcimi harmonizujúcimi normatívnymi dokumentmi:

EN 60745-1:2009 + A11:2010
EN 60745-2-11:2010
EN 55014-1:2006 + A1:2009 + A2:2011
EN 61000-4-2:2009
EN 55014-2:1997 + A1:2001 + A2:2008
EN 50581:2012

Winnenden, 2016-05-24

Alexander Krug

Alexander Krug
Managing Director



Splnomocnený zostaviť technické podklady.

Techtronic Industries GmbH
Max-Eyth-Straße 10
71364 Winnenden
Germany

AKUMULÁTORY

Dlhší čas nepoužívané výmenné akumulátory pred použitím dobiť.

Teplota vyššia ako 50°C znižuje výkon výmenného akumulátora. Zabráňte dlhšiemu ohriatiu slnkom alebo kúrením.

Pripájacie kontakty na nabíjacom zariadení a výmennom akumulátore udržiavať čisté.

Pre optimálnu životnosť je nutné akumulátory po použití plne dobiť.

K zabezpečeniu dlhej životnosti by sa akumulátory mali po nabití vybrať z nabíjačky.

Pri skladovaní akumulátora po dobu dlhšiu než 30 dní: Skladujte akumulátor v suchu pri cca 27°C.

Skladujte akumulátor pri cca 30%-50% nabíjacej kapacity. Opakujte nabíjanie akumulátora každých 6 mesiacov.

ÚDRZBA

Vetracie otvory udržiavať stále v čistote.

Používať len Milwaukee príslušenstvo a náhradné diely. Súčiastky bez návodu na výmenu treba dat vymeniť v

jednom z Milwaukee zákaznických centier (viď brožúru Záruka/Adresy zákaznických centier).

Pri udaní typu stroja a čísla nachádzajúceho sa na štítku dá sa v prípade potreby vyžiadať explozívna schéma prístroja od vášho zákaznického centra alebo priamo v Techtronic Industries GmbH, Max-Eyth-Straße 10, 71364 Winnenden, Germany.

SYMBOLY

	POZOR! NEBEZPEČENSTVO!
	Pred každou prácou na stroji výmenný akumulátor vyťahnuť.
	Pred prvým použitím prístroja si pozorne prečítajte návod na obsluhu.
	Používajte ochranné rukavice!
	Používajte ochranu sluchu!
	Príslušenstvo - nie je súčasťou štandardnej výbavy, odporúčané doplnenie z programu príslušenstva.
	Elektrické prístroje sa nesmú likvidovať spolu s odpadom z domácností. Elektrické a elektronické prístroje treba zbierať oddelene a odovzdať ich v recyklačnom podniku na ekologickú likvidáciu. Na miestnych úradoch alebo u vášho špecializovaného predajcu sa spýtajte na recyklačné podniky a zberné dvory.
	Značka CE
	Národný znak zhody Ukrajiny
	EurAsian Conformity Mark.

DANETECHNICZNE WYRZYNARKA AKUMULATOROWA	M18 BJS
Numer produkcyjny.....	4568 60 01... ...000001-999999
Napięcie baterii akumulatorowej.....	18 V
Skok bez obciążenia	0-2800 min ⁻¹ (+/- 10%)
Długość skoku	26 mm
Cięcie ukośne, do	45°
Maksymalna głębokość cięcia	
Drewno	55 mm
Aluminium	10 mm
Ciężar wg procedury EPTA 01/2003 (4,0 Ah)	3,3 kg

Informacja dotycząca szumów/wibracji

Zmierzone wartości wyznaczone zgodnie z normą EN 60 745. Poziom szumów urządzenia oszacowany jako A wynosi typowo:

Poziom ciśnienia akustycznego (Niepewność K=3dB(A)).....	85 dB (A)
Poziom mocy akustycznej (Niepewność K=3dB(A))	96 dB (A)

Należy używać ochroniaczy uszu!

Wartości łączne drgań (suma wektorowa trzech kierunków) wyznaczone zgodnie z normą EN 60745

Piłowanie drewna	
Wartość emisji drgań a _h	6,41 m/s ²
Niepewność K=.....	1,5 m/s ²
Cięcie blachy stalowej	
Wartość emisji drgań a _h	4,53 m/s ²
Niepewność K=.....	1,5 m/s ²

OSTRZEŻENIE

Podany w niniejszych instrukcjach poziom drgań został zmierzony za pomocą metody pomiarowej zgodnej z normą EN 60745 i może być użyty do porównania ze sobą elektronarzędzi. Nadaje się on również do tymczasowej oceny obciążenia wibracyjnego.

Podany poziom drgań reprezentuje główne zastosowania elektronarzędzia. Jeśli jednakże elektronarzędzie użyte zostanie do innych celów z innym narzędziami roboczymi lub nie jest dostatecznie konserwowane, wtedy poziom drgań może wykazywać odchylenia. Może to wyraźnie zwiększyć obciążenie wibracjami przez cały okres pracy.

Dla dokładnego określenia obciążenia wibracjami należy uwzględnić również czasy, w których urządzenie jest wyłączone względnie jest włączone, lecz w rzeczywistości nie pracuje. Może to spowodować wyraźną redukcję obciążenia wibracyjnego w całym okresie pracy.

Należy wprowadzić dodatkowe środki zapobiegawcze celem ochrony obsługującego przed oddziaływaniem drgań, jak na przykład: konserwacja narzędzi roboczych i elektronarzędzi, nagrzanie rąk, organizacja przebiegu pracy.

! OSTRZEŻENIE! Należy przeczytać wszystkie wskazówki dotyczące bezpieczeństwa i instrukcje. Błędy w przestrzeganiu poniższych wskazówek mogą spowodować porażenie prądem, pożar i/lub ciężkie obrażenia ciała. **Należy starannie przechowywać wszystkie przepisy i wskazówki bezpieczeństwa dla dalszego zastosowania.**

! WSKAZÓWKI DOTYCZĄCE BEZPIECZEŃSTWA DLA OTWORNIC

Stosować środki ochrony słuchu! Narazenie na hałas może spowodować utratę słuchu.

Trzymaj urządzenie za izolowane powierzchnie chwytne gdy wykonujesz roboty, w trakcie których narzędzie skrawające może natrafić na ukryte przewody prądowe. Kontakt z przewodami pod napięciem wprowadza również metalowe części urządzenia pod napięciem i prowadzi do porażenia prądem.

DODATKOWE WSKAZÓWKI BEZPIECZEŃSTWA I INSTRUKCJE ROBOCZE

Stosować wyposażenie ochronne. Przy pracy maszyną zawsze nosić okulary ochronne. Zalecaną jest odzież ochronna, jak maska pyłochronna, rękawice ochronne, mocne i chroniące przed poślizgiem obuwie, kask i ochronnik słuchu.

Kurz powstający przy pracy z tym elektronarzędziem może być szkodliwy dla zdrowia, w związku z tym nie powinien dotrzeć do ciała. Nosić odpowiednią maskę przeciwpyłową. Nie wolno obrabiać materiałów, które mogą być przyczyną zagrożenia zdrowia (na przykład azbestu).

W przypadku zablokowania narzędzia nasazanego należy natychmiast wyłączyć urządzenie! Nie należy ponownie

włączać urządzenia tak długo, jak długo narzędzie nasadzone jest zablokowane; przy tym mógłby powstać odrzut zwrotny o dużym momencie reakcyjnym. Należy wykręcić i usunąć przyczynę zablokowania narzędzia nasazanego uwzględniając wskazówki dotyczące bezpieczeństwa.

Możliwymi przyczynami tego mogą być:

- Skośne ustawienie się w poddawany obróbce przedmiocie obrabianym
- Przerwanie materiału poddawanego obróbce
- Przeciążenie narzędzia elektrycznego

Nie należy sięgać do wnętrza maszyny będącej w ruchu.

Narzędzie nasadzone może w trakcie użytkowania stać się gorące.

OSTRZEŻENIE! Niebezpieczeństwo oparzenia się

- przy wymianie narzędzia
- przy odstawianiu urządzenia

Podczas pracy elektronarzędzia nie wolno usuwać trocin ani drzazg.

Podczas pracy przy ścianach, sufitach i podłodze należy uważać na kable elektryczne, przewody gazowe i wodociągowe.

Należy zabezpieczyć przedmiot poddawany obróbce za pomocą urządzenia mocującego. Niezabezpieczone przedmioty poddawane obróbce mogą spowodować ciężkie obrażenia ciała i uszkodzenia.

Nie używać pękniętych lub zniekształconych brzeszczotów! Wykonywanie cięć wgłębnych bez uprzedniego nawiercenia otworu możliwe jest tylko w materiałach miękkich (drewno, lekkie materiały budowlane na ściany). W twardszych

materiałach (metalach) należy najpierw wywiercić otwór odpowiadający rozmiarowi brzeszczotu.

Przed przystąpieniem do jakichkolwiek prac na elektronarzędziu należy wyjąć wkładkę akumulatorową. Zużytych akumulatorów nie wolno wrzucać do ognia ani traktować jako odpadów domowych. Milwaukee oferuje ekologiczną utylizację zużytych akumulatorów.

Nie przechowywać akumulatorów wraz z przedmiotami metalowymi (niebezpieczeństwo zwarcia).

Do ładowarki nie wolno wkładać żadnych przedmiotów metalowych (niebezpieczeństwo zwarcia).

Akumulatory Systemu M18 należy ładować wyłącznie przy pomocy ładowarek Systemu M18. Nie ładować przy pomocy tych ładowarek akumulatorów innych systemów.

Nie otwierać wkładek akumulatorowych i ładowarek. Przechowywać w suchych pomieszczeniach. Chronić przed wilgocią.

W skrajnych warunkach temperaturowych lub przy bardzo dużym obciążeniu może dochodzić do wycieku kwasu akumulatorowego z uszkodzonych baterii akumulatorowych. W przypadku kontaktu z kwasem akumulatorowym należy natychmiast przemyć miejsce kontaktu wodą z mydłem. W przypadku kontaktu z oczami należy dokładnie przepłukiwać oczy przynajmniej przez 10 minut i zwrócić się natychmiast o pomoc medyczną.

WARUNKI UŻYTKOWANIA

Piła wyrzynarka tnie drewno, tworzywa sztuczne oraz metal. Wycina linie proste, krzywe, otwory wewnętrzne oraz tnie skośnie.

Produkt można użytkować wyłącznie zgodnie z jego normalnym przeznaczeniem.

DEKLARACJA ZGODNOŚCI CE

Oświadczamy na naszą wyłączną odpowiedzialność, że produkt opisany w punkcie "Dane techniczne" jest zgodny ze wszystkimi istotnymi przepisami Dyrektywy 2011/65/EU (RoHS), 2014/30/UE, 2006/42/WE oraz z następującymi zharmonizowanymi dokumentami normatywnymi:

EN 60745-1:2009 + A11:2010
EN 60745-2-11:2010
EN 55014-1:2006 + A1:2009 + A2:2011
EN 61000-4-2:2009
EN 55014-2:1997 + A1:2001 + A2:2008
EN 50581:2012

Winnenden, 2016-05-24



Alexander Krug
Managing Director



Upelnomocniony do zestawienia danych technicznych
Techtronic Industries GmbH
Max-Eyth-Straße 10
71364 Winnenden
Germany

BATERIE AKUMULATOROWE

Akumulatory, które nie były przez dłuższy czas użytkowane, należy przed użyciem naładować.

W temperaturze powyżej 50°C następuje spadek osiągniętych wkładek akumulatorowej. Unikać długotrwałego wystawienia na oddziaływanie ciepła lub promieni słonecznych (niebezpieczeństwo przegrzania).

Styki ładowarek i wkładek akumulatorowych należy utrzymywać w czystości

Dla zapewnienia optymalnej żywotności akumulatory po użyciu należy naładować do pełnej pojemności.

Dla zapewnienia możliwie długiej żywotności akumulatory należy wyjąć z ładowarki po ich naładowaniu.

W przypadku składowania akumulatorów dłużej aniżeli 30 dni: Przechowywać je w suchym miejscu w temperaturze ok. 27°C. Przechowywać je w stanie naładowanym do ok. 30% - 50%. Ładować je ponownie co 6 miesięcy.











UTRZYMANIE I KONSERWACJA

Otwory wentylacyjne elektronarzędzia muszą być zawsze drożne.

Należy stosować wyłącznie wyposażenie dodatkowe i części zamienne Milwaukee. W przypadku konieczności wymiany części, dla których nie podano opisu, należy skontaktować się z przedstawicielami serwisu Milwaukee (patrz lista punktów obsługi gwarancyjnej/serwisowej).

Na życzenie można otrzymać rysunek widoku zespołu rozebranego. Przy zamawianiu należy podać numer oraz typ elektronarzędzia umieszczonego na tabliczce znamionowej. Zamówienia można dokonać albo u lokalnych przedstawicieli serwisu, albo bezpośrednio w Techtronic Industries GmbH, Max-Eyth-Straße 10, 71364 Winnenden, Germany.

SYMBOLE

	UWAGA! OSTRZEŻENIE NIEBEZPIECZEŃSTWO!
	Przed przystąpieniem do jakichkolwiek prac na elektronarzędziu należy wyjąć wkładkę akumulatorową.
	Przed uruchomieniem elektronarzędzia zapoznać się uważnie z treścią instrukcji.
	Nosić rękawice ochronne!
	Należy używać ochroniaczy uszu!
	Wyposażenie dodatkowe dostępne osobno.
	Urządzenia elektryczne nie mogą być usuwane razem z odpadami pochodzącymi z gospodarstw domowych. Urządzenia elektryczne i elektroniczne należy gromadzić oddzielnie i w celu usuwania ich do odpadów zgodnie z wymaganiami środowiska naturalnego oddawać do przedsiębiorstwa utylizacyjnego. Proszę zasięgnąć informacji o centrach recyklingowych i punktach zbiorczych u władz lokalnych lub u wyspecjalizowanego dostawcy.
	Znak CE
	Krajowy znak zgodności Ukraina
	EurAsian Conformity Mark.

MŰSZAKI ADATOKAKKUMULÁTOR SZŰRŐFŰRÉSZÉP		M18 BJS
Gyártási szám.....	4568 60 01...	...000001-999999
Akkumulátor feszültség	18 V	
Üresjáratú löketség.....	0-2800 min ⁻¹ (+/- 10%)	
Lökethossz	26 mm	
Ferdevágás.....	45°	
Vágásmélység max.:		
Fa	55 mm	
Alumínium	10 mm	
Súly a 01/2003 EPTA-eljárás szerint	3,3 kg	

Zaj-/Vibráció-információ

A közölt értékek megfelelnek az EN 60 745 szabványnak.

A készülék munkahelyi zajszintje tipikusan:

Hangnyomás szint (K bizonytalanság=3dB(A))..... 85 dB (A)

Hangteljesítmény szint (K bizonytalanság=3dB(A))..... 96 dB (A)

Hallásvédő eszköz használata ajánlott!

Összesített rezgésértékek (három irány vektoriális összege) az EN 60745-nek megfelelően meghatározva.

Fa fűrészelése

a_h rezgésemisszió érték..... 6,41 m/s²

K bizonytalanság..... 1,5 m/s²

Fémlemez fűrészelése

a_h rezgésemisszió érték..... 4,53 m/s²

K bizonytalanság..... 1,5 m/s²

FIGYELMEZTETÉS

A jelen utasításokban megadott rezgésszint értéke az EN 60745-ben szabályozott mérési eljárásnak megfelelően került leérésre, és használható elektromos szerszámokkal történő összehasonlításhoz. Az érték alkalmas a rezgésterhelés előzetes megbecslésére is.

A megadott rezgésszint-érték az elektromos szerszám legfőbb alkalmazásait reprezentálja. Ha az elektromos szerszámot azonban más alkalmazásokhoz, eltérő használt szerszámokkal vagy nem elegendő karbantartással használják, a rezgésszint értéke eltérő lehet. Ez jelentősen megnövelheti a rezgésterhelést a munkavégzés teljes időtartama alatt.

A rezgésterhelés pontos megbecsléséhez azokat az időket is figyelembe kell venni, melyekben a készülék lekapcsolódik, vagy ugyan működik, azonban ténylegesen nincs használatban. Ez jelentősen csökkentheti a rezgésterhelést a munkavégzés teljes időtartama alatt.

Határozzon meg további biztonsági intézkedéseket a kezelő védelmére a rezgések hatása ellen, például: az elektromos és a használt szerszámok karbantartásával, a kezek melegen tartásával, a munkafolyamatok megszerzésével.

▲ FIGYELMEZTETÉS! Olvasson el minden biztonsági útmutatást és utasítást. A következőkben leírt előírások betartásának elmulasztása áramütésekhez, tűzhöz és/vagy súlyos testi sérülésekhez vezethet. Kérjük a későbbi használatra gondosan őrizze meg ezeket az előírásokat.

▲ SZŰRŐFŰRÉSZEKRE VONATKOZÓ BIZTONSÁGI ÚTMUTATÁSOK

Viseljen hallásvédőt. A zajhatás a hallás elvesztését eredményezheti.

A készüléket a szigetelt markolatfelületeket fogva tartsa, ha olyan munkákat végez, melyeknél a vágószerszám rejtelet elektromos vezetékbe. Ha a berendezés egy feszültség alatt álló vezetékhez ér, a berendezés fémrészei szintén feszültség alá kerülhetnek és áramütéshez vezethetnek.

TOVÁBBI BIZTONSÁGI ÉS MUNKAVÉGZÉSI UTASÍTÁSOK

Használjon védőfelszerelést! Ha a gépen dolgozik, mindig hordjon védőszemüveget! Javasoljuk a védőruházat, úgymint porvédő maszk, védőcipő, erős és csúszásbiztos lábbeli, sisak és hallásvédő használatát.

A munka során keletkező por gyakran egészségre káros, ezért ne kerüljön a szervezetbe. Hordjon e célra alkalmas porvédőmaszkot.

Nem szabad olyan anyagokat megmunkálni, amelyek egészségre veszélyesek (pl. azbeszket).

A betétszerszám elakadásakor azonnal ki kell kapcsolni a készüléket! Addig ne kapcsolja vissza a készüléket, amíg a

betétszerszám elakadása fennáll; ennek során nagy ellennyomatékú visszarúgás történhet. Határozza és szüntesse meg a betétszerszám elakadásának okát a biztonsági útmutatások betartása mellett.

Ennek következők lehetnek az okai:

- a szerszám elakad a megmunkálandó munkadarabban
- a megmunkálandó anyag átszakadt
- az elektromos szerszám túlterhelése

Ne nyúljon a járó gépbe.

A betétszerszám az alkalmazás során felforrósodhat.

FIGYELMEZTETÉS! Égési sérülések veszélye

- szerszámcserék
- a készülék lerakásakor

A munka közben keletkezett forgácsokat, szilánkokat, törmelékét, stb. csak a készülék teljes leállása után szabad a munkaterületről eltávolítani.

Falban, földben, aljzatban történő fúrásnál fokozottan ügyelni kell az elektromos-, víz- és gázvezetésekre.

Biztosítsa a munkadarabot befogó szerkezettel. A nem biztosított munkadarabok súlyos sérüléseket és károkat okozhatnak.

Tilos repedt vagy deformált fűrészlapot használni!

Ún. sülyesztő vágás készítése csak puha anyagba (pl. fa, könnyű falazóanyagok). Kemény anyagok esetében (fémek) egy, a fűrészlap méretének megfelelő furatot kell készíteni.

Karbantartás, javítás, tisztítás, stb. előtt az akkumulátort ki kell venni a készülékből.

A használt akkumulátort ne dobja tűzbe vagy a háztartási szemétkébe. Tájékoztadjon a szakszerű megsemmisítés helyi lehetőségeiről.

Az akkumulátort ne tárolja együtt fém tárgyakkal. (Rövidzárlat veszélye).

Ügyeljen arra, hogy a töltő aknájába ne kerüljön semmilyen fém tárgy, mert ez rövidzárlatot okozhat.

Az "M18" elnevezésű rendszerhez tartozó akkumulátorokat kizárólag a rendszerhez tartozó töltővel töltsen fel. Ne használjon más rendszerbe tartozó töltőt.

Az akkumulátort, töltőt nem szabad megbontani és kizárólag száraz helyen szabad tárolni. Nedvességtől óvni kell.

Akkumulátor sav folyhat a sérült akkumulátorból extrém terhelés alatt, vagy extrém hő miatt. Ha az akkumulátor sav a bőrre kerül azonnal mossa meg szappanos vízzel. Szembe kerülés esetén folyóvíz alatt tartsa a szemét minimum 10 percig és azonnal forduljon orvoshoz.

RENDELTELTÉSSZERŰ HASZNÁLAT

A szűrőfűrész fa, műanyag és fém megmunkálására alkalmas. A készülékkel egyenes, ferde, görbe és belső kivágások készíthetők.

A készüléket kizárólag az alábbiakban leírtaknak megfelelően szabad használni.

CE-AZONOSSÁGI NYILATKOZAT

Egyedüli felelősséggel kijelentjük, hogy a "Műszaki Adatok" alatt leírt termék a 2011/65/EU (RoHS), 2014/30/EU, 2006/42/EK irányelvek minden releváns előírásának, ill. az alábbi harmonizált normatív dokumentumoknak megfelel:

EN 60745-1:2009 + A11:2010

EN 60745-2-11:2010

EN 55014-1:2006 + A1:2009 + A2:2011

EN 61000-4-2:2009

EN 55014-2:1997 + A1:2001 + A2:2008

EN 50581:2012

Winnenden, 2016-05-24



Alexander Krug
Managing Director



Műszaki dokumentáció összeállításra felhatalmazva

Techtronic Industries GmbH

Max-Eyth-Straße 10

71364 Winnenden

Germany

AKKUK

A hosszabb ideig üzemben kívül lévő akkumulátort használat előtt ismételtelen fel kell tölteni.

50°C feletti hőmérsékletnél csökkenhet az akkumulátor teljesítménye. Kerülni kell a túlzottan meleg helyen vagy napon történő hosszabb idejű tárolást.

A töltő és az akkumulátor csatlakozóit mindig tisztán kell tartani.

Az optimális élettartam érdekében használat után az akkukat teljesen fel kell tölteni.

A lehetőleg hosszú élettartamhoz az akkukat feltöltés után ki kell venni a töltőkészülékből.

Az akku 30 napot meghaladó tárolása esetén:

Az akkut kb. 27 °C-on, száraz helyen kell tárolni.

Az akkut kb. 30-50%-os töltöttségi állapotban kell tárolni.

Az akkut 6 havonta újra fel kell tölteni.

KARBANTARTÁS

A készülék szellőzőnyílásait mindig tisztán kell tartani.

Javításhoz, karbantartáshoz kizárólag Milwaukee alkatrészeket és tartozékokat szabad használni. A készülék azon részeinek cseréjét, amit a kezelési útmutató nem engedélyez, kizárólag a javításra feljogosított márkaszervíz végezheti. (Lásd a szervízlistát)

Szükség esetén a készülékek robbantott ábráját - a készülék típusa és azonosító száma alapján a területeleg

illetékes Milwaukee márkaszerviztől vagy közvetlenül a gyártótól (Techtronic Industries GmbH, Max-Eyth-Straße 10, 71364 Winnenden, Germany) lehet kérni.

SZIMBÓLUMOK



FIGYELEM! FIGYELMEZTETÉS! VESZÉLY!



Karbantartás, javítás, tisztítás, stb. előtt az akkumulátort ki kell venni a készülékből.



Kérjük alaposan olvassa el a tájékoztatót mielőtt a gépet használja.



Hordjon védőkesztyűt!



Hallásvédő eszköz használata ajánlott!



Azokat a tartozékokat, amelyek gyárilag nincsenek a készülékhez mellékelve, külön lehet megrendelni.



Az elektromos eszközöket nem szabad a háztartási hulladékkal együtt ártalmatlanítani. Az elektromos és elektronikus eszközöket szelektíven kell gyűjteni, és azokat környezetbarát ártalmatlanítás céljából hulladékhasznosító üzemben kell leadni. A helyi hatóságoknál vagy szakkereskedőjénél tájékoztadjon a hulladékudvarokról és gyűjtőhelyekről.



CE-jelölés



Ukrán nemzeti megfelelőségi jelölés



EurAsian Conformity Mark.

TEHNIČNI PODATKI	BATERIJSKE VBODNE ŽAGE	M18 BJS
Proizvodna številka.....	4568 60 01...000001-999999
Napetost izmenljivega akumulatorja.....	18 V	
Število dvigov v prostem teku.....	0-2800 min ⁻¹ (+/- 10%)	
Višina dviga.....	26 mm	
Poševni rezi do.....	45°	
Globina reza maks. v:		
Les.....	55 mm	
Aluminij.....	10 mm	
Teža po EPTA-proceduri 01/2003 (4,0 Ah).....	3,3 kg	

Informacije o hrupnosti/vibracijah

Vrednosti merjenja ugotovljene ustrezno z EN 60 745.

Raven hrupnosti naprave ovrednotena z A, znaša tipično:

Nivo zvočnega tlaka (Nevarnost K=3dB(A))..... 85 dB (A)

Višina zvočnega tlaka (Nevarnost K=3dB(A))..... 96 dB (A)

Nosite zaščito za sluh!

Skupna vibracijska vrednost (Vektorska vsota treh smeri)

določena ustrezno EN 60745.

Žaganje lesa

Vibracijska vrednost emisij a_h..... 6,41 m/s²

Nevarnost K=..... 1,5 m/s²

Žaganje pločevine iz kovin

Vibracijska vrednost emisij a_h..... 4,53 m/s²

Nevarnost K=..... 1,5 m/s²

OPOZORILO

V teh navodilih navedena raven tresljev je bila izmerjena po EN60745 normirano merilnem postopku in lahko služi medsebojni primerjavi električnih orodij. Prav tako je primeren za predhodno oceno obremenitve s treslji.

Navedena raven tresljev navaja najpomembnejše vrste rabe električnega orodja. Kadar se električno orodje uporablja za drugačne namene, z odstopajočimi orodji ali pa z nezadostnim vzdrževanjem, lahko raven tresljev tudi odstopa. Le to lahko čez celoten delovni čas znatno zviša obremenitev s tresenjem.

Za natančno oceno obremenitve s treslji naj bi se upošteval tudi čas v katerem je naprava izklopljena ali sicer teče, vendar dejansko ni v rabi. Le to lahko obremenitev s treslji čez celoten delovni čas znatno zmanjša.

Za zaščito upravljalca pred učinkom tresljev uvedite dodatne zaščitne ukrepe npr.: Vzdrževanje električnega orodja in orodja, delo s toplimi rokami, organizacija delovnih potekov.

⚠ OPOZORILO! Preberite vsa varnostna opozorila in navodila. Napake zaradi neupoštevanja spodaj navedenih opozoril in napotil lahko povzročijo električni udar, požar in/ali težke telesne poškodbe.

Vsa opozorila in napotila shranite, ker jih boste v prihodnje še potrebovali.

⚠ VARNOSTNA OPOZORILO ZA VBODNE ŽAGE

Nosite zaščito za sluh. Razvijanje hrupa lahko povzroči izgubo sluha.

Kadar izvajate dela pri katerih lahko orodje zadane prikrito električno napeljavo, je napravo potrebno držati za izolirane prijemalne površine.

Stik z električnim vodnikom, ki je pod napetostjo, povzroči napetost tudi v kovinskih delih naprave, kar ima za posledico električni udar.

NADALJNA VARNOSTNA IN DELOVNA OPOZORILO

Uporabite zaščitno opremo. Pri delu s strojem vedno nosite zaščitna očala. Priporočajo se zaščitna oblačila, kot npr. maska za zaščito proti prahu, zaščitne rokavice, trdno in nedrseče obuvanje, čelada in zaščita za sluh.

Prah, ki nastaja pri delu, je pogosto zdravju škodljiv in naj ne zaide v telo. Nosite ustrezno masko proti prahu.

Obdelava materialov, iz katerih izhaja ogroženost zdravja (npr. azbest), ni dovoljena.

V primeru blokade orodja napravo takoj izklopite! Naprave ponovno ne vklopljajte dokler je orodje blokirano; pri tem bi lahko prišlo do povratnega udara z velikim reakcijskim momentom. Ugotovite in odpravite vzroke blokade orodja ob upoštevanju varnostnih navodil.

Možni razlogi so lahko:

- Zagozditev v obdelovancu
- prežganje obdelovanega materiala
- Preobremenitev električnega orodja

Ne segajte v stroj v teku.

Orodje lahko med uporabo postane vroče.

OPOZORILO! Nevarnost opeklin

- pri menjavi orodja
- pri odlaganju naprave

Trske ali iveri se pri tekočem stroju ne smejo odstranjevati.

Pri delih na steni, stropu ali v tleh pazite na električne kable, plinske in vodne napeljave.

Obdelovanec zavarujte z vpenjalno pripravo. Nezavarovani obdelovanci lahko povzročijo težke poškodbe in okvare.

Napokani listi žage in taki, ki so spremenili svojo obliko, se ne smejo uporabljati!

Potopno žaganje je možno samo v mehkih materialih (les, lahki gradbeni material za stene), pri trših materialih (kovine) se mora pripraviti vrtna, ki odgovarja listu žage.

Pred vsemi deli na stroji odstranite izmenljivi akumulator.

Izrabljenih izmenljivih akumulatorjev ne mečite v ogenj ali v gospodinjne odpadke. Milwaukee nudi okolju prijazno odlaganje starih izmenljivih akumulatorjev; prosimo povprašajte vašega strokovnega trgovca.

Izmenljivih akumulatorjev ne hranite skupaj s kovinskimi predmeti (nevarnost kratkega stika).

V odprtino za nameščanje izmenljivih akumulatorjev na polnilnih aparatih ne smejo zaiti nikakršni kovinski deli (nevarnost kratkega stika).

Izmenljive akumulatorje sistema M18 polnite samo s polnilnimi aparati sistema M18. Ne polnite nobenih akumulatorjev iz drugih sistemov.

Izmenljivih akumulatorjev in polnilnih aparatov ne odpirajte in jih hranite samo v suhih prostorih. Zaščitite jih pred mokroto.

Pod ekstremno obremenitvijo ali ob ekstremni temperaturi iz poškodovanega izmenljivega akumulatorja lahko izteka akumulatorska tekočina. Po stiku z akumulatorsko tekočino prizadeto mesto takoj izperite z vodo in milom. Po stiku z očmi takoj najmanj 10 minut dolgo temeljito izpirajte in nemudoma obiščite zdravnika.

UPORABA V SKLADU Z NAMEMBNOSTJO

Žaga luknjarica žaga les, umetno maso in kovino. Reže naravnost, zajere, zavoje in notranje izreze.

Ta naprava se sme uporabiti samo v skladu z namembnostjo uporabiti samo za navede namene.

CE-IZJAVA O KONFORMNOSTI

V lastni odgovornosti izjavljamo, da se pod "Tehnični podatki" opisan proizvod ujema z vsemi relevantnimi predpisi smernice 2011/65/EU (RoHS), 2014/30/EU, 2006/42/ES in s sledečimi harmoniziranimi normativnimi dokumenti:

EN 60745-1:2009 + A11:2010

EN 60745-2-11:2010

EN 55014-1:2006 + A1:2009 + A2:2011

EN 61000-4-2:2009

EN 55014-2:1997 + A1:2001 + A2:2008

EN 50581:2012

Winnenden, 2016-05-24

Alexander Krug

Alexander Krug
Managing Director



Pooblaščen za izdelavo spisov tehnične dokumentacije.

Techtronic Industries GmbH

Max-Eyth-Straße 10

71364 Winnenden

Germany

AKUMULATORJI

Izmenljive akumulatorje, ki jih daljši čas niste uporabljali, pred uporabo naknadno napolnite.

Temperatura nad 50°C zmanjšuje zmogljivost izmenljivega akumulatorja. Izogibajte se daljšemu segrevanju zaradi sončnih žarkov ali gretja.

Pazite, da ostanejo priključni kontakti na polnilnem aparatu in izmenljivem akumulatorju čisti.

za optimalno življenjsko dobo je potrebno akumulatorje po uporabi do konca napolniti.

Za čim daljšo življenjsko dobo naj se akumulatorji po napolnitvi vzamejo ven iz naprave za polnjenje.

Pri skladiščenju akumulatorjev dalj kot 30 dni:

Akumulator skladiščiti pri 27°C in na suhem.

Akumulator skladiščiti pri 30%-50% stanja polnjenja.

Akumulator spet napolniti vsakih 6 mesecev.

VZDRŽEVANJE

Pazite na to, da so prezračevalne reže stroja vedno čiste.

Uporabljajte samo Milwaukee pribor in nadomestne dele. Poskrbite, da sestavne dele, katerih zamenjava ni opisana, zamenjajo v Milwaukee servisni službi (upoštevajte brošuro Garancija/Naslovi servisnih služb).

Po potrebi se lahko pri vaši servisni službi ali direktno pri Techtronic Industries GmbH naroči eksplozijska risba naprave ob navedbi tipa stroja in številke s tipske ploščice Techtronic Industries GmbH, Max-Eyth-Straße 10, 71364 Winnenden, Germany.

SIMBOLI



POZOR! OPOZORILO! NEVARNO!



Pred vsemi deli na stroji odstranite izmenljivi akumulator.



Prosimo, da pred uporabo pozorno preberete to navodilo za uporabo.



Nositi zaščitne rokavice



Nosite zaščito za sluh!



Oprema – ni vsebovana v obsegu dobave, priporočeno dopolnilo iz programa opreme.



Električnih naprav ni dovoljeno odstranjevati skupaj z gospodinjstvi odpadki. Električne in elektronske naprave je potrebno zbirati ločeno in za okolju prijazno odstranitev, oddati podjetju za reciklažo. Pri krajevnem uradu ali vašem strokovnem prodajalcu se pozanimajte glede reciklažnih dvorišč in zbirnih mest.



CE-znak



Nacionalna oznaka skladnosti Ukrajina



EurAsian Conformity Mark.

TEHNIČKI PODACI	AKUMULATORSKA UBODNA PILA	M18 BJS
Broj proizvodnje.....	4568 60 01...	...000001-999999
Napon baterije za zamjenu.....	18 V	
Broj hodova praznog hoda.....	0-2800 min ⁻¹ (+/- 10%)	
Visina hoda.....	26 mm	
Kosi rezovi do.....	45°	
Dubina rezanja max. u:		
Drvo.....	55 mm	
Aluminij.....	10 mm	
Težina po EPTA-proceduri 01/2003 (4,0 Ah).....	3,3 kg	

Informacije o buci/vibracijama

Mjerne vrijednosti utvrđene odgovarajuće EN 60 745.

A-ocijenjeni nivo buke aparata iznosi tipično:

Nivo pritiska zvuka (Nesigurnost K=3dB(A))..... 85 dB (A)

Nivo učinka zvuka (Nesigurnost K=3dB(A))..... 96 dB (A)

Nositi zaštitu sluha!

Ukupne vrijednosti vibracije (Vektor suma tri smjera) su

odmjerene odgovarajuće EN 60745

Rezanje drva pilom

Vrijednost emisije vibracije a_h..... 6,41 m/s²

Nesigurnost K=..... 1,5 m/s²

Rezanje metalnog lima

Vrijednost emisije vibracije a_h..... 4,53 m/s²

Nesigurnost K=..... 1,5 m/s²

OPOZORIO!

V teh navodilih navedena raven treslajev je bila izmjerena po EN60745 normiranim merilnem postopku in lahko služi medsebojni primerjavi električnih orodij. Prav tako je primeren za predhodno oceno obremenitve s treslaji.

Navedena raven treslajev navaja najpomembnejše vrste rabe električnega orodja. Kadar se električno orodje uporablja za drugačne namene, z odstopajočimi orodji ali pa z nezadostnim vzdrževanjem, lahko raven treslajev tudi odstopa. Le to lahko čez celoten delovni čas znatno zviša obremenitev s tresenjem.

Za natančno oceno obremenitve s treslaji naj bi se upošteval tudi čas v katerem je naprava izklopljena ali sicer teče, vendar dejansko ni v rabi. Le to lahko obremenitev s treslaji čez celoten delovni čas znatno zmanjša.

Za zaščito upravljalca pred učinkom treslajev uvedite dodatne zaščitne ukrepe npr.: Vzdrževanje električnega orodja in orodja, delo s toplimi rokami, organizacija delovnih potekov.

⚠ UPOZORENJE! Pročitajte molimo sve sigurnosna upozorenja i upute. Ako se ne bi poštivala napomene o sigurnosti i upute to bi moglo uzrokovati strujni udar, požar i/ili teške ozljede.

Sačuvajte sve napomene o sigurnosti i upute za buduću primjenu.

⚠ SIGURNOSNE UPUTE ZA UBODNE PILE

Nosite zaštitu za sluh. Djelovanje buke može dovesti do gubitka sluha.

Držite spravu na izoliranim držačkim površinama kada izvodite radove kod kojih rezački alat može pogoditi skrivene vodove struje. Kontaktom s vodovima pod naponom, pod napon će se staviti i metalni dijelovi uređaja, što može dovesti do električnog udara.

OSTALE SIGURNOSNE I RADNE UPUTE

Upotrebljavati zaštitnu opremu. Kod radova sa strojem uvijek nositi zaštitne naočale. Preporučuje se zaštitna odjeća, kao zaštitna maska protiv prašine, zaštitne rukavice, čvrste i protiv klizanja sigurne cipele, šljem i zaštitu sluha.

Prašina koja nastaje prilikom rada je često nezdrava i ne bi smijela dospjeti u tijelo. Nositi prikladnu zaštitnu masku protiv prašine.

Ne smiju se obrađivati nikakvni materijali, od kojih prijete opasnost po zdravlje (npr. azbest).

Kod blokiranja alata koji se upotrebljava uređaj molimo odmah isključiti! Uređaj nemojte ponovno uključiti za vrijeme dok je alat koji se upotrebljava blokiran; time može doći do povratnog udara sa visokim reakcijskim momentom.

Pronađite i otklonite uzrok blokiranja alata koji se upotrebljava uz poštivanje sigurnosnih uputa.

Mogući uzroci tome mogu biti:

- Izobličavanje u izratku koji se obrađuje
- Probijanje materijala koji se obrađuje
- Preopterećenje električnog alata

Nemojte sezati u stroj koji radi.

Upotrebljeni alat se može za vrijeme korištenja zagrijati.

UPOZORENIE! Opasnost od opekotina

- kod promjene alata
- kod odlaganja uređaja

Piljevina ili ieverje se za vrijeme rada stroja ne smiju odstranjivati.

Kod radova na zidu, stropu ili podu paziti na električne kablove kao i vodove plina i vode.

Osigurajte vaš izradak jednim steznim uređenjem. Neosigurani izradci mogu prouzročiti teške povrede i oštećenja.

Listovi pile sa pukotinama, koji su promijenili oblik, se ne smiju upotrebljavati!

Piljenje uronjavanjem je moguće samo kod mekših materijala (drvo, lagani građevni materijal za zidove), kod tvrdih materijala (metali) se mora nadodati za list pile odgovarajuće veliko bušenje.

Prije svih radova na stroju izvoditi bateriju za zamjenu.

Istrošene baterije za zamjenu ne bacati u vatru ili u kućno smeće. Milwaukee nudi mogućnost uklanjanja starih baterija odgovarajuće okolini. Milwaukee nudi mogućnost uklanjanja starih baterija odgovarajuće okolini; upitajte molimo Vašeg stručnog trgovca.

Baterije za zamjenu ne čuvati skupa sa metalnim predmetima (opasnost od kratkog spoja).

U prostor za punjenje baterija u uređaju za punjenje ne smiju dospjeti metalni dijelovi (opasnost od kratkog spoja).

Baterije sistema M18 puniti samo sa uređajem za punjenje sistema M18. Ne puniti baterije iz drugih sistema.

Baterije za zamjenu i uređaje za punjenje ne otvarati i čuvati ih samo u suhim prostorijama. Čuvati protiv vlage.

Pod ekstremnim opterećenjem ili ekstremne temperature može iz oštećenih baterija iscuriti baterijska tekućina. Kod dodira sa baterijskom tekućinom odmah isprati sa vodom i sapunom. Kod kontakta sa očima odmah najmanje 10 minuta temeljno ispirati i odmah potražiti liječnika.

PROPISNA UPOTREBA

Uboдна pila pili drvo, plastiku i metal. Ona reže ravnine, zakošenja, krivine i unutrašnje isječke.

Ovaj aparat se smije upotrijebiti samo u određene svrhe kao što je navedeno.

CE-IZJAVA KONFORMNOSTI

Izjavljujemo na osobnu odgovornost, da je proizvod opisan pod "Tehnički podaci", sukladan sa svim relevantnim propisima smjernice 2011/65/EU (RoHS), 2014/30/EU, 2006/42/EC i sa slijedećim harmoniziranim normativnim dokumentima:

EN 60745-1:2009 + A11:2010

EN 60745-2-11:2010

EN 55014-1:2006 + A1:2009 + A2:2011

EN 61000-4-2:2009

EN 55014-2:1997 + A1:2001 + A2:2008

EN 50581:2012

Winnenden, 2016-05-24

Alexander Krug

Alexander Krug
Managing Director



Ovlašten za formiranje tehničke dokumentacije.

Techtronic Industries GmbH

Max-Eyth-Straße 10

71364 Winnenden

Germany

BATERIJE

Baterije koje duže vremena nisu korištene, prije upotrebe napuniti.

Temperatura od preko 50°C smanjuje učinak baterija. Duže zagrijavanje od strane sunca ili grijanja izbjeći.

Priključne kontakte na uređaju za punjenje i baterijama držati čistima.

Za optimalni vijek trajanja se akumulatori poslije upotrebe moraju sasvim napuniti.

Za što moguće duži vijek trajanja, akumulatori se nakon punjenja moraju odstraniti iz punjača.

Kod skladištenja akumulatora duže od 30 dana:

Akumulator skladištiti na suhom kod ca. 27°C.

Akumulator skladištiti kod ca. 30%-50% stanja punjenja.

Akumulator ponovno napuniti svakih 6 mjeseci.

ODRŽAVANJE

Prereze za prozračivanje stroja uvijek držati čistima.

Primijeniti samo Milwaukee opremu i rezervne dijelove.

Sastavne dijelove, čija zamjena nije opisana, dati zamijeniti kod jedne od Milwaukee servisnih službi (poštivati brošuru Garancija/Adrese servisa).

Po potrebi se može zatražiti crtež eksplozije aparata uz davanje podataka o tipu stroja i desetoznamenastog broja na pločici snage kod Vaše servisne službe ili direktno kod Techtronic Industries GmbH, Max-Eyth-Straße 10, 71364 Winnenden, Germany.

SIMBOLI



PAŽNJA! UPOZORENIE! OPASNOST!



Prije svih radova na stroju izvoditi bateriju za zamjenu.



Molimo da pažljivo pročitate uputu o upotrebi prije puštanja u rad.



Nositi zaštitne rukavice!



Nositi zaštitu sluha!



Oprema - u opsegu isporuke nije sadržana, preporučena dopuna iz promograma opreme.



Električni uređaji se ne smiju zbrinjavati skupa sa kućnim smećem. Električni uređaji se moraju skupljati odvojeno i predati na zbrinjavanje primjereno okolišu jednom od pogona za iskorišćavanje. Raspitajte se kod mjesnih vlasti ili kod stručnog trgovca u svezi gospodarstva za recikliranje i mjesta skupljanja.



Oznaka-CE



Nacionalni znak konformnosti Ukrajina



EurAsian Conformity Mark.

TEHNISKIE DATI	AKUMULATORA FINIERZĀĢĪTIS	M18 BJS
Izlaides numurs	4568 60 01...	...000001-999999
Akumulātorā spriegums.....	18 V	
Tukšgaitas gājienu skaits	0-2800 min ⁻¹ (+/- 10%)	
Gājienu augstums.....	26 mm	
Sasvērta zāģēšana līdz	45°	
maks. griezuma dziļums (mērv.):		
Koks.....	55 mm	
Alumīnijs	10 mm	
Svars atbilstoši EPTA -Procedure 01/2003 (4,0 Ah).....	3,3 kg	

Trokšņu un vibrāciju informācija

Vērtības, kas noteiktas saskaņā ar EN 60 745.

A novērtētās aparatūras skaņas līmenis ir:

Trokšņa spiediena līmenis (Nedrošība K=3dB(A))..... 85 dB (A)

Trokšņa jaudas līmenis (Nedrošība K=3dB(A))..... 96 dB (A)

Nēsāt trokšņa slāpētāju!

Svārstību kopējā vērtība (Trīs virzienu vektoru summa) tiek

noteikta atbilstoši EN 60745.

Koka zāģis

 svārstību emisijas vērtība a_h.....6,41 m/s²

 Nedrošība K=.....1,5 m/s²

Metāla un skārda zāģis

 svārstību emisijas vērtība a_h.....4,53 m/s²

 Nedrošība K=.....1,5 m/s²

UZMANĪBU

Instrukcijā norādītā svārstību robežvērtība ir izmērīta mērījumu procesā, kas veikts atbilstoši standartam EN 60745, un to var izmantot elektroinstrumentu savstarpējai salīdzināšanai. Tā ir piemērota arī svārstību noslogojuma pagaidu izvērtēšanai.

Norādītā svārstību robežvērtība ir reprezentatīva elektroinstrumenta pamata pielietojuma jomām. Tomēr, ja elektroinstrumenti tiek pielietoti citās jomās, papildus izmantojot neatbilstošus elektroinstrumentus vai pēc nepietiekamas tehniskās apkopes, tad svārstību robežvērtība var atšķirties. Tas var ievērojami palielināt svārstību noslogojumu visa darba laikā.

Precīzai svārstību noslogojuma noteikšanai, ir jāņem vērā arī laiks, kad ierīces ir izslēgta vai arī ir ieslēgta, tomēr faktiski netiek lietota. Tas var ievērojami samazināt svārstību noslogojumu visa darba laikā.

Integrējiet papildus drošības pasākumus pret svārstību ietekmi lietotājam, piemēram: elektroinstrumentu un darba instrumentu tehniskā apkope, roku siltuma uzturēšana, darba procesu organizācija.

▲ BRĪDINĀJUMS! Izlasiet visus drošības brīdinājumus un instrukcijas. Seit sniegto drošības noteikumu un norādījumu neievērošana var izraisīt aizdegšanos un būt par cēloni elektriskajam triecienam vai nopietnam savainojumam. **Pēc izlasīšanas uzglabājiet šos noteikumus turpmākai izmantošanai.**

▲ FIGURZĀGA DROŠĪBAS NORĀDES

Nēsājiet ausu aizsargus. Trokšņa iedarbības rezultātā var rasties dzirdes traucējumi.

Leļīci turiet aiz izolētiem rokturiem, ja veicat darbus, kuros griešanas darbiem izmantojamais instruments var skart paslēptus elektrovadus. Asmenim saskaroties ar vadiem, kuriem tiek pievadīts fāzes spriegums, šis spriegums nonāk arī uz instrumenta korpusa strāvu vadošajām daļām un var izraisīt elektrisko triecienu.

CITAS DROŠĪBAS UN DARBA INSTRUKCIJAS

Jāizmanto aizsargaprīkojums. Strādājot ar mašīnu, vienmēr jānēsā aizsargbrilles. Ieteicams nēsāt aizsargapģērbu, kā piemēram, aizsargmasku, aizsargcimdus, kurpes no stingra un neslīdīga materiāla, ķiveri un ausu aizsargus.

Putekļi, kas rodas darba gaitā, bieži ir kaitīgi veselībai un tiem nevajadzētu nokļūt organismā. Jānēsā piemērota maska, kas pasargā no putekļiem.

Nedrīkst apstrādāt materiālus, kas rada draudus veselībai (piemēram, azbestu).

Ja izmantojamais darba rīks tiek bloķēts, nekavējoties izslēgt ierīci! Neieslēdziet ierīci, kamēr izmantojamais darba rīks ir bloķēts; var rasties atsitieni ar augstu griezes

momentu. Noskaidrojiet un novērsiet izmantojamā darba rīka bloķēšanas iemeslu, ievērojot visas drošības norādes.

Iespējamie iemesli:

- iesprūdis apstrādājamajā materiālā
- apstrādājamais materiāls ir caurists
- elektroinstrumenti ir pārslogoti

I+AA2eslēgtai ierīcei nepieskarties.

Izmantojamais darba rīks darba gaitā var stipri sakarst. **UZMANĪBU!** Bīstamība apdedzināties

- veicot darba rīka nomaiņu
- noliekot iekārtu

Skaidas un atlūzas nedrīkst ņemt ārā, kamēr mašīna darbojas.

Veicot darbus sienu, griestu un grīdas apvidū, vajag uzmanīties, lai nesabojātu elektriskos, gāzes un ūdens vadus.

Fiksējiet apstrādājamo materiālu ar fiksācijas aprīkojumu. Nenostiprināti materiāli var izraisīt smagus savainojumus un bojājumus.

Saplaisājušas zāģu ripas un tādas, kas ir izmainījušas savu formu, nedrīkst izmantot.

Iegremdējamās zāģus drīkst izmantot tikai mīkstu materiālu apstrādei (koks, viegļie būvmateriāli sienām), cietākos materiālos iepriekš jāveic zāģa ripas izmēram atbilstošs urbums.

Pirms mašīnai veikt jebkāda veida apkopes darbus, ir jāizņem ārā akumulātors.

Izmantotos akumulārus nedrīkst mest ugunī vai parastajos atkritumos. Firma Milwaukee piedāvā iespēju vecos

akumulātorus savākt apkārtējo vidi saudzējošā veidā; jautājiet specializētā veikalā.

Akumulātorus nav ieteicams glabāt kopā ar metāla priekšmetiem (iespējams īsslēgums).

Jāuzmanās, lai akumulātoru lādētājā nenokļūtu nekādi metāla priekšmeti (iespējams īsslēgums).

M18 sistēmas akumulātorus lādēt tikai ar M18 sistēmas lādētājiem. Nedrīkst lādēt citus akumulātorus no citām sistēmām.

Akumulātorus un lādētājus nedrīkst taisīt vaļā un tie jāuzglabā sausās telpās.

Pie ārkārtas slodzes un ārkārtas temperatūrām no bojātā akumulātorā var izteciēt akumulātorā šķidrums. Ja nonākat saskarsmē ar akumulātorā šķidrumu, saskarsmes vieta nekavējoties jānomazgā ar ūdeni un ziepēm. Ja šķidrums nonācis acīs, acis vismaz 10 min. skalot un nekavējoties konsultēties ar ārstu.

NOTEIKUMIEM ATBILSTOŠS IZMANTOJUMS

Ar svārstu zāģi var zāģēt koku, plastmasu un metālu. Ar to var veikt taisnos zāģējumus, kā arī sasvērto, slīpo un kombinēto zāģēšanu.

Šo instrumentu drīkst izmantot tikai saskaņā ar minētajiem lietošanas noteikumiem.

ATBILSTĪBA CE NORMĀM

Mēs apliecinām, ka produkts, kura tehniskie parametri aprakstīti "tehnisko datu lapā", pilnībā atbilst prasībām saskaņā ar direktīvām 2011/65/EU (RoHS), 2014/30/ES, 2006/42/EK un attiecīgajiem harmonizētajiem normatīvajiem dokumentiem:

EN 60745-1:2009 + A11:2010

EN 60745-2-11:2010

EN 55014-1:2006 + A1:2009 + A2:2011

EN 61000-4-2:2009

EN 55014-2:1997 + A1:2001 + A2:2008

EN 50581:2012

Winnenden, 2016-05-24

Alexander Krug

Alexander Krug
Managing Director



Pilnvarotais tehniskās dokumentācijas sastādītājs.

Techtronic Industries GmbH

Max-Eyth-Straße 10

71364 Winnenden

Germany

AKUMULĀTORI

Akumulātori, kas ilgāku laiku nav izmantoti, pirms lietošanas jāuzlādē.

Pie temperatūras, kas pārsniedz 50°C, akumulātoru darbība tiek negatīvi ietekmēta. Vajag izvairīties no ilgākas saules un karstuma iedarbības.

Lādētāja un akumulātoru pievienojuma kontakti jāuztur tīri.

Lai baterijas darba ilgums būtu optimāls, pēc iekārtas izmantošanas tā jāuzlādē.

Lai akumulatori kalpotu pēc iespējas ilgāku laiku, tos pēc uzlādes ieteicams atvienot no lādētāj ierīces.

Akumulātoru uzglabāšana ilgāk kā 30 dienas: uzglabāt akumulatoru pie aptuveni 27° C un sausā vietā. Uzglabāt akumulatoru uzlādes stāvoklī aptuveni pie 30%-50%.

Uzlādēt akumulatoru visus 6 mēnešus no jauna.

APKOPE

Vajag vienmēr uzmanīties, lai būtu tīras dzesēšanas atveres.

Izmantojiet tikai firmu Milwaukee piederumus un firmas rezerves daļas. Lieciet nomainīt detaļas, kuru nomaiņa nav aprakstīta, kādā no firmu Milwaukee klientu apkalpošanas

servisiem. (Skat. brošūru "Garantija/klientu apkalpošanas serviss".)

Ja nepieciešams, klientu apkalpošanas servisā vai tieši pie firmas Techtronic Industries GmbH, Max-Eyth-Straße 10, 71364 Winnenden, Germany, var pieprasīt instrumenta numurs, kas norādīts uz jaudas paneļa.

SIMBOLI



UZMANĪBU! BĪSTAMI!



Pirms mašīnai veikt jebkāda veida apkopes darbus, ir jāizņem ārā akumulātors.



Pirms sākt lietot instrumentu, lūdzu, izlasiet lietošanas pamācību.



Jāvalkā aizsargcimdi!



Nēsāt trokšņa slāpētāju!



Piederumi - standartaprīkojumā neietvertās, bet ieteicamās papildus komplektācijas detaļas no piederumu programmas.



Elektroiekārtas nedrīkst izmest kopā ar sadzīves atkritumiem. Elektriskās un elektroniskās iekārtas ir jāsavāc atsevišķi un jānodod pārstrādes uzņēmumam, kas no tām atbrīvosies dabai draudzīgā veidā. Meklējiet otrreizējās pārstrādes poligonus un savākšanas punktus vietējās pārvaldes iestādēs vai pie preces pārdevēja.



CE marķējums



Ukrainas nacionālais atbilstības simbols.



EurAsian Conformity Mark.

TECHINIAI DUOMENYS	SIURAS PJUKLAS SU AKUMULIATORIUMI	M18 BJS
Produkto numeris	4568 60 01...	...000001-999999
Keičiamo akumulatoriaus įtampa	18 V	
Judesių skaičius laisva eiga	0-2800 min ⁻¹ (+/- 10%)	
Judesio aukštis	26 mm	
Istriži pjūviai iki	45°	
Maks. pjūvio gylis pjaunant:		
medieną	55 mm	
Aliuminis	10 mm	
Prietaiso svoris įvertintas pagal EPTA 2003/01 tyrimų metodiką(4,0 Ah)	3,3 kg	

Informacija apie triukšmą/vibraciją

Vertės matuotos pagal EN 60 745.

Įvertintas A įrenginio keliamo triukšmo lygis dažniausiai sudaro:

Garso slėgio lygis (Paklaida K=3dB(A))	85 dB (A)
Garso galios lygis (Paklaida K=3dB(A))	96 dB (A)

Nešioti klausos apsaugines priemones!

Bendroji svyravimų reikšmė (trijų krypčių vektorių suma), nustatyta remiantis EN 60745.

Medienos pjovimas

Vibravimų emisijos reikšmė a _h	6,41 m/s ²
Paklaida K=	1,5 m/s ²

Metalų skardos pjovimas

Vibravimų emisijos reikšmė a _h	4,53 m/s ²
Paklaida K=	1,5 m/s ²

DĖMESIO

Instrukcijoje nurodyta svyravimų ribinė vertė yra išmatuota remiantis standartu EN 60745; ji gali būti naudojama keliems elektriniams instrumentams palyginti. Ji taikoma ir laikinai įvertinti svyravimų apkrova.

Nurodyta svyravimų ribinė vertė yra taikoma pagrindinėse elektrinio instrumento naudojimo srityse. Svyravimų ribinė vertė gali skirtis naudojant elektrinį instrumentą kitose srityse, papildomai naudojant netinkamus elektrinius instrumentus arba juos nepakankamai techniškai prižiūrint. Dėl to viso darbo metu gali žymiai padidėti svyravimų apkrova.

Siekiant tiksliai nustatyti svyravimų apkrovą, būtina atsižvelgti ir į laikotarpį, kai įrenginys yra išjungtas arba įjungtas, tačiau faktiškai nenaudojamas. Dėl to viso darbo metu gali žymiai sumažėti svyravimų apkrova.

Siekiant apsaugoti vartotojus nuo svyravimo įtakos naudojamos papildomos saugos priemonės, pavyzdžiui, elektrinių darbo instrumentų techninė priežiūra, rankų šilumos palaikymas, darbo procesų organizavimas.

A ĮSPĖJIMAS! Perskaitykite visus saugos nurodymus ir instrukcijas. Jei nepaisysite žemiau pateiktų saugos nuorodų ir reikalavimų, gali trenkti elektros smūgis, kilti gaisras ir/arba galite sunkiai susižaloti arba sužaloti kitus asmenis.

Išsaugokite šias saugos nuorodas ir reikalavimus, kad ir ateityje galėtumėte jais pasinaudoti.

A SAURIAPJŪKLIO SAUGUMO NURODYMAI

Nešioti klausos apsaugos priemones. Triukšmo poveikyje galima netekti klausos.

Dirbdami laikykite prietaisą už izoliuotų vietų, kuriose pjovimo įrenginys pats galėtų liesti paslėptus laidus.

Dėl kontakto su laidininku, kuriuo teka elektros srovė, metalinėse prietaiso dalyse atsiranda atampa ir naudotojas gali gauti elektros smūgą.

KITI SAUGUMO IR DARBO NURODYMAI

Dėvėkite apsaugines priemones. Dirbdami su mašina visada užsidėkite apsauginius akinius. Rekomenduotina dėvėti apsaugines priemones: apsaugos nuo dulkių respiratorius, apsaugines pirštines, kietus batus neslidžiais padais, šalmą ir klausos apsaugos priemones.

Darbo metu susidaranti dulkės yra dažnai kenksmingos sveikatai ir todėl turėtų nepatekti į organizmą. Dėvėti tinkamą apsauginę kaukę nuo dulkių.

Negalima apdirbti medžiagų, dėl kurių galimi sveikatos pažeidimai (pvz., asbesto).

Blokuojant įstatomąjį įrankį būtina išjungti prietaisą! Neįjunkite prietaiso, kol įstatomas įrankis yra užblokuotas; galimas grįžtamasis smūgis su dideliu sukimo momentu.

Atsižvelgdami į saugumo nurodymus, nustatykite ir pašalinkite įstatomojo įrankio blokavimo priežastį.

Galimos priežastys:

- Susidariusios apdirbimo ruošinio briaunos
- Apdirbamos medžiagos pratrūkimas
- Elektros įrankio perkrova

Nekiškite rankų į veikiančią mašiną.

Naudojamas įstatomasis įrankis gali įkaisti. **DĖMESIO!** Pavojus nusidėginti

- keičiant įrankį
- padedant prietaisą

Draudžiama išiminti drožles ar nuopjovas, įrenginiui veikiant.

Dirbdami sienoje, lubose arba grindyse, atkreipkite dėmesį į elektros laidus, dujų ir vandens vamzdžius.

Ruošinį užfiksuokite įtempimo įrenginiu. Neužfiksuoti ruošiniai gali sunkiai sužaloti ir būti pažeidimų priežastimi.

Įtrūkusių arba pakitusios formos pjovimo diskus naudoti draudžiama!

Pjauti įleidimo metodu galima tik minkštos medžiagos (medienoje, lengvųjų konstrukcijų medžiagose sienoms). Pjaunant kietose medžiagose, reikia išgręžti pjovimo disko dydį atitinkantį gręžinį.

Prieš atlikdami bet kokius darbus įrenginyje, išimkite keičiamą akumuliatorių.

Sunaudotų keičiamų akumuliatorių nedeginkite ir nemeskite į buitines atliekas. „Milwaukee“ siūlo tausojančią aplinką sudėvėtų keičiamų akumuliatorių tvarkymą, apie tai prekybos atstovo.

Keičiamų akumuliatorių nelaikykite kartu su metaliniais daiktais (trumpojo jungimo pavojus).

Į įkroviklių keičiamiems akumuliatoriams įstatymui skirtą vamzdį turi nepatekti jokios metalinės dalys (trumpojo jungimo pavojus).

Keičiamus „M18“ sistemos akumuliatorius kraukite tik „M18“ sistemos įkrovikliais. Nekraukite kitų sistemų akumuliatorių.

Keičiamų akumuliatorių ir įkroviklių nelaikykite atvirai. Laikykite tik sausoje vietoje. Saugokite nuo drėgmės.

Ekstremalių apkrovų arba ekstremalios temperatūros poveikyje iš keičiamų akumuliatorių gali iškėsti akumulatoriaus skystis. Išsitempus akumulatoriaus skysčiui, tuoj pat nuplaukite vandeniu su muilu. Patekus į akis, tuoj pat ne trumpiau kaip 10 minučių gausiai skalaukite vandeniu ir tuoj pat kreipkitės į gydytoją.

NAUDOJIMAS PAGAL PASKIRTĮ

Siaurapjūklis pjauna medieną, plastiką ir metalą. Jis pjauna tieses, nuosklembas, kreives ir vidines išpjovas.

Šį prietaisą leidžiama naudoti tik pagal nurodytą paskirtį.

CE ATITIKTIES PAREIŠKIMAS

Remiantis bendrais atsakomybės reikalavimais pareiškiame, jog skyriuje "Techniniai duomenys" aprašytas produktas atitinka visus toliau pateiktų juridinių direktyvų reikalavimus: 2011/65/EU (RoHS), 2014/30/ES, 2006/42/EB ir kitus su jomis susijusius norminius dokumentus:

EN 60745-1:2009 + A11:2010
EN 60745-2-11:2010
EN 55014-1:2006 + A1:2009 + A2:2011
EN 61000-4-2:2009
EN 55014-2:1997 + A1:2001 + A2:2008
EN 50581:2012

Winnenden, 2016-05-24



Alexander Krug
Managing Director



Įgalios parengti techninius dokumentus.

Techtronic Industries GmbH
Max-Eyth-Straße 10
71364 Winnenden
Germany

AKUMULIATORIAI

Ilgesnį laiką nenaudotus keičiamus akumuliatorius prieš naudojimą įkraukite.

Aukštesnė nei 50°C temperatūra mažina keičiamų akumuliatorių galią. Venkite ilgesnio saulės ar šilumos šaltinių poveikio.

Įkroviklio ir keičiamo akumulatoriaus jungiamieji kontaktai visada turi būti švarūs.

Kad prietaisas kuo ilgiau veiktų, pasinaudoję juo, iki galo įkraukite akumuliatorius.

Siekiant užtikrinti kuo ilgesnį baterijos tarnavimo laiką, reikėtų ją po atlikto įkrovimo iškart išimti iš įkroviklio.

Bateriją laikant ilgiau nei 30 dienų, būtina atkreipti dėmesį į šias nuorodas: bateriją laikyti sausoje aplinkoje, esant apie 27 °C temperatūrai. Baterijos įkrovimo lygis turi būti nuo 30% iki 50%. Baterija pakartotinai turi būti įkraunama kas 6 mėnesius.



TECHINIS APTARNAVIMAS

Įrenginio vėdinimo angos visada turi būti švarios.

Naudokite tik Milwaukee priedus ir atsargines dalis. Dalis, kurių keitimas neaprašytas, leidžiama keisti tik Milwaukee klientų aptarnavimo skyriams (žr. garantiją/klientų aptarnavimo skyrių adresus brošiūroje).

Jei reikia, nurodant įrenginio tipą bei specifikacijų lentelėje esantį numerį, iš klientų aptarnavimo skyriaus arba tiesiai iš Techtronic Industries GmbH, Max-Eyth-Straße 10, 71364 Winnenden, Germany, galima užsisakyti prietaiso surinkimo brėžinius.

SIMBOLIAI

	DĖMESIO! ĮSPĖJIMAS! PAVOJUS!
	Prieš atlikdami bet kokius darbus įrenginyje, išimkite keičiamą akumuliatorių.
	Prieš pradėdami dirbti su prietaisu, atidžiai perskaitykite jo naudojimo instrukciją.
	Lietojiet aizsardzības cimdus!
	Nešioti klausos apsaugines priemones!
	Priedas – neįeina į tiekimo komplektaciją, rekomenduojamas papildymas iš priedų asortimento.
	Elektros prietaisų negalima išmesti kartu su buitinėmis atliekomis. Būtina rūšiuoti elektros ir elektroninius prietaisus ir atiduoti į atliekų perdirbimo centrą, kad jie būtų utilizuoti neteršiant aplinkos. Informacijos apie perdirbimo centrą ir atliekų surinkimo įstaigas teiraukitės vietos įstaigoje arba prekybininko.
	CE ženklas
	Nacionalinė atitikties žyma Ukrainoje
	EurAsian Conformity Mark.

TEHNILISED ANDMED JUHTMETA JÖHVSAAG M18 BJS

Tootmisnumber	4568 60 01...
.....	...000001-999999
Vahetatava aku pingeline	18 V
Käikude arv tühjooksul.....	0-2800 min ⁻¹ (+/- 10%)
Käigu kõrgus	26 mm
Kaldioiked kuni	45°
Lõikesügavus maks:	
Puit	55 mm
Alumiinium	10 mm
Kaal vastavalt EPTA-protseduurile 01/2003 (4,0 Ah)	3,3 kg

Müra/vibratsiooni andmed
 Mõõteväärtused on kindlaks tehtud vastavalt normile EN 60 745.
 Seadme tüüpiline hinnanguline (A) müratase:
 Helirõhutase (Määramatus K=3dB(A)) 85 dB (A)
 Helivõimsuse tase (Määramatus K=3dB(A)) 96 dB (A)

Kandke kaitseks kõrvaklappe!
 Vibratsiooni koguväärtus (kolme suuna vektorsumma) mõõdetud EN 60745 järgi.
 Puidu saagimine
 Vibratsiooni emissiooni väärtus a_h 6,41 m/s²
 Määramatus K= 1,5 m/s²
 Metallpleki saagimine
 Vibratsiooni emissiooni väärtus a_h 4,53 m/s²
 Määramatus K= 1,5 m/s²

TÄHELEPANU

Antud juhendis toodud võnketase on mõõdetud EN 60745 standardile vastava mõõtesüsteemiga ning seda võib kasutada erinevate elektriseadmete omavahelises võrdlemises. Antud näitaja sobib ka esmaseks võnkekoormuse hindamiseks.

Antud võnketase kehtib elektriseadme kasutamisel sihtotstarbeliselt. Kui elektriseadet kasutatakse muudel otstarvetel, muude tööriistadega või seda ei hooldata piisavalt võib võnketase siintoodust erineda. Eeltoodu võib võnketaset märkimisväärselt tõsta terves töökeskkonnas.

Võnketaseme täpseks hindamiseks tuleks arvestada ka Milwaukeea, mil seade on välja lülitatud või on küll sisse lülitatud, kuid ei ole otseselt kasutusel. See võib märgatavalt vähendada kogu töökeskkonna võnketaset.

Rakendage spetsiaalseid ettevaatusabinõusid töötajate suhtes, kes puutuvad töö käigus palju kokku vibratsiooniga. Nendeks abinõudeks võivad olla, näiteks: elektri- ja tööseadmete korraline hooldus, käte soojendamine, töövoo parem organiseerimine.

⚠ HOIATUS! Lugege kõiki ohutusjuhiseid ja korraldusi. Ohutusnõuete ja juhiste eiramise tagajärjeks võib olla elektrilöök, tulekahju ja/või raske vigastused.
Hoidke kõik ohutusnõuded ja juhised edasiseks kasutamiseks hoolikalt alles.

⚠ TIKKSAAGIDE OHUTUSJUHISED

Kandke kaitseks kõrvaklappe. Müra mõju võib kutsuda esile kuulmise kaotuse.

Tööde puhul, kas lõikeseade võib minna vastu peidetud elektrijuhtmeid, hoidke kinni seadme isoleeritud käepidemetest. Kokkupuude pingele alla oleva juhtmehaga võib seada seadme enda metallosad pingele alla ja põhjustada elektrilöögi.

EDASISED OHUTUS- JA TÖÖJUHISED

Kasutada kaitsevarustust. Masinaga töötamisel kanda alati kaitseprille. Kaitseriietusena soovitatakse kasutada tolmu- ja kaitsemaski kaitsekindaid, kinniseid ja libisemisvastase tallaga jalanõusid, kiivrit ja kuulmisteede kaitset.

Töö ajal tekkiv tolm on sageli tervistkahjustav ning ei tohiks sattuda organismi. Kanda sobivat kaitsemaski.

Töödelda ei tohi materjale, millest lähtub oht tervisele (nt asbest).

Palun lülitage seade rakendustööriista blokeerumise korral kohe välja! Ärge lülitage seadet sisse tagasi, kuni rakendustööriist on blokeeritud; seejuures võib kõrge reaktsioonimomendiga tagasilöökk tekkida. Tehke ohutusjuhiseid arvesse võttes kindlaks ja kõrvaldage rakendustööriista blokeerumise põhjus.

Selle võimalikeks põhjusteks võivad olla:

- viltu asetumine töödeldavas toorikus
 - töödeldava materjali läbimurdamine
 - elektritööriista ülekoormamine
- Ärge sisestage jäsemeid töötavasse masinasse.
 Rakendustööriist võib kasutamise ajal kuumaks minna.
TÄHELEPANU! Põletusohu

- tööriista vahetamisel
- seadme ärarapanelisel

Puru ega pilpaid ei tohi eemaldada masina töötamise ajal. Seina, lae või põranda tööde puhul pidage silmas elektrijuhtmeid, gaasi- ja veetorusid.

Kinnitage toorik kinnipingutusseadisega. Kinnitamata toorikud võivad raskeid vigastusi ja kahjustusi põhjustada. Mõranenud ning deformeerunud saelehti ei tohi kasutada! Sukeldumise saagimine on võimalik ainult pehmemate materjalide puhul (puu, kerged seinamaterjalid), kõvemate materjalide (metallide) puhul tuleb saagimiseks puurida saelehe suuruslele vastav auk.

Enne kõiki töid masina kallal võtke vahetatav aku välja. Ärge visake tarvitatud vahetatavaid akusid tulle ega olmeprügisse. Milwaukee pakub vanade akude keskkonnahoidlikku käitlust; palun küsige oma erialaselt tarnijalt.

Ärge säilitage vahetatavaid akusid koos metallsemetega (lühiseohu).

Laadijal oleval vahetatava aku ühenduskambrisse ei tohi sattuda metalloosi (lühiseohu).

Laadige süsteemi M18 vahetatavaid akusid ainult süsteemi M18 laadijatega. Ärge laadige nendega teiste süsteemide akusid.

Ärge avage vahetatavaid akusid ega laadijaid ning ladustage neid ainult kuivades ruumides. Kaitske niiskuse eest.

Äärmuslikul koormusel või äärmuslikul temperatuuril võib kahjustatud vahetatavast akust akvedelik välja voolata. Akuedelikuga kokkupuutumise korral peske kohe vee ja seebiga. Silma sattumise korral loputage kiiresti põhjalikult vähemalt 10 minutit ning pöörduge viivitamatult arsti poole.

KASUTAMINE VASTAVALT OTSTARBELE

Tikka saag puidu, plasti ja metalli lõikamiseks. Sobib sirg-, kald-, kurv- ning väljalõigeteks.
 Antud seadet tohib kasutada ainult vastavalt äranäidatud otstarbele.

EÜ VASTAVUSAVALDUS

Me deklareerime ainuisikuliselt vastutades, et lõigus "Tehnilised andmed" kirjeldatud toode vastab direktiivide 2011/65/EU (RoHS), 2014/30/EU, 2006/42/EÜ kõigile olulisele tähtsusega eeskirjadele ning järgmistele harmoneeritud normatiivsetele dokumentidele:
 EN 60745-1:2009 + A11:2010
 EN 60745-2-11:2010
 EN 55014-1:2006 + A1:2009 + A2:2011
 EN 61000-4-2:2009
 EN 55014-2:1997 + A1:2001 + A2:2008
 EN 50581:2012

Winnenden, 2016-05-24


 Alexander Krug
 Managing Director
 On volitatud koostama tehnilist dokumentatsiooni.
 Techtronic Industries GmbH
 Max-Eyth-Straße 10
 71364 Winnenden
 Germany



AKUD

Pikemat Milwaukeea mittekasutatud akusid laadige veel enne kasutamist.

Temperatuur üle 50 °C vähendab vahetatava aku töövõimet. Vältige pikemat soojenemist päikese või kütteseadme mõjul. Hoidke laadija ja vahetatava aku ühenduskontaktid puhtad. Optimaalse patarei eluea tagamiseks, pärast kasutamist lae patareiplokk täielikult.

Akud tuleks võimalikult pika kasutuse saavutamiseks pärast täislaadimist laadijast välja võtta.

Aku ladustamisel üle 30 päeva:
 Ladustage akut kuivas kohas u 27°C juures.
 Ladustage akut u 30-50% laetusseisundis.
 Laadige aku iga 6 kuu tagant täis.

HOOLDUS

Hoidke masina õhutuspilud alati puhtad. Kasutage ainult Milwaukee tarvikuid ja tagavaraosi. Detailid, mille väljavahetamist pole kirjeldatud, laske välja vahetada Milwaukee klienditeeninduspunkti (vaadake brošüüri garantii / klienditeeninduste aadressid).

Vajaduse korral võite tellida seadme läbilõikejoonise, näidates ära masina tüübi ja andmesildil oleva numbri. Selleks pöörduge klienditeeninduspunkti või otse: Techtronic Industries GmbH, Max-Eyth-Straße 10, 71364 Winnenden, Germany.

SÜMBOLID

	ETTEVAATUST! TÄHELEPANU! OHUD!
	Enne kõiki töid masina kallal võtke vahetatav aku välja.
	Palun lugege enne käikulaskmist kasutamishend hoolikalt läbi.
	Kanda kaitsekindaid!
	Kandke kaitseks kõrvaklappe!
	Tarvikud - ei kuulu tarne komplekti, soovitatav täiendus on saadaval tarvikute programmis.
	Elektriseadmeid ei tohi utiliseerida koos majapidamisprügiga. Elektrilised ja elektroonilised seadmed tuleb eraldi kokku koguda ning keskkonnasõbralikuks utiliseerimiseks vastavas käitlusettevõttes ära anda. Küsige kohalikest pädevatest ametitest või edasimüüjalt käitlusjaamade ja kogumispunktide kohta järele.
	CE-märk
	Ukraina riiklik vastavusmärk
	EurAsian Conformity Mark.

ТЕХНИЧЕСКИЕ ДАННЫЕ	АКК. ЛОБЗИК	M18 BJS
Серийный номер изделия	4568 60 01...	...000001-99999
Вольтаж аккумулятора	18 V	
Частота хода без нагрузки	0-2800 min ⁻¹ (+/- 10%)	
Длина хода	26 mm	
Наклонное пиление до	45°	
Макс. глубина резки в:		
Дерево	55 mm	
Алюминий	10 mm	
Вес согласно процедуре EPTA 01/2003 (4,0 Ah)	3,3 kg	

Информация по шумам/вибрации

Значения замерялись в соответствии со стандартом EN 60 745.

Уровень шума прибора, определенный по показателю A, обычно составляет:

Уровень звукового давления (Небезопасность K=3dB(A)) 85 dB (A)
 Уровень звуковой мощности (Небезопасность K=3dB(A)) 96 dB (A)

Пользуйтесь приспособлениями для защиты слуха.

Общие значения вибрации (векторная сумма трех направлений) определены в соответствии с EN 60745.

Пиление дерева

Значение вибрационной эмиссии a_h 6,41 m/s²
 Небезопасность K= 1,5 m/s²

Пиление листового металла

Значение вибрационной эмиссии a_h 4,53 m/s²
 Небезопасность K= 1,5 m/s²

ВНИМАНИЕ

Указанный в настоящем руководстве уровень вибрации измерен в соответствии с технологией измерения, установленной стандартом EN 60745 и может использоваться для сравнения электроинструментов друг с другом. Он также подходит для предварительной оценки вибрационной нагрузки.

Указанный уровень вибрации представляет основные виды использования электроинструмента. Но если электроинструмент используется для других целей, используемый инструмент отклоняется от указанного или техническое обслуживание было недостаточным, то уровень вибрации может отклоняться от указанного. В этом случае вибрационная нагрузка в течение всего периода работы значительно увеличивается.

Для точной оценки вибрационной нагрузки необходимо также учитывать время, в течение которого прибор отключен или включен, но фактически не используется. В этом случае вибрационная нагрузка в течение всего периода работы может существенно уменьшиться.

Установите дополнительные меры безопасности для защиты пользователя от воздействия вибрации, например: техническое обслуживание электроинструмента и используемого инструмента, поддержание рук в теплом состоянии, организация рабочих процессов.

⚠ ПРЕДУПРЕЖДЕНИЕ! Прочтите все указания по безопасности и инструкции. Упущения, допущенные при соблюдении указаний и инструкций по технике безопасности, могут стать причиной электрического поражения, пожара и тяжелых травм.
Сохраняйте эти инструкции и указания для будущего использования.

⚠ УКАЗАНИЯ ПО БЕЗОПАСНОСТИ ДЛЯ НОЖОВОЧНЫХ ПИЛ

Используйте наушники! Воздействие шума может привести к потере слуха.

Если Вы выполняете работы, при которых режущий инструмент может зацепить скрытую электропроводку кабель, инструмент следует держать за специально предназначенные для этого изолированные поверхности. Контакт с ведущими напряжениями проводами ставит металлические части прибора под напряжение и ведет к поражению электротоком.

ДОПОЛНИТЕЛЬНЫЕ УКАЗАНИЯ ПО БЕЗОПАСНОСТИ И РАБОТЕ

Пользоваться средствами защиты. Работать с инструментом всегда в защитных очках. Рекомендуется спецодежда: пылезащитная маска, защитные перчатки, прочная и нескользящая обувь, каска и наушники.

Пыль, возникающая при работе данным инструментом, может нанести вред здоровью. Не следует допускать её попадания в организм. Надевайте противопылевой респиратор. Запрещается обрабатывать материалы, которые могут нанести вред здоровью (напр., асбест).

При блокировании используемого инструмента немедленно выключить прибор! Не включайте прибор до тех пор, пока используемый инструмент заблокирован, в противном случае может возникнуть отдача с высоким реактивным моментом. Определите и устраните причину блокирования используемого инструмента с учетом указаний по безопасности.

Возможными причинами могут быть:

- перекос заготовки, подлежащей обработке
- разрушение материала, подлежащего обработке
- перегрузка электроинструмента

Не прикасаться к работающему станку.

Используемый инструмент может нагреваться во время применения.

ВНИМАНИЕ! Опасность получения ожога

- при смене инструмента
- при укладывании прибора

Не убирайте опилки и обломки при включенном инструменте.

При работе в стенах, потолках или полу следите за тем, чтобы не повредить электрические кабели или водопроводные трубы.

Закрепите вашу заготовку с помощью зажимного приспособления. Незакрепленные заготовки могут привести к тяжелым травмам и повреждениям.

Не используйте треснувшие или погнутые полотна пилы.

Врезание без предварительного высверливания отверстий возможно в мягких материалах (дерево, легких строительных материалах для стен). В более твердых материалах (металле) необходимо сначала просверлить отверстия, соответствующие размеру пыльного полотна.

Выньте аккумулятор из машины перед проведением с ней каких-либо манипуляций.

Не выбрасывайте использованные аккумуляторы вместе с домашним мусором и не сжигайте их. Дистрибьюторы компании Milwaukee предлагают восстановление старых аккумуляторов, чтобы защитить окружающую среду.

Не храните аккумуляторы вместе с металлическими предметами во избежание короткого замыкания.

Не допускается попадания каких-либо металлических предметов в аккумуляторный отсек зарядного устройства во избежание короткого замыкания.

Для зарядки аккумуляторов модели M18 используйте только зарядным устройством M18. Не заряжайте аккумуляторы других систем.

Никогда не вскрывайте аккумуляторы или зарядные устройства и храните их только в сухих помещениях. Следите, чтобы они всегда были сухими.

Аккумуляторная батарея может быть повреждена и дать течь под воздействием чрезмерных температур или повышенной нагрузки. В случае контакта с аккумуляторной кислотой немедленно промойте место контакта мылом и водой. В случае попадания кислоты в глаза промойте глаза в течение 10 минут и немедленно обратитесь за медицинской помощью.

ИСПОЛЬЗОВАНИЕ

Этот лобзик может пилить дерево, пластик и металл; он может пилить по прямой, под наклоном, по кривой и делать внутренние вырезы.

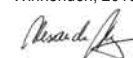
Не пользуйтесь данным инструментом способом, отличным от указанного для нормального применения.

ДЕКЛАРАЦИЯ О СООТВЕТСТВИИ СТАНДАРТАМ ЕС

Мы заявляем под собственную ответственность, что изделие, описанное в разделе "Технические характеристики", соответствует всем важным предписаниям Директивы 2011/65/EU (Директива об ограничении применения опасных веществ в электрических и электронных приборах), 2014/30/EU, 2006/42/EC и приведенным далее гармонизированным нормативным документам:

EN 60745-1:2009 + A11:2010
 EN 60745-2-11:2010
 EN 55014-1:2006 + A1:2009 + A2:2011
 EN 61000-4-2:2009
 EN 55014-2:1997 + A1:2001 + A2:2008
 EN 50581:2012

Winnenden, 2016-05-24



Alexander Krug
 Managing Director



Уполномочен на составление технической документации.

Techtronic Industries GmbH
 Max-Eyth-Straße 10
 71364 Winnenden
 Germany

АККУМУЛЯТОР

Перед использованием аккумулятора, которым не пользовались некоторое время, его необходимо зарядить.

Температура свыше 50°C снижает работоспособность аккумуляторов. Избегайте продолжительного нагрева или прямого солнечного света (риск перегрева).

Контакты зарядного устройства и аккумуляторов должны содержаться в чистоте.

Для обеспечения оптимального срока службы аккумулятора необходимо полностью заряжать после использования прибора.

Для достижения максимально возможного срока службы аккумуляторы после зарядки следует вынимать из зарядного устройства.

При хранении аккумулятора более 30 дней: Храните аккумулятор при 27°C в сухом месте.

Храните аккумулятор с зарядом примерно 30% - 50%. Каждые 6 месяцев аккумулятор следует заряжать.










ОБСЛУЖИВАНИЕ

Всегда держите охлаждающие отверстия чистыми.

Пользуйтесь аксессуарами и запасными частями только фирмы Milwaukee. В случае возникновения необходимости в замене, которая не была описана, пожалуйста, обращайтесь на один из сервисных центров (см. список наших гарантийных/сервисных организаций).

При необходимости может быть заказан чертеж инструмента с трехмерным изображением деталей. Пожалуйста, укажите номер и тип инструмента и закажите чертеж у Ваших местных агентов или непосредственно у Techtronic Industries GmbH, Max-Eyth-Straße 10, 71364 Winnenden, Germany.

СИМВОЛЫ

	ВНИМАНИЕ! ПРЕДУПРЕЖДЕНИЕ! ОПАСНОСТЬ!
	Выньте аккумулятор из машины перед проведением с ней каких-либо манипуляций.
	Пожалуйста, внимательно прочтите инструкцию по использованию перед началом любых операций с инструментом.
	Надевать защитные перчатки!
	Пользуйтесь приспособлениями для защиты слуха.
	Принадлежности - В стандартную комплектацию не входит, поставляется в качестве дополнительной принадлежности.
	Электрические устройства нельзя утилизировать вместе с бытовым мусором. Электрические и электронные устройства следует собирать отдельно и сдавать в специализированную утилизирующую компанию для утилизации в соответствии с нормами охраны окружающей среды. Сведения о центрах вторичной переработки и пунктах сбора можно получить в местных органах власти или у вашего специализированного дилера.
	Знак CE
	Национальный украинский знак соответствия
	EurAsian Conformity Mark.

ТЕХНИЧЕСКИ ДАННИ АКУМУЛАТОРЕН ПРОБОДЕН ТРИОН		M18 BJS
Производствен номер.....	4568 60 01...	...000001-999999
Напрежение на акумулатора	18 V	
Честота на движение на триончето на празен ход	0-2800 min ⁻¹ (+/- 10%)	
Височина на хода.....	26 mm	
Рязане под ъгъл до	45°	
Макс. дълбочина на рязане в:		
дърво	55 mm	
Алуминий	10 mm	
Тегло съгласно процедурата EPTA 01/2003 (4,0 Ah)	3,3 kg	

Информация за шума/вибрациите

Измерените стойности са получени съобразно EN 60 745.

Оцененото с А ниво на шума на уреда е съответно:

Равнище на звуковото налягане (Несигурност K=3dB(A)) 85 dB (A)

Равнище на мощността на звука (Несигурност K=3dB(A)) 96 dB (A)

Да се носи предпазно средство за слуха!

Общите стойности на вибрациите (векторна сума на три посоки) са определени в съответствие с EN 60745.

Рязане на дърво

Стойност на емисии на вибрациите a_h 6,41 m/s²

Несигурност K= 1,5 m/s²

Рязане на метална ламарина

Стойност на емисии на вибрациите a_h 4,53 m/s²

Несигурност K= 1,5 m/s²

ВНИМАНИЕ

Посоченото в тези инструкции ниво на вибрациите е измерено в съответствие със стандартизиран в EN 60745 измервателен метод и може да се използва за сравнение на електрически инструменти помежду им. Подходящ е и за временна оценка на вибрационното натоварване.

Посоченото ниво на вибрациите представя основните приложения на електрическия инструмент. Ако обаче електрическият инструмент се използва с друго предназначение, с различни сменяеми инструменти или при недостатъчна техническа поддръжка, нивото на вибрациите може да е различно. Това чувствително може да увеличи вибрационното натоварване по време на целия работен цикъл.

За точната оценка на вибрационното натоварване трябва да се вземат предвид и периодите от време, в които уредът е изключен или работи, но в действителност не се използва. Това чувствително може да намали вибрационното натоварване по време на целия работен цикъл.

Определете допълнителни мерки по техника на безопасност в защита на обслужвания работник от въздействието на вибрациите като например: техническа поддръжка на електрическия инструмент и сменяемите инструменти, поддръжане на ръцете топли, организация на работния цикъл.

⚠ ПРЕДУПРЕЖДЕНИЕ! Прочетете всички указания и напътствия за безопасност.

Пропуски при спазването на указанията и напътствията за безопасност могат да доведат до токов удар, пожар и/или тежки наранявания.

Съхранявайте указанията и напътствията за безопасност за справка при нужда.

⚠ ИНСТРУКЦИИ ЗА БЕЗОПАСНОСТ ЗА ПРОБОДНИ ТРИОНИ.

Носете средство за защита на слуха. Въздействието на шума може да предизвика загуба на слуха.

Дръжте уреда за изолираните ръкохватки, когато извършвате работи, при които режещият инструмент може да засегне скрити електроинсталационни кабели.

При влизане в съприкосновение с проводник под напрежение, то се предава на всички метални части на електроинструмента, което може да доведе до токов удар.

ДОПЪЛНИТЕЛНИ УКАЗАНИЯ ЗА РАБОТА И БЕЗОПАСНОСТ

Да се използват предпазни средства. При работа с машината винаги носете предпазни очила. Препоръчват се защитни облекло и прахозащитна маска, защитни ръкавици, здрави и нехлъзгащи се обувки, каска и предпазни средства за слуха.

Прахът, който се образува при работа, често е вреден за здравето и не бива да попада в тялото. Да се носи подходяща прахозащитна маска.

Не е разрешена обработката на материали, които представляват опасност за здравето (напр. азбест).

Ако използваният инструмент блокира, изключете веднага уреда! Не включвайте уреда отново, докато използваният инструмент не е блокиран; това би могло да доведе до откат с висока реактивна сила. Открийте и отстранете причината за блокирането на използвания инструмент имайки в предвид инструкциите за безопасност.

Възможните причини за това могат да бъдат:

- Заклинване в обработваната част
- Пробиване на материала
- Пренатоварване на електрическия инструмент

Не бъркайте в машината, докато тя работи.

Използваният инструмент може да загрее по време на употреба.

ВНИМАНИЕ! Опасност от изгаряния

- при смяна на инструмента
- при оставяне на уреда

Стружки или отчупени парчета да не се отстраняват, докато машина работи.

При работа в стени, тавани или подове внимавайте за кабели, газопроводи и водопроводи.

Закрепете обработваната част с устройство за захващане. Незакрепени части за обработка могат да причинят сериозни наранявания и материални щети.

Да не се използват напукани режещи листови или такива, които са се деформирали!

Рязане с потъване на триона е възможно само при по-меките материали (дърво, леки строителни материали за стени), а при по-твърди материали (метали) трябва да се направи голям отвор съобразно режещия лист.

Преди започване на каквито е да е работи по машината извадете акумулатора.

Не изхвърляйте изхабените акумулатори в огъня или в при битовите отпадъци. Milwaukee предлага екологосъобразно събиране на старите акумулатори; моля попитайте Вашия специализиран търговец.

Не съхранявайте акумулаторите заедно с метални предмети (опасност от късо съединение).

В гнездото за акумулатори на зарядните устройства не бива да попадат метални части (опасност от късо съединение).

Акумулатори от системата M18 да се зареждат само със зарядни устройства от системата M18 laden. Да не се зареждат акумулатори от други системи.

Не отваряйте акумулатори и зарядни устройства и ги съхранявайте само в сухи помещения. Пазете ги от влага.

При екстремно натоварване или екстремна температура от повредените акумулатори може да изтече батерийна течност. При допир с такава течност веднага измийте с вода и сапун. При контакт с очите веднага изплаквайте старателно най-малко 10 минути и незабавно потърсете лекар.

ИЗПОЛЗВАНЕ ПО ПРЕДНАЗНАЧЕНИЕ

Прободният трион реже дърво, пластмасата и метал. Той реже по права линия, под ъгъл и по крива линия и прави вътрешни изрези.

Този уред може да се използва по предназначение само както е посочено.

СЕ - ДЕКЛАРАЦИЯ ЗА СЪОТВЕТСТВИЕ

Заявяваме под собствена отговорност, че описаният в "Технически данни" продукт съответства на всички важни разпоредби на директива 2011/65/EU (RoHS), 2014/30/EU, 2006/42/EO, както и на всички следващи нормативни документи във тази връзка.

EN 60745-1:2009 + A11:2010

EN 60745-2-11:2010

EN 55014-1:2006 + A1:2009 + A2:2011

EN 61000-4-2:2009

EN 55014-2:1997 + A1:2001 + A2:2008

EN 50581:2012

Winnenden, 2016-05-24



Alexander Krug
Managing Director



Упълномощен за съставяне на техническата документация
Techtronic Industries GmbH
Max-Eyth-Straße 10
71364 Winnenden
Germany

АКУМУЛАТОРИ

Акумулатори, които не са ползвани по-дълго време, преди употреба да се дозаредят.

Температура над 50°C намалява мощността на акумулатора. Да се избягва по-продължително нагряване на слънце или от отопление.

Поддържайте чисти присъединителните контакти на зарядното устройство и на акумулатора.

За оптимална продължителност на живот след употреба батериите трябва да се заредят напълно.

За възможно по-дълга продължителност на живот батериите трябва да се изваждат от уреда след зареждане.

При съхранение на батериите за повече от 30 дни: съхранявайте батерията при прибл. 27°C и на сухо място. Съхранявайте батерията при 30 до 50 % от заряда. Зареждайте батерията на всеки 6 месеца.

ПОДДРЪЖКА

Вентилационните шлицы на машината да се поддържат винаги чисти.

Да се използват само аксесоари на Milwaukee и резервни части на. Елементи, чията подмяна не е описана, да се дадат за подмяна в сервиз на Milwaukee (вижте брошурата "Гаранция и адреси на сервизи").

При необходимост можете да поискате за уреда от Вашия сервиз или директно от Techtronic Industries GmbH, Max-Eyth-Straße 10, 71364 Winnenden, Germany, чертеж за в случай на експлозия, като посочите типа на машината и номер върху заводската табелка.

СИМВОЛИ



ВНИМАНИЕ! ПРЕДУПРЕЖДЕНИЕ!
ОПАСНОСТ



Преди започване на каквито е да е работи по машината извадете акумулатора.



Преди пускане на уреда в действие моля прочетете внимателно инструкцията за използване.



Да се носят предпазни ръкавици!



Да се носи предпазно средство за слуха!



Аксесоари - Не се съдържат в обема на доставката, препоръчвано допълнение от програмата за аксесоари.



Електрическите уреди не трябва да се изхвърлят заедно с битовите отпадъци. Електрическото и електронното оборудване трябва да се събират отделно и да се предават на службите за рециклиране на отпадъците според изискванията за опазване на околната среда. Информирайте се при местните служби или при местните специализирани търговци относно местата за събиране и центровете за рециклиране на отпадъци.



СЕ-знак



Национален знак за съответствие - Украйна



EurAsian Conformity Mark.

DATE TEHNICE	FERĂSTRĂU PENDULAR CU ACUMULATOR	M18 BJS
Număr producție	4568 60 01...	..000001-999999
Tensiune acumulator	18 V	
Cursa în gol:	0-2800 min ⁻¹ (+/- 10%)	
Lungimi de cursă	26 mm	
Tăiere oblică până la	45°	
Adâncimea max. de tăiere:		
Lemn	55 mm	
Aluminiu	10 mm	
Greutatea conform „EPTA procedure 01/2003” (4,0 Ah)	3,3 kg	

Informație privind zgomotul/vibrațiile

Valori măsurate determinate conform EN 60 745.

Nivelul de zgomot evaluat cu A al aparatului este tipic de:

Nivelul presiunii sonore (Nesiguranță K=3dB(A))..... 85 dB (A)

Nivelul sunetului (Nesiguranță K=3dB(A))..... 96 dB (A)

Purtați căști de protecție

Valorile totale de oscilație (suma vectorială pe trei direcții)

determinate conform normei EN 60745.

Tăiere de lemn

Valoarea emisiei de oscilații a_n 6,41 m/s²

Nesiguranță K= 1,5 m/s²

Tăiere de tablă din metal

Valoarea emisiei de oscilații a_n 4,53 m/s²

Nesiguranță K= 1,5 m/s²

AVERTISMENT

Gradul de oscilație indicat în prezentele instrucțiuni a fost măsurat în conformitate cu o procedură de măsurare normată prin norma EN 60745 și poate fi folosit pentru a compara uneltele electrice între ele. El se pretează și pentru o evaluare provizorie a solicitării la oscilații.

Gradul de oscilație indicat reprezintă aplicațiile principale ale uneltelor electrice. În cazul în care însă uneltele electrice au fost folosite pentru alte aplicații, ori au fost folosite uneltele de muncă diferite ori acestea nu au fost supuse unei suficiente inspecții de întreținere, gradul de oscilație poate fi diferit. Acest fapt poate duce la o creștere netă a solicitărilor la oscilații dealungul întregii perioade de lucru.

În scopul unei evaluări exacte a solicitării la oscilații, urmează să fie luate în considerație și perioadele de timp în care aparatul a fost oprit ori funcționează dar, în realitate, el nu este folosit în mod practic. Acest fapt poate duce la o reducere netă a solicitărilor la oscilații dealungul întregii perioade de lucru.

Stabiliți măsuri de siguranță suplimentare în scopul protecției utilizatorului de efectele oscilațiilor, de exemplu: inspecție de întreținere a uneltelor electrice și a celor de muncă, păstrarea caldă a mâinilor, organizarea proceselor de muncă.

⚠️ AVERTIZARE! Citiți toate indicațiile de siguranță și toate instrucțiunile. Nerespectarea indicațiilor de avertizare și a instrucțiunilor poate provoca electrocutare, incendii și/sau răni grave.
Păstrați toate indicațiile de avertizare și instrucțiunile în vederea utilizărilor viitoare.

⚠️ INDICAȚII DE SIGURANȚĂ PENTRU TĂIEREA CU FERĂSTRĂIA COADĂ DE ȘOARECE

Purtați aparatoarea de urechi. Expunerea la zgomot poate produce pierderea auzului.

Țineți aparatul de mânerul izolat când executați lucrări la care scula tăietoare poate nimeri peste conductorii electrici ascunși. Contactul cu un conductor sub tensiune determină punerea sub tensiune a componentelor metalice ale mașinii și duce la electrocutare.

INSTRUCȚIUNI SUPPLEMENTARE DE SIGURANȚĂ ȘI DE LUCRU

Folosiți echipament de protecție. Purtați întotdeauna ochelari de protecție când lucrați cu mașina. Se recomandă utilizarea hainelor de protecție ca de ex. Măști contra prafului, mănuși de protecție, încălțăminte stabilă nealunecoasă, cască și apărătoare de urechi.

Praful care apare când se lucrează cu această sculă poate fi dăunător sănătății și prin urmare nu trebuie să atingă corpul. Purtați o mască de protecție corespunzătoare împotriva prafului.

Nu se admite prelucrarea unui material care poate pune în pericol sănătatea operatorului (de exemplu azbestul).

La blocarea sculei demontabile vă rugăm să deconectați imediat aparatul! Nu conectați aparatul atâta timp cât scula demontabilă este blocată; dacă o faceți, s-ar putea să se producă un recul cu un cuplu mare de reacție. Găsiți și remediați cauza de blocare a sculei demontabile respectând indicațiile pentru siguranță.

Cauzele posibile pot fi:

- Agățarea în piesa de prelucrat
- Străpungerea materialului de prelucrat
- Suprasolicitarea sculei electrice

Nu atingeți părțile mașinii aflate în rotație.

Scula introdusă poate să devină fierbinte în timpul utilizării.

AVERTISMENT! Pericol de arsuri

- la schimbarea sculei
- la depunerea aparatului

Rumegușul și spanul nu trebuie îndepărtate în timpul funcționării mașinii.

Când se lucrează pe pereți, tavan sau dușumea, aveți grijă să evitați cablurile electrice și țevile de gaz sau de apă.

Asigurați piesa de prelucrat cu un dispozitiv de fixare. Piesele neasigurate pot provoca accidente grave și stricăciuni.

Nu folosiți lame de ferăstrău crăpate sau deformat.

Tăieri de adâncime fără efectuarea prealabilă a unei găuri sunt posibile cu materiale moi (lemn, materiale ușoare de construcție pentru pereți). Materialele mai dure (metale) trebuie întâi să fie perforate cu o gaură care corespunde dimensiunii lamei ferăstrăului.

Îndepărtați acumulatorul înainte de începerea lucrului pe mașina

Nu aruncați acumulatorii uzați la containerul de reziduri menajere și nu îi ardeți. Milwaukee Distributors se oferă să recupereze acumulatorii vechi pentru protecția mediului înconjurător.

Nu depozitați acumulatorul împreună cu obiecte metalice (risc de scurtcircuit)

Nu se permite introducerea nici unei piese metalice în locașul pentru acumulator al încarcătorului. (risc de scurtcircuit)

Folosiți numai încărcătoare System M18 pentru încărcarea acumulatorilor System M18. Nu folosiți acumulatori din alte sisteme.

Nu deschideți niciodată acumulatorii și încărcătoarele și pastrați-le numai în încăperi uscate. Pastrați-le întotdeauna uscate.

Acidul se poate scurge din acumulatorii deteriorați la încălziri sau temperaturi extreme. În caz de contact cu acidul din acumulator, spălați imediat cu apă și săpun. În caz de contact cu ochii, clătiți cu atenție timp de cel puțin 10 minute și apelați imediat la îngrijire medicală.

CONDIȚII DE UTILIZARE SPECIFICATE

Acest ferăstrău pendular taie lemn, materiale plastice și metale. El poate tăia linii drepte, oblice, curbe și poate face tăieturi interne.

Nu utilizați acest produs în alt mod decât cel stabilit pentru utilizare normală

DECLARAȚIE DE CONFORMITATE

Declarăm pe propria răspundere că produsul descris la "Date tehnice" este în concordanță cu toate prevederile legale relevante ale Directivei 2011/65/EU (RoHS), 2014/30/UE, 2006/42/CE și cu următoarele norme armonizate:

EN 60745-1:2009 + A11:2010

EN 60745-2-11:2010

EN 55014-1:2006 + A1:2009 + A2:2011

EN 61000-4-2:2009

EN 55014-2:1997 + A1:2001 + A2:2008

EN 50581:2012

Winnenden, 2016-05-24



Alexander Krug
Managing Director



Împuternicit să elaboreze documentația tehnică.

Techtronic Industries GmbH

Max-Eyth-Straße 10

71364 Winnenden

Germany

ACUMULATORI

Acumulatorii care nu au fost utilizați o perioadă de timp trebuie reîncărcați înainte de utilizare.

Temperatura mai mare de 50°C (122°F) reduce performanța acumulatorului. Evitați expunerea prelungită la căldură sau radiație solară (risc de supraîncălzire)

Contactele încărcătoarelor și acumulatorilor trebuie păstrate curate.

În scopul optimizării duratei de funcționare, bateriile trebuie reîncărcate complet după utilizare.

Pentru o durată de viață cât mai lungă, acumulatorii ar trebui scoși din încărcător după încărcare.

La depozitarea acumulatorilor mai mult de 30 zile:

Acumulatorii se depozitează la cca. 27°C și la loc uscat.

Acumulatorii se depozitează la nivelul de încărcare de cca. 30%-50%.

Acumulatorii se încarcă din nou la fiecare 6 luni.

INTREȚINERE

Fantele de aerisire ale mașinii trebuie să fie menținute libere tot timpul

Utilizați numai accesorii și piese de schimb Milwaukee. Dacă unele din componente care nu au fost descrise trebuie înlocuite, vă rugăm contactați unul din agenții de service Milwaukee (vezi lista noastră pentru service / garanție)

Dacă este necesară, se poate comanda o imagine descompusă a sculei. Vă rugăm menționați numărul art. Precum și tipul mașinii tipărit pe etichetă și comandați desenul la agenții de service locali sau direct la Techtronic Industries GmbH, Max-Eyth-Straße 10, 71364 Winnenden, Germany.

SIMBOLURI



PERICOL! AVERTIZARE! ATENȚIE!



Îndepărtați acumulatorul înainte de începerea lucrului pe mașina



Vă rugăm citiți cu atenție instrucțiunile înainte de pornirea mașinii



Purtați mănuși de protecție!



Purtați căști de protecție



Accesorii - Nu este inclus în echipamentul standard, disponibil ca accesoriu



Aruncarea aparatelor electrice la gunoierul menajere este interzisă. Echipamentele electrice și electronice trebuie colectate separat și predate la un centru de reciclare și eliminare a deșeurilor, pentru a fi eliminate ecologic. Interesați-vă la autoritățile locale sau la comerciantul dvs. de specialitate unde se află centre de reciclare și puncte de colectare.



Marcaj CE



Marcaj național de conformitate Ucraina



EurAsian Conformity Mark.

ТЕХНИЧКИ ПОДАТОЦИ	УБОДНА ПИЛА НА БАТЕРИИ	M18 BJS
Производен број.....	4568 60 01...	...000001-999999
Волтажа на батеријата	18 V	
Ударен момент при не оптовареност (на слободно).....	0-2800 min ⁻¹ (+/- 10%)	
Должина на удар	26 mm	
Дијагонален- кос рез до.....	45°	
Максимална длабочина на сечење во:		
Дрво	55 mm	
Алуминиум	10 mm	
Тежина според ЕПТА-процедурата 01/2003 (4,0 Ah).....	3,3 kg	

Информација за бучавата/вибрациите

Измерените вредности се одредени согласно стандардот EN 60 745.

А-оценетото ниво на бучава на апаратот типично изнесува:

Ниво на звучен притисок. (Несигурност K=3dB(A)) 85 dB (A)

Ниво на јачина на звук. (Несигурност K=3dB(A))..... 96 dB (A)

Носте штитник за уши.

Вкупни вибрациски вредности (векторски збир на трите насоки) пресметани согласно EN 60745.

Метали

Вибрациска емисиона вредност ah 6,41 m/s²

Несигурност K 1,5 m/s²

Дрво

Несигурност K 4,53 m/s²

Вибрациска емисиона вредност ah 1,5 m/s²

ПРЕДУПРЕДУВАЊЕ

Нивото на осцилација наведено во овие инструкции е измерено во согласност со мерните постапки нормирани во EN 60745 и може да биде употребено за меѓусебна споредба на електро-алати. Ова ниво може да се употреби и за привремена проценка на оптоварувањето на осцилацијата.

Наведеното ниво на осцилација ги репрезентира главните намени на електро-алатот. Но, доколку електро-алатот се употребува за други намени, со отстапувачки додатоци или со несоодветно одржување, нивото на осцилација може да отстапи. Тоа може значително да го зголеми оптоварувањето на осцилацијата за време на целиот работен период.

За прецизна проценка на оптоварувањето на осцилацијата предвид треба да бидат земени и времињата, во коишто апаратот е исклучен или работи, но фактички не се употребува. Тоа може значително да го намали оптоварувањето на осцилацијата за време на целиот работен период.

Утврдете дополнителни безбедносни мерки за заштита на операторот од влијанието на осцилациите, како на пример: одржување на електро-алатот и на додатоци кон електро-алатот, одржување топли раце, организација на работните процеси.

⚠ ВНИМАНИЕ! Прочитајте ги безбедносните напомени и упатства. Заборавање на почитувањето на безбедносните упатства и инструкции можат да предизвикаат електричен удар, пожар и/или тешки повреди.

Сочувајте ги сите безбедносни упатства и инструкции за во иднина.

⚠ НАПОМЕНИ ЗА БЕЗБЕДНОСТ ЗА УБОДНИ ПИЛИ

Носете штитник за уши. Изложеноста на бука може да предизвика губење на слухот.

Држете го електричниот алат за издадените површини при изведување на операции при кои алатот за сечење можат да дојдат во контакт со скриени жици. Контакт со жица под напон исто така ќе направи проводници од метални делови и оној кој ракува со алатот ќе доживее струен удар.

ОСТАНАТИ БЕЗБЕДНОСИ И РАБОТНИ УПАТСТВА

Употребувајте заштитна опрема. При работа со машината постојано носете заштитни очила. Се препорачува заштитна облека како: маска за заштита од прашина, заштитни ракавици, цврсти чевли што не се лизгаат, кацига и заштита за уши.

Пришната која се создава при користење на овој алат може да биде штетна по здравјето. Не ја вдишувајте. Носете соодветна заштитна маска.

Не смеат да бидат обработувани материјали кои што можат да го загрозат здравјето (на пр. азбест).

Доколку употребуваното орудие се блокира, молиме веднаш да се исклучи апаратот! Не го вклучувајте апаратот повторно додека употребуваното орудие е блокирано; притоа би можело да дојде до повратен удар со висок момент на реакција. Испитајте и отстранете ја причината за блокирањето на употребеното орудие имајќи ги во предвид напомените за безбедност.

Можни причини би можеле да се:

- Заканување во парчето кое што се обработува
- Кршење поради продирање на материјалот кој што се обработува
- Преоптоварување на електричното орудие

Не фаќајте во машината кога работи.

Употребеното орудие за време на примената може да стане многу жешко.

ПРЕДУПРЕДУВАЊЕ! Опасност од изгоретини

- при менување на орудието
- при ставање на апаратот на страна

Прашината и струготините не смеат да се одстрануваат додека е машината работи.

Кога работите на сидови, таван или под внимавајте да ги избегнете електричните, гасните и водоводни инсталации.

Обезбедете го предметот кој што го обработувате со направа за напон. Необезбедени парчиња кои што се обработуваат можат да предизвикаат тешки повреди и оштетувања.

Не користете скршени или изобличени сечила.

Убодни резони без претходно дупчење се можни кај меки материјали (дрво, лесни градежни материјали за сидови). Кај поцврсти материјали (метали) мора првин да се направи дупка која ќе одговара на димензијата на пилата.

Извадете го батерискиот склоп пред отпочнување на каков и да е зафат врз машината.

Не ги оставајте искористените батерии во домашниот отпад и не горете ги. Дистрибутерите на Милвоки ги собираат старите батерии, со што ја штитат нашата околина.

Не ги чувајте батериите заедно со метални предмети (ризик од краток спој).

Метални парчиња не смеат да навлезат во делот за полнење на батерија (ризик од краток спој).

Користете исклучиво Систем М18 за полнење на батерии од М18 систем. Не користете батерии од друг систем.

Не ги отворајте насилно батериите и полначите, и чувајте ги само на суво место. Чувајте ги постојано суви.

Киселината од оштетените батериите може да истече при екстреман напон или температури. Доколку дојдете во контакт со исатата, измијте се веднаш со сапун и вода. Во случај на контакт со очите плакнете ги убаво најмалку 10 минути и задолжително одете на лекар.

СПЕЦИФИЦИРАНИ УСЛОВИ НА УПОТРЕБА

Оваа убодна пила сече дрво, пластика и метал; може да сече прави линии, кривини и внатречни отсечоци.

Не го користете овој производ на било кој друг начин освен пропишаниот за нормална употреба.

ЕУ-ДЕКЛАРАЦИЈА ЗА СООБРАЗНОСТ

Во своја сопствена одговорност изјавуваме дека под "Технички податоци" опишаниот производ е во склад со сите релевантни прописи од регулативата 2011/65/EU (RoHS), 2014/30/EU, 2006/42/EC и следните хармонизирачки нормативни документи:

EN 60745-1:2009 + A11:2010
EN 60745-2-11:2010
EN 55014-1:2006 + A1:2009 + A2:2011
EN 61000-4-2:2009
EN 55014-2:1997 + A1:2001 + A2:2008
EN 50581:2012

Winnenden, 2016-05-24

Alexander Krug

Alexander Krug
Managing Director



Ополномоштен за составување на техничката документација.

Techtronic Industries GmbH
Max-Eyth-Straße 10
71364 Winnenden
Germany

БАТЕРИИ

Подолг период неупотребувани комплекти батерии да се наполнат пред употреба.

Температура повисока од 50°C (122°F) го намалуваат траењето на батериите. Избегнувајте подолго изложување на батериите на високи температури или сонце (ризик од прегревање).

Клемите на полначот и батериите мора да бидат чисти.

За оптимален работен век батериите мора да се наполнат целосно по употреба.

За можно подолг век на траење, апаратите после нивното полнење треба да бидат извадени од апаратот за полнење на батериите.

Во случај на складирање на батеријата подолго од 30 дена: Акумулаторот да се чува на температура од приближно 27°C и на суво место.

Акумулаторот да се складира на приближно 30%-50% од состојбата на наполнетост.

Акумулаторот повторно да се наполни на секои 6 месеци.

ОДРЖУВАЊЕ

Вентилациските отвори на машината мора да бидат комплетно отворени постојано.

Користете само Milwaukee додатоци и резервни делови. Доколку некои од компонентите кои не се опишани треба да бидат заменети, Ве молиме контактирајте ги сервисните агенти на Milwaukee (консултирајте ја листата на адреси).

Доколку е потребно можно е да биде набавен детален приказ на алатот. Ве молиме наведете го бројот на артиклот како и типот на машина кој е отпечатен на етикетата и порачајте ја скицата кај локалниот застапник или директно кај: Techtronic Industries GmbH, Max-Eyth-Straße 10, 71364 Winnenden, Germany.

СИМБОЛИ

	ВНИМАНИЕ! ПРЕДУПРЕДУВАЊЕ! ОПАСНОСТ!
	Извадете го батерискиот склоп пред отпочнување на каков и да е зафат врз машината.
	Ве молиме пред да ја стартувате машината обрнете внимание на упатствата за употреба.
	Носете ракавици!
	Носете штитник за уши.
	Дополнителна опрема - Не е вклучена во стандардната, а достапна е како додаток.
	Електричните апарати не смеат да се фрлат заедно со домашниот отпад. Електричните и електронските апарати треба да се собираат одделно и да се однесат во соодветниот погон заради нивно фрлање во склад со начелата за заштита на околината. Информирајте се кај Вашите местни служби или кај специјализираниот трговски претставник, каде има такви погони за рециклажа и собирни станици.
	СЕ-знак
	Национален конформитетски знак за Украина
	EurAsian Conformity Mark.

ТЕХНІЧНІ ХАРАКТЕРИСТИКИ АКУМУЛЯТОРНИЙ ЛОБЗИК	M18 BJS
Номер виробу.....	4568 60 01... ...000001-999999
Напруга змінної акумуляторної батареї	18 V
Споживана потужність.....	0-2800 min ⁻¹ (+/- 10%)
Висота ходу	26 mm
Навскісні розрізи до	45°
Глибина різання макс. в:	
Деревина	55 mm
Алюміній	10 mm
Споживана потужність.....	3,3 kg
Вага згідно з процедурою EPTA 01/2003 NiCd/NiMH // Li-Ion..	

Шум / інформація про вібрацію

Виміряні значення визначені згідно з EN 60 745.

Рівень шуму "А" приладу становить в типовому випадку:

Рівень звукового тиску (похибка K = 3 дБ(А))..... 85 dB (A)

Рівень звукової потужності (похибка K = 3 дБ(А))..... 96 dB (A)

Використовувати засоби захисту органів слуху!

Сумарні значення вібрації (векторна сума трьох

напрямок), встановлені згідно з EN 60745.

Пиляння деревини

Значення вібрації a_h..... 6,41 m/s²

похибка K = 1,5 m/s²

Пиляння металевого листа:

Значення вібрації a_h..... 4,53 m/s²

похибка K = 1,5 m/s²

ПОПЕРЕДЖЕННЯ!

Рівень вібрації, вказаний в цій інструкції, вимірювався згідно з методом вимірювання, нормованим стандартом EN 60745, і може використовуватися для порівняння електроінструментів. Він призначений також для попередньої оцінки навантаження від вібрації.

Вказаний рівень вібрації відповідає основним сферам використання електроінструменту. Але якщо електроінструмент використовується для іншої мети, з іншими вставними інструментами або при недостатньому технічному обслуговуванні, рівень вібрації може бути іншим. Це може значно підвищити навантаження від вібрації за весь період роботи.

Для точної оцінки навантаження від вібрації необхідно також враховувати час, коли прилад вимкнений або увімкнений, але фактично не використовується. Це може значно зменшити навантаження від вібрації за весь період роботи.

Визначте додаткові заходи безпеки для захисту оператора від дії вібрації, наприклад: Технічне обслуговування електроінструменту та вставних інструментів, зігрівання рук, організація робочих процесів.

⚠ ПОПЕРЕДЖЕННЯ! Прочитайте всі вказівки з техніки безпеки та інструкції. Упущення при дотриманні вказівок з техніки безпеки та інструкцій можуть призвести до ураження електричним струмом, пожежі та/або тяжких травм.

Зберігайте всі вказівки з техніки безпеки та інструкції на майбутнє.

⚠ ВКАЗІВКИ З ТЕХНІКИ БЕЗПЕКИ ДЛЯ ЛОБЗИКІВ

Користуйтеся засобами захисту органів слуху. Вплив шуму може спричинити втрату слуху.

Під час виконання робіт тримайте прилад за ізольовані поверхні рукояток, якщо вставний інструмент може натрапити на приховані електричні лінії.

Контакт з лінією під напругою може призвести до появи напруги в металевих частинах приладу та до ураження електричним струмом.

ДОДАТКОВІ ІНСТРУКЦІЇ З ТЕХНІКИ БЕЗПЕКИ ТА ЕКСПЛУАТАЦІЇ

Використовуйте індивідуальні засоби захисту. Під час роботи з машиною завжди носіть захисні окуляри. Радімо використовувати захисний одяг, як наприклад маску для захисту від пилу, захисні рукавиці, міцне та нековзне взуття, каску та засоби захисту органів слуху.

Пил, що утворюється під час роботи, часто буває шкідливим для здоров'я; він не повинен потрапляти в організм. Носіть відповідну маску для захисту від пилу.

Не можна обробляти матеріали, небезпечні для здоров'я (наприклад, азбест).

При блокуванні вставного інструменту негайно вимкнути прилад! Не вмикайте прилад, якщо вставний інструмент заблокований; при цьому може виникати віддача з високим зворотнім моментом. Визначити та усунути причину блокування вставного інструменту з урахуванням вказівок з техніки безпеки.

Можливі причини:

- Перекіс в заготовці, що обробляється
- Пробивання оброблюваного матеріалу
- Перевантаження електроінструменту

Частини тіла не повинні потрапляти в машину, коли вона працює.

Вставний інструмент може нагріватися під час роботи.

ПОПЕРЕДЖЕННЯ! Небезпека опіків

- при заміні інструменту
- при відкладанні приладу

Не можна видаляти стружку або уламки, коли машина працює.

Під час роботи на стінах, стелях або підлозі звертати увагу на електричні кабелі, газові та водопровідні лінії.

Зафіксувати заготовки в затисковому пристрої. Незакріплені заготовки можуть привести до тяжких травм та пошкоджень.

Пилкові полотна з тріщинами або деформовані диски використовувати не можна!

Пиляння з зануренням можливе тільки для м'яких матеріалів (деревина, легкі будівельні матеріали для стін), для твердіших матеріалів (метали) необхідно використовувати отвір, який відповідає пилковою полотну.

Перед будь-якими роботами на машині виїняти змінну акумуляторну батарею

Відпрацьовані знімі акумуляторні батареї не можна кидати у вогонь або викидати з побутовими відходами. Milwaukee пропонує утилізацію старих знімних акумуляторних батарей, безпечно для довкілля; зверніться до свого дилера.

Не зберігати знімі акумуляторні батареї разом з металевими предметами (небезпека короткого замикання).

В гніздо зарядного пристрою, яке призначене для встановлення змінної акумуляторної батареї, не повинні потрапляти металеві деталі (небезпека короткого замикання).

Знімі акумуляторні батареї системи GBS заряджати лише зарядними пристроями системи GBS . Не заряджати акумуляторні батареї інших систем.

Не відкривати знімі акумуляторні батареї і зарядні пристрої та зберігати їх лише в сухих приміщеннях. Берегти від вологи.

При екстремальному навантаженні або при екстремальній температурі з пошкодженою змінною акумуляторною батареєю може витікати електроліт. При потрапленні електроліту на шкіру його негайно необхідно змити водою з

милом. При потрапленні в очі їх необхідно негайно ретельно промити, щонайменше 10 хвилин, та негайно звернутися до лікаря.

ВИКОРИСТАННЯ ЗА ПРИЗНАЧЕННЯМ

Лобзик ріже деревину, полімерний матеріал та метали. Він ріже рівні лінії, скоси, криві та внутрішні розрізи.

Цей прилад можна використовувати тільки за призначенням так, як вказано в цьому документі.

СЕРТИФІКАТ ВІДПОВІДНОСТІ ВИМОГАМ ЄС

Ми заявляємо на власну відповідальність, що виріб, описаний в „Технічних даних“, відповідає всім застосовним положенням директиви 2011/65/EU (RoHS), 2014/30/EU, 2006/42/EG, та наступним гармонізованим нормативним документам:

EN 60745-1:2009 + A11:2010

EN 60745-2-11:2010

EN 55014-1:2006 + A1:2009 + A2:2011

EN 61000-4-2:2009

EN 55014-2:1997 + A1:2001 + A2:2008

EN 50581:2012

Winnenden, 2016-05-24

Alexander Krug

Alexander Krug
Managing Director



Уповноважений із складання технічної документації.

Techtronic Industries GmbH
Max-Eyth-Strasse 10
71364 Winnenden
Germany

АКУМУЛЯТОРНІ БАТАРЕЇ

Знімну акумуляторну батарею, що не використовувалася тривалий час, перед використанням необхідно підзарядити.

Температура понад 50 °C зменшує потужність змінної акумуляторної батареї. Уникати тривалого нагрівання сонячними променями або системою обігріву.

З'єднувальні контакти зарядного пристрою та змінної акумуляторної батареї повинні бути чистими.

Для забезпечення оптимального строку експлуатації акумуляторні батареї після використання необхідно повністю зарядити.

Для забезпечення максимально можливого терміну експлуатації акумуляторні батареї після зарядки необхідно виймати з зарядного пристрою.

При зберіганні акумуляторної батареї понад 30 днів: Зберігати акумуляторну батарею при температурі приблизно 27 °C в сухому місці.

Зберігати акумуляторну батарею в стані зарядки приблизно 30-50 %. Кожні 6 місяців заново заряджати акумуляторну батарею.

ЗАХИСТ АКУМУЛЯТОРНОЇ БАТАРЕЇ ВІД ПЕРЕВАНТАЖЕННЯ

Акумуляторний блок оснащений захистом від перевантаження, який захищає акумуляторну батарею від перевантаження і забезпечує тривалий термін експлуатації.

При надзвичайно великих навантаженнях робоча лампочка блимає, що свідчить про перевантаження. Якщо навантаження не зменшується, машина автоматично вимикається. Для продовження роботи вимкнути і знов увімкнути машину. Якщо машина не вмикається, можливо, розряджений акумуляторний блок, його необхідно знову зарядити в зарядному пристрої.

ТРАНСПОРТУВАННЯ ЛІТІЙ-ІОННИХ АКУМУЛЯТОРНИХ БАТАРЕЙ

Літій-іонні акумуляторні батареї підпадають під заборону законодавства про перевезення небезпечних вантажів.

Транспортування таких акумуляторних батарей повинно відбуватися із дотриманням місцевих, національних та міжнародних приписів та положень.

- споживачі можуть без проблем транспортувати ці акумуляторні батареї по вулиці.

- Комерційне транспортування літій-іонних акумуляторних батарей експедиторськими компаніями підпадає під положення про

транспортування небезпечних вантажів. Підготовку до відправлення та транспортування можуть здійснювати виключно особи, які пройшли відповідне навчання. Весь процес повинні контролювати кваліфіковані фахівці.

При транспортуванні акумуляторних батарей необхідно дотримуватись зазначених далі пунктів:

- Переконайтеся в тому, що контакти захищені та ізольовані, щоб запобігти короткому замиканню.

- Слідкуйте за тим, щоб акумуляторна батарея не переміщувалася всередині упаковки.

- Пошкоджені акумуляторні батареї, або акумуляторні батареї, що потекли, не можна транспортувати.

Для отримання подальших вказівок звертайтеся до своєї експедиторської компанії.

ОБСЛУГОВУВАННЯ

Завжди підтримувати чистоту вентиляційних отворів.

Використовувати комплектуючі та запчастини тільки від Milwaukee. Деталі, заміна яких не описується, замінювати тільки в відділі обслуговування клієнтів Milwaukee (зверніть увагу на брошуру "Гарантія / адреси сервісних центрів").

У разі необхідності можна запросити креслення з зображенням вузлів машини в перспективному вигляді, для цього потрібно звернутися в ваш відділ обслуговування клієнтів або безпосередньо в Techtronic Industries GmbH, Max-Eyth-Strasse 10, 71364 Winnenden, Німеччина, та вказати тип машини та шестизначний номер на фірмовій таблиці з даними машини.

СИМВОЛИ

	УВАГА! ПОПЕРЕДЖЕННЯ! НЕБЕЗПЕЧНО!
	Перед будь-якими роботами на машині виїняти змінну акумуляторну батарею
	Уважно прочитайте інструкцію з експлуатації перед введенням приладу в дію.
	Носити захисні рукавиці!
	Використовувати засоби захисту органів слуху!
	Комплектуючі - не входять в обсяг постачання, рекомендовані доповнення з програми комплектуючих.
	Електричні прилади не можна утилізувати з побутовими відходами. Електричні та електронні прилади необхідно збирати окремо та здавати в спеціалізовані підприємства для утилізації, що не шкодить навколишньому середовищу. Зверніться до місцевих органів або до вашого дилера, щоб отримати адреси пунктів вторинної переробки та пунктів прийому.
	Знак CE
	Національний знак відповідності для України
	EurAsian Conformity Mark.

البيانات الفنية	منشأ منحنيات لاسلكي	M18 BJS
إنتاج عدد.....	4568 60 01.....	000001-999999
فولطية البطارية.....	V 18	0-2800 min ⁻¹ (+/- 10%)
معدل الحركة النظامية مع عدم وجود أحمال.....	أطوال الحركة النظامية.....	قطر عمق للقطع: بالبوصة
أطوال الحركة النظامية.....	قطر السطح المائل إلى.....	أقصى عمق للقطع: بالبوصة
قطر السطح المائل إلى.....	أقصى عمق للقطع: بالبوصة.....	الخشب اللين.....
أقصى عمق للقطع: بالبوصة.....	الأمونيوم.....	الوزن وفقا لنهج EPTA رقم (Ah 4,0) 01/2003
الخشب اللين.....	الأمونيوم.....	معلومات الضوضاء/الذبذبات
الوزن وفقا لنهج EPTA رقم (Ah 4,0) 01/2003.....	الوزن وفقا لنهج EPTA رقم (Ah 4,0) 01/2003.....	القيم التي تم قياسها محددة وفقا للمعايير الأوروبية EN 60 745
معلومات الضوضاء/الذبذبات	القيم التي تم قياسها محددة وفقا للمعايير الأوروبية EN 60 745	مستويات ضوضاء الجهاز، ترجيح أ بشكل نموذجي كالتالي:
القيم التي تم قياسها محددة وفقا للمعايير الأوروبية EN 60 745	مستويات ضوضاء الجهاز، ترجيح أ بشكل نموذجي كالتالي:	مستوى ضغط الصوت (الارتياح في القياس = 3 ديسيبل (A))
مستويات ضوضاء الجهاز، ترجيح أ بشكل نموذجي كالتالي:	مستوى ضغط الصوت (الارتياح في القياس = 3 ديسيبل (A))	مستوى شدة الصوت (الارتياح في القياس = 3 ديسيبل (A))
مستوى ضغط الصوت (الارتياح في القياس = 3 ديسيبل (A))	مستوى شدة الصوت (الارتياح في القياس = 3 ديسيبل (A))	ارتد واقيات الأذن!
مستوى شدة الصوت (الارتياح في القياس = 3 ديسيبل (A))	ارتد واقيات الأذن!	قيم الذبذبات الإجمالي (مجموع الكميات الموجهة في المحاور الثلاثة) محددة وفقا للمعايير الأوروبية EN 60745.
ارتد واقيات الأذن!	قيم الذبذبات الإجمالي (مجموع الكميات الموجهة في المحاور الثلاثة) محددة وفقا للمعايير الأوروبية EN 60745.	قيمة انبعاث الذبذبات (a _h).....
قيم الذبذبات الإجمالي (مجموع الكميات الموجهة في المحاور الثلاثة) محددة وفقا للمعايير الأوروبية EN 60745.	قيمة انبعاث الذبذبات (a _h).....	الارتياح في القياس.....
قيمة انبعاث الذبذبات (a _h).....	الارتياح في القياس.....	نشر الصفائح المعدنية
الارتياح في القياس.....	نشر الصفائح المعدنية	قيمة انبعاث الذبذبات (a _h).....
نشر الصفائح المعدنية	قيمة انبعاث الذبذبات (a _h).....	الارتياح في القياس.....
قيمة انبعاث الذبذبات (a _h).....	الارتياح في القياس.....	

تحذير!

تم قياس مستوى انبعاث الذبذبات الموجود بثيقة المعلومات هذه وفقا للاختبار القياسي وفقاً للمعايير الأوروبية EN 60745 ويمكن استخدامه لمقارنة جهاز بغيره. كما يمكن استخدامه لعرض تقييم تمهيدي.

يمثل مستوى انبعاث الذبذبات المعلن عنه تطبيقات الجهاز الرئيسية. بالرغم من ذلك، فإنه إذا ما تم استخدام الجهاز لتطبيقات مختلفة، بلحقات مختلفة أو لم يتم المحافظة عليه، فقد يختلف انبعاث الذبذبات. قد يزيد ذلك بصورة كبيرة من مستوى التعرض للذبذبات طوال فترة العمل الإجمالية.

يجب الوضع في الاعتبار عند تقدير مستوى التعرض للذبذبات مرات إيقاف الجهاز أو تشغيله لكن دون استخدامه في القيام بمهمة. فقد يقلل ذلك بصورة كبيرة من مستوى التعرض للذبذبات طوال فترة العمل الإجمالية.

تعرف على معايير السلامة الإضافية لحماية المشغل من آثار الذبذبات مثل: صيانة الجهاز والملحقات، الحفاظ على دهاء الأيدي، وتنظيم نماذج العمل.

تحذير! اقرأ جميع تحذيرات السلامة وجميع التعليمات، بما فيها.

قد يؤدي الفشل في مراعاة التحذيرات والتعليمات إلى التعرض للإصابة بصدمة كهربية أو الحريق و/أو إصابة خطيرة.

احتفظ بجميع التعليمات والتعليقات الرجوع إليها مستقبلاً.

تعليمات أمان لخصائص المنحنيات

ارتد واقيات الأذن. قد يسبب التعرض للضوضاء فقدان السمع.

يجب الإمسك بالآلة الكهربائية من خلال أسطح القبض المعزولة وذلك عند القيام بعملية ما حيث قد تلامس أداة التثبيت أسلاك مخفية.

تنسب ملامسة أحد ملحقات آلة القطع بسلك كهربي "موصلة" في جعل الأجزاء المعدنية المشكوفة بالآلة الكهربائية "موصلة" كهربياً مما يجعل المشغل عرضة لصدمة كهربائية.

إرشادات أمان وعمل إضافية

استخدم معدة الوقاية. ارتد دائماً نظارة الوقاية عند العمل بالآلة. ينصح باستخدام الملابس الواقية مثل الكمادات الواقية من الغبار، والقفازات، والأحذية القوية غير المنزلقة، والخوذات، وواقيات الأذن.

قد تكون الأثرية الناتجة عن استخدام هذه الآلة ضارة بالصحة. لا تستنشق هذه الأثرية. ارتد قناعاً وقيماً من الأثرية مناسباً.

لا يجوز استخدام مواد ينجم عنها أضرار على الصحة (حزير سخري).

الرجاء إيقاف تشغيل الجهاز على الفور في حالة عرقلة أداء الاستعمال!

لا يتم تشغيل الجهاز مرة أخرى، طالما أن الآداة المستعملة لازالت في حالة عرقلة، حيث يمكن أن يحدث هنا ارتداد عكسي مصحوب بقوة رد فعل عالية.

قم بالبحث وإزالة أسباب عرقلة أداة الاستعمال مع مراعاة تعليمات الأمان.

من المحتمل أن تكون الأسباب هي:

- أتحذر في القطعة المخصصة للاستعمال
- اختراق المواد المخصصة للاستعمال
- زيادة الحمل على الآلة الكهربائية

لا تلامس بيديك الماكينة أثناء دورانها.

الأداة المستخدمة قد تسخن خلال الاستخدام.

تحذير! هناك خطر الإصابة بحروق

إعلان المطابقة - الإتحاد الأوروبي

بموجب هذا نقر على مسؤوليتنا المنفردة، أن المنتج المذكور الموصوف تحت "البيانات الفنية" يلبي

جميع المتطلبات الهامة الخاصة بالمعايير

2011/65EU, 2014/30/EG, 2006/42/EG

ويتطابق مع وثائق المعايير المتوافقة التالية:

EN 60745-1:2009 + A11:2010

EN 60745-2-11:2010

EN 55014-1:2006 + A1:2009 + A2:2011

EN 61000-4-2:2009

EN 55014-2:1997 + A1:2001 + A2:2008

EN 50581:2012

Winnenden, 2016-05-24


Alexander Krug
Managing Director

معمتدة للمطابقة مع الملف الفني

Techtronic Industries GmbH

Max-Eyth-Straße 10

Winnenden 71364

Germany

البطاريات

يجب إعادة شحن البطارية غير المستخدمة لفترة قبل الاستخدام.

تقلل درجات الحرارة التي تتجاوز 50° سيلزيوس (122° فهرنهايت) من أداء البطارية. تجنب التعرض الزائد للحرارة أو أشعة الشمس (خطر التسخين)..

يجب الحفاظ على محتويات الشواحن و البطاريات نظيفة.

للحصول على فترة استخدام مثالية، يجب شحن البطاريات تماماً، بعد الاستخدام.

للحصول على أطول عمر ممكن للبطارية، انزع البطارية من الشاحن بمجرد شحنها تماماً.

لتخزين البطارية أكثر من 30 يوم:

خزن البطارية بحيث تكون درجة الحرارة أقل من 27° سيلزيوس وبعيدا عن أي رطوبة

خزن البطارية مشحونة بنسبة تتراوح بين 30 50- %

اشحن البطارية كالمعتاد، وذلك كل سنة أشهر من التخزين.

نقل بطاريات الليثيوم

تخضع بطاريات الليثيوم أبون لشروط قوانين نقل السلع الخطرة.

ويجب نقل هذه البطاريات وفقاً للأحكام والقوانين المحلية والوطنية والدولية.

- يمكن للمستخدم نقل البطاريات برأ دون الخضوع لشروط أخرى.
- يخضع النقل التجاري لبطاريات الليثيوم أبون عن طريق الغير إلى قوانين نقل السلع الخطرة. يتعين أن يقوم أفراد مدربين جيداً بالإعداد لعملية النقل والقيام بها بصحية خيرا مثلهم.

متى تُنقل البطاريات:

- عند التأكد من حماية أطراف توصيل البطارية وعزلها تجنباً لحدوث قصر بالدائرة.
- عند التأكد من حماية حزمة البطارية من الحركة داخل صندوق التعبئة.
- يُرجى عدم نقل البطاريات التي بها تشققات أو تسريبات.

يُرجى البحث مع شركة الشحن عن نصيحة أخرى

الصيانة

يجب أن تكون فتحات تهوية الجهاز نظيفة طوال الوقت.

استخدم ملحقات Milwaukee وقطع الغيار التابعة لها فقط. إذا كانت المكونات التي يجب تغييرها غير مذكورة، يرجى الاتصال بأحد عملاء صيانة Milwaukee (انظر قائمة عناوين الضمان/الصيانة الخاصة بنا).

عند الحاجة يمكن طلب رمز انفجار الجهاز بعد ذكر طراز الآلة والرقم المداسي المذكور على بطاقة طاقة الآلة لدى جهة خدمة العملاء أو مباشرة لدى شركة Techtronic Industries GmbH, Max-Eyth-Straße 10, 71364 Winnenden, ألمانيا

زومرلا

تنبيه! تحذير! خطراً!



قم بإزالة حزمة البطارية قبل البدء في أي أعمال على الجهاز.



يرجى قراءة التعليمات بعناية قبل بدء تشغيل الجهاز.



ارتد القفازات!



ارتد واقيات الأذن!



الملحق - ليس مدرجاً كمعدة قياسية، متوفر كملحق.



يحظر التخلص من الأجهزة الكهربائية في القمامة المنزلية. يجب جمع الأجهزة الكهربائية والإلكترونية منفصلة وتسليمها للتخلص منها بشكل لا يضر البيئة لدى شركة إعادة استغلال. الرجاء الاستفسار لدى الهيئات المحلية أو لدى التجار المتخصصين عن مواقع إعادة الاستغلال ومواقع الجمع.

علامة المطابقة الأوروبية



العلامة الوطنية للمطابقة الأوكرانية



EurAsian Conformity Mark



Copyright 2016
Techtronic Industries GmbH
Max-Eyth-Straße 10
71364 Winnenden
Germany
+49 (0) 7195-12-0



(07.16)

4931 4147 20