

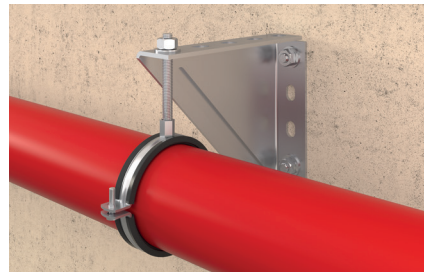
Heavy duty pipe clamp FRSM - metric

The large pipe clamp with sound insulation insert for medium to heavy loads

2a



Heavy pipe on cantilever



Heavy drainage pipe under angle bracket

Applications

- Fixing of medium to heavy pipes with threaded rods (hanger bolts)

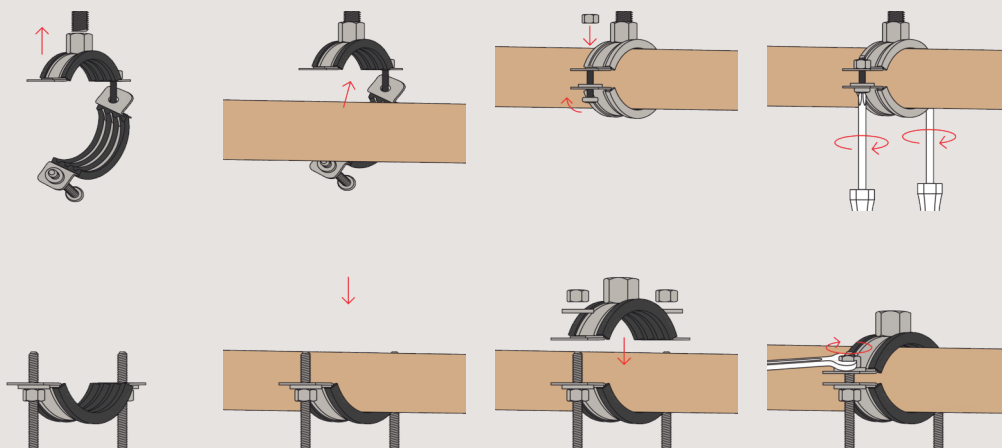
Advantages/benefits

- High tested loads guarantee safe functioning of the FRSM.
- The combination connecting nut with thread M10/M12, M12/M16 or M16 allows for optimised mounting choices.
- From Ø 124 mm it is possible to install with 2 threaded rods, e.g. for the fixing of cast iron roof drainage pipes.
- The two screws allow for easy adjustment to suit the outer pipe diameter.
- The screw's safety features ensures trouble-free installation.

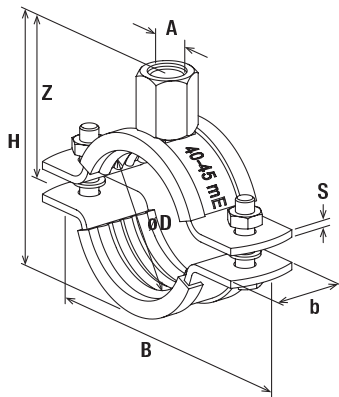
Properties

- Material: steel DD11 (material no. 1.0332) acc. to DIN EN 10111
- Zinc plating: electro zinc-plated, 5 - 9 µm
- Connecting nut: M10 / M12 = SW 17, M12 / M16 = SW 22, M16 = SW 24
- Locking screw: hexagon screw with nut
- Material sound insulation insert: EPDM; chlorine-free; silicone-free
- Temperature range: -50 °C to +110 °C
- Hardness: 45 ± 5° Shore A
- Fire behaviour: DIN 4102: Class B2

Installation FRSM



Technical data



FRSM - metrisch

Item	Item No.	Thread	Size	Clamping range	Width	Height	Width x thickness clamp band	Height Z	Locking screw	Max. recom. static load (centr. tension) N _{recom.} [kN]	Sales unit [pcs]
		A	[inch]	D [mm]	B [mm]	H [mm]	b x s [mm]	Z [mm]			
FRSM 1/2" M10/M12	554243	M 10 / M 12	1/2"	19 - 23	77	56	25 x 2.5	38	M 6	2.50	50
FRSM 3/4" M10/M12	554244	M 10 / M 12	3/4"	24 - 29	83	62	25 x 2.5	41	M 6	2.50	50
FRSM 1" M10/M12	554245	M 10 / M 12	1"	33 - 36	91	69	25 x 2.5	45	M 6	2.50	50
FRSM 1 1/4" M10/M12	554246	M 10 / M 12	1 1/4"	40 - 45	100	78	25 x 2.5	49	M 6	2.50	20
FRSM 1 1/2" M10/M12	554247	M 10 / M 12	1 1/2"	47 - 52	107	85	25 x 2.5	53	M 6	2.50	20
FRSM 53 - 58 M10/M12	554248	M 10 / M 12	—	53 - 58	113	91	25 x 2.5	56	M 6	2.50	20
FRSM 2" M10/M12	554249	M 10 / M 12	2"	60 - 65	120	98	25 x 2.5	59	M 6	2.50	20
FRSM 2 1/2" M10/M12	554250	M 10 / M 12	2 1/2"	73 - 78	138	115	30 x 3,0	68	M 8	3.00	20
FRSM 79 - 85 M10/M12	554251	M 10 / M 12	—	79 - 85	145	122	30 x 3,0	71	M 8	3.00	20
FRSM 3" M10/M12	554252	M 10 / M 12	3"	88 - 93	153	130	30 x 3,0	75	M 8	3.00	20
FRSM 102 M10/M12	554253	M 10 / M 12	—	100 - 106	166	143	30 x 3,0	82	M 8	3.00	20
FRSM 4" M10/M12	554254	M 10 / M 12	4"	108 - 116	176	153	30 x 3,0	87	M 8	3.00	20
FRSM 124 - 129 M10/M12	093709	M 10 / M 12	—	124 - 129	190	164	30 x 3,0	92	M 8	3.00	20
FRSM 131 - 137 M10/M12	093710	M 10 / M 12	—	131 - 137	198	172	30 x 3,0	96	M 8	3.00	20
FRSM 138 - 145 M10/M12	093711	M 10 / M 12	5"	138 - 145	205	180	30 x 3,0	100	M 8	3.00	20
FRSM 156 - 162 M10/M12	093712	M 10 / M 12	—	156 - 162	223	197	30 x 3,0	108	M 8	3.00	20
FRSM 165 - 171 M10/M12	093713	M 10 / M 12	6"	165 - 171	232	206	30 x 3,0	113	M 8	3.00	20
FRSM 177 - 183 M10/M12	558303	M 10 / M 12	—	177 - 183	245	222	30 x 3,0	121	M 8	3.0	20
FRSM 188 - 194 M10/M12	093714	M 10 / M 12	7"	188 - 194	255	229	30 x 3,0	124	M 8	3.00	10
FRSM 196 - 203 M10/M12	093715	M 10 / M 12	—	196 - 203	263	238	30 x 3,0	129	M 8	3.00	10
FRSM 212 M12/M16	505453	M 12 / M 16	—	205 - 214	297	264	40 x 4,0	147	M 12	5.00	10
FRSM 8" M12/M16	505454	M 12 / M 16	8"	219 - 225	308	275	40 x 4,0	153	M 12	5.00	10
FRSM 250 M12/M16	505455	M 12 / M 16	—	244 - 250	333	300	40 x 4,0	165	M 12	5.00	10
FRSM 10" M12/M16	505456	M 12 / M 16	10"	267 - 273	356	323	40 x 4,0	177	M 12	5.00	10
FRSM 277 - 283 M12/M16	558304	M 12 / M 16	—	277 - 283	367	334	—	180	M 12	5.00	10
FRSM 300 M12/M16	505457	M 12 / M 16	—	297 - 304	387	354	40 x 4,0	192	M 12	5.00	10
FRSM 305 - 316 M12/M16	552858	M 12 / M 16	—	305 - 316	397	366	40 x 4,0	198	M 12	5.00	10
FRSM 12" M12/M16	505458	M 12 / M 16	12"	320 - 328	411	378	40 x 4,0	204	M 12	5.00	10
FRSM 348 - 356 M16	504594	M 16	—	348 - 356	480	403	50 x 5,0	213	M 16	8.00	1
FRSM 364 - 372 M16	504595	M 16	—	364 - 372	496	419	50 x 5,0	221	M 16	8.00	1
FRSM 400 - 409 M16	504596	M 16	—	400 - 409	533	456	50 x 5,0	240	M 16	8.00	1
FRSM 454 - 462 M16	504597	M 16	—	454 - 462	586	509	50 x 5,0	266	M 16	8.00	1
FRSM 500 - 508 M16	504598	M 16	—	500 - 508	632	555	50 x 5,0	290	M 16	8.00	1