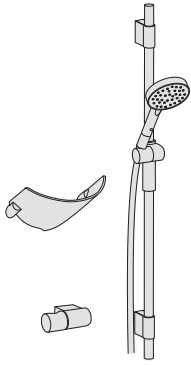




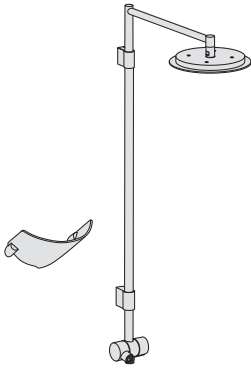
Installation and Maintenance Guide

Oras Hydra

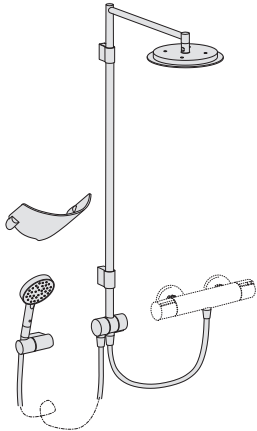
Water Is Worth Loving.



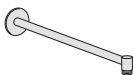
..... 4



..... 9



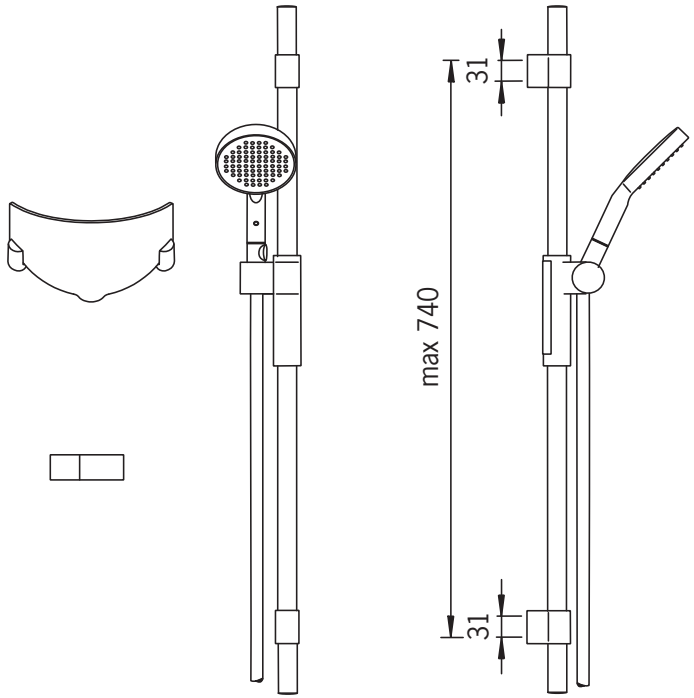
..... 9



..... 17

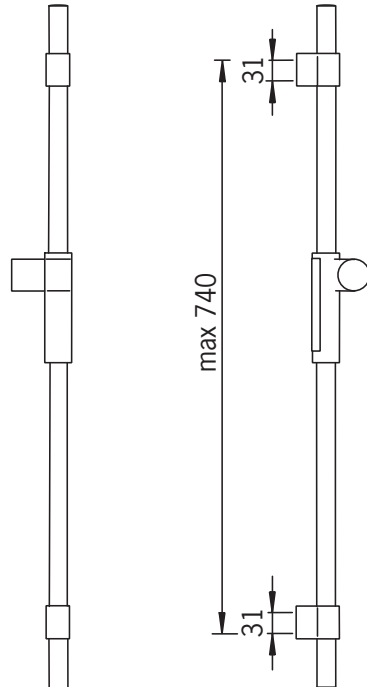
390

max. +65°C



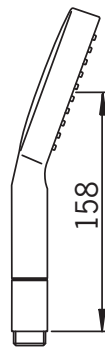
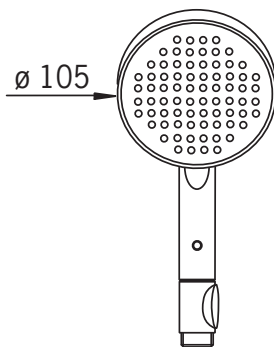
253180

max. +65°C



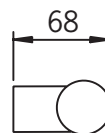
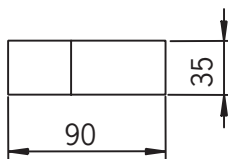
242080

max. +65°C



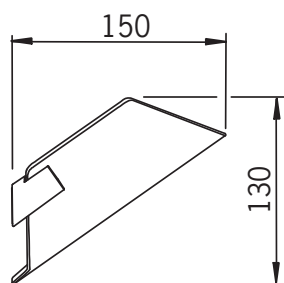
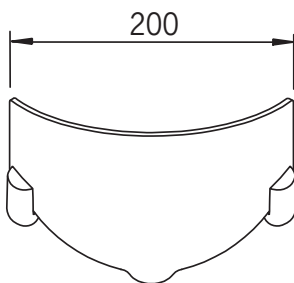
251080

max. +65°C







253080

max. +65°C

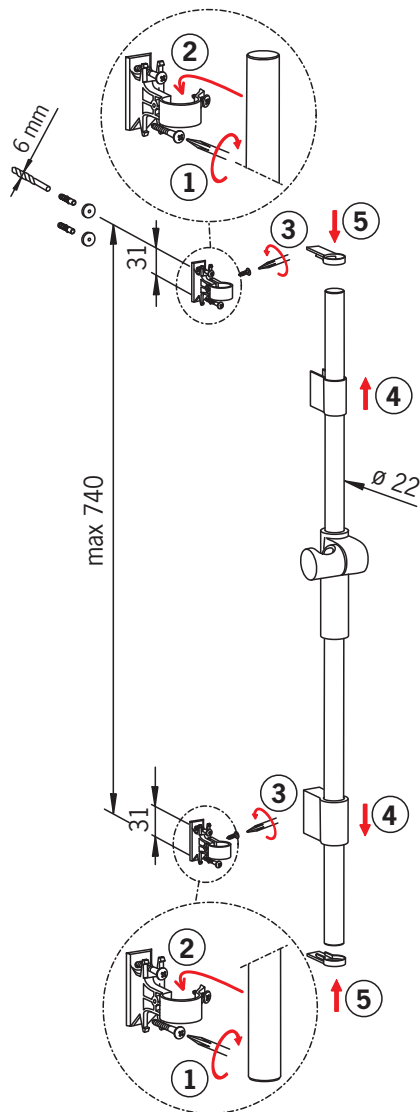


- ⒹⒺ **Montage**
- ⒼⒷ **Installation**
- ⒹⓀ **Installation**
- ⒺⓈ **Montaje**
- ⒺⒺ **Paigaldus**
- ⒻⒾ **Asennus**
- ⒼⒶ **Installatie**
- ⒻⓇ **Installation**
- ⒾⓉ **Montaggio**
- ⒻⓋ **Montāža**
- ⒻⓉ **Montavimas**
- ⒼⓃ **Montering**
- Ⓟ **Instalacja**
- ⓇⓊ **Установка**
- ⒺⒺ **Installation**
- ⒺⓀ **Inštalácia**
- ⒸⓏ **Montáž**

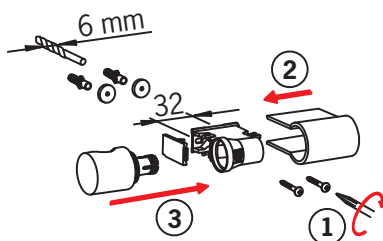
390

-  x 8
-  x 8
-  x 8
-  x 2

1

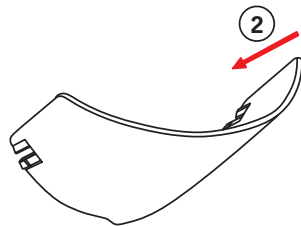
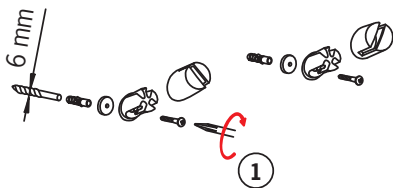


2

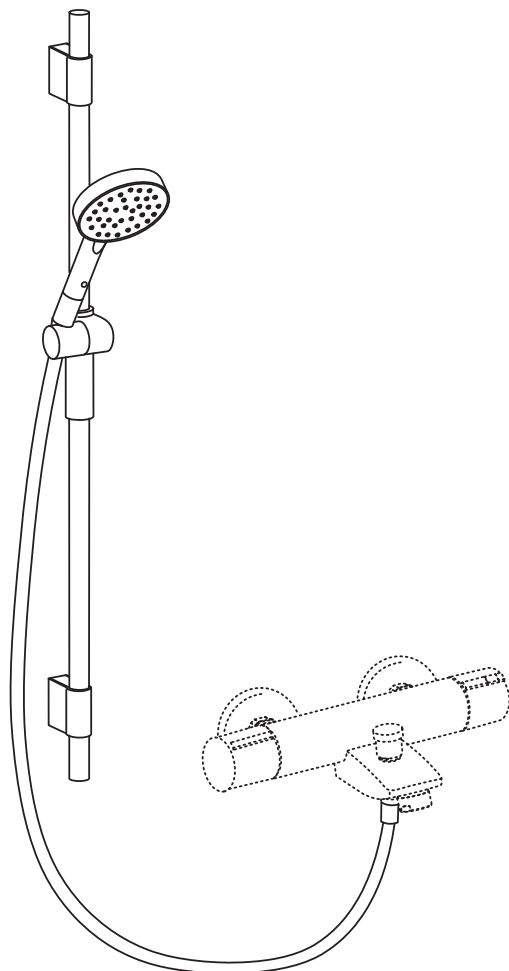
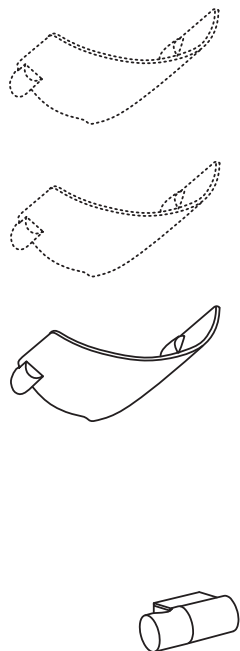


- (DE) Montage
- (GB) Installation
- (DK) Installation
- (ES) Montaje
- (EE) Paigaldus
- (FI) Asennus
- (NL) Installatie
- (FR) Installation
- (IT) Montaggio
- (LV) Montāža
- (LT) Montavimas
- (NO) Montering
- (PL) Instalacja
- (RU) Установка
- (SE) Installation
- (SK) Inštalácia
- (CZ) Montáž

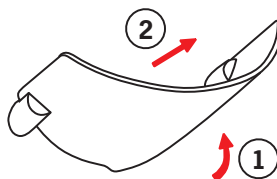
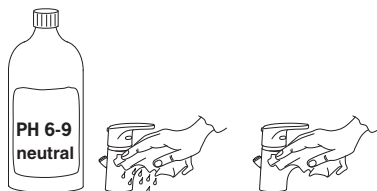
3



4



- ⒹE **Reinigung der Armatur**
- ⒼB **Cleaning the faucet**
- ⒹK **Rengøring af armaturet**
- ⒺS **Limpieza de la grifería**
- ⒺE **Puhastamine**
- ⒻI **Puhdistus**
- ⒼL **Reinigen van de kraan**
- ⒻR **Nettoyage du robinet**
- ⒻT **Pulizia della rubinetteria**
- ⒼV **Krāna tīrīšana**
- ⒻT **Ventilio valymas**
- ⒼO **Rengjøring av kranen**
- ⒼL **Czyszczenie baterii**
- ⒻU **Чистка смесителя**
- ⒺE **Rengöring av kranarna**
- ⒺK **Čistenie vodovodnej batérie**
- ⒸZ **Čištění baterie**




- Ⓓ🇪 **Montage**
- Ⓓ🇧 **Installation**
- Ⓓ🇰 **Installation**
- Ⓓ🇸 **Montaje**
- Ⓓ🇪 **Paigaldus**
- Ⓓ🇫 **Asennus**
- Ⓓ🇱 **Installatie**
- Ⓓ🇫 **Installation**
- Ⓓ🇮 **Montaggio**
- Ⓓ🇻 **Montāža**
- Ⓓ🇲 **Montavimas**
- Ⓓ🇳 **Montering**
- Ⓓ🇱 **Instalacja**
- Ⓓ🇺 **Установка**
- Ⓓ🇪 **Installation**
- Ⓓ🇰 **Inštalácia**
- Ⓓ🇿 **Montáž**

391

 x 4

 x 4

 x 4


 x 2

 x 1

392

 x 8

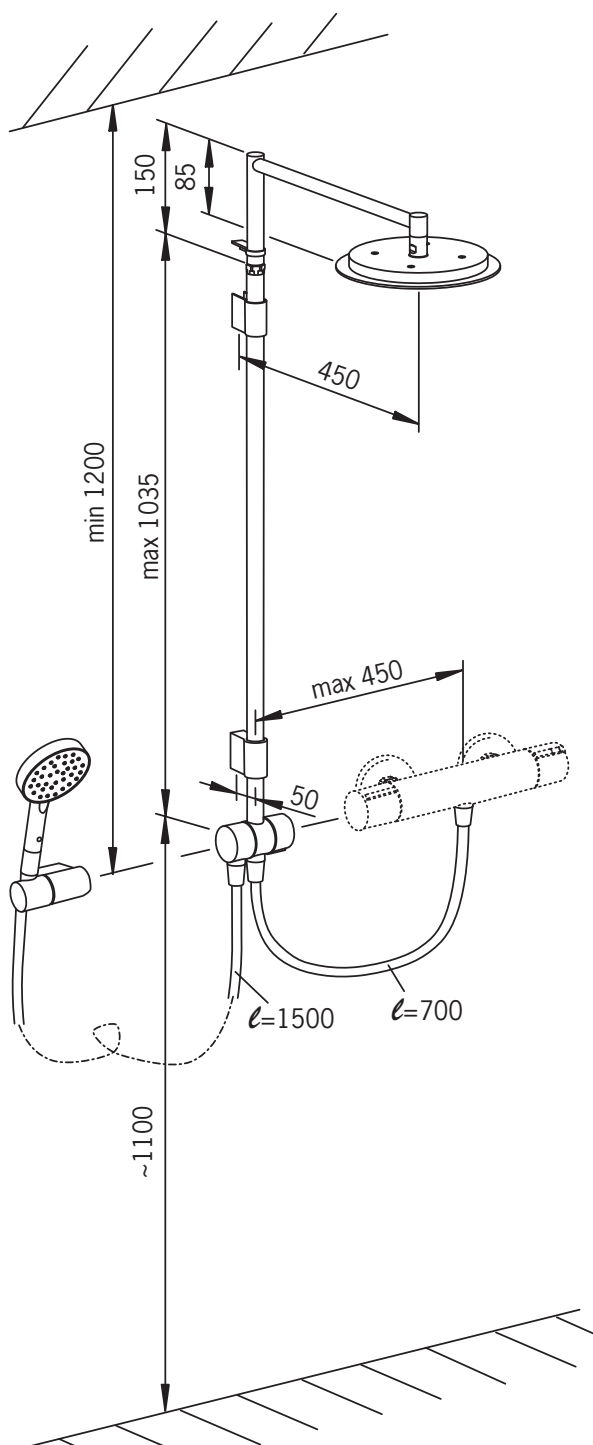
 x 8

 x 8

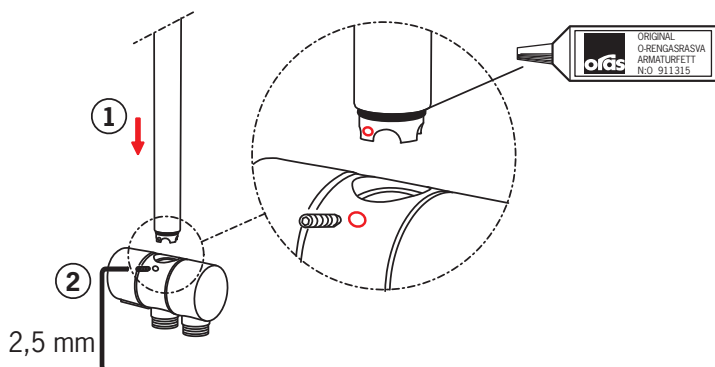
 x 2

 x 1

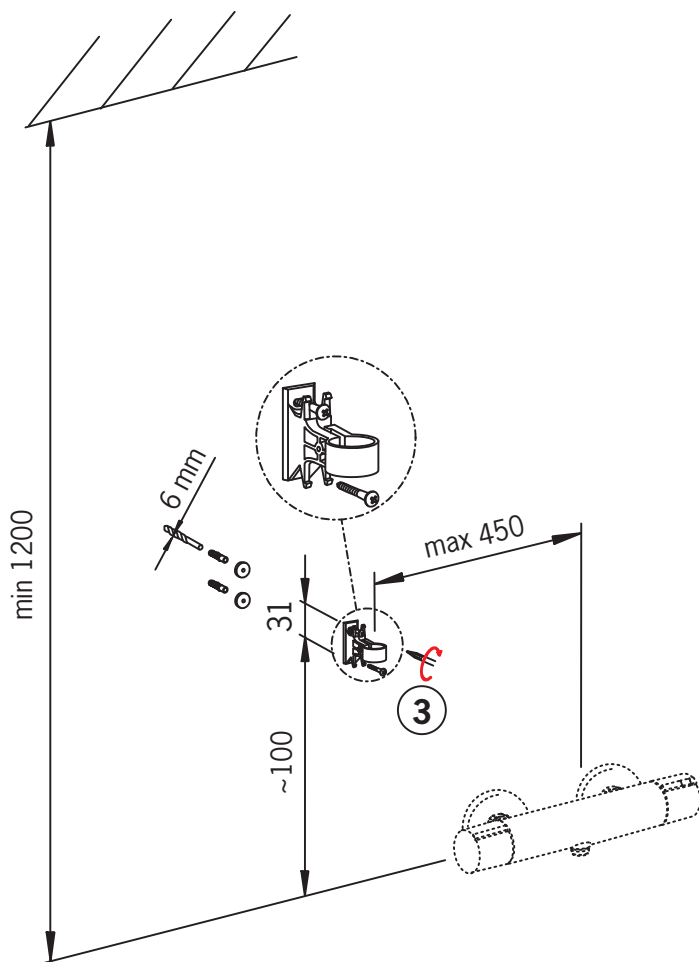
1

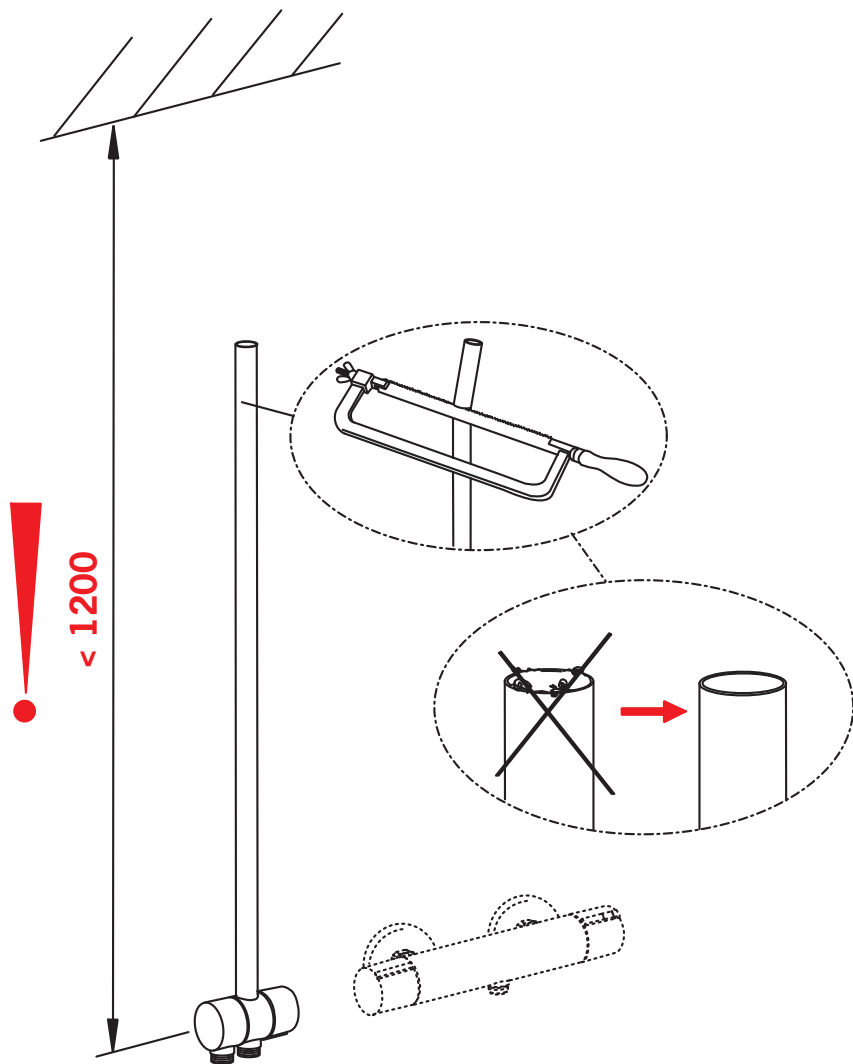


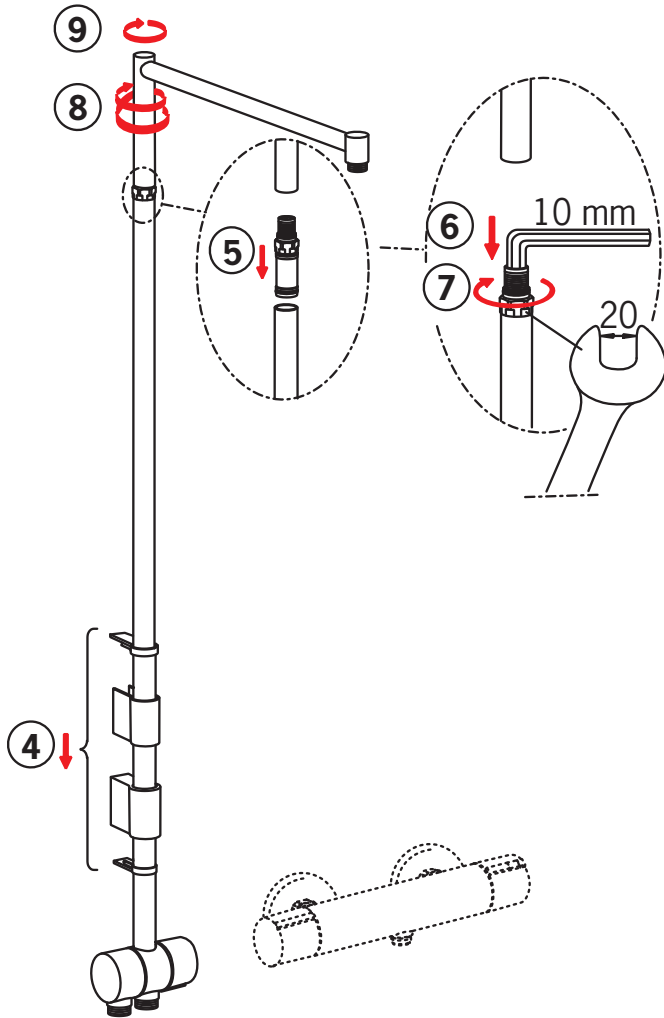
2

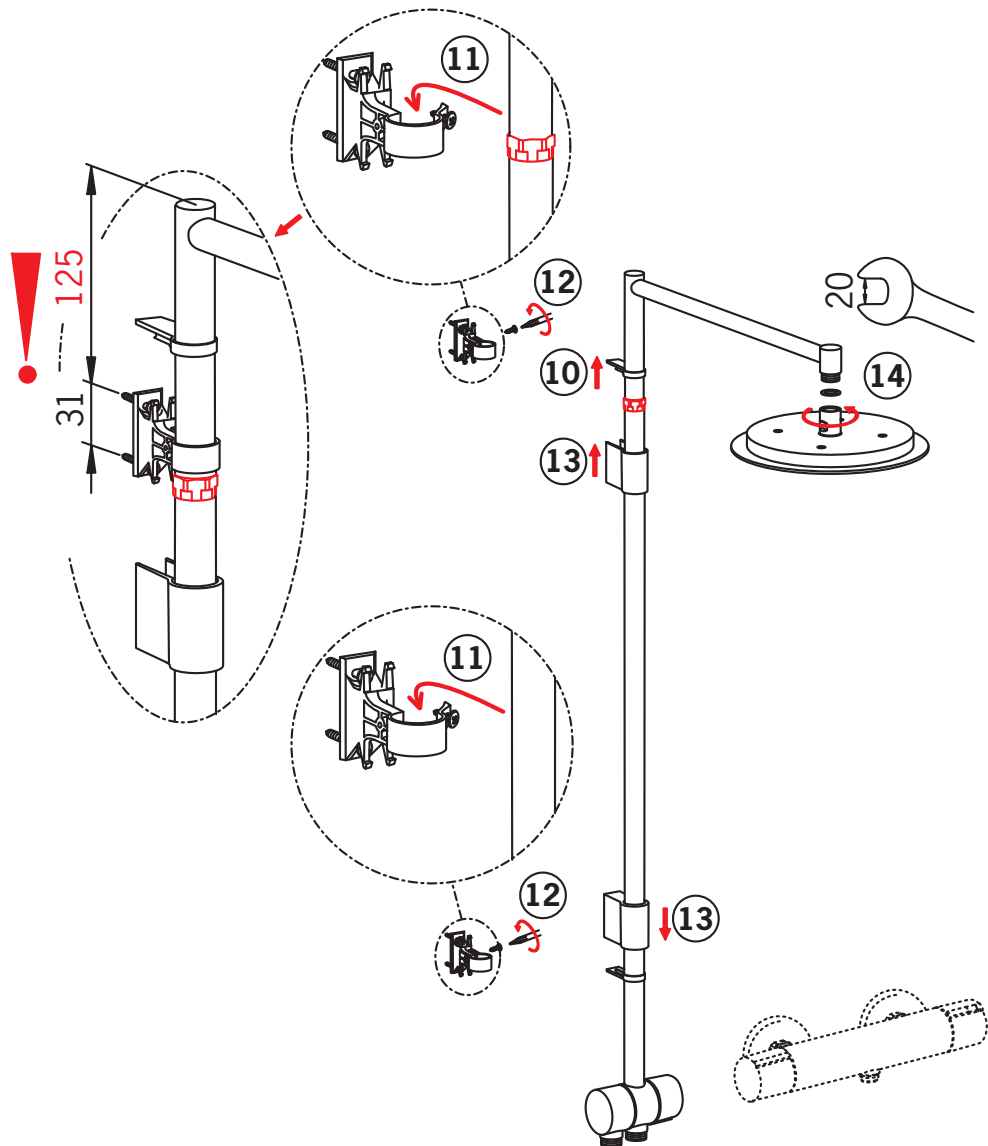


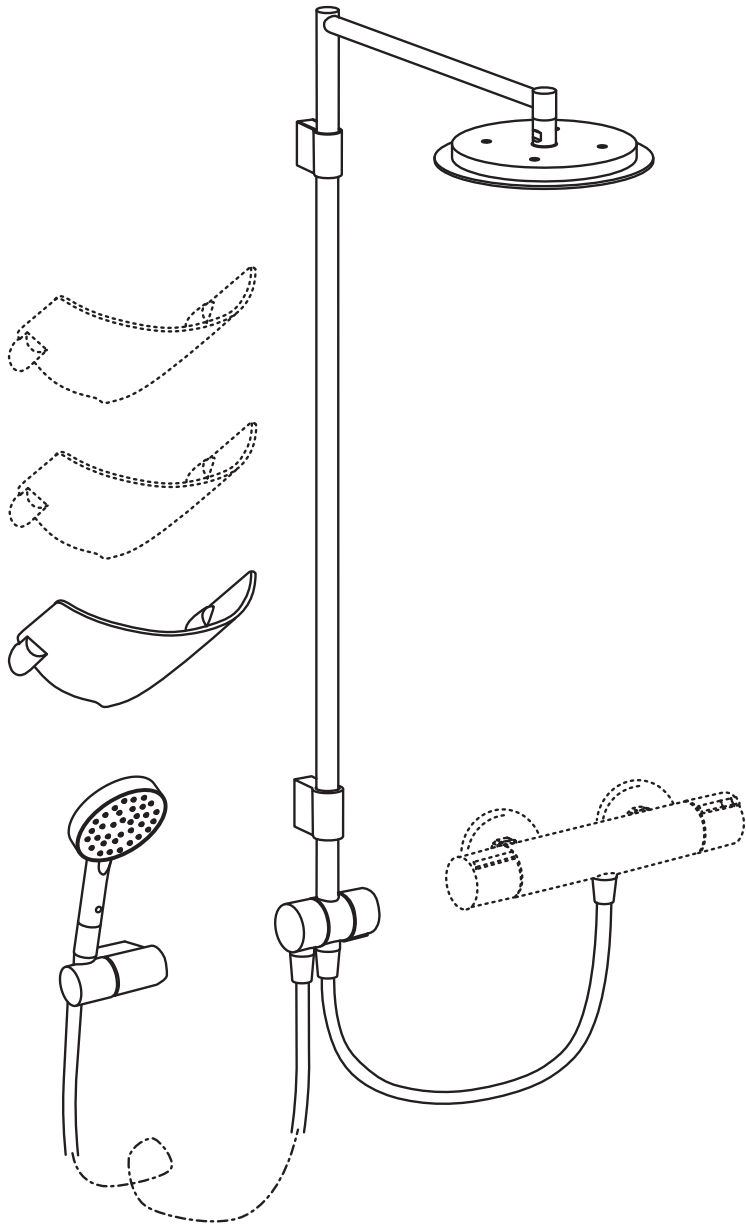
3





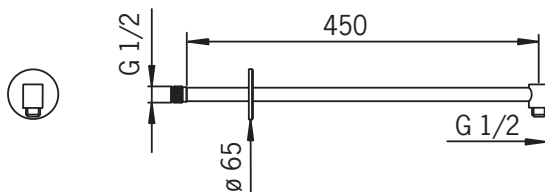






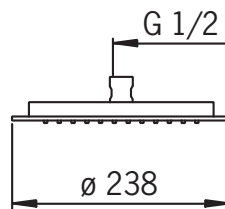
231041

max. +65°C

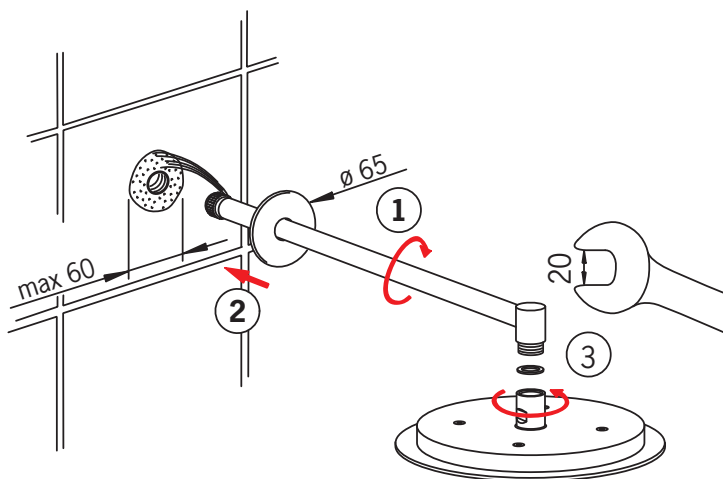


232080

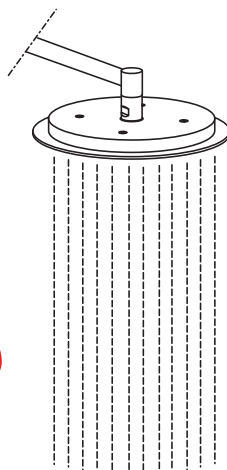
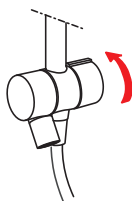
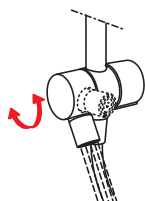
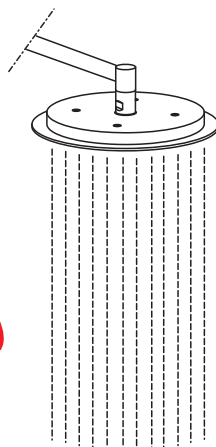
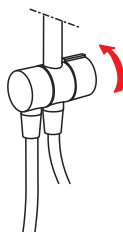
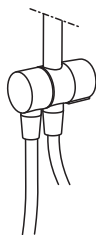
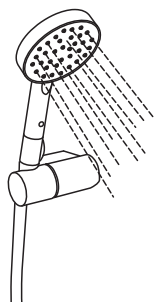
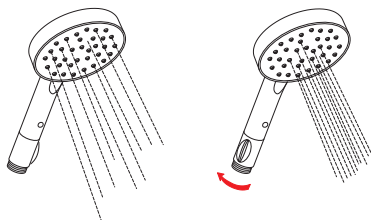
max. +65°C



- (DE) Montage
- (GB) Installation
- (DK) Installation
- (ES) Montaje
- (EE) Paigaldus
- (FI) Asennus
- (NL) Installatie
- (FR) Installation
- (IT) Montaggio
- (LV) Montāža
- (LT) Montavimas
- (NO) Montering
- (PL) Instalacja
- (RU) Установка
- (SE) Installation
- (SK) Inštalácia
- (CZ) Montáž



- Ⓓ🇪 **Funktion**
- Ⓓ🇬🇧 **Operation**
- Ⓓ🇩🇰 **Betjening**
- Ⓓ🇪🇸 **Servicio**
- Ⓓ🇪🇪 **Toimimine**
- Ⓓ🇫🇮 **Toiminta**
- Ⓓ🇳🇱 **Bediening**
- Ⓓ🇫🇷 **Utilisation**
- Ⓓ🇮🇹 **Funzionamento**
- Ⓓ🇱🇅 **Darbības princips**
- Ⓓ🇱🇹 **Veikimo principas**
- Ⓓ🇳🇴 **Funksjon**
- Ⓓ🇵🇱 **Działanie**
- Ⓓ🇷🇺 **Принцип действия**
- Ⓓ🇸🇪 **Funktion**
- Ⓓ🇸🇰 **Prevádzka**
- Ⓓ🇨🇏 **Funkce**



- Ⓛ DE **Ersatzteile**
- Ⓛ GB **Spare parts**
- Ⓛ DK **Reserve dele**
- Ⓛ ES **Piezas de recambio**
- Ⓛ EE **Varuosad**
- Ⓛ FI **Varaosat**
- Ⓛ NL **Reserve-onderdelen**
- Ⓛ FR **Pièces détachées**
- Ⓛ IT **Pezzi di ricambio**
- Ⓛ LV **Rezerves daļas**
- Ⓛ LT **Atsarginės dalys**
- Ⓛ NO **Reservedeler**
- Ⓛ PL **Części zamienne**
- Ⓛ RU **Запасные части**
- Ⓛ SE **Reservdelar**
- Ⓛ SK **Náhradné diely**
- Ⓛ CZ **Náhradní díly**

390

- 1 600378V
- 2 600356V



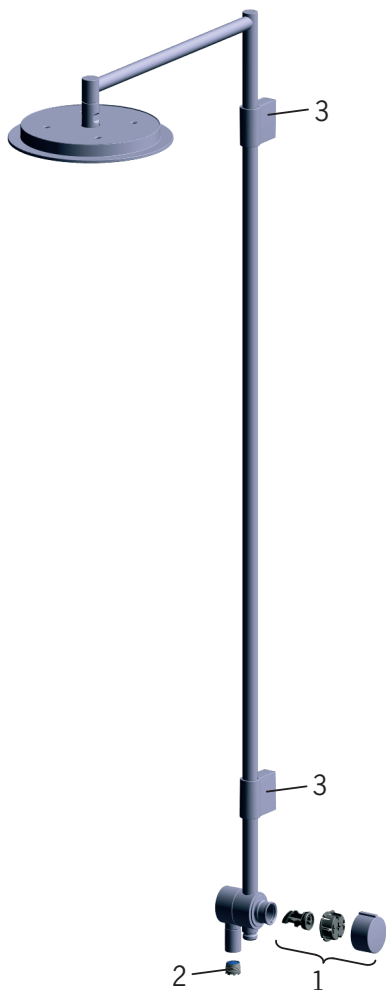
- ⒹⒺ **Ersatzteile**
- ⒼⒷ **Spare parts**
- ⒹⓀ **Reserve dele**
- ⒺⓈ **Piezas de recambio**
- ⒺⒺ **Varuosad**
- ⒻⒾ **Varaosat**
- ⒼⓁ **Reserve-onderdelen**
- ⒻⓇ **Pièces détachées**
- ⒻⓉ **Pezzi di ricambio**
- ⒻⓋ **Rezerves daļas**
- ⒻⓉ **Atsarginės dalys**
- ⒼⓃ **Reservedeler**
- ⒻⓁ **Części zamienne**
- ⒻⓇ **Запасные части**
- ⒺⒺ **Reservdelar**
- ⒺⓀ **Náhradné diely**
- ⒸⓏ **Náhradní díly**

391

1 600358V

2 600359V

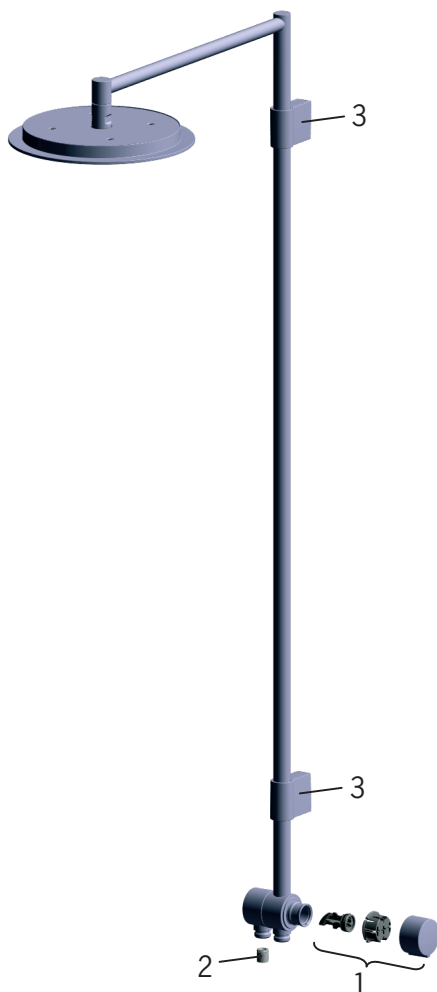
3 600356V



- ⒹⒺ **Ersatzteile**
- ⒼⒷ **Spare parts**
- ⒹⓀ **Reservedele**
- ⒺⓈ **Piezas de recambio**
- ⒺⒺ **Varuosad**
- ⒻⒾ **Varaosat**
- ⓃⒻ **Reserve-onderdelen**
- ⒻⓇ **Pièces détachées**
- ⒾⓉ **Pezzi di ricambio**
- ⒻⓋ **Rezerves daļas**
- ⒻⓉ **Atsarginės dalys**
- ⓃⓄ **Reservedeler**
- Ⓟ **Części zamienne**
- ⓇⓊ **Запасные части**
- ⓈⒺ **Reservdelar**
- ⓈⓀ **Náhradné diely**
- ⒸⓏ **Náhradní díly**

392

- 1 600358V
- 2 105311
- 3 600356V



Oras develops, manufactures and markets user-friendly and innovative faucet systems and the related valves and modules. The design and technical solutions of our products are driven by user-friendliness. Oras is the Nordic market leader and one of the Europe's largest manufacturers of faucets. The Oras Group has production facilities in Finland, Poland, and Norway. A large and versatile collection and alternatives for different purposes enable you to find the right faucet for every purpose. For the further details please apply to Oras web site at www.oras.com

Det Norske Veritas Certification OY/AB certifies that the Quality Management System of Oras Oy in Rauma Finland, conforms to the ISO 9001:2000 and the Environmental Management System to the ISO 14001:2004 standard. The certificates are valid for development, manufacture, marketing, sales and after sales services of faucets, accessories and valves.



The TÜV CERT Certification Body of TÜV NORD Zertifizierungs- und Umweltgutachter Gesellschaft mbH certifies that Oras Olesno Sp. z o.o. in Olesno Poland has established and applies Quality and Environmental Management System for manufacture, storage, marketing, sales and after sales services of faucets, valves and accessories. Proof has been provided that the requirements according to ISO 9001:2000 and ISO 14001:2004 are fulfilled.



ORAS GROUP

Isometsäntie 2, P.O. Box 40
FI-26101 Rauma
Finland
Tel. +358 (0)2 83 161
Fax +358 (0)2 831 6300
Info.Finland@oras.com



www.oras.com

943070/05/09